

[54] COMPACT

[76] Inventor: LeRoy Washington, Jr., 143
Ironwood Cir., Sierra Vista, Ariz.
85635

[**] Term: 14 Years

[21] Appl. No.: 283,073

[22] Filed: Jul. 13, 1981

[51] Int. Cl. D28-03

[52] U.S. Cl. D28/78; D4/18

[58] Field of Search D28/4, 5, 7, 73, 76-78,
D28/81, 83-91.1; D9/420, 423, 337, 338, 314,
413, 426; D4/17-20, 13, 24; D3/39; 132/79
R-79 D, 84 R, 79 F, 79 G, 82 R-82 G, 83 R-83
H, 84 B-84 D, DIG. 3; 401/118, 125, 129, 130,
195, 196, 198, 202, 261, 262, 266, DIG. 1

[56] References Cited

U.S. PATENT DOCUMENTS

D. 147,996 11/1947 Stacey et al. D4/18

2,534,100 12/1950 Baumgartner 132/84 R
2,576,551 11/1951 Waters 132/84 R
3,205,521 9/1965 McCaughey et al. 132/84 R

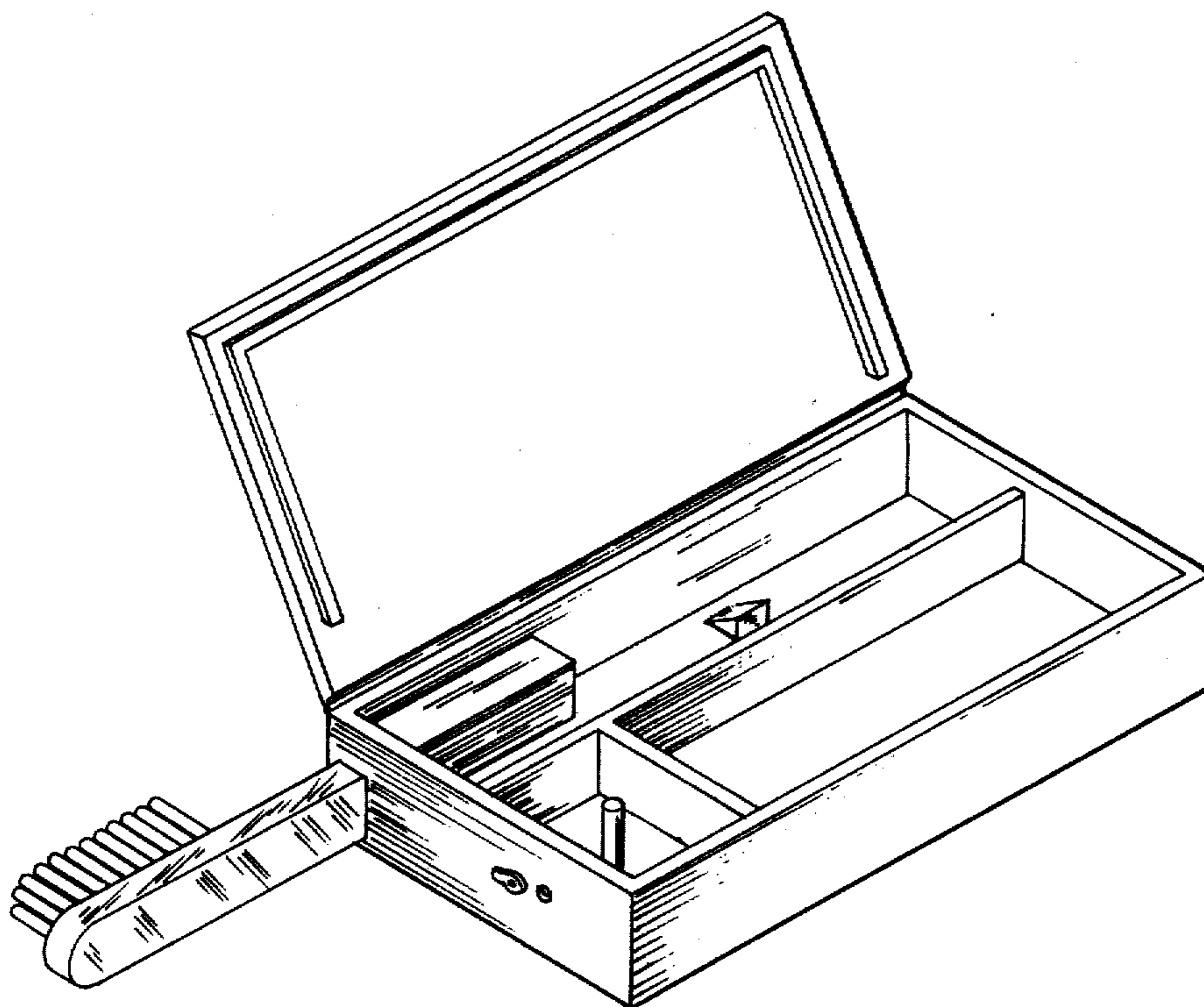
Primary Examiner—Louis S. Zarfes
Attorney, Agent, or Firm—John F. McClellan, Sr.

[57] CLAIM

The ornamental design for a compact, substantially as shown and described.

DESCRIPTION

FIG. 1 is a side elevational view of a compact showing my new design;
FIG. 2 is a top plan view thereof with the top open; a nail-like toothpick is shown symmetrically inserted in the end of the brush handle;
FIG. 3 is a top plan view with a brush portion of the invention deployed and the top closed;
FIG. 4 is a perspective view with the top open and a brush portion of the invention deployed; and
FIG. 5 is an end elevational view, the end opposite is similar but without an opening.



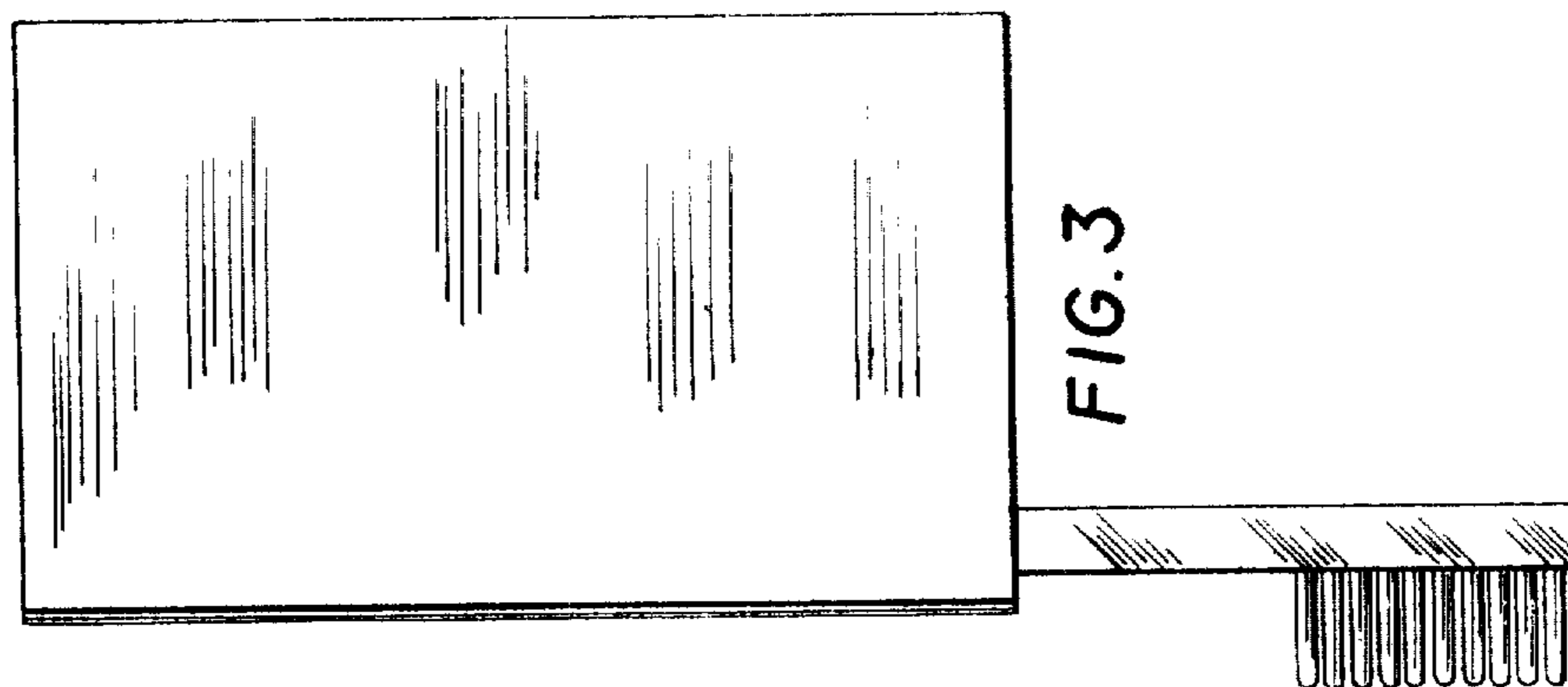


FIG. 3

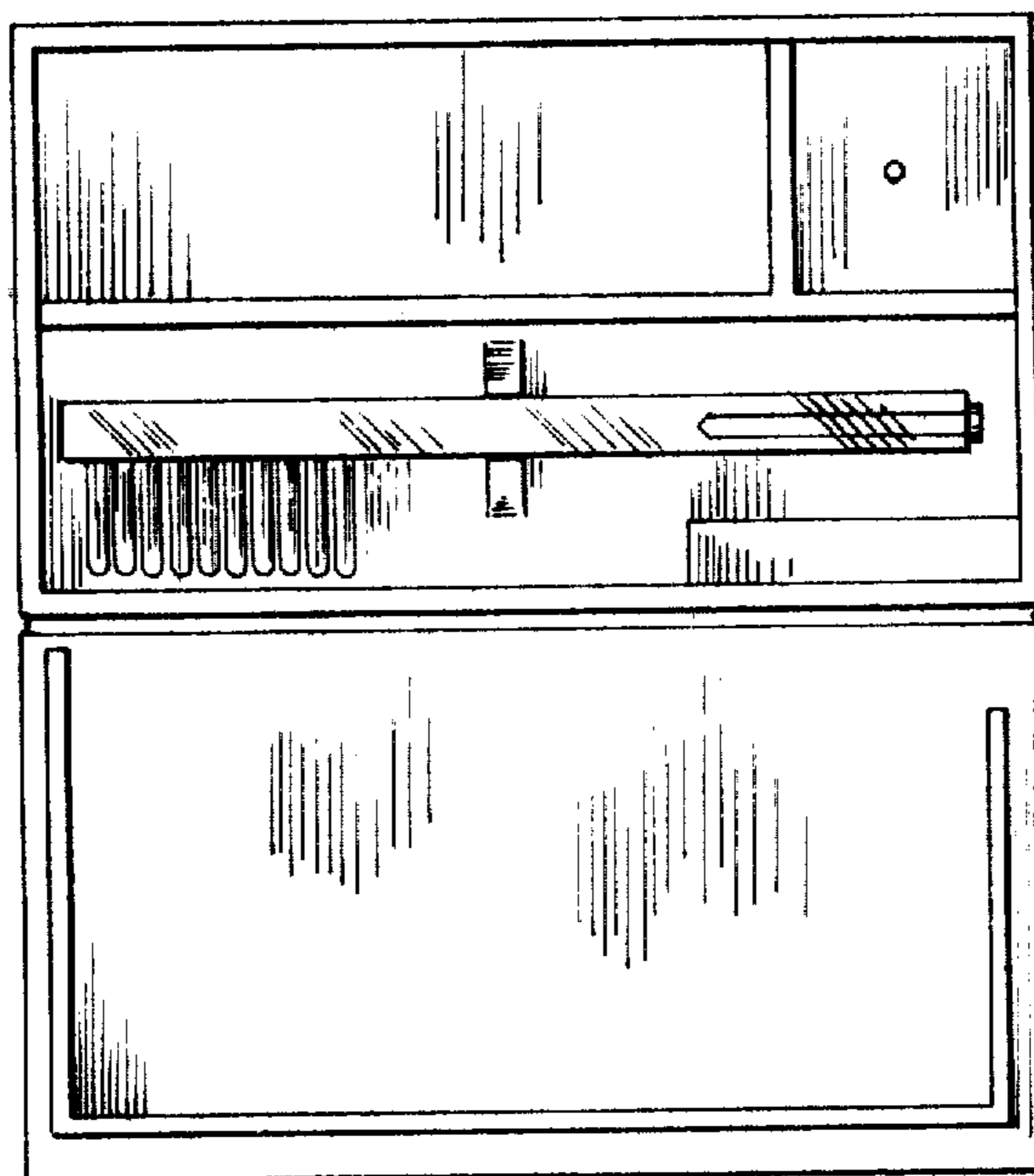


FIG. 2

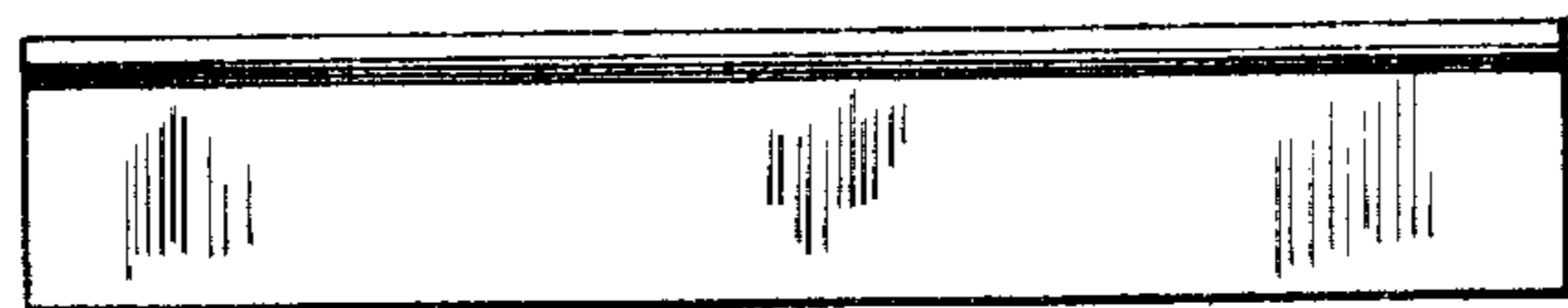


FIG. 1

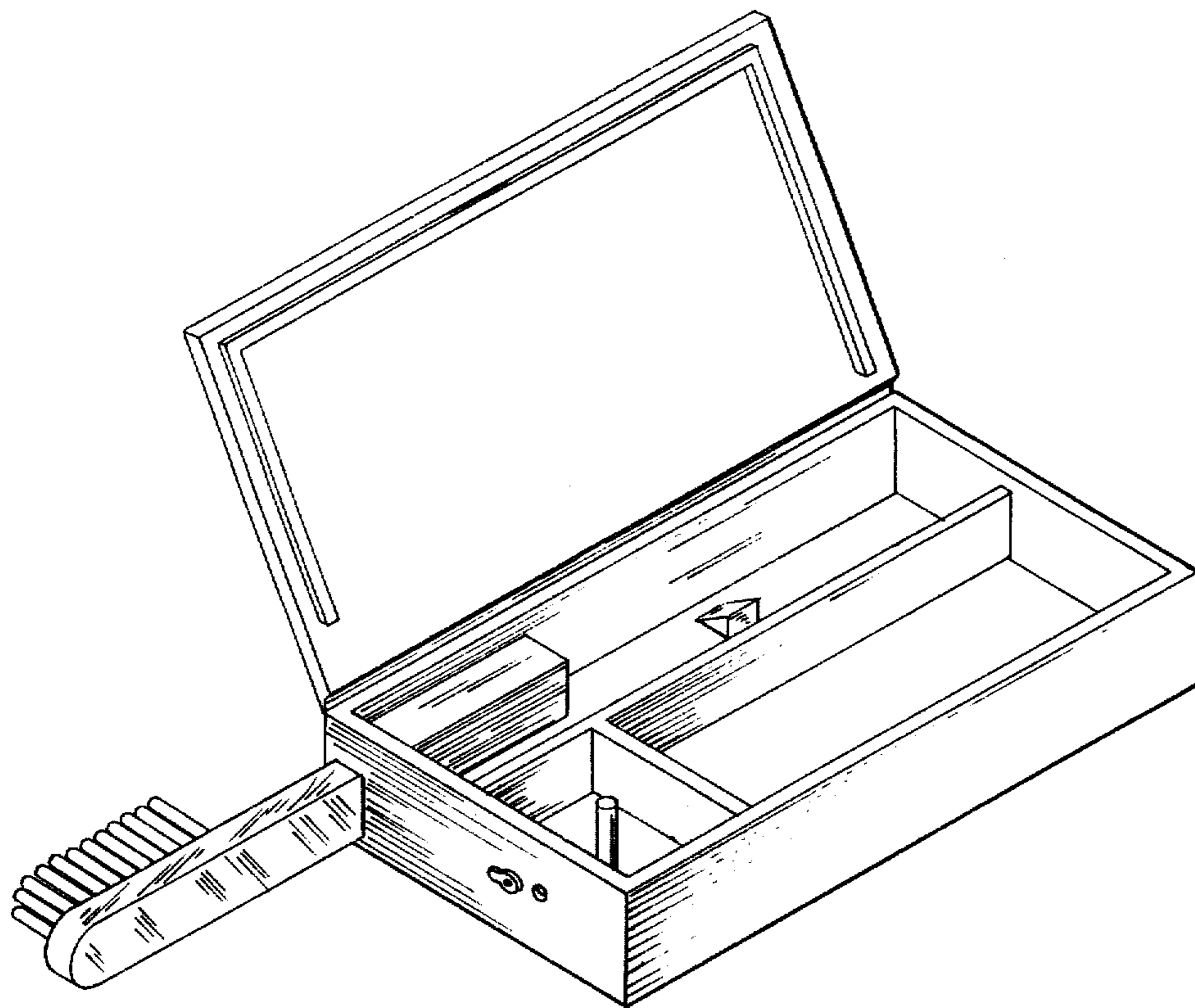


FIG. 4

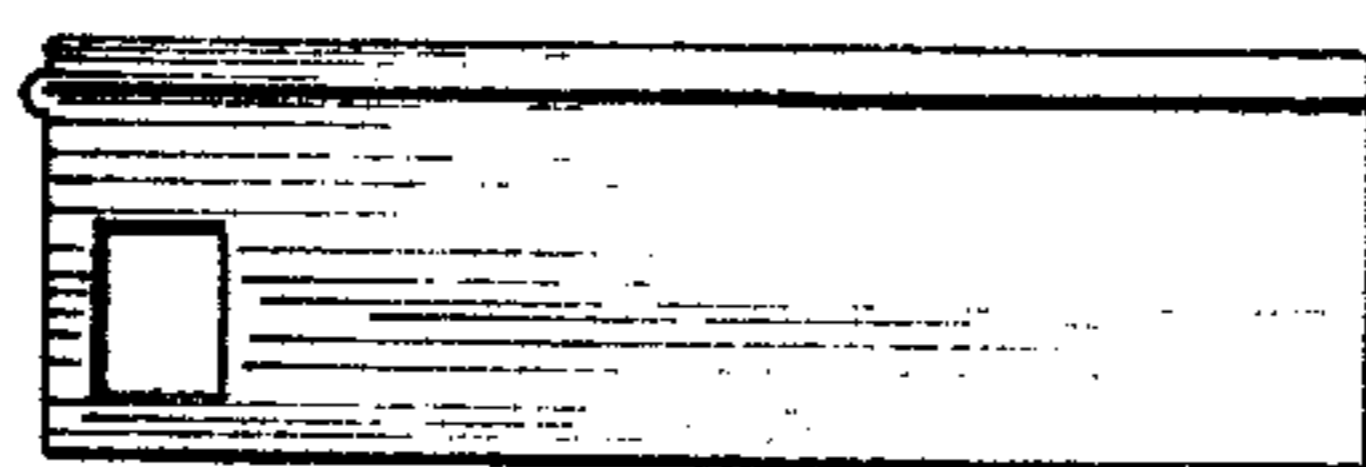


FIG. 5