

- [54] **TRUE GIMBALED MINER'S LAMP**
- [76] **Inventor:** Richard A. Schuler, Streetroad, Ticonderoga, N.Y. 12883
- [**] **Term:** 14 Years
- [21] **Appl. No.:** 242,068
- [22] **Filed:** Mar. 9, 1981
- [51] **Int. Cl.** D26—05
- [52] **U.S. Cl.** D26/87; D26/65; D26/72
- [58] **Field of Search** D26/65, 37, 87, 93, D26/104, 105, 106, 107, 110, 111, 112, 113, 114, 117, 72; 362/161, 163, 179, 180, 426, 427, 432; 248/180, 182

- [56] **References Cited**
- FOREIGN PATENT DOCUMENTS**
- 13719 6/1881 Fed. Rep. of Germany 431/293

OTHER PUBLICATIONS

Norm Thompson Catalog, Spring & Summer 1977, p. 48, Kerosene Lamp.

Primary Examiner—Susan J. Lucas
Attorney, Agent, or Firm—Heslin & Watts

[57] **CLAIM**

The ornamental design for a true gimbaled miner's lamp, as shown and described.

DESCRIPTION

FIG. 1 is a front elevational view of the true gimbaled miner's lamp, showing my new design; FIG. 2 is a top plan view of the lamp; FIG. 3 is a perspective view from the right front side of the lamp.

A perspective view from the front left of the lamp would be a mirror image of FIG. 3. The bottom of the lamp is flat, as is the back of the wall bracket.

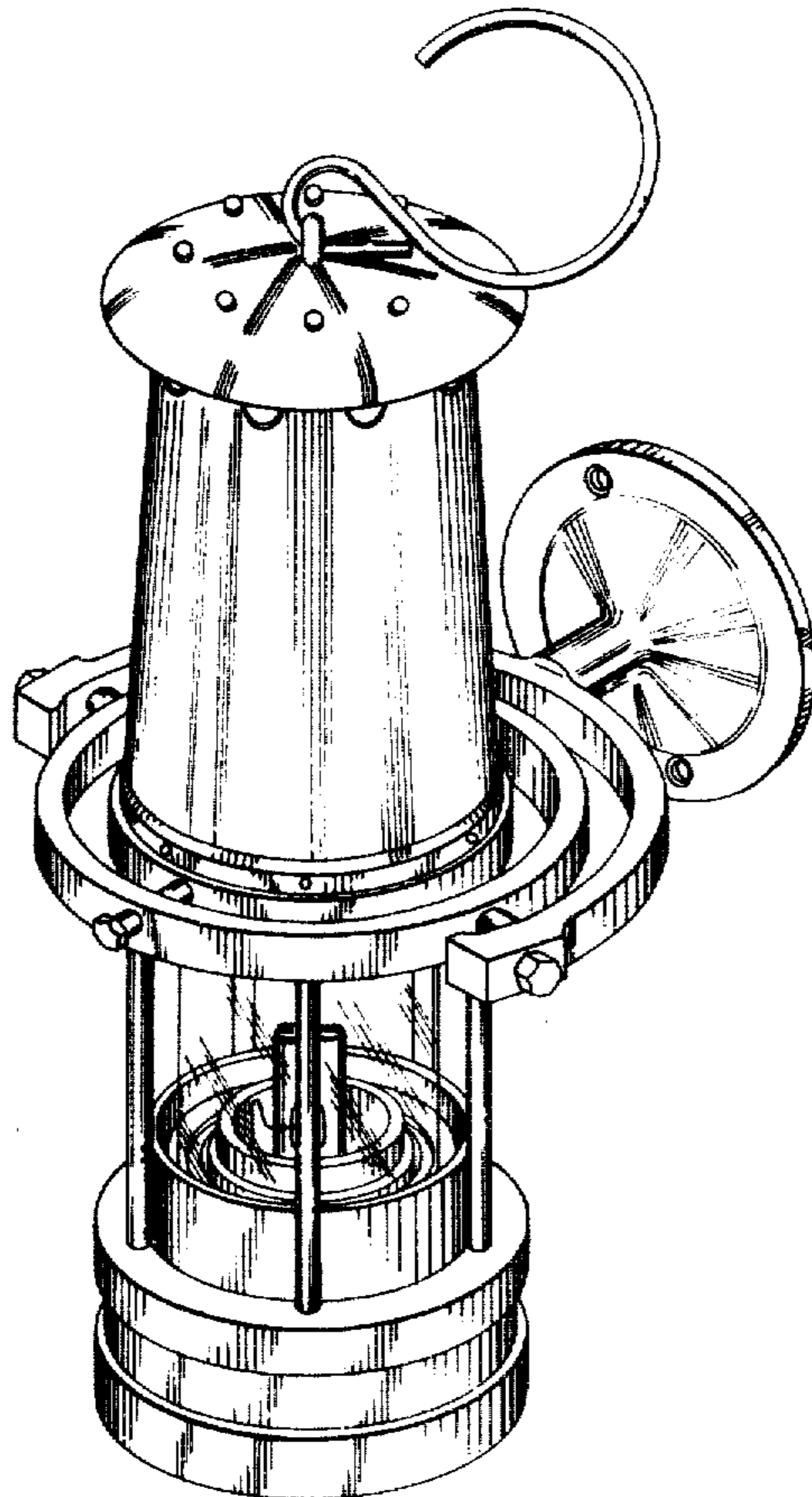
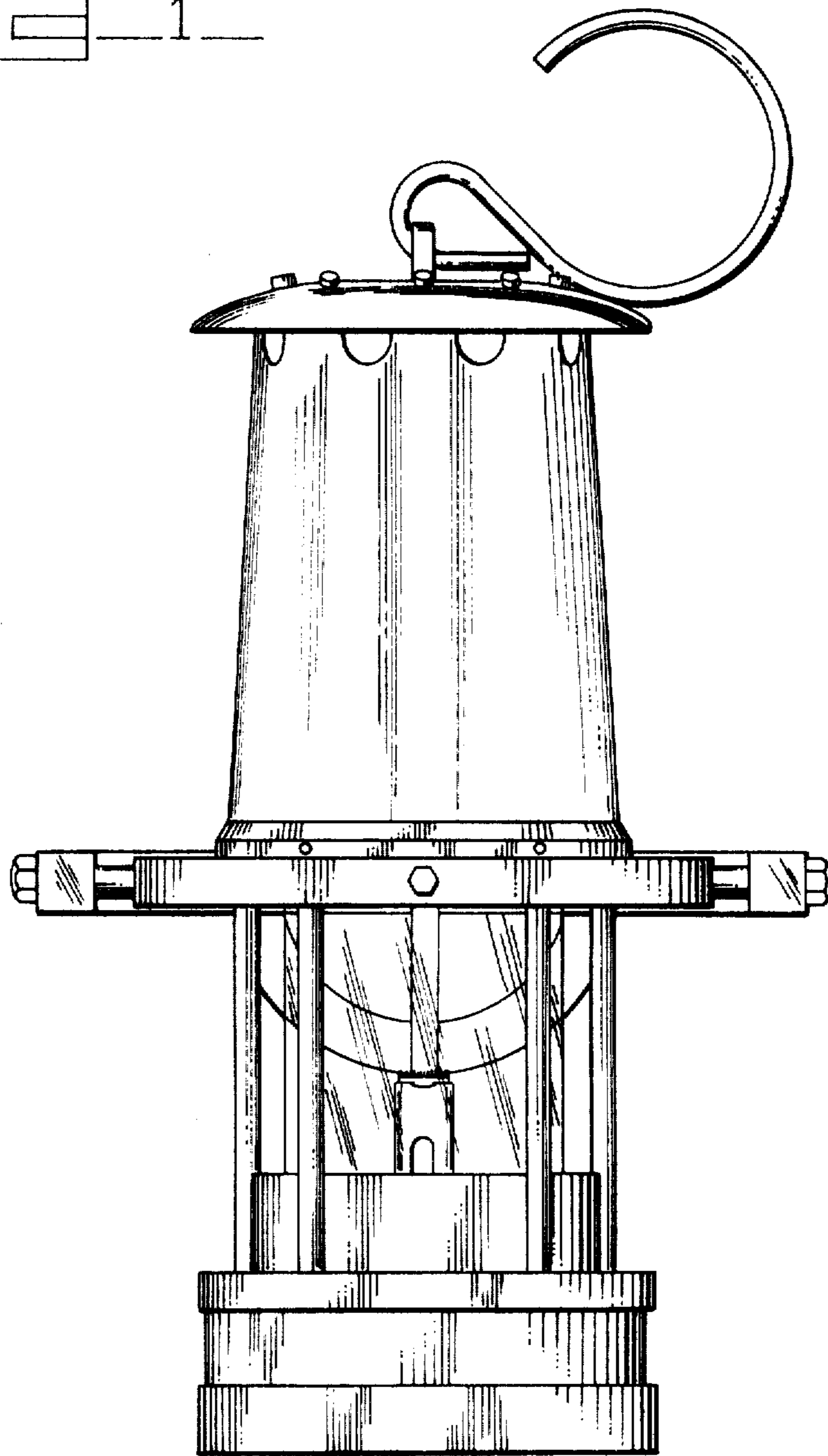


Fig 1



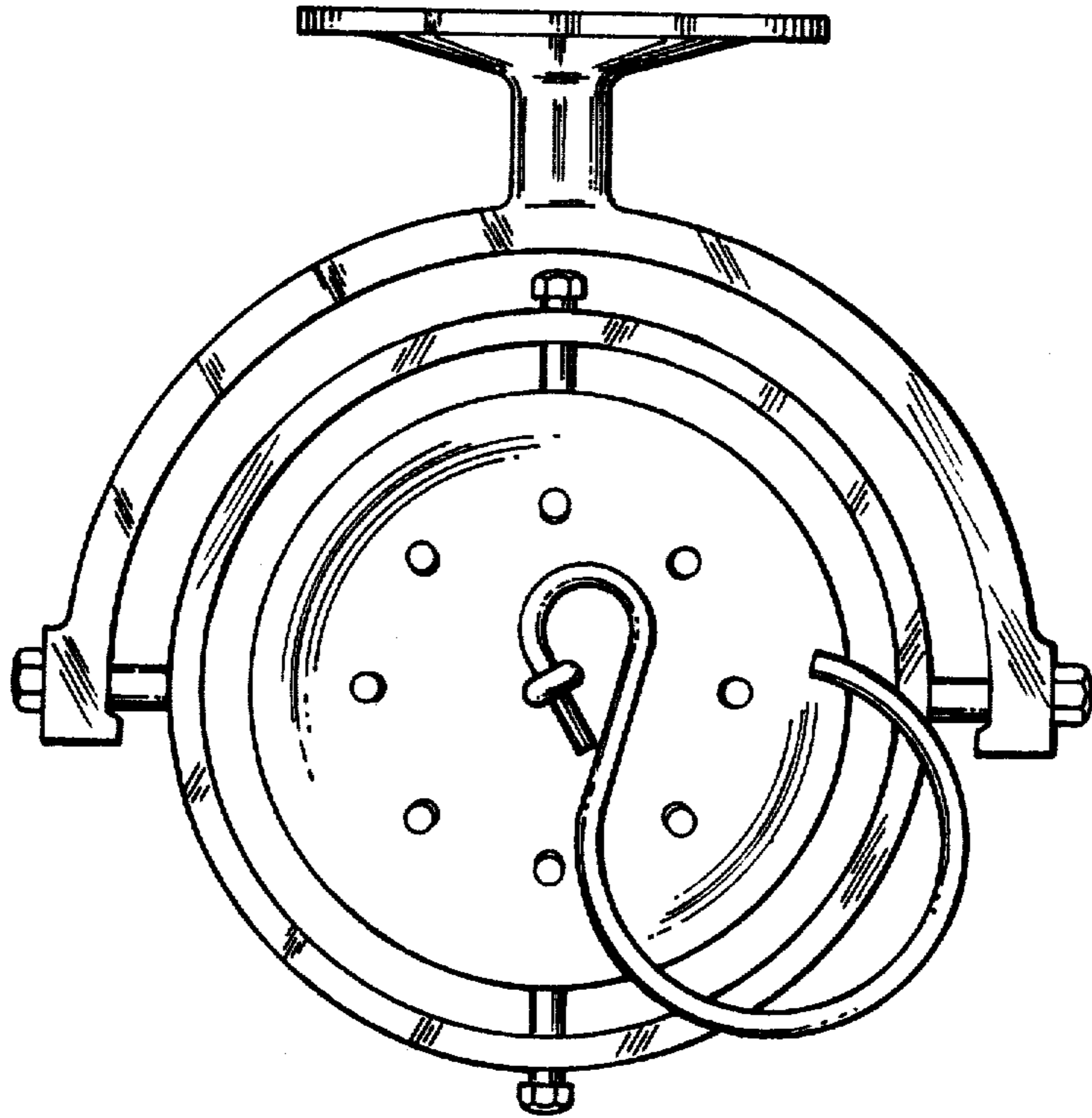


Fig. 2

