

[54] PILE SHOE

[75] Inventor: Erik Larsson, Oxelösund, Sweden

[73] Assignee: Aktiebolaget Gustavsberg, Gustavsberg, Sweden

[**] Term: 14 Years

[21] Appl. No.: 313,683

[22] Filed: Oct. 21, 1981

[30] Foreign Application Priority Data

Apr. 29, 1981 [SE] Sweden 81-1055

[51] Int. Cl. D25-01

[52] U.S. Cl. D25/77; D8/349; D8/386

[58] Field of Search 405/255, 231, 228; 52/300; D25/77; D8/386, 349

[56] References Cited

U.S. PATENT DOCUMENTS

D. 262,093	12/1981	Bush et al.	D8/386
637,728	11/1899	Goldberger	405/255
3,075,358	1/1963	Becker et al.	405/255
3,514,959	6/1970	Dougherty, Jr.	405/255

Primary Examiner—A. Hugo Word

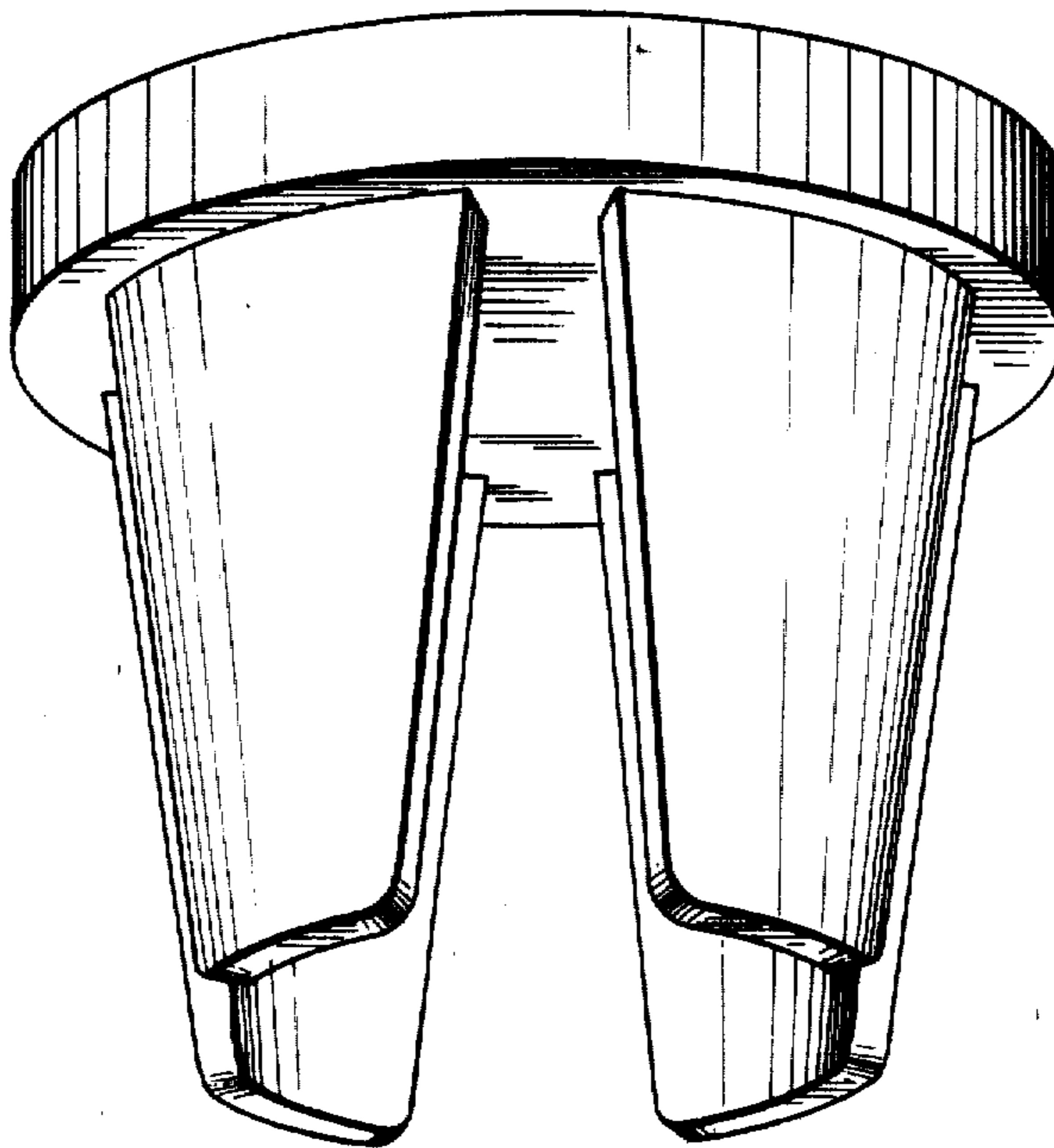
Attorney, Agent, or Firm—Toren, McGeady and Stanger

[57] CLAIM

The ornamental design for pile shoe, substantially as shown.

DESCRIPTION

FIG. 1 is a top perspective view of a pile shoe showing my new design, FIG. 2 is a bottom perspective view taken from the opposite side as in FIG. 1.



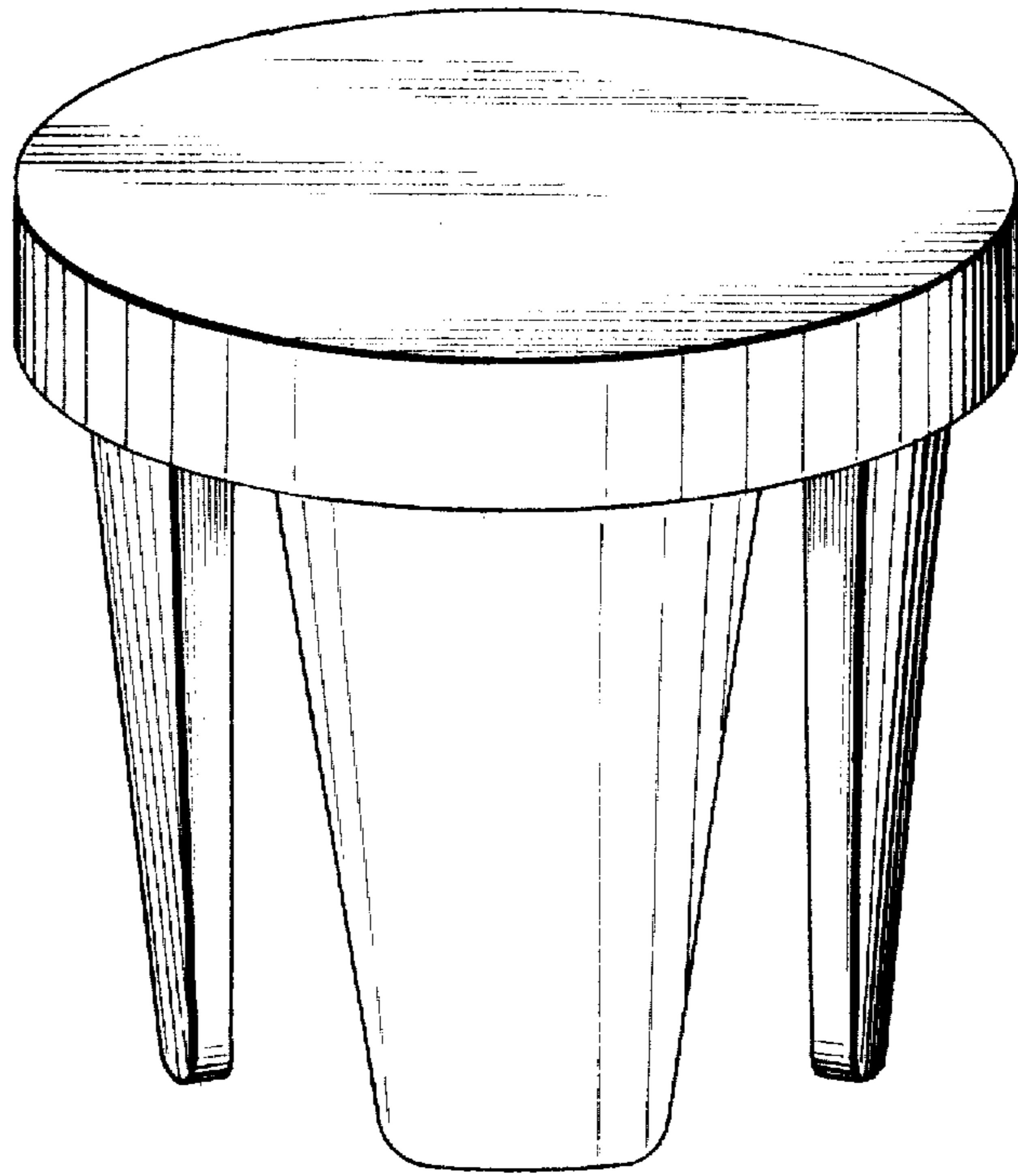


FIG. 1

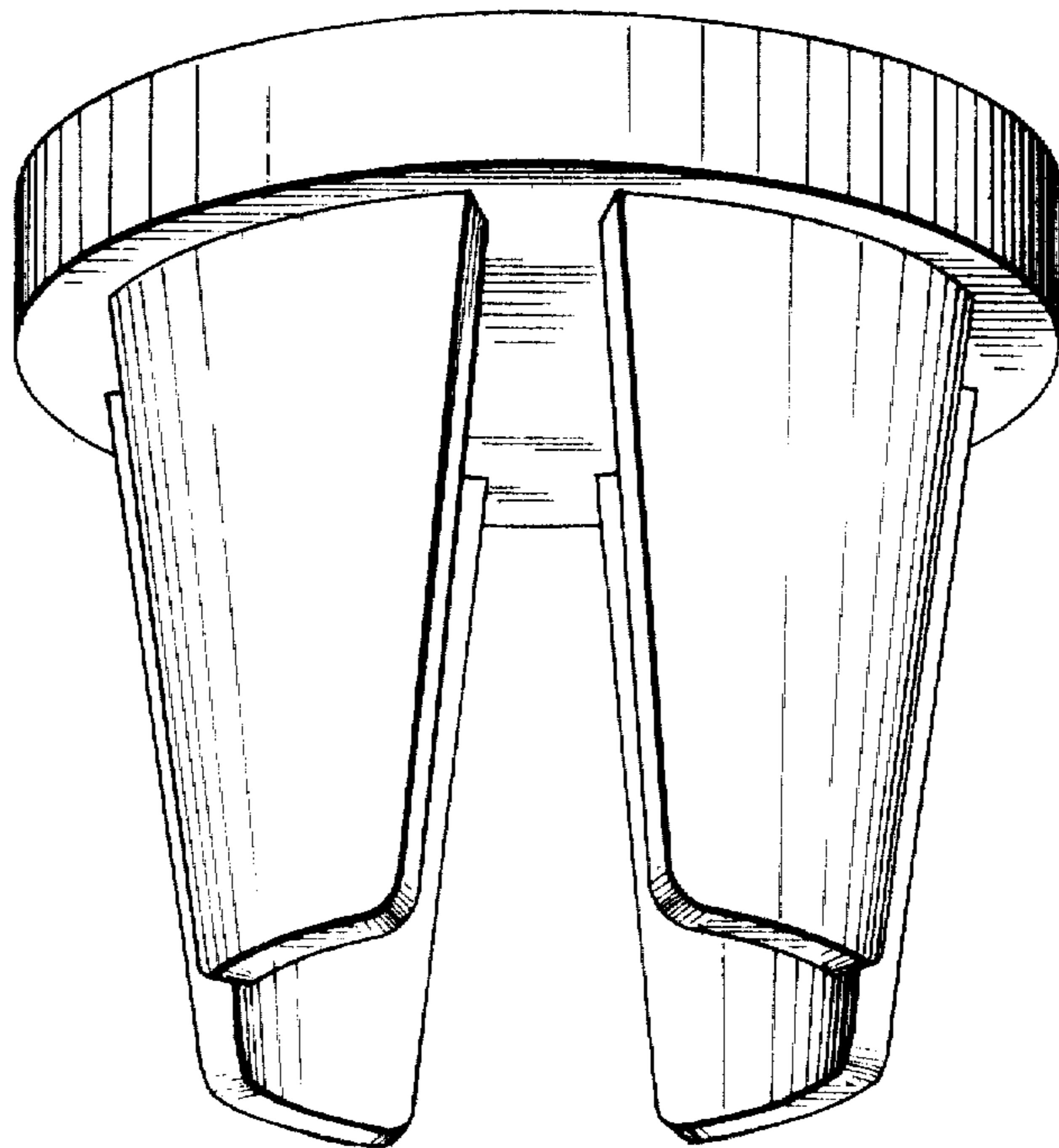


FIG. 2