

[54] CERVICAL TRACTION UNIT
 [76] Inventor: Frank J. Nightingale, 3791 32nd St.,
 San Diego, Calif. 92104
 [**] Term: 14 Years
 [21] Appl. No.: 271,597
 [22] Filed: Jun. 8, 1981
 [51] Int. Cl. D24-04
 [52] U.S. Cl. D24/64; D24/34
 [58] Field of Search 128/75; D24/64, 33,
 D24/34, 49; 297/455, 352; 5/500, 484

3,720,965 3/1973 Wright 297/352
 4,166,459 9/1979 Nightingale 128/75
 4,194,501 3/1980 Watt 128/75
 4,245,627 1/1981 Mignard 128/75 X

Primary Examiner—Bernard Ansher
 Attorney, Agent, or Firm—Brown & Martin

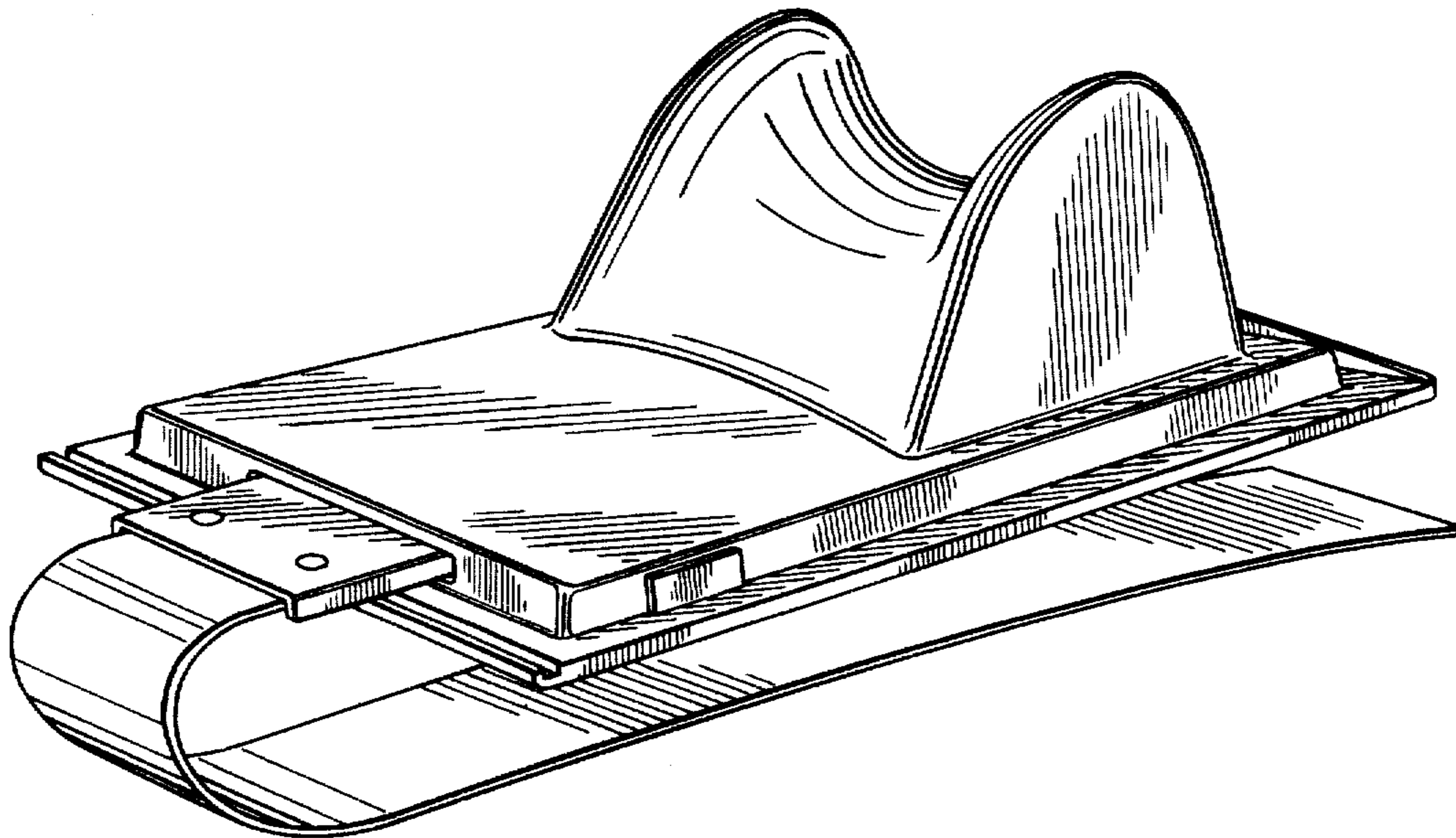
[57] CLAIM

The ornamental design for a cervical traction unit, substantially as shown.

DESCRIPTION

FIG. 1 is a perspective view of a cervical traction unit, showing my new design;
 FIG. 2 is a rear elevational view thereof;
 FIG. 3 is a side elevational view thereof;
 FIG. 4 is a top plan view thereof on a reduced scale; and
 FIG. 5 is an underside view thereof on a reduced scale.

[56] References Cited
 U.S. PATENT DOCUMENTS
 D. 229,359 11/1973 Nightingale D24/64
 3,599,632 8/1971 Childers 128/75



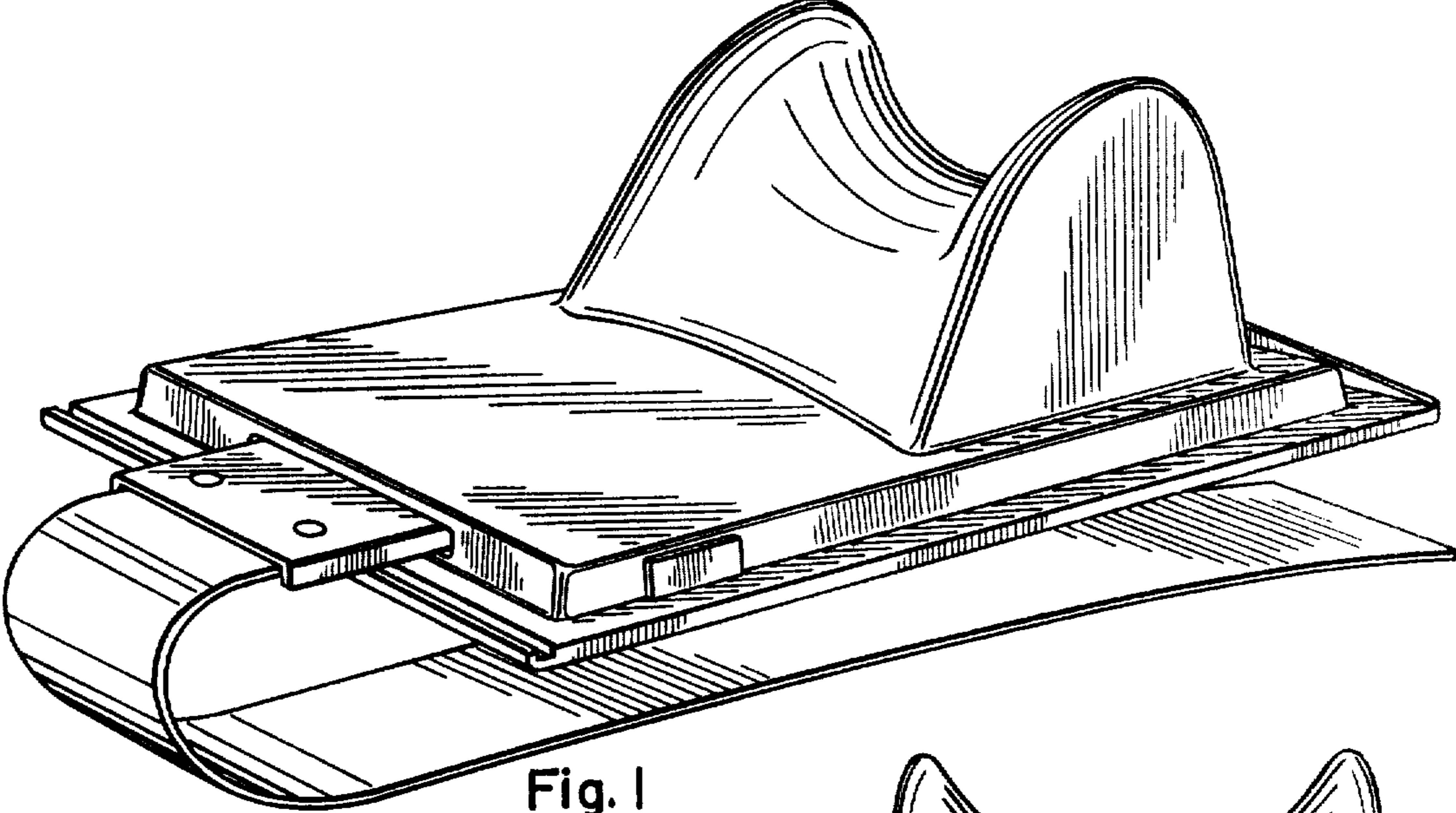


Fig. 1

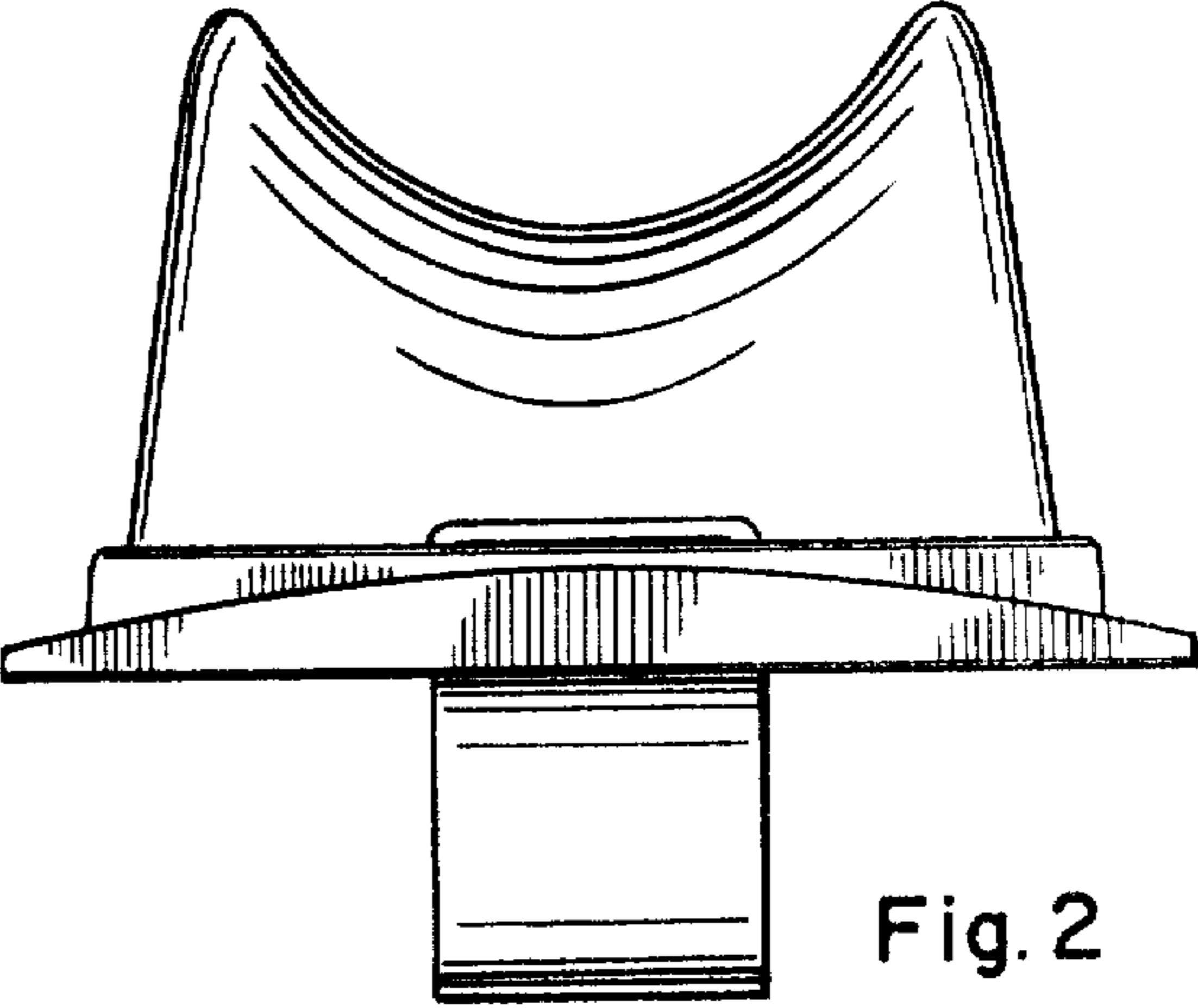


Fig. 2

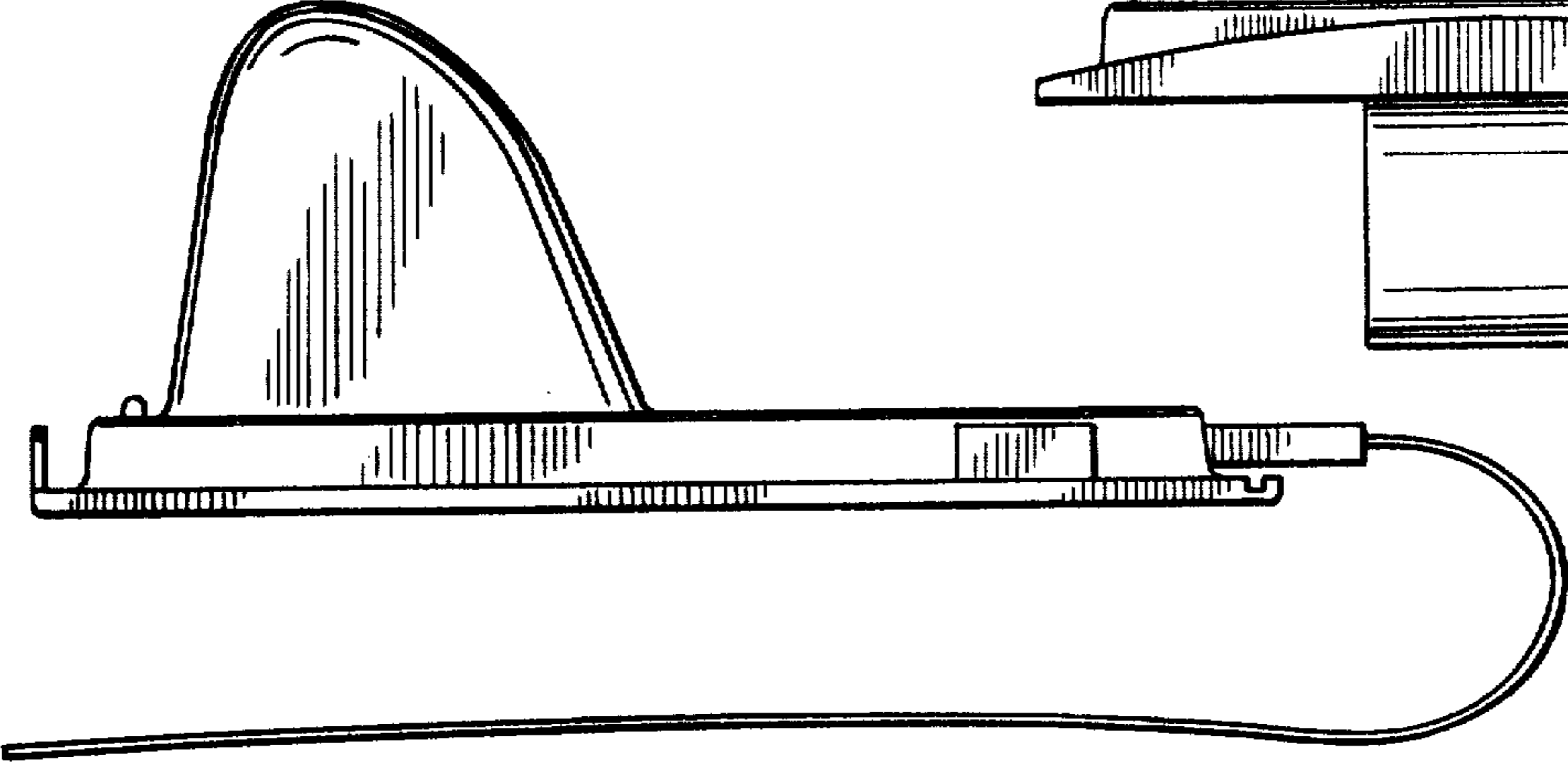


Fig. 3

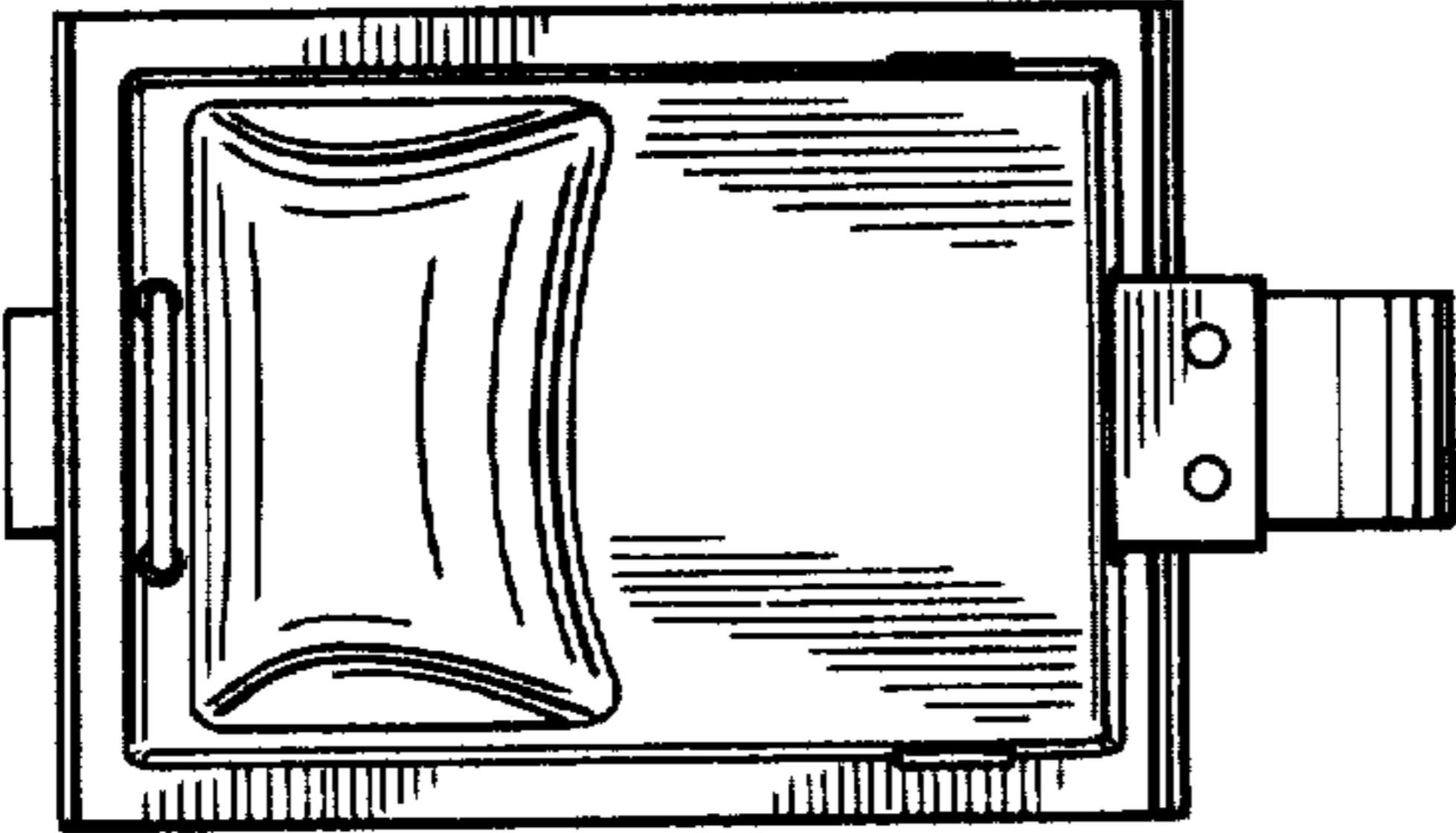


Fig. 4

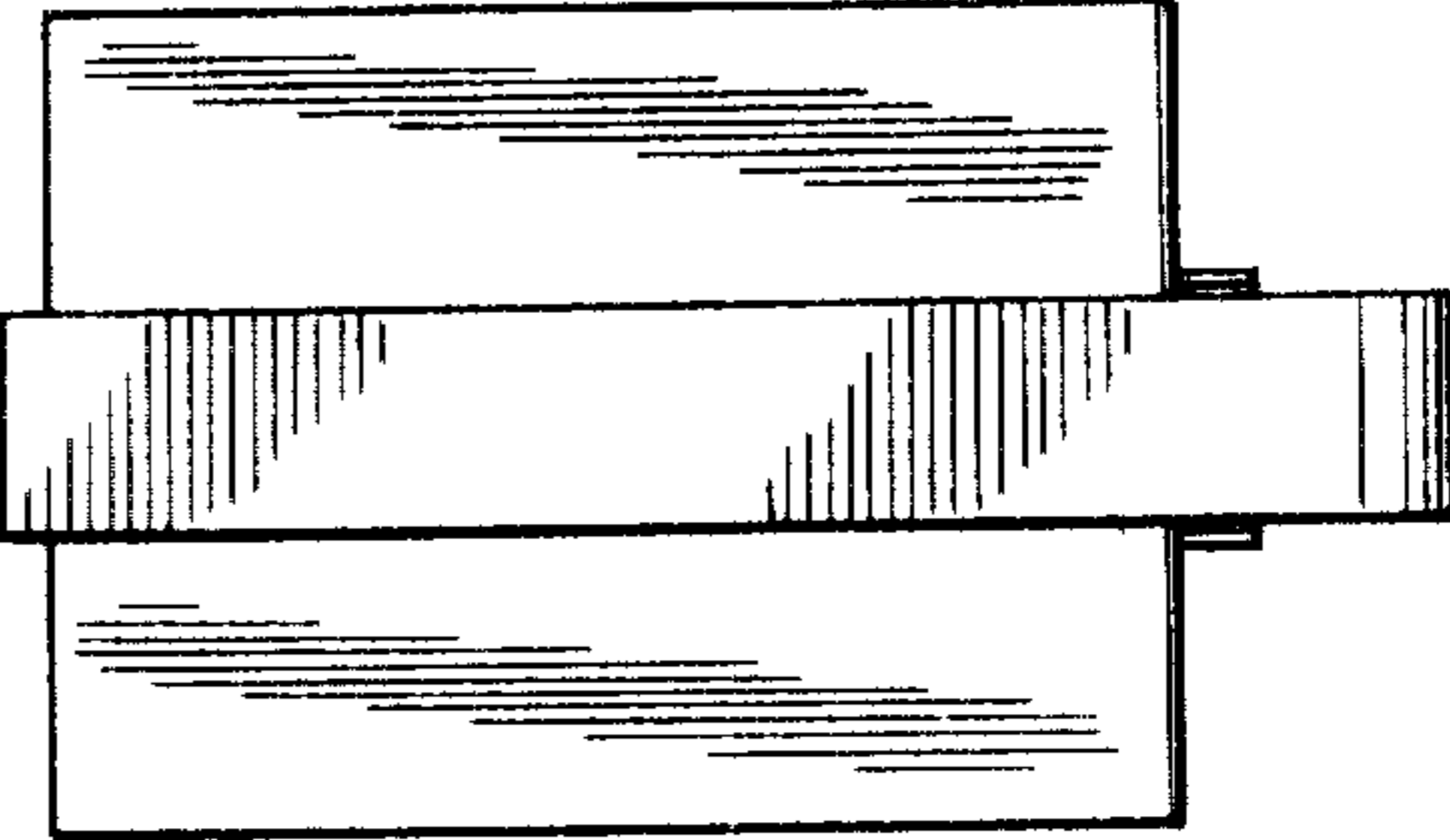


Fig. 5