

[54] TOP FOR A LAVATORY OR SIMILAR ARTICLE

[75] Inventor: Henry M. Stairs, Jr., Neshanic, N.J.

[73] Assignee: American Standard Inc., New York, N.Y.

[\*\*] Term: 14 Years

[21] Appl. No.: 322,102

[22] Filed: Nov. 17, 1981

Related U.S. Application Data

[63] Continuation-in-part of Ser. No. 182,272, Aug. 28, 1980, abandoned.

[51] Int. Cl. .... D23-02

[52] U.S. Cl. .... D23/58

[58] Field of Search .... D23/48, 58-64; 4/619, 624, 631, 635, 636

[56] References Cited

U.S. PATENT DOCUMENTS

- D. 201,493 6/1965 Sundberg ..... D23/58
- D. 211,524 6/1968 Plantholt ..... D23/58
- D. 211,729 7/1968 Armstrong ..... D23/58
- D. 215,291 9/1969 Owings ..... D23/58
- D. 229,692 12/1973 Gangor ..... D23/58

- D. 242,859 12/1976 Gruber ..... D23/58
- 3,034,149 5/1962 Lyon ..... 4/631
- 3,358,296 12/1967 Bosler ..... 4/619

OTHER PUBLICATIONS

American Standard Brochure "Form No. 706-3" dated 1/1970, Aqualyn Lavatory 0476.028.

Primary Examiner—James R. Largen

Attorney, Agent, or Firm—James J. Salerno, Jr.; Robert G. Crooks; John P. Sinnott

[57] CLAIM

The ornamental design for a top for a lavatory or similar article, substantially as shown and described.

DESCRIPTION

FIG. 1 is a front elevational view of a top for a lavatory embodying my new design;  
 FIG. 2 is a top plan view thereof;  
 FIG. 3 is a right side elevational view thereof, the left side being a mirror image of the right side shown;  
 FIG. 4 is a rear elevational view thereof;  
 FIG. 5 is a bottom plan view thereof;  
 FIG. 6 is a sectional elevational view taken along the line 6-6 of FIG. 2; and  
 FIG. 7 is a sectional view taken along line 7-7 of FIG. 2.

The broken line representation of a lavatory bowl in FIGS. 1 through 7 is for purposes of illustration only.

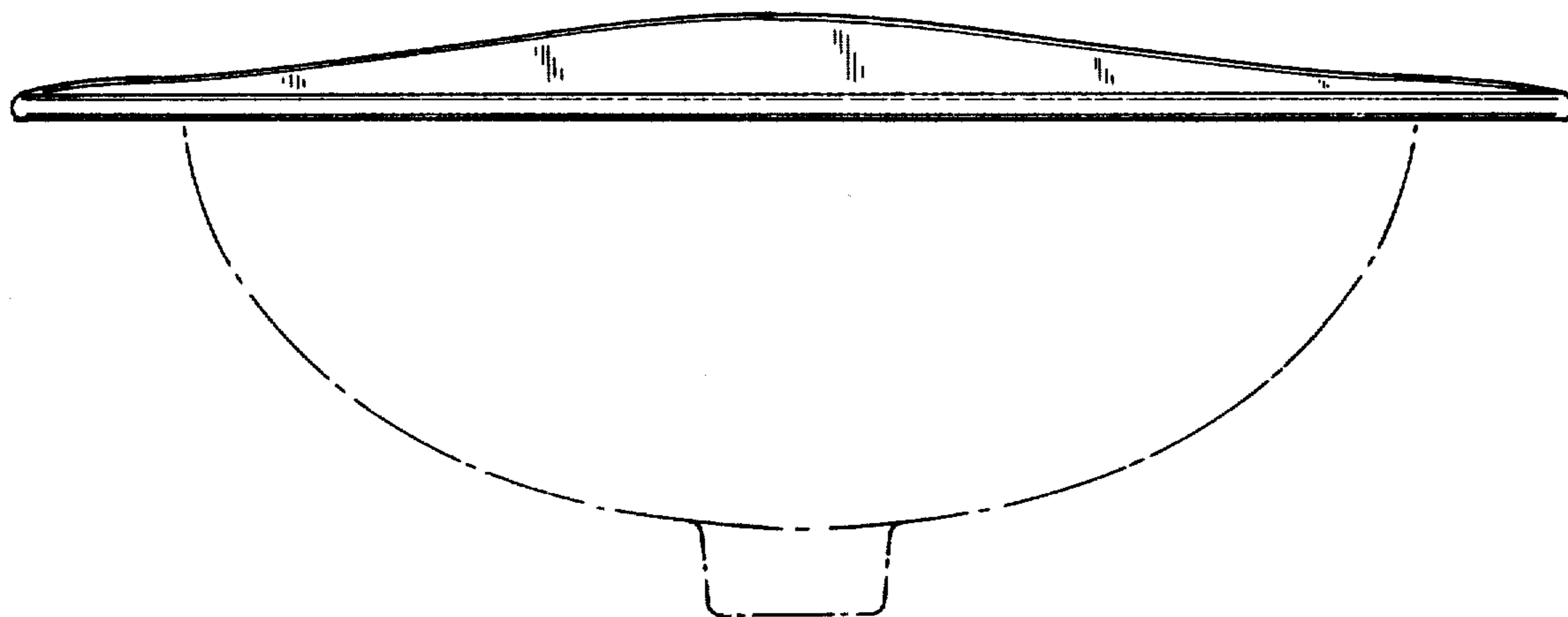
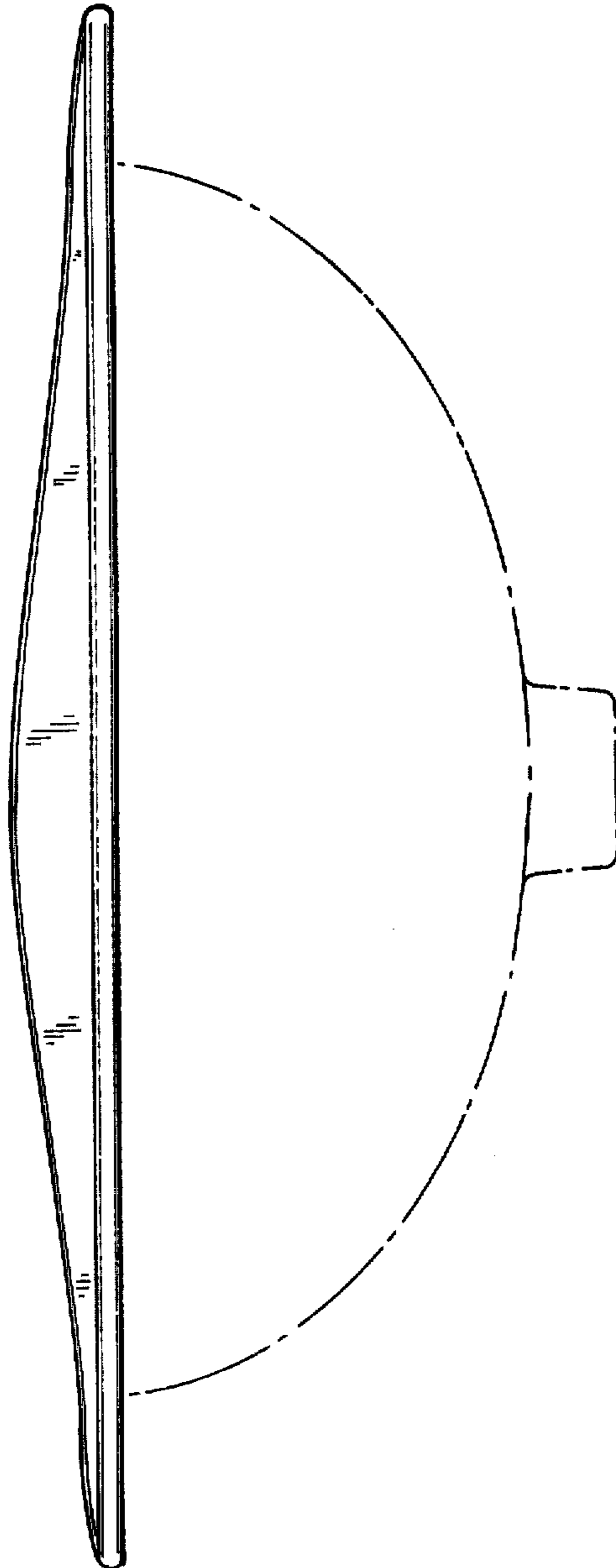


FIG. 1



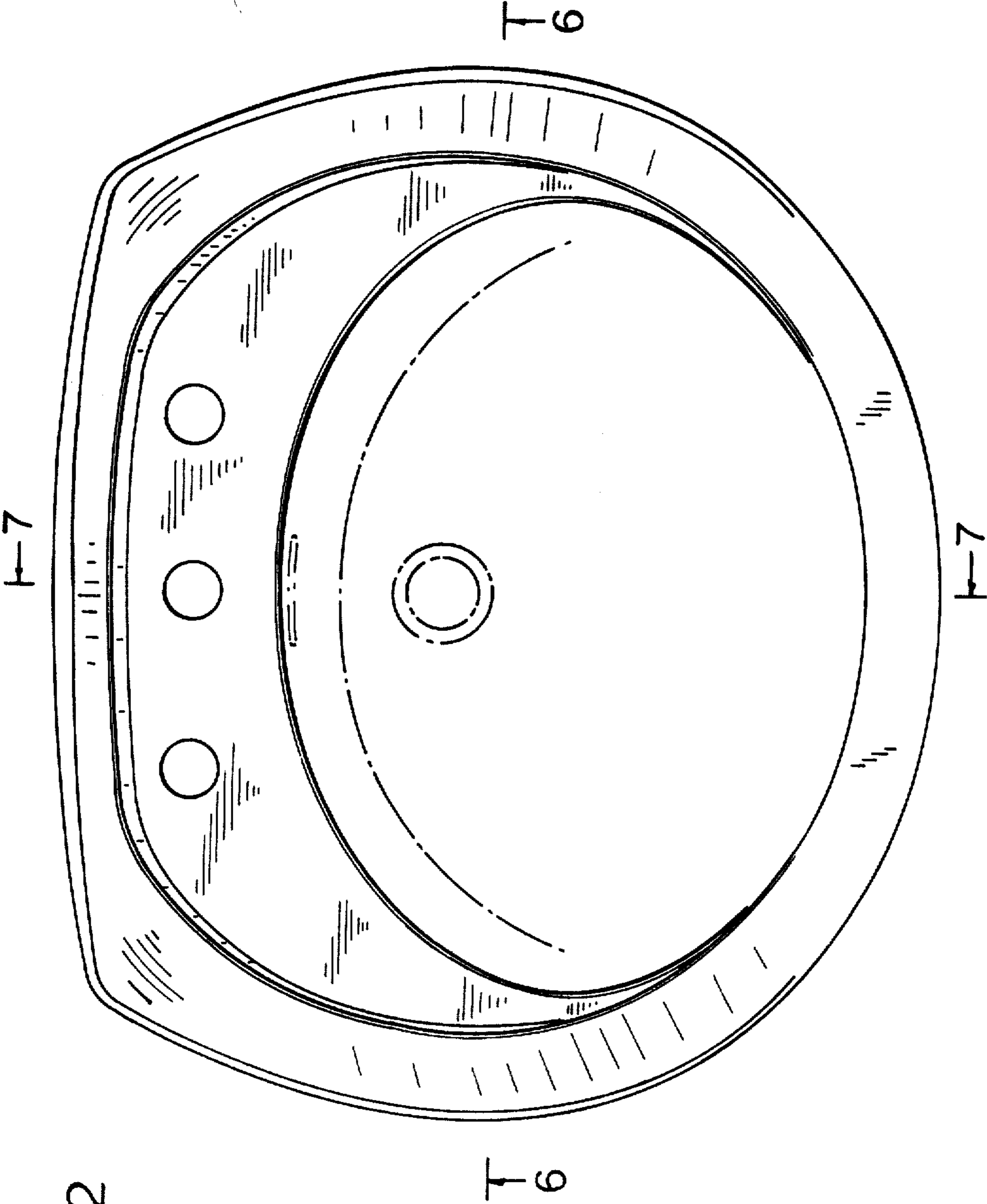


FIG. 2

FIG. 3

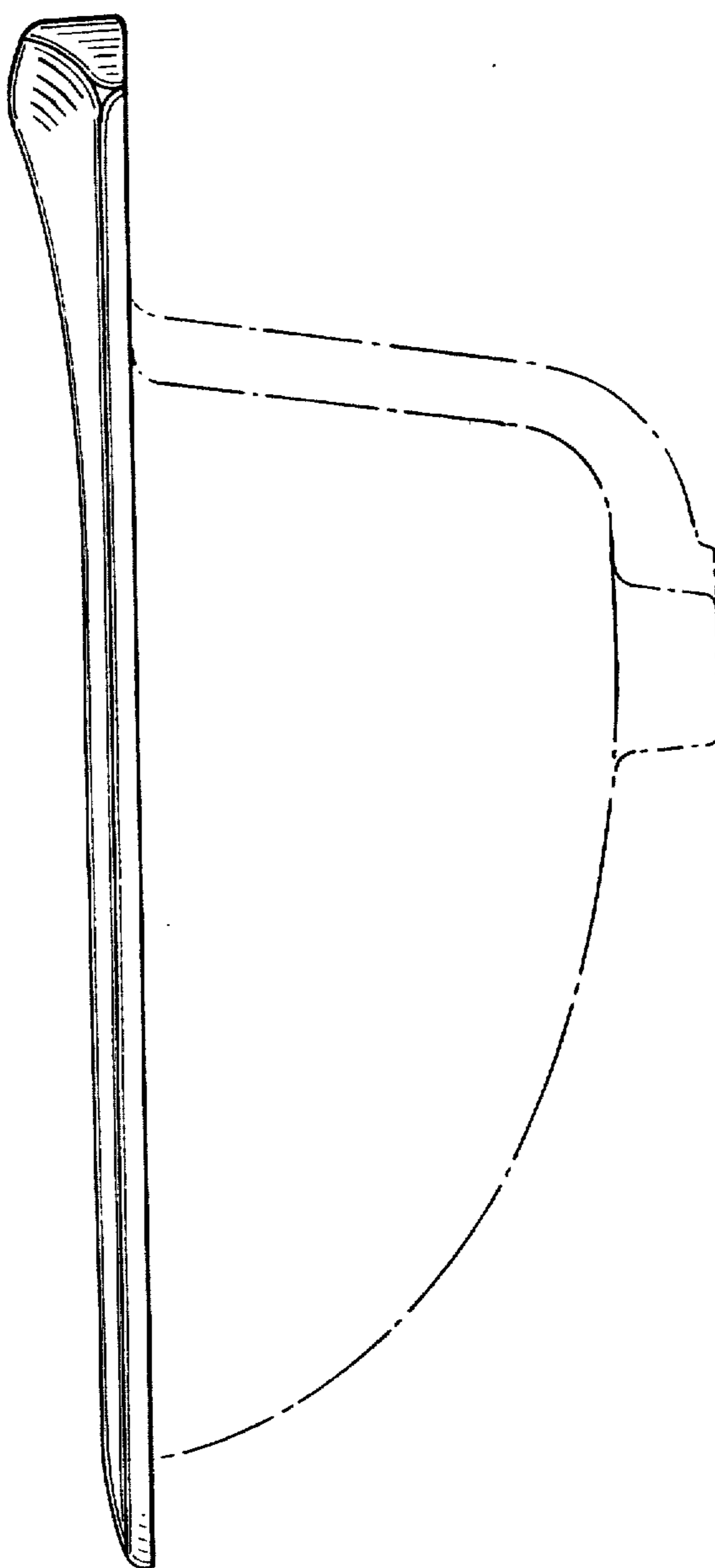
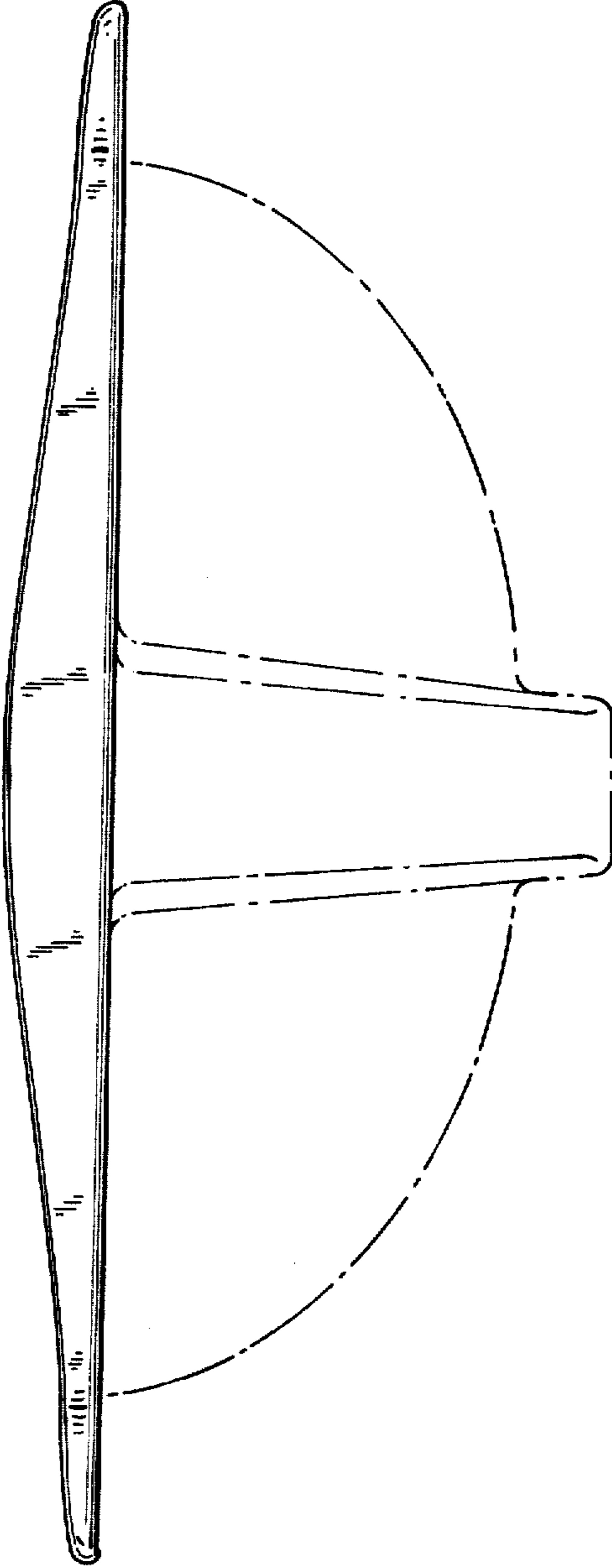


FIG. 4



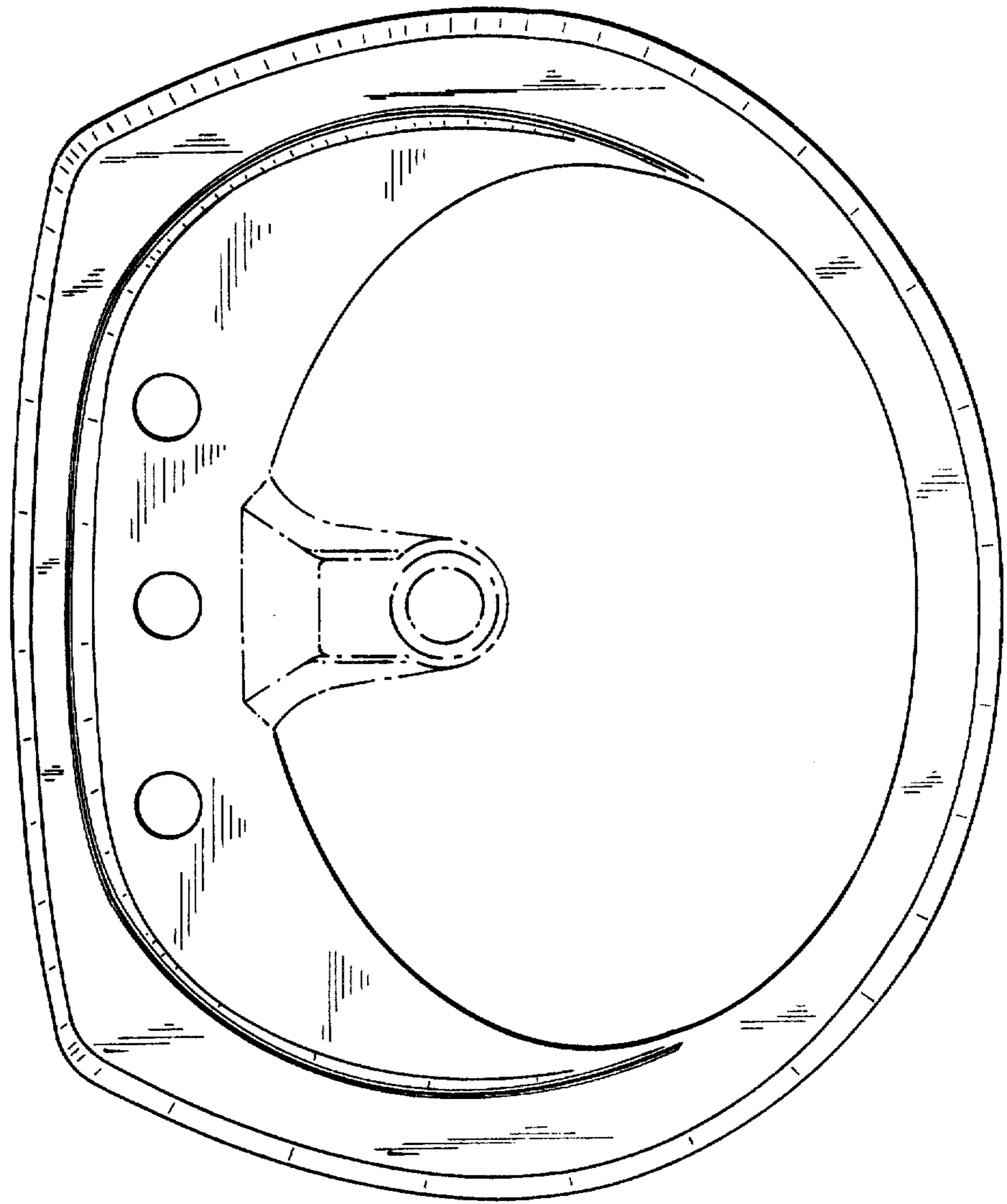


FIG. 5

FIG. 6

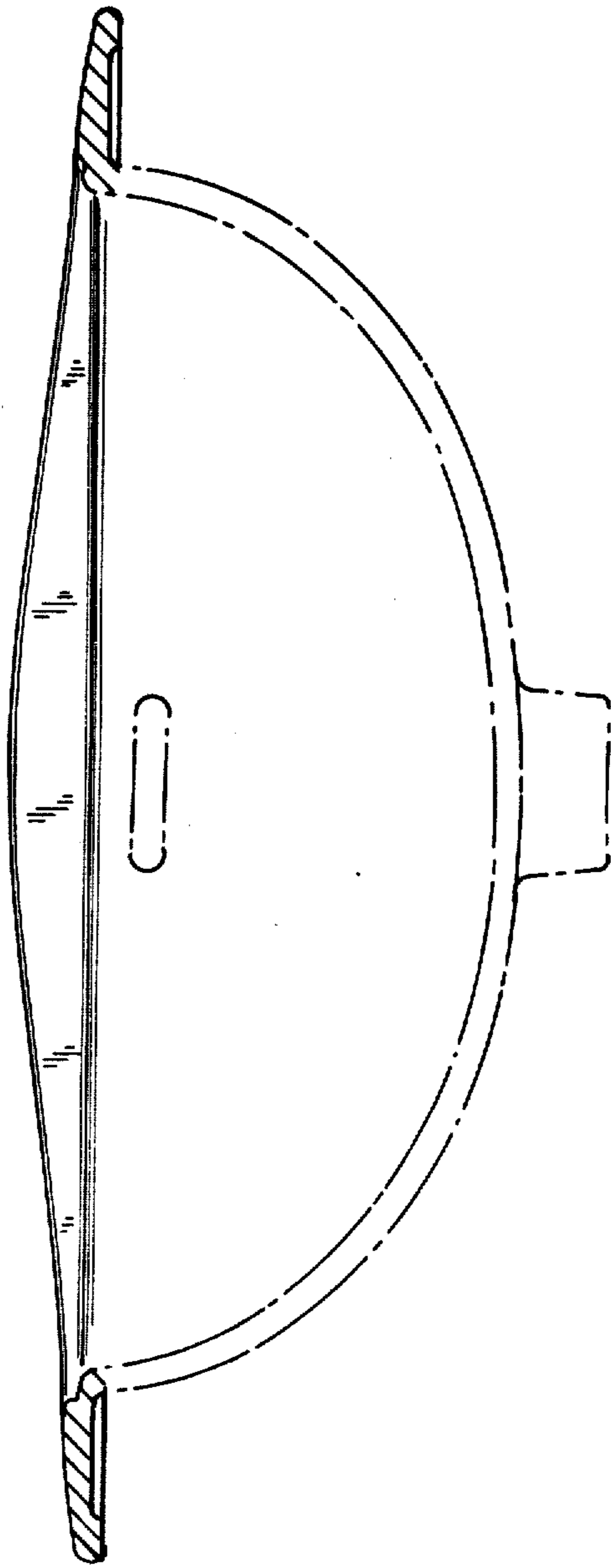


FIG. 7

