

[54] LAWN GOLF MALLET

[76] Inventor: Robert C. Jones, 8427 Grand Ave., Duluth, Minn. 55808

[**] Term: 14 Years

[21] Appl. No.: 338,307

[22] Filed: Jan. 11, 1982

[51] Int. Cl. D21-01

[52] U.S. Cl. D21/210; D21/217

[58] Field of Search D21/210, 211, 214, 217, D21/218, 219, 202; 273/167 R, 67 R, 83, 168, 176 AA

[56] References Cited

U.S. PATENT DOCUMENTS

- D. 231,624 5/1974 Wilmoth D21/219
- D. 235,668 7/1975 Swash D21/217
- 2,789,823 4/1957 Bennett 273/67 R
- 4,295,650 10/1981 Keeble 273/83

Primary Examiner—Melvin B. Feifer
Attorney, Agent, or Firm—Schroeder, Siegfried, Vidas & Arrett

[57] CLAIM

The ornamental design for a lawn golf mallet, as shown and described.

DESCRIPTION

FIG. 1 is a left side elevational view of a lawn golf mallet embodying my new design;
 FIG. 2 is a left side elevational view of the same on a reduced scale;
 FIG. 3 is a top plan view thereof;
 FIG. 4 is a rear elevational view of the same with the handle broken away;
 FIG. 5 is a bottom plan view thereof; and
 FIG. 6 is a front elevational view thereof with the handle broken away.
 A side elevational view taken from the side opposite that shown in FIG. 1 is essentially a mirror image thereof.

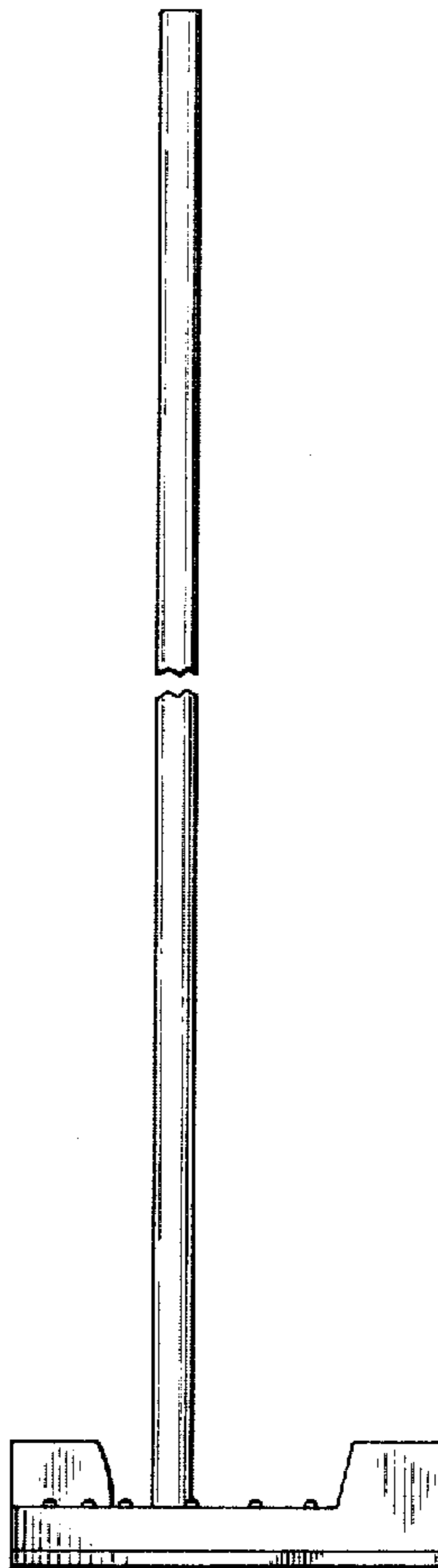


Fig. 1

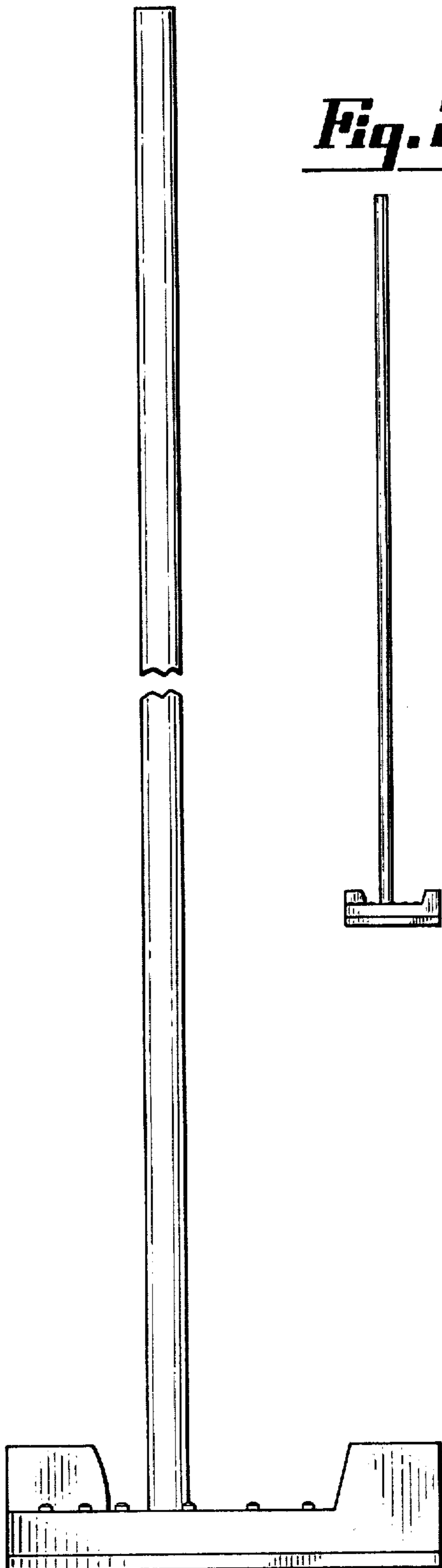


Fig. 2

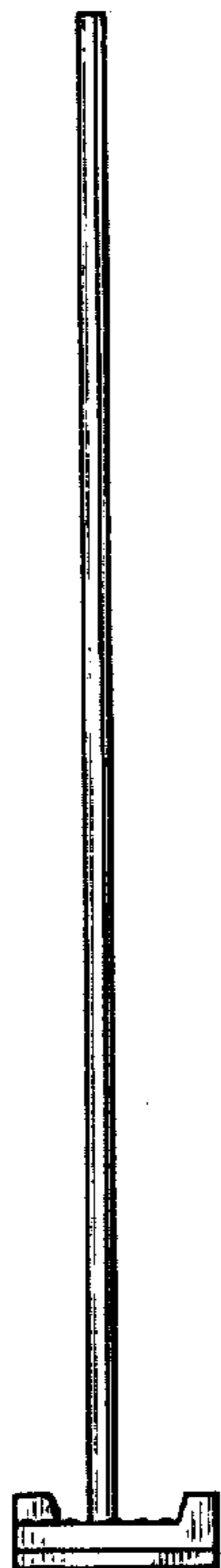


Fig. 3

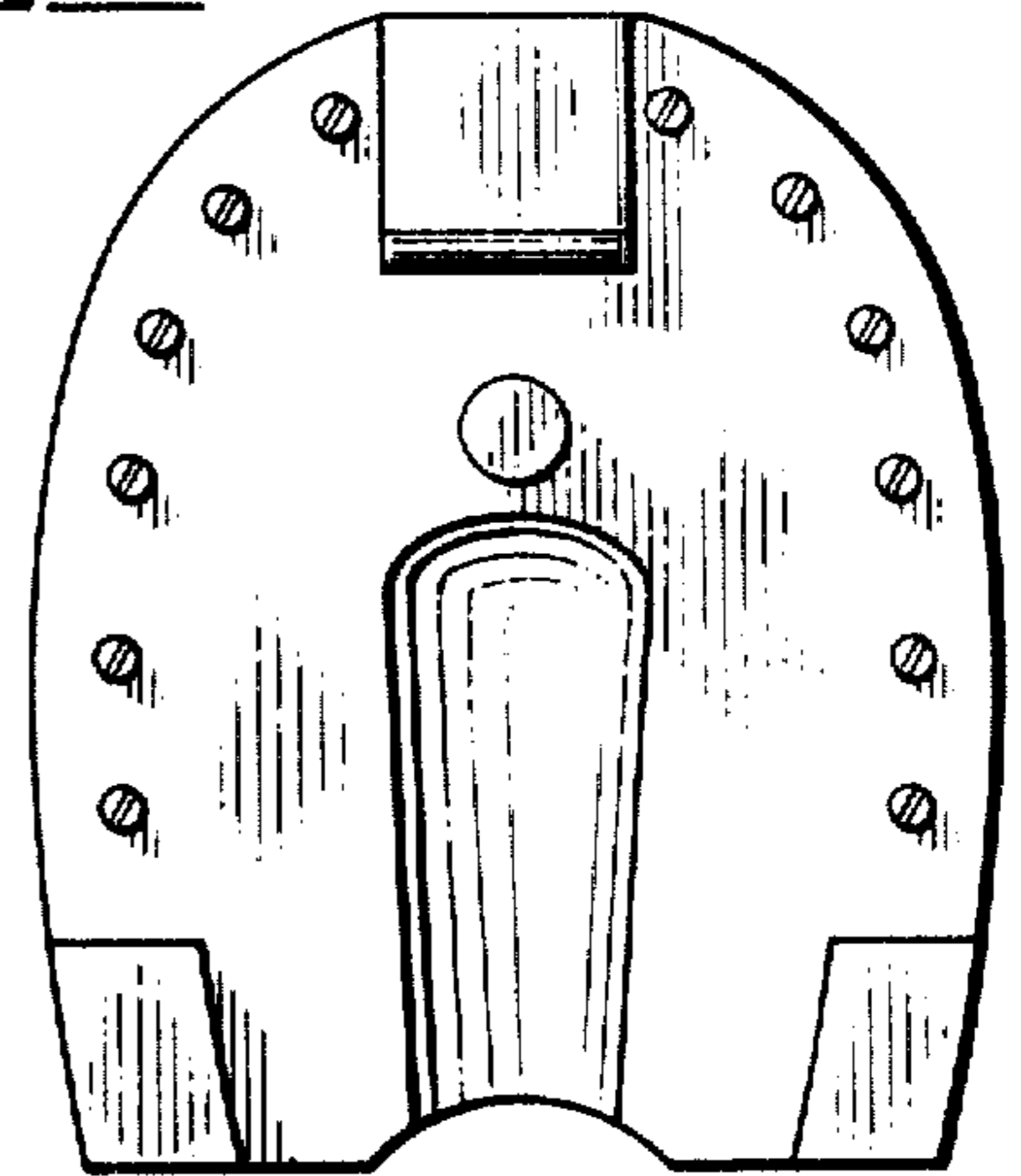


Fig. 4

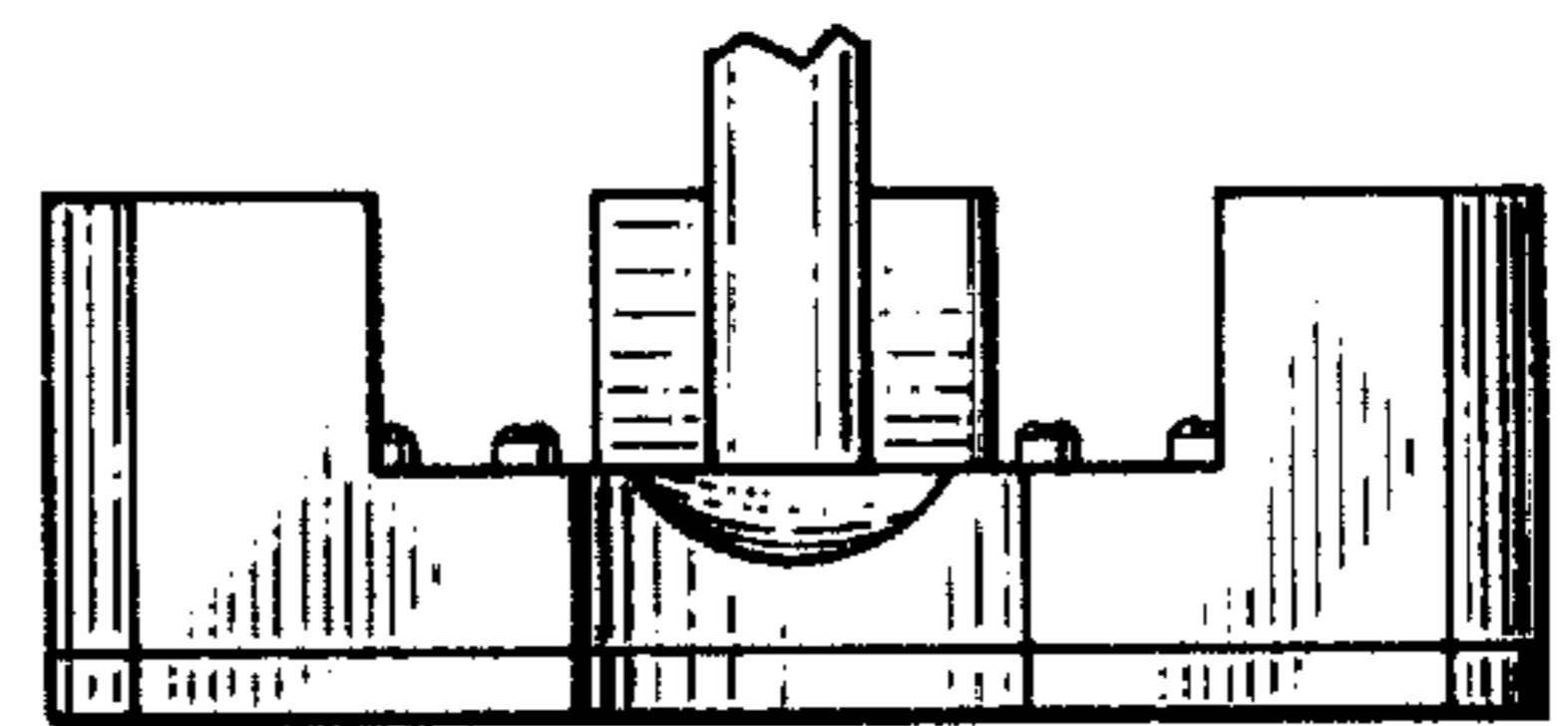


Fig. 5

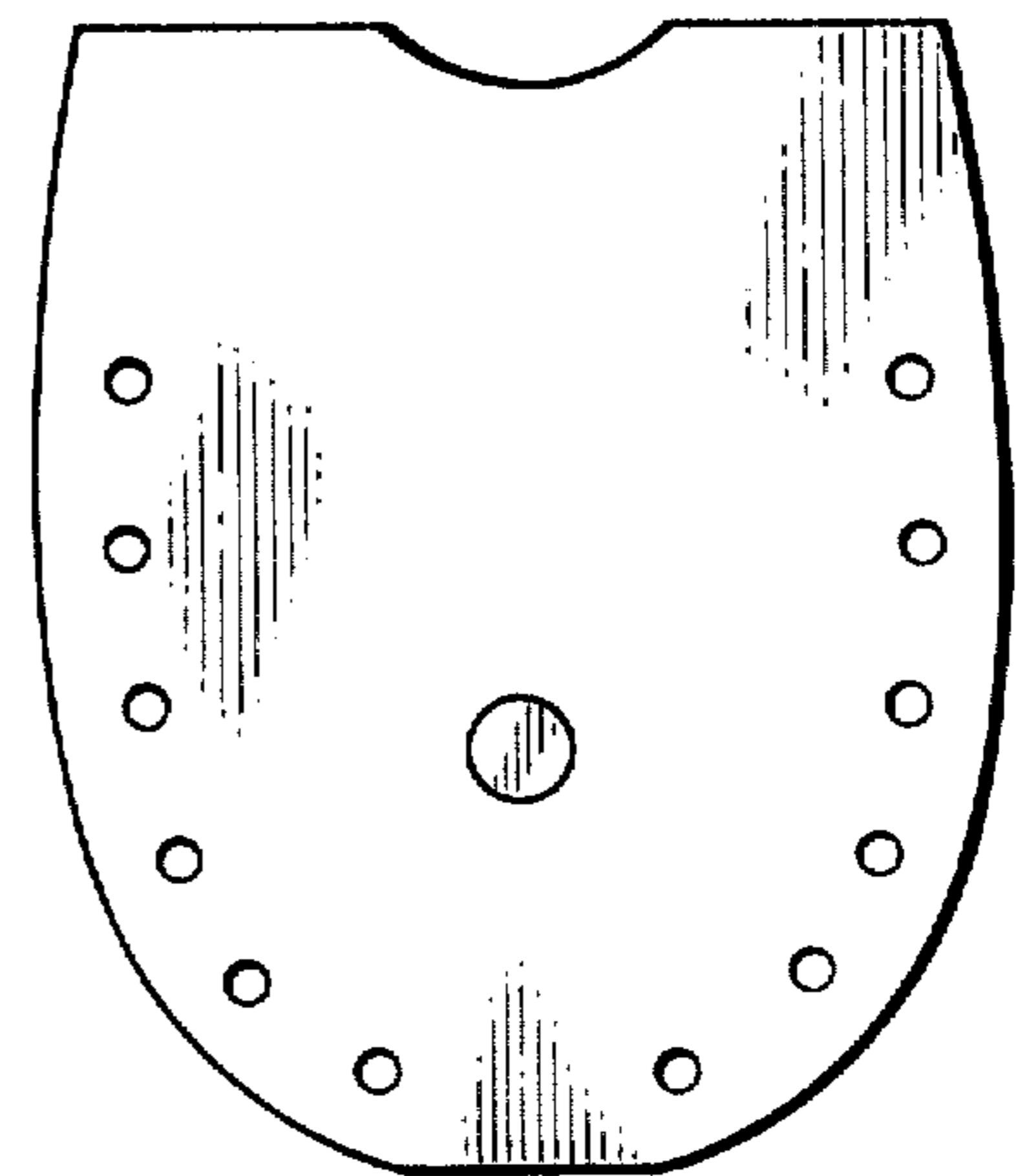


Fig. 6

