

[54] **TOY WATERING BUCKET**

[75] **Inventor:** **W. Porter Clanton, East Aurora, N.Y.**

[73] **Assignee:** **The Quaker Oats Company, Chicago, Ill.**

[**] **Term:** **14 Years**

[21] **Appl. No.:** **332,453**

[22] **Filed:** **Dec. 21, 1981**

[51] **Int. Cl.** **D21-01**

[52] **U.S. Cl.** **D21/120; D23/11**

[58] **Field of Search** **D21/120, 121; D23/11; 46/1 R, 11; 222/465 R, 474**

[56] **References Cited**

U.S. PATENT DOCUMENTS

D. 184,893 4/1959 Reinecke D23/11
D. 241,032 8/1976 Burke et al. D23/11

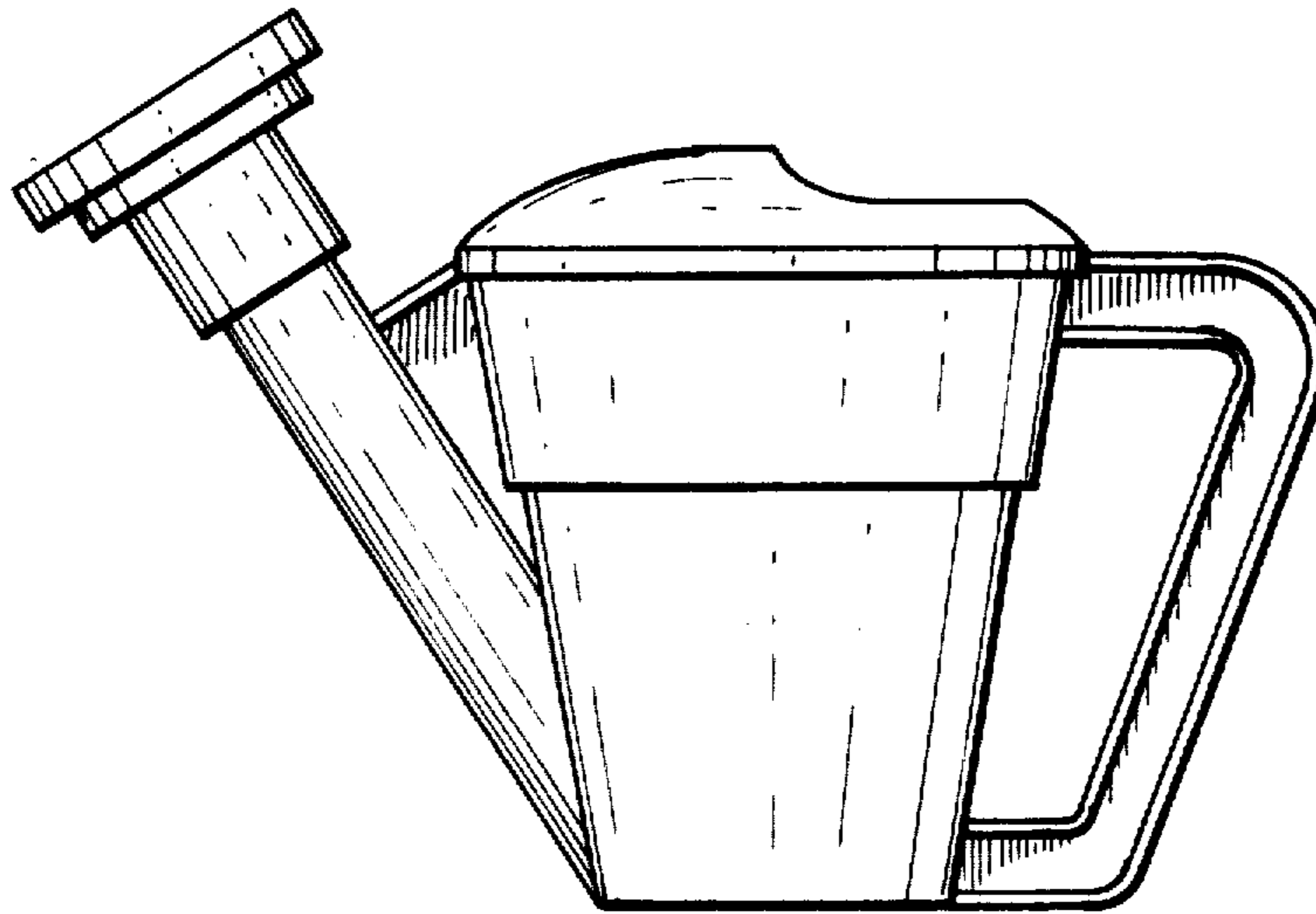
Primary Examiner—Charles A. Rademaker
Attorney, Agent, or Firm—Cumpston & Shaw

[57] **CLAIM**

The ornamental design for a toy watering bucket, substantially as shown and described.

DESCRIPTION

FIG. 1 is a right side elevational view of a toy watering bucket showing my new design, the left side being substantially a mirror image;
FIG. 2 is a rear elevational view thereof;
FIG. 3 is a top plan view thereof;
FIG. 4 is a front elevational view thereof; and
FIG. 5 is a bottom plan view thereof.



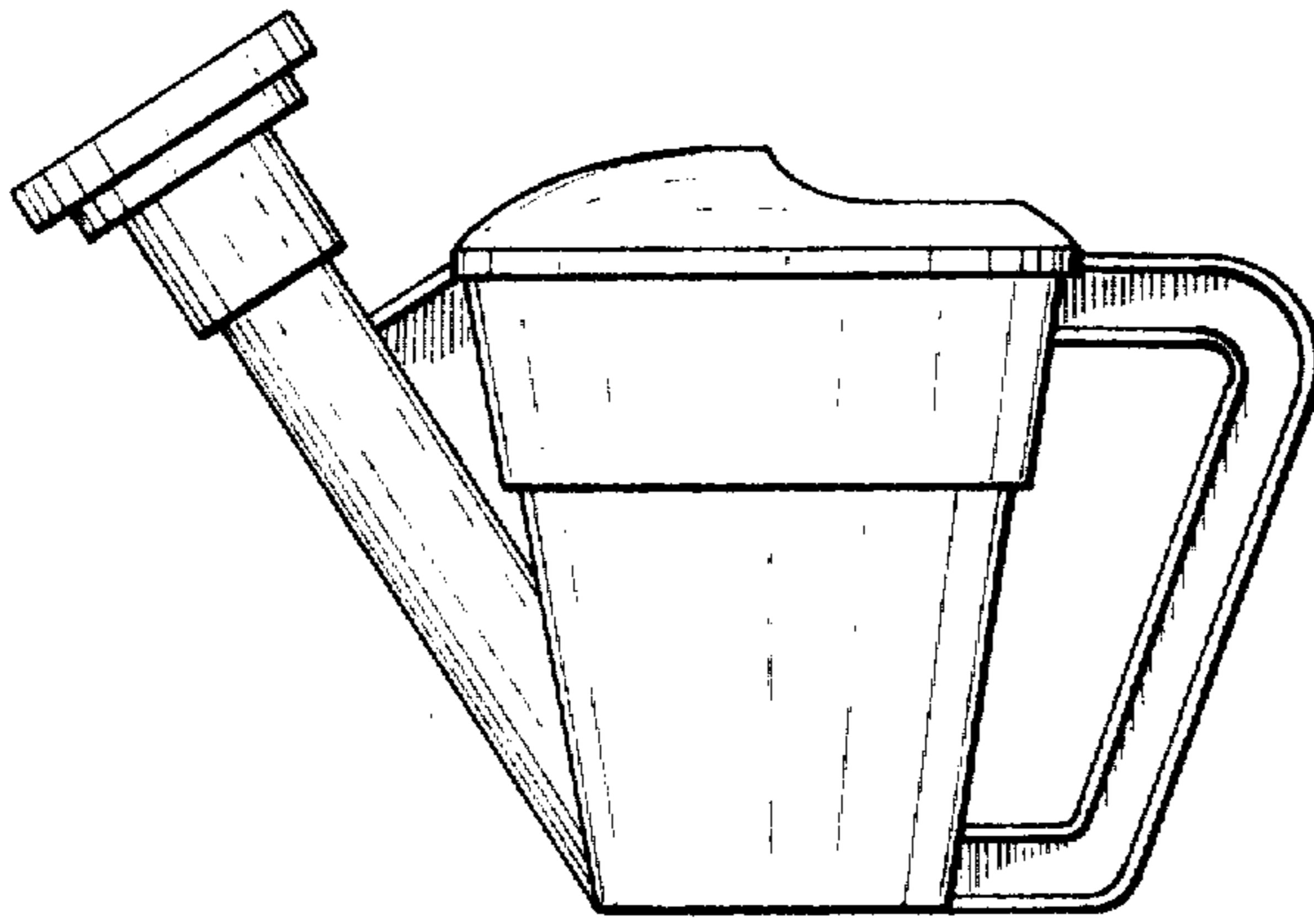


FIG. 1

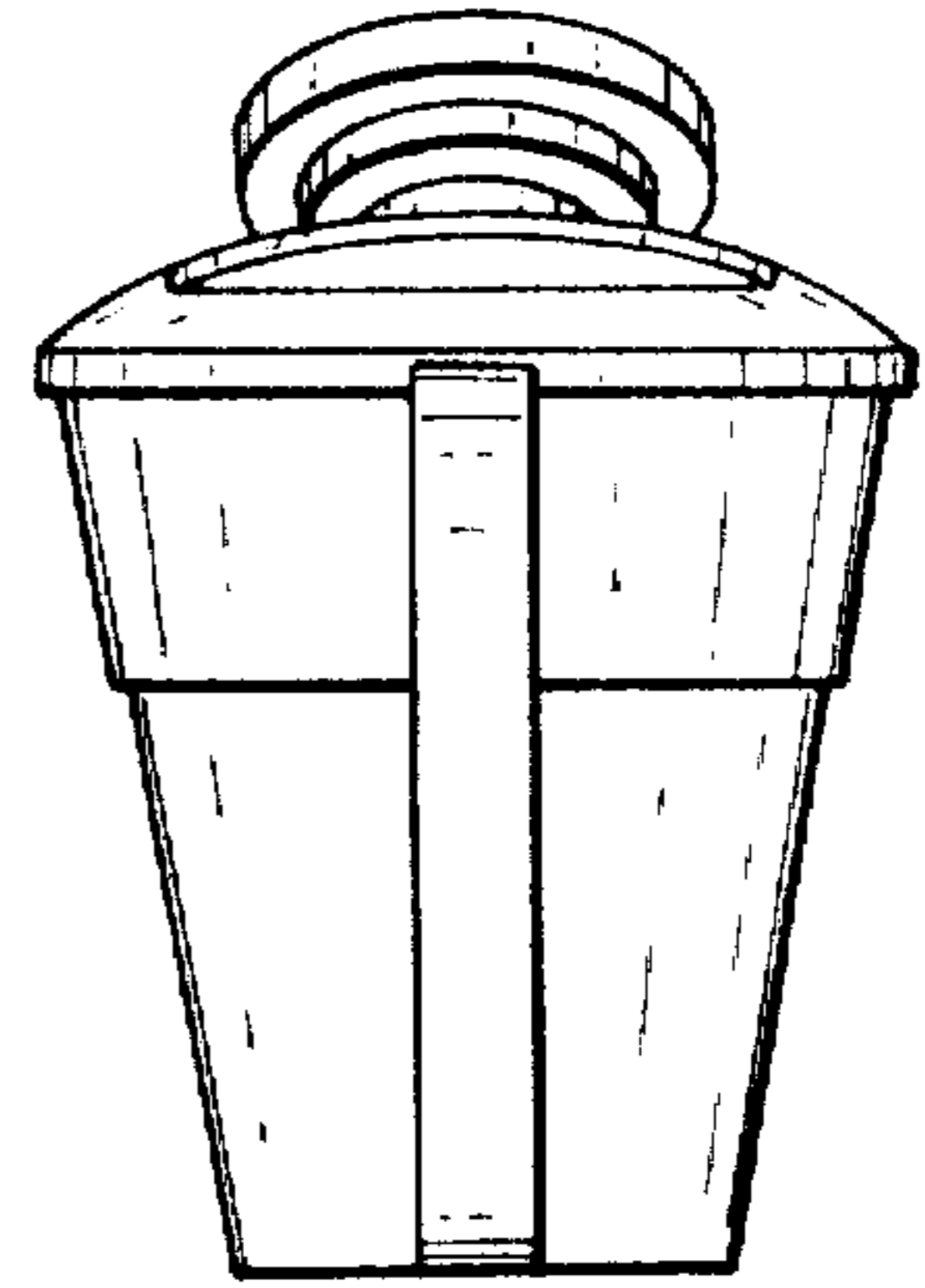


FIG. 2

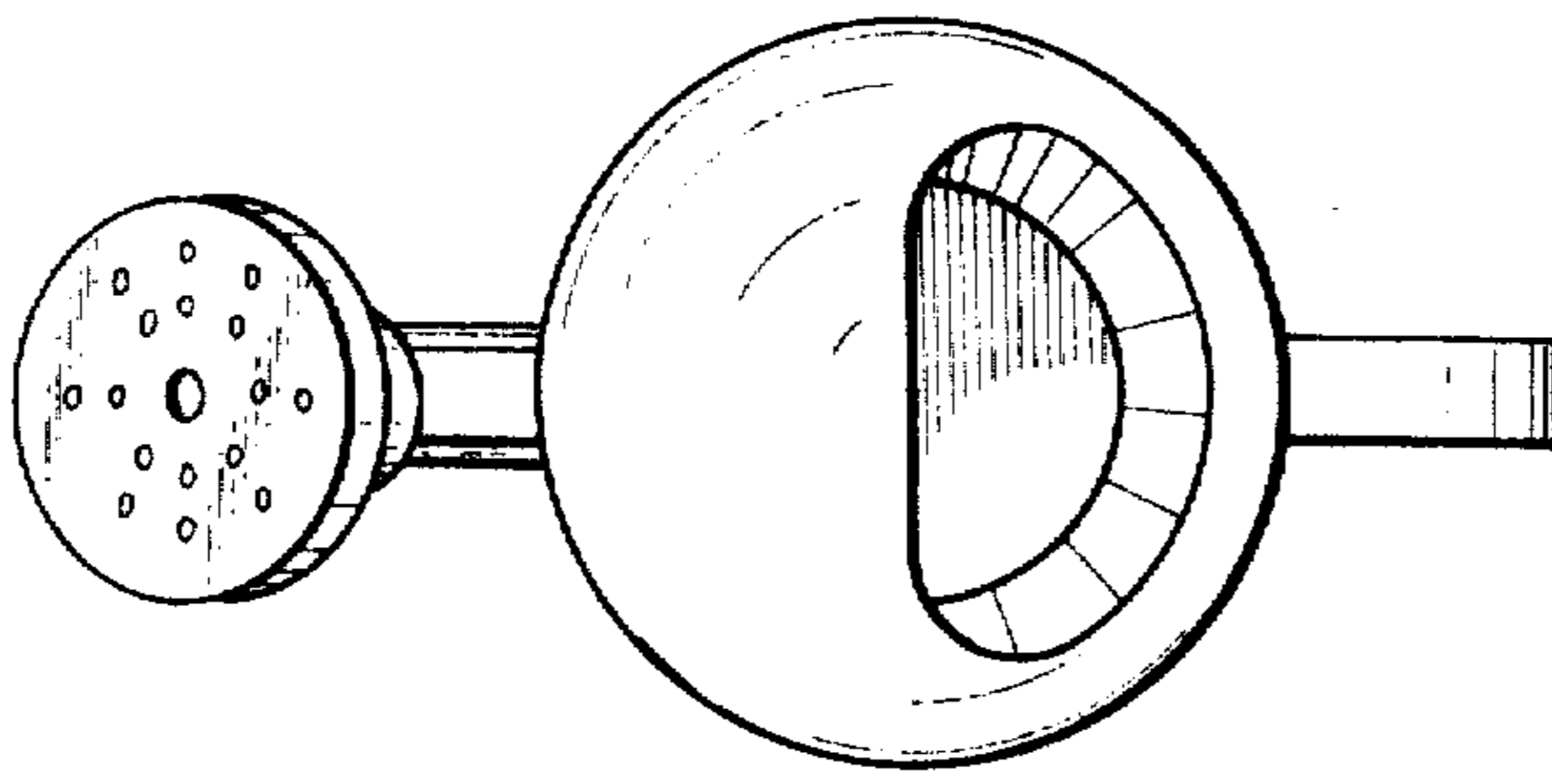


FIG. 3

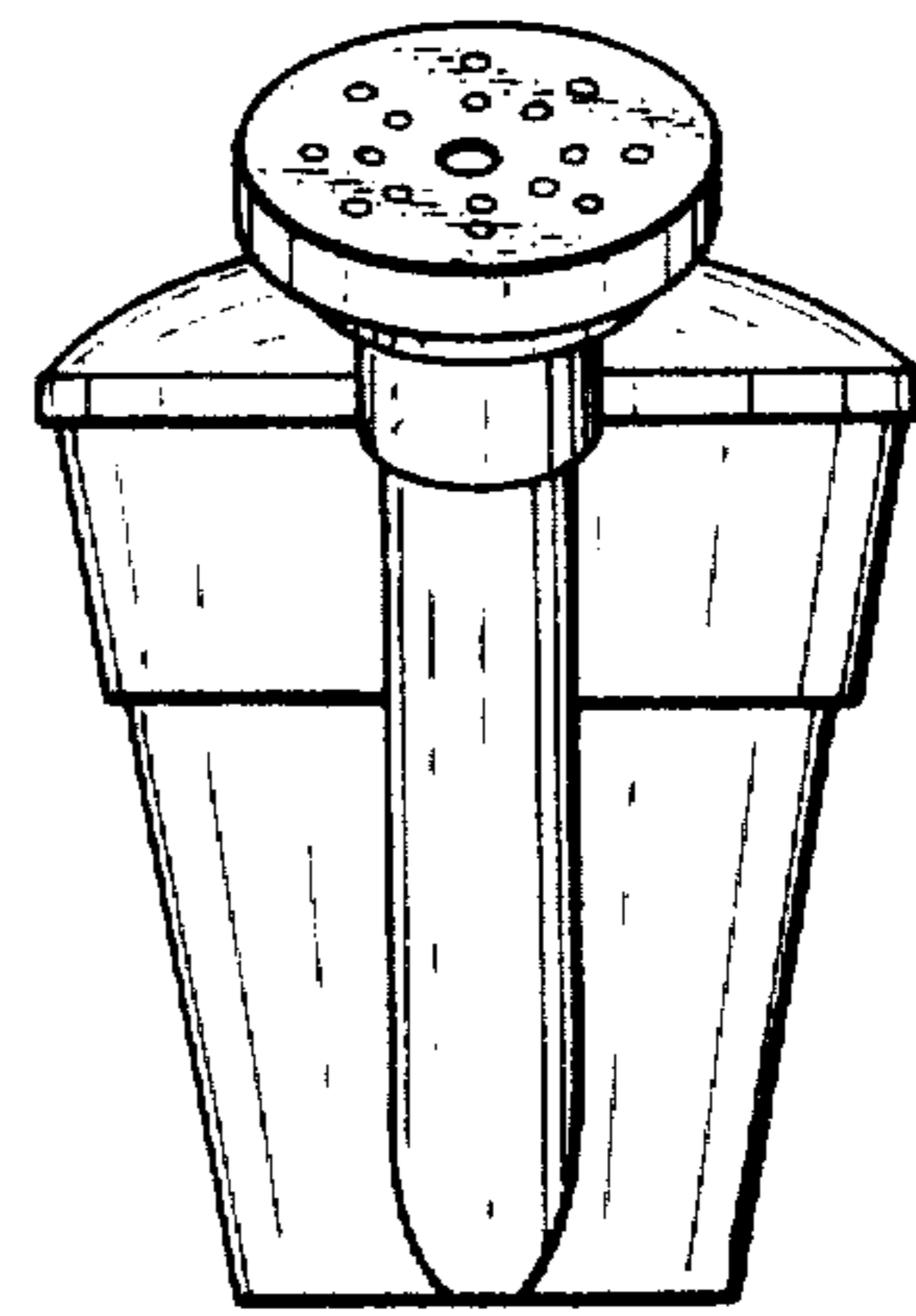


FIG. 4

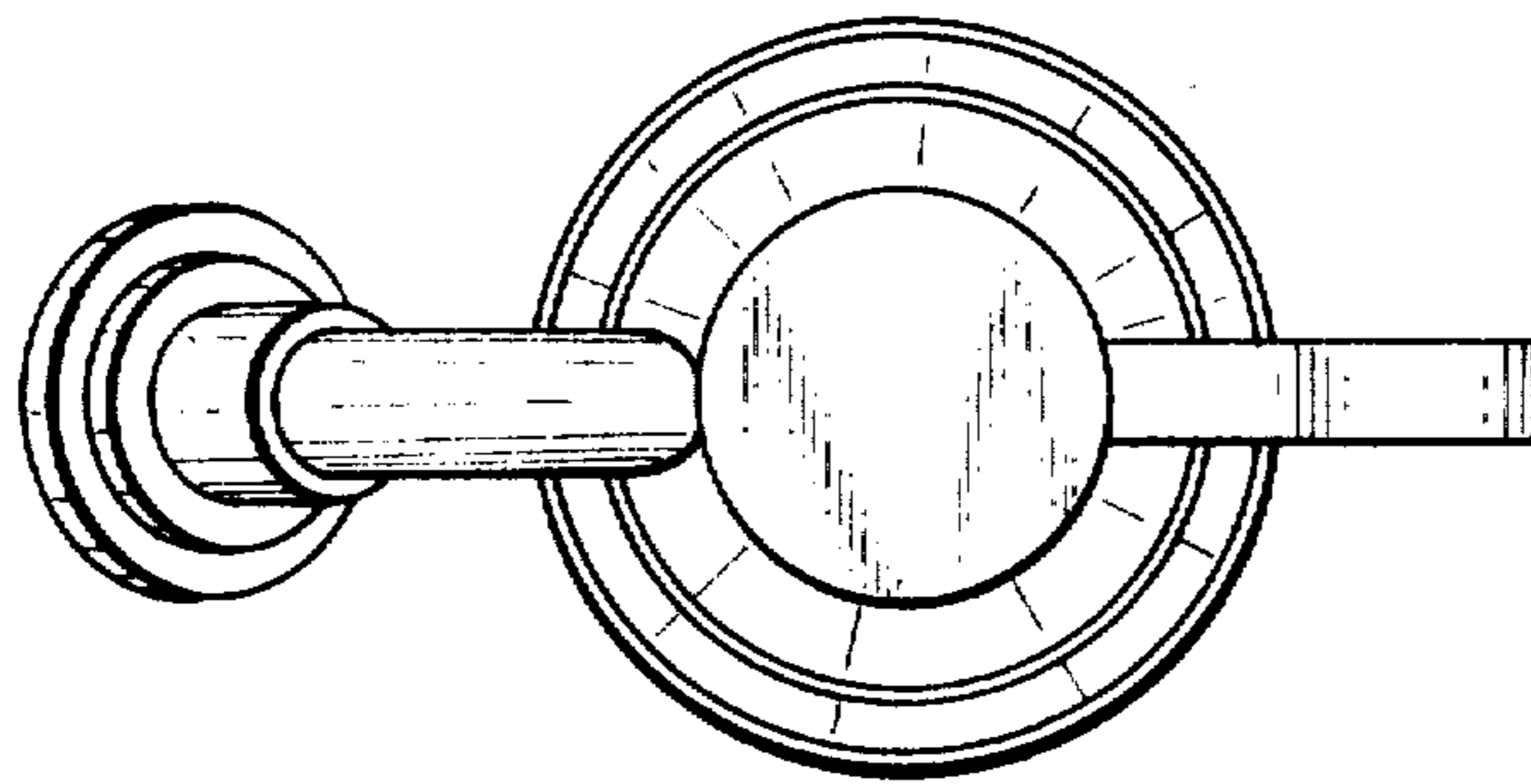


FIG. 5