

[54] TOY STACKABLE BOLT AND NUT ASSEMBLY

[75] Inventor: Mark D. Boudreaux, Cincinnati, Ohio

[73] Assignee: CPG Products Corp., Minneapolis, Minn.

[**] Term: 14 Years

[21] Appl. No.: 303,446

[22] Filed: Sep. 18, 1981

[51] Int. Cl. D21-01; D8-08

[52] U.S. Cl. D21/59; D8/382; D8/387; D8/399; D21/52

[58] Field of Search D8/382, 387, 397, 398, D8/399; D21/52, 59; 411/337, 371, 373, 378, 383, 393, 399, 402, 427, 531, 435; 46/1 R

[56] References Cited

U.S. PATENT DOCUMENTS

D. 219,037 10/1970 Laufer D21/52

OTHER PUBLICATIONS

Star Stainless Screw Co. Cat. 65; p. 5; Fillister Screw AN 500-C-D.
Star Stainless Screw Co. Cat. 65; p. 6; Hexagon nut (upper left).

Star Stainless Screw Co. Cat. 65; p. 6; Wing nut (bottom left).

Star Stainless Screw Co. Cat. 65; p. 8; Washer (top left).
Star Stainless Screw Co. Cat. 65; p. 8; Lock Washer (middle left).

Star Stainless Screw Co. Cat. 65; p. 8; Tooth Lock Washer (bottom left).

House Beautiful; 12-1968; p. 81; Chess Set 5.

Railway Locomotives & Cars; 10-1973; p. 31; Chess Set.

Primary Examiner—B. J. Bullock

Attorney, Agent, or Firm—L. MeRoy Lillehaugen; G. O. Enockson

[57] CLAIM

The ornamental design for a toy stackable bolt and nut assembly, substantially as shown and described.

DESCRIPTION

FIG. 1 is a front elevational view of a toy stackable bolt and nut assembly showing my new design;

FIG. 2 is a side elevational view thereof, as viewed from the left of FIG. 1;

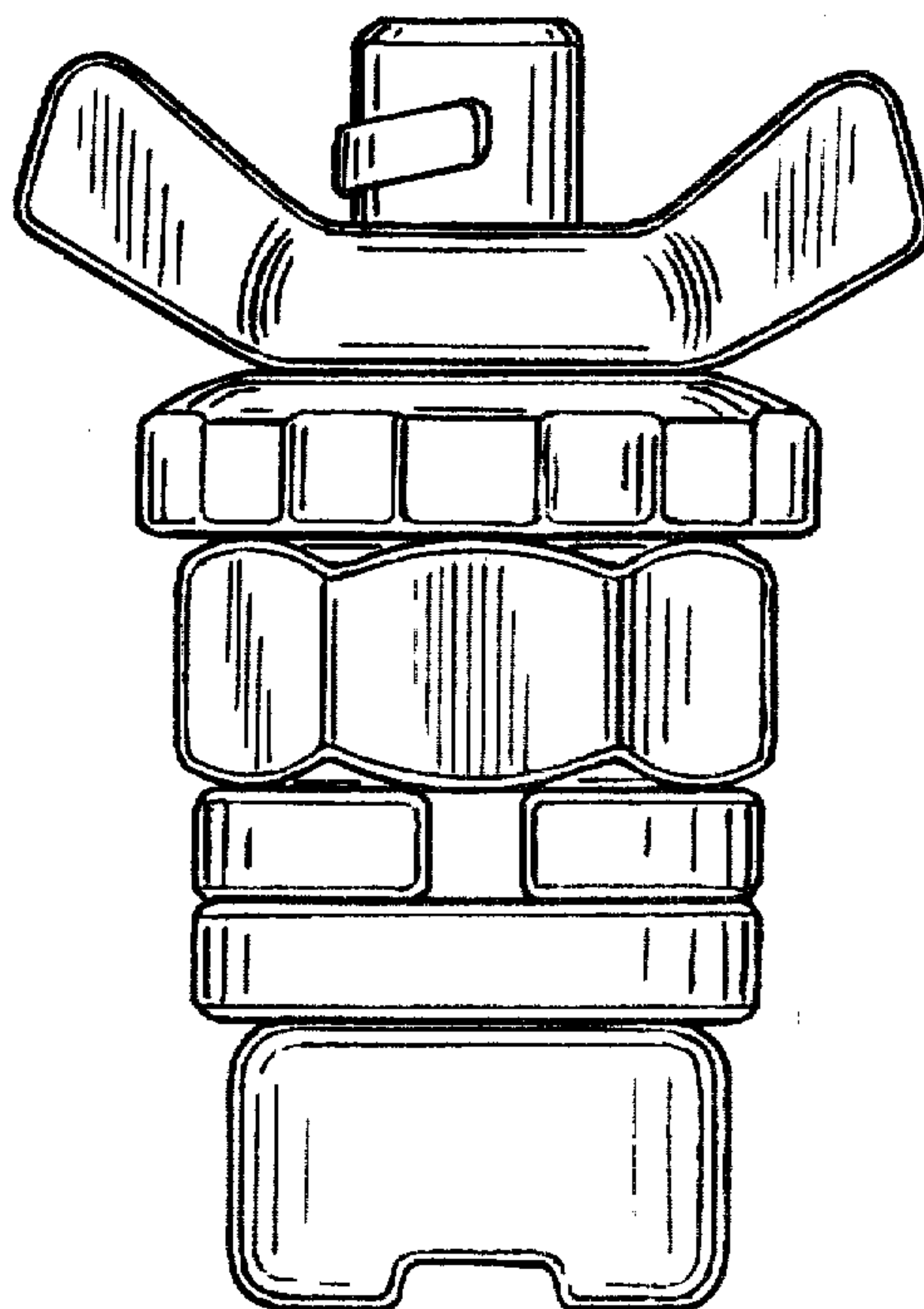
FIG. 3 is a side elevational view thereof, as viewed from the right of FIG. 1;

FIG. 4 is a top plan view thereof;

FIG. 5 is a rear elevational view thereof;

FIG. 6 is a bottom plan view thereof; and

FIG. 7 is a perspective view which illustrates the invention in a disassembled condition.



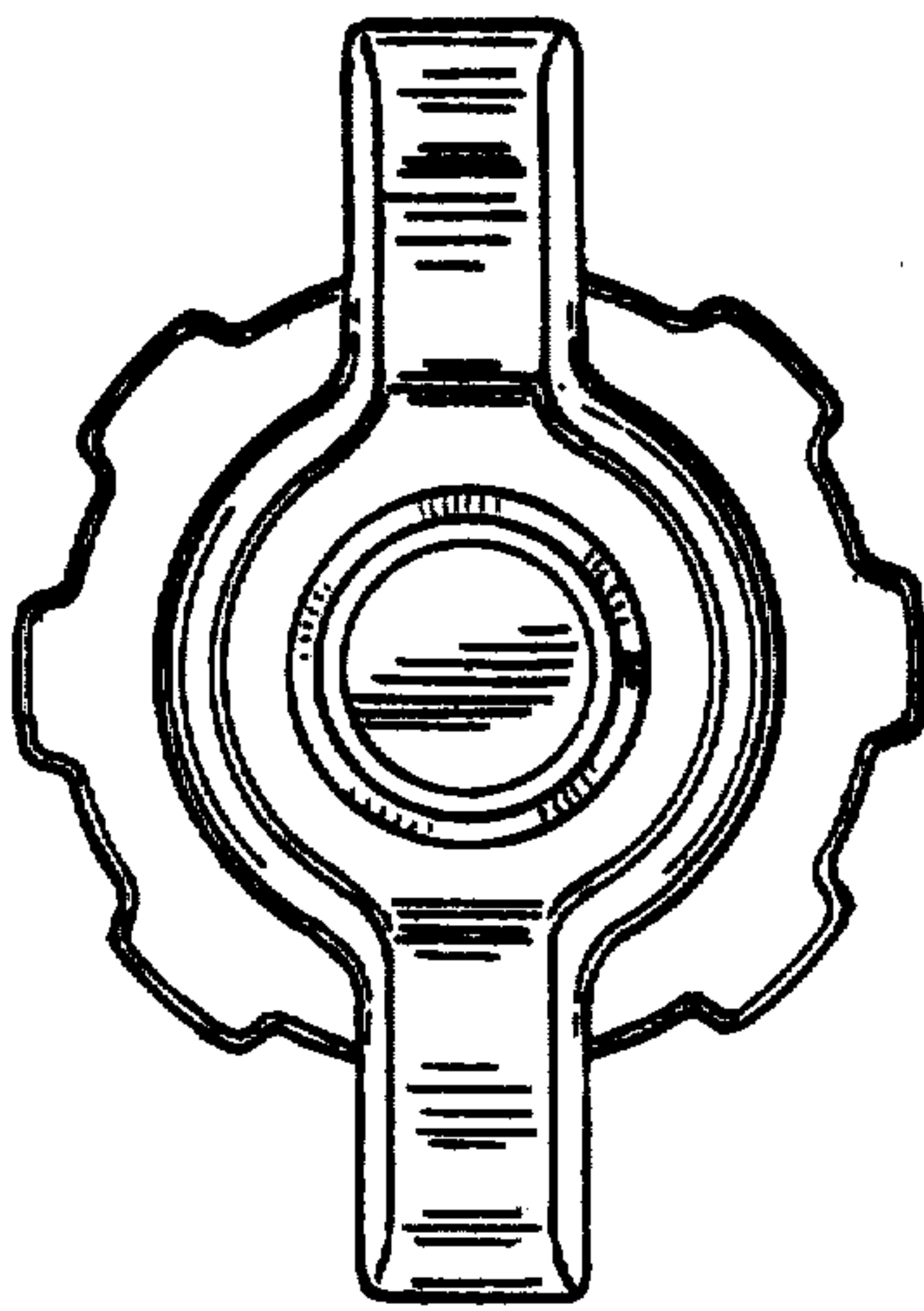


FIG. 4

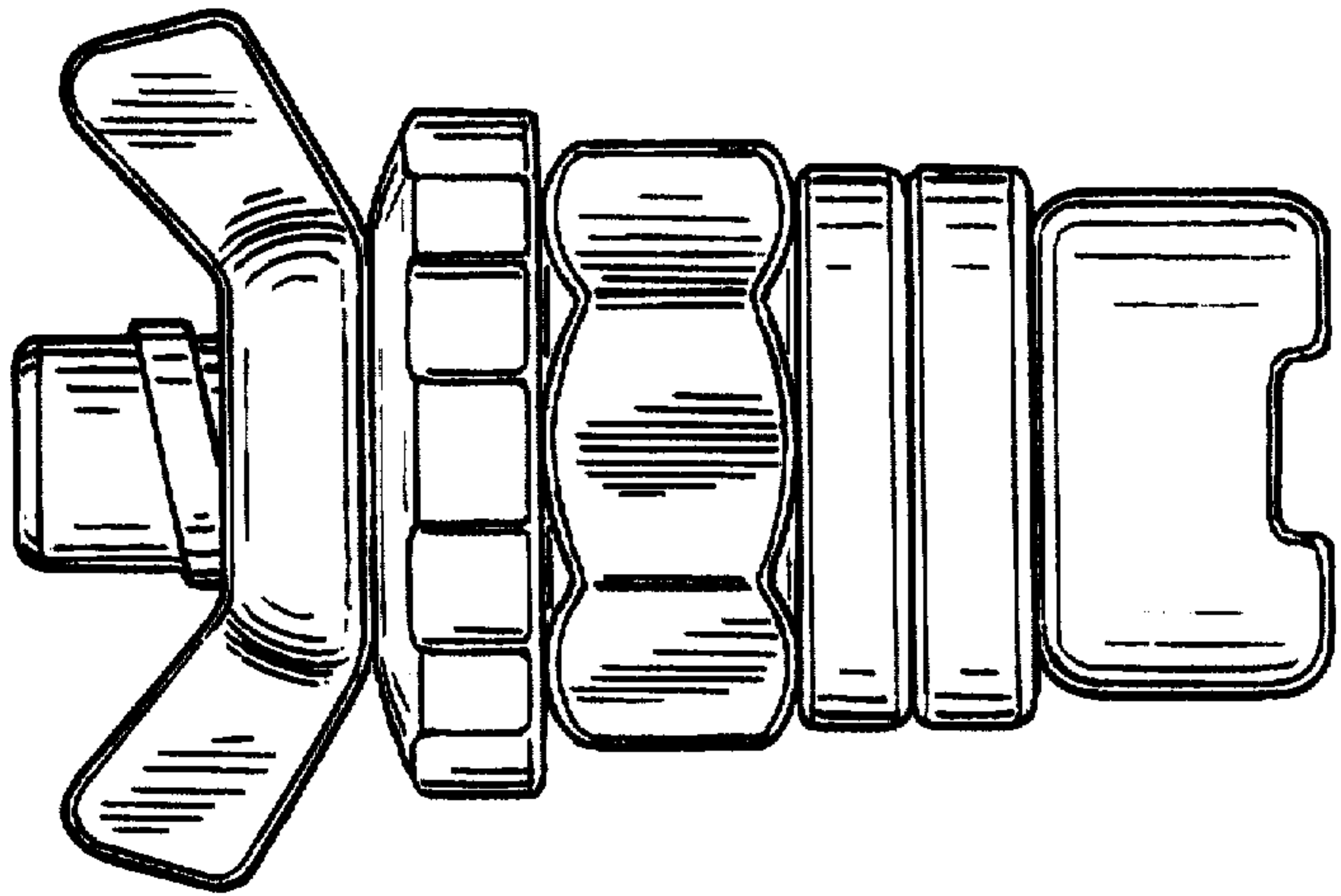


FIG. 5

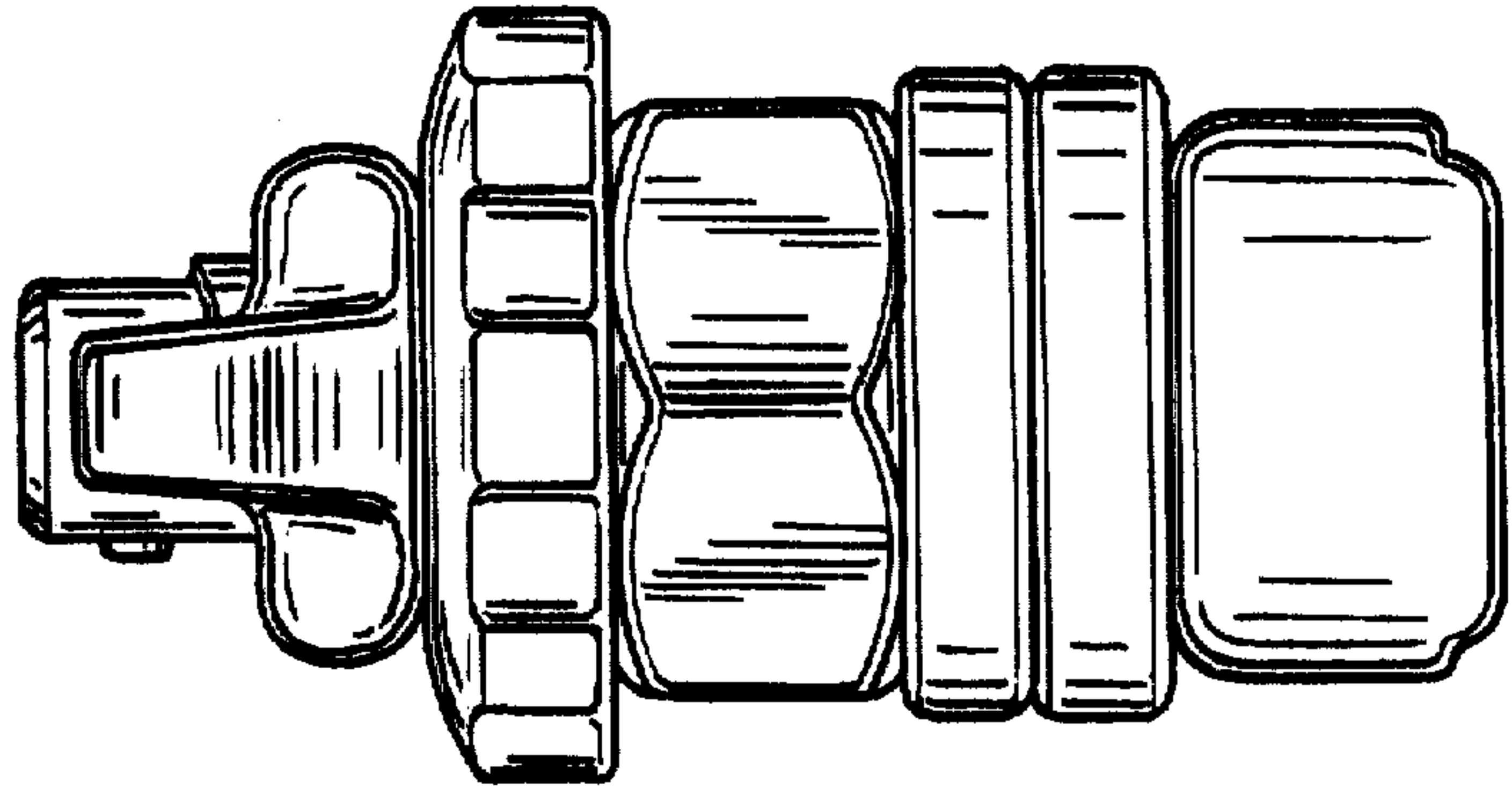


FIG. 6

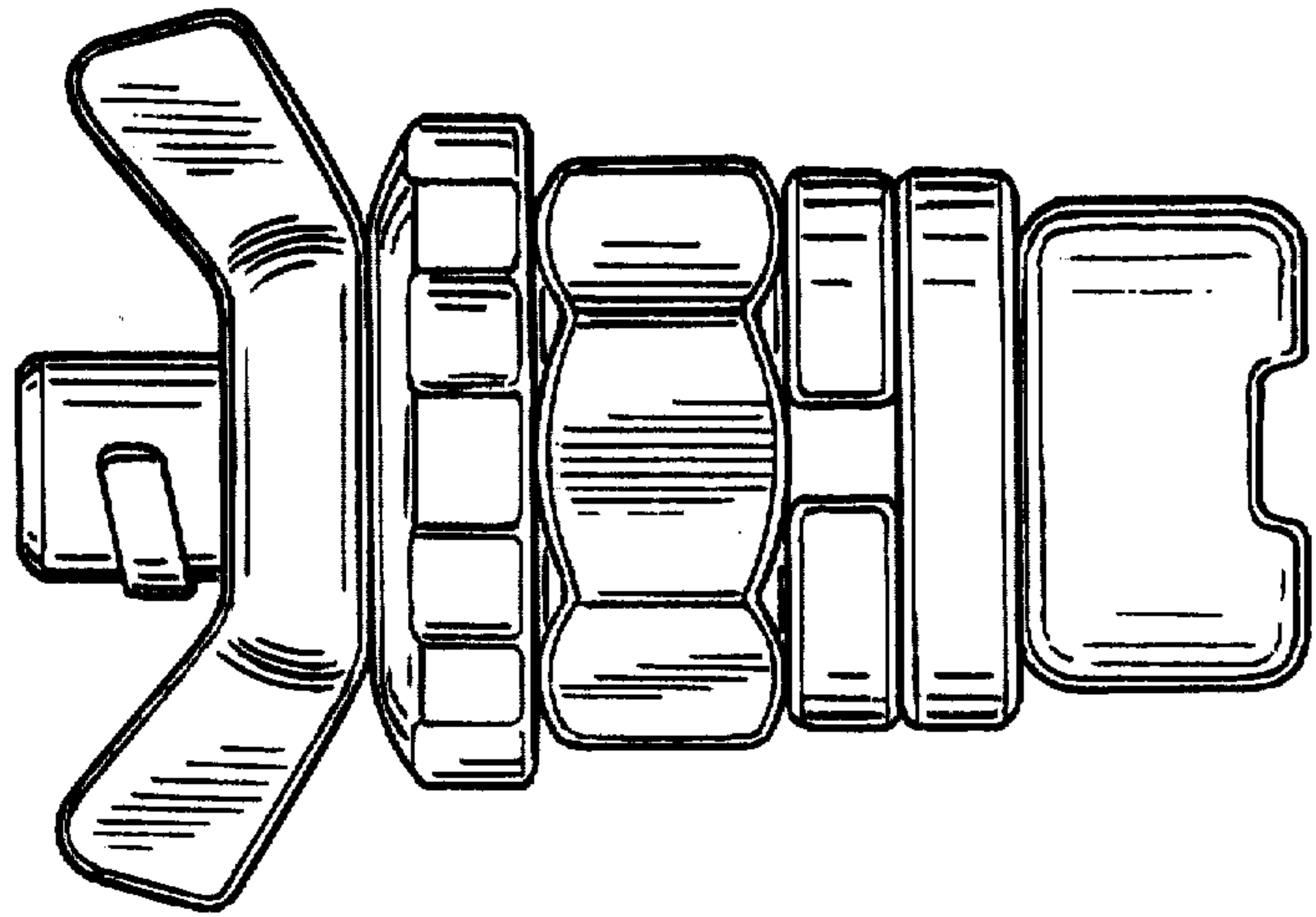


FIG. 7

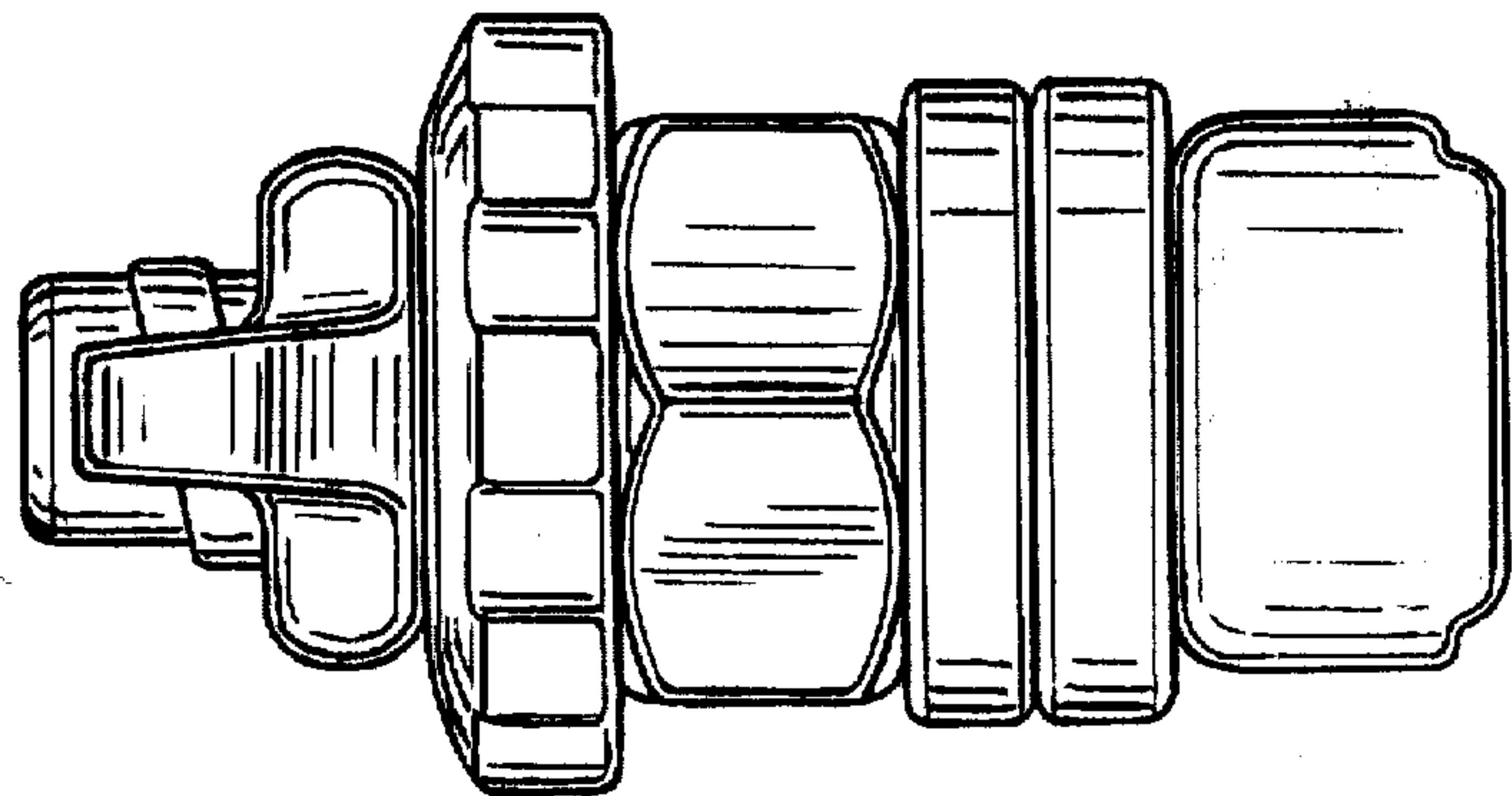


FIG. 8

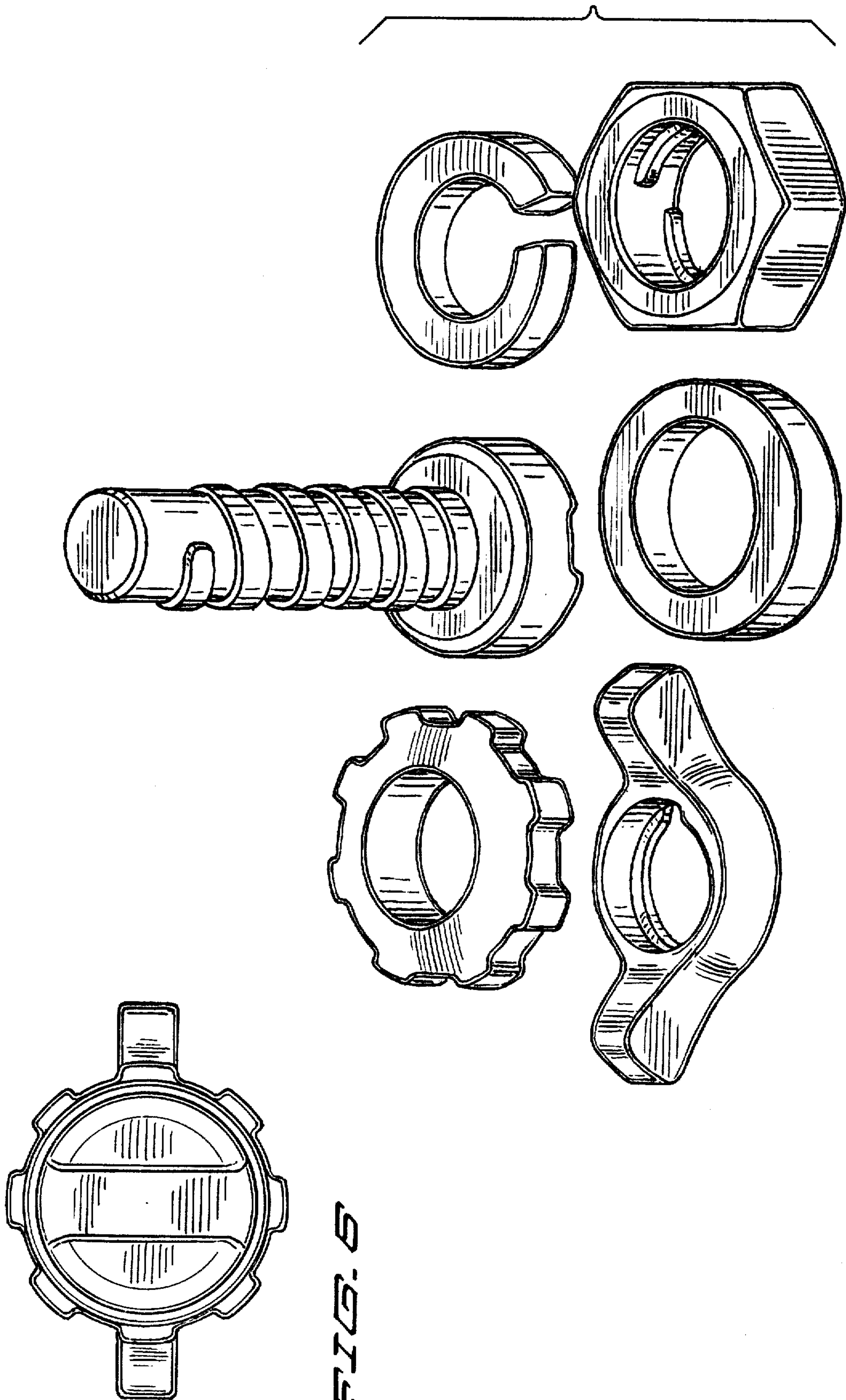


FIG. 6

FIG. 7