

[54] LABELER

[75] Inventor: Tokio Wada, Nagareyamashi, Japan

[73] Assignee: Kabushiki Kaisha Shinsei Industries, Tokyo, Japan

[**] Term: 14 Years

[21] Appl. No.: 319,873

[22] Filed: Nov. 9, 1981

[30] Foreign Application Priority Data

May 30, 1981 [JP] Japan 56-23094

[51] Int. Cl. D18-99

[52] U.S. Cl. D18/19

[58] Field of Search D18/13, 14, 18, 19, D18/22, 99; D19/68; D8/49, 50; 101/288; 156/384, DIG. 48, DIG. 49

[56] References Cited

U.S. PATENT DOCUMENTS

D. 247,390 2/1978 Sato D18/19

D. 253,243 10/1979 Sato D18/19
D. 259,495 6/1981 Wada D18/19
4,377,435 3/1983 Fujita 156/384

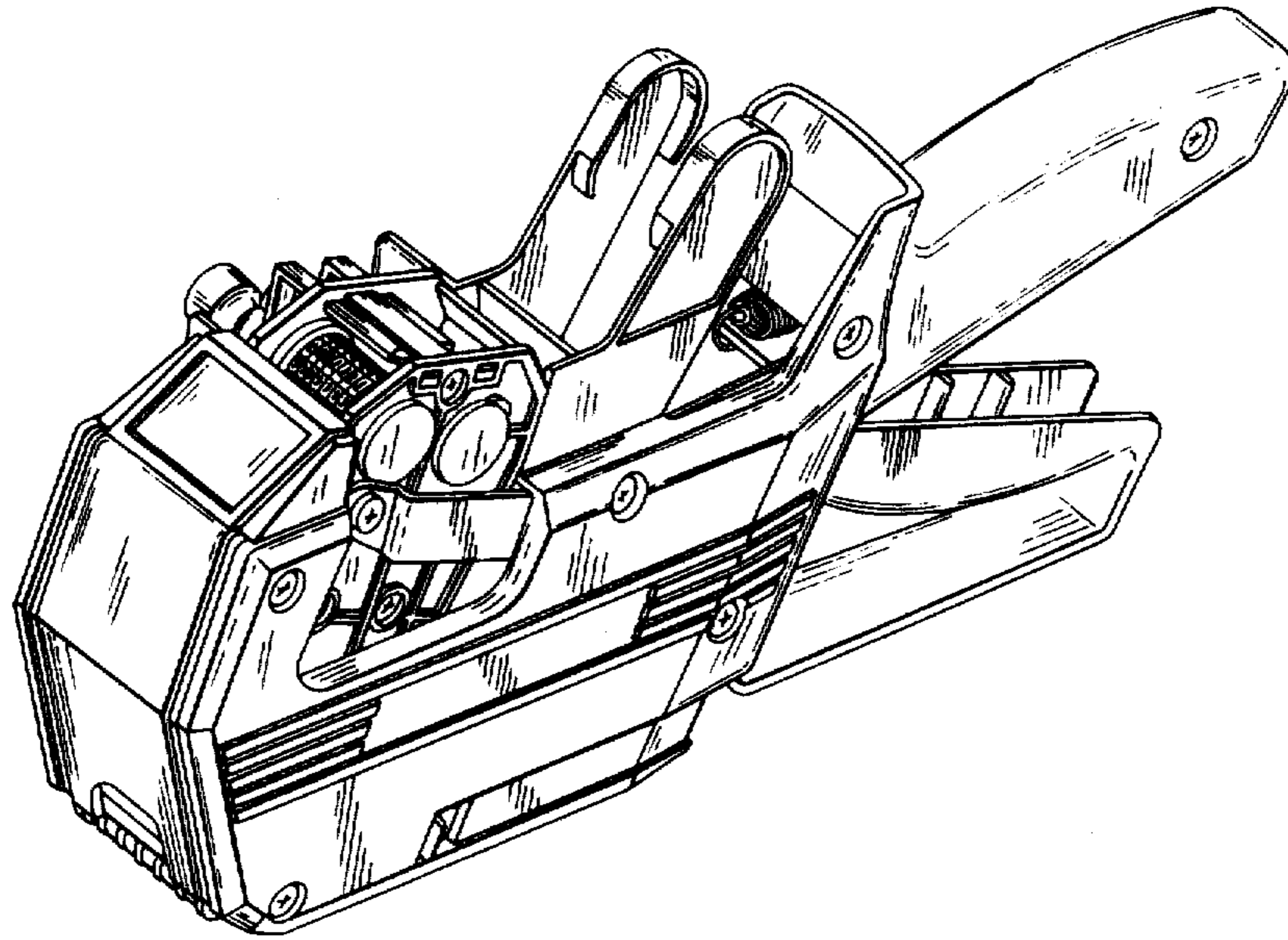
Primary Examiner—Louis S. Zarfes
Attorney, Agent, or Firm—Wenderoth, Lind & Ponack

[57] CLAIM

The ornamental design for labeler, substantially as shown and described.

DESCRIPTION

FIG. 1 is a front elevational view of a labeler showing my new design;
FIG. 2 is a rear elevational view thereof;
FIG. 3 is an end elevational view of one end thereof;
FIG. 4 is an end elevational view of the other end thereof;
FIG. 5 is a bottom plan view thereof;
FIG. 6 is a top plan view thereof;
FIG. 7 is a perspective view thereof taken from above and to the left in FIG. 1; and
FIG. 8 is a perspective view thereof taken from below and to the left in FIG. 2.



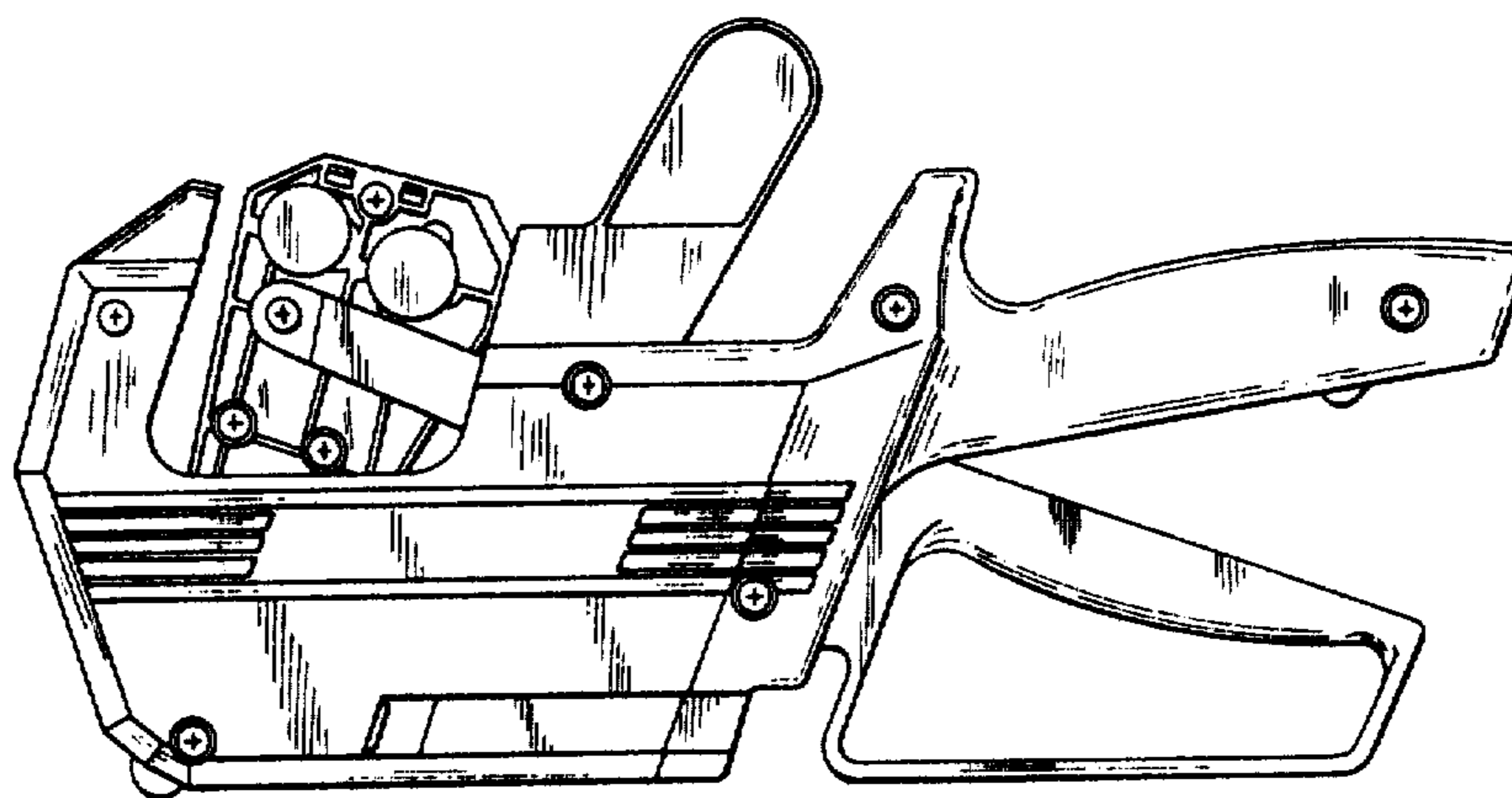


FIG. 1

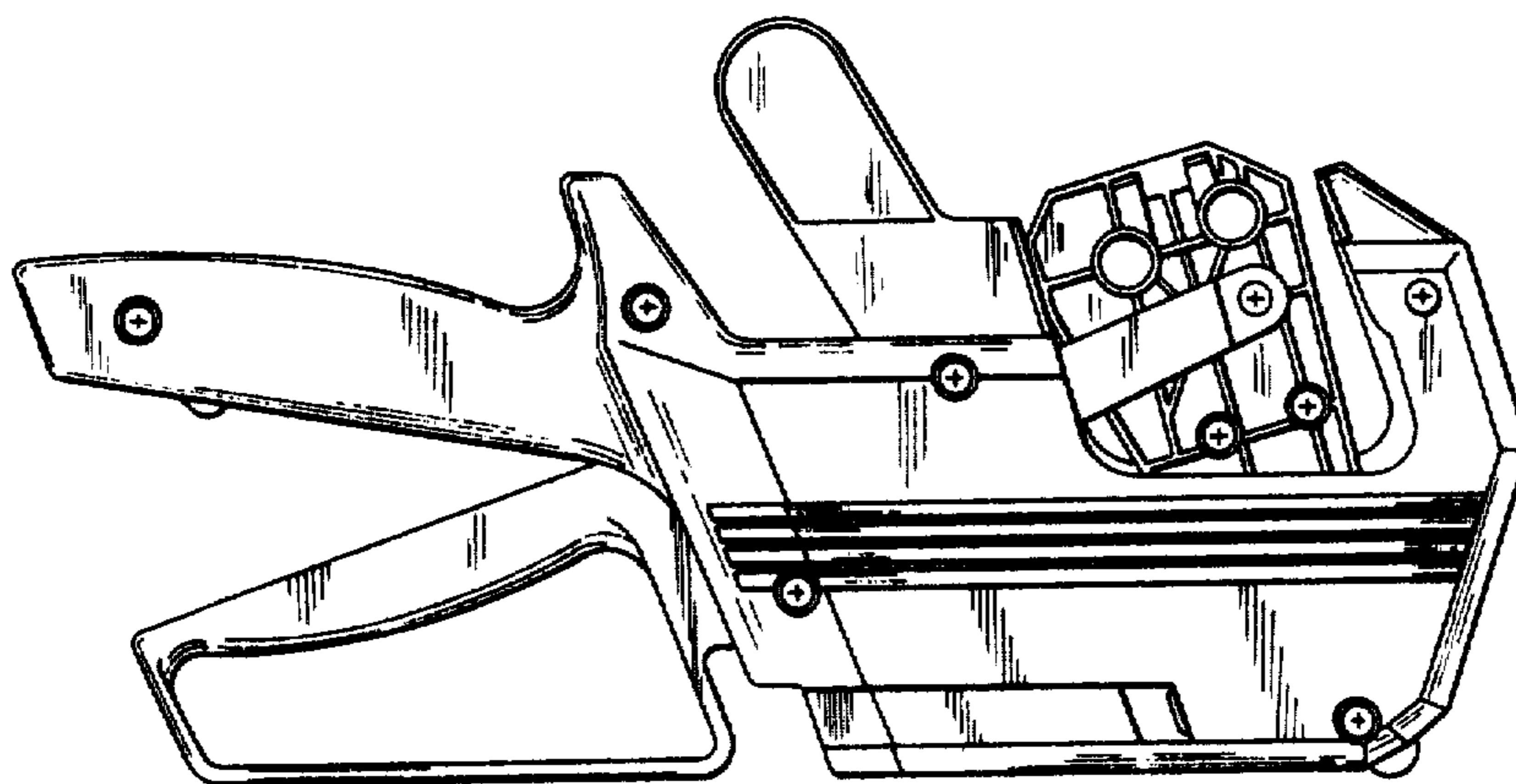


FIG. 2

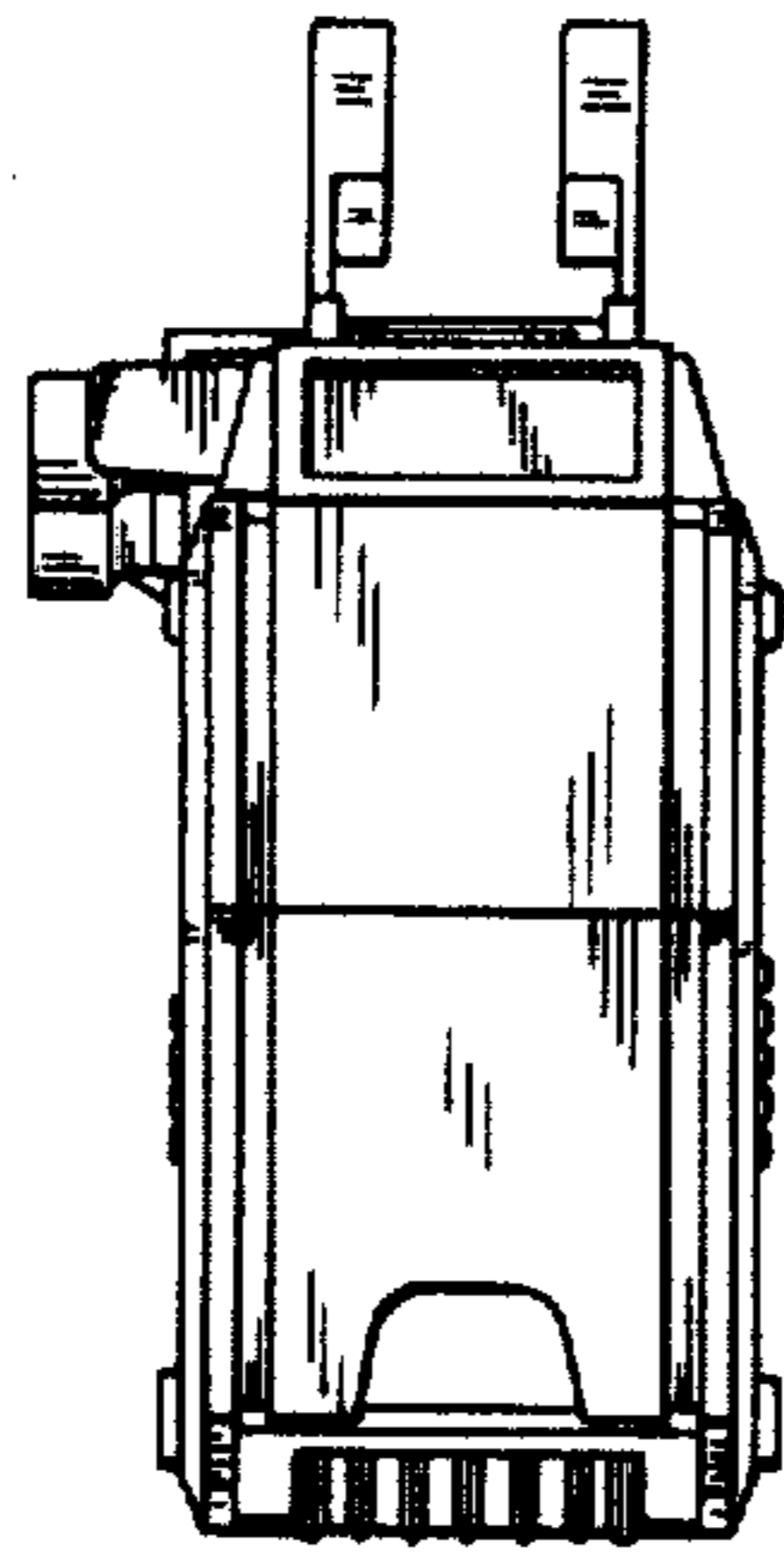


FIG. 3

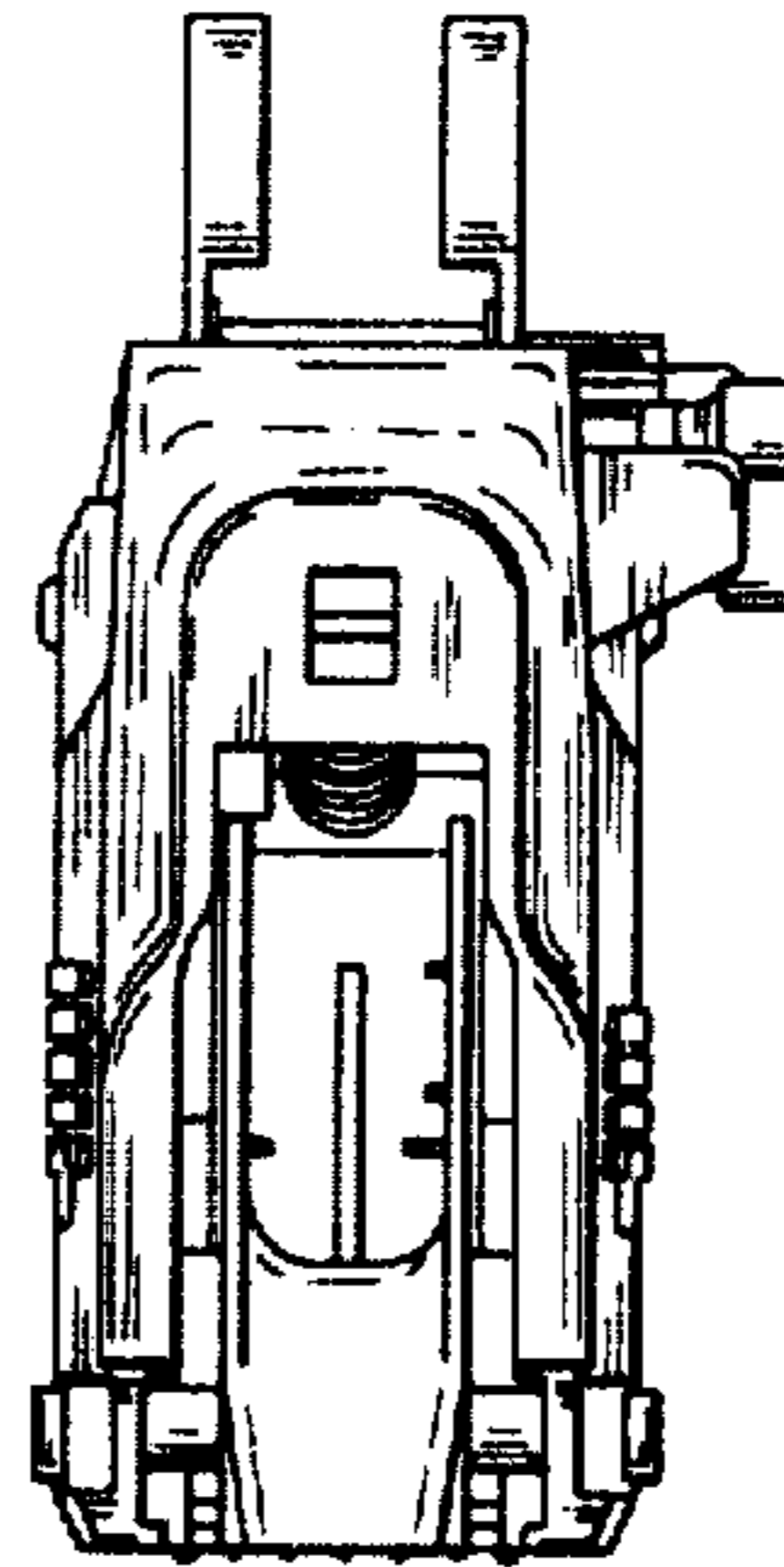


FIG. 4

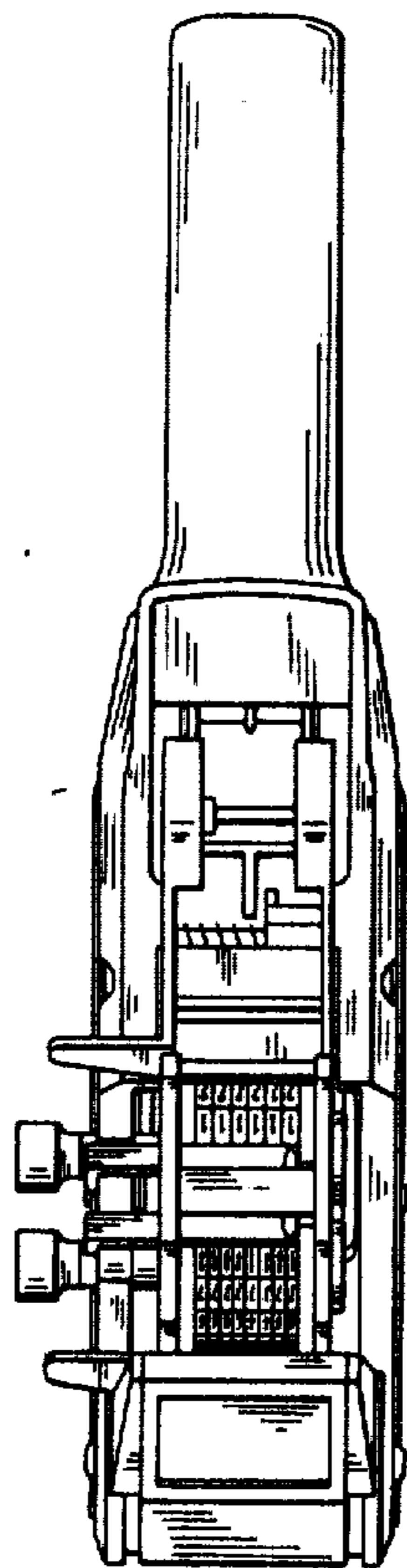


FIG. 6

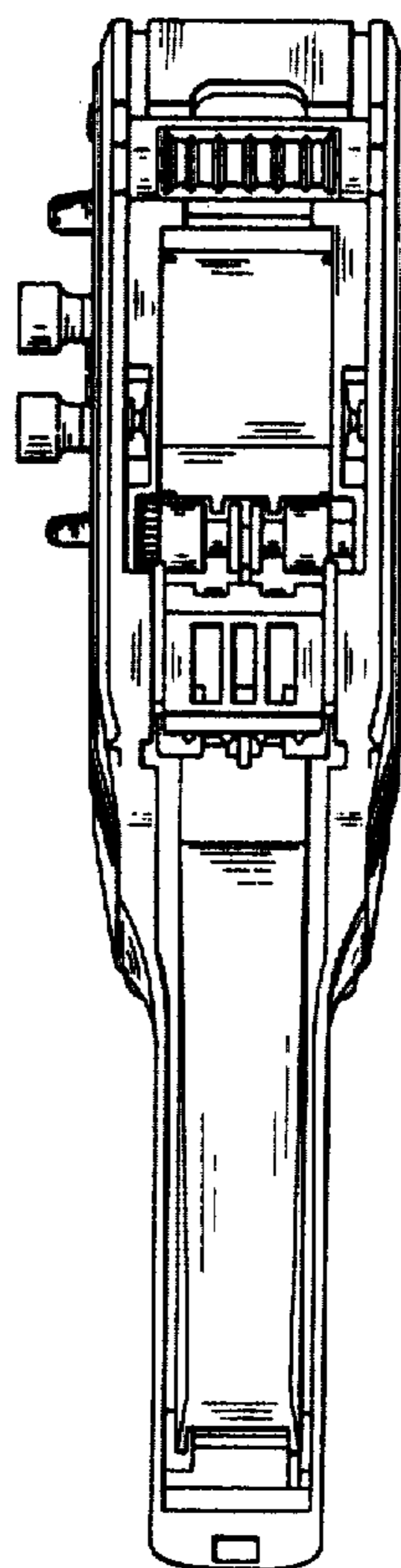
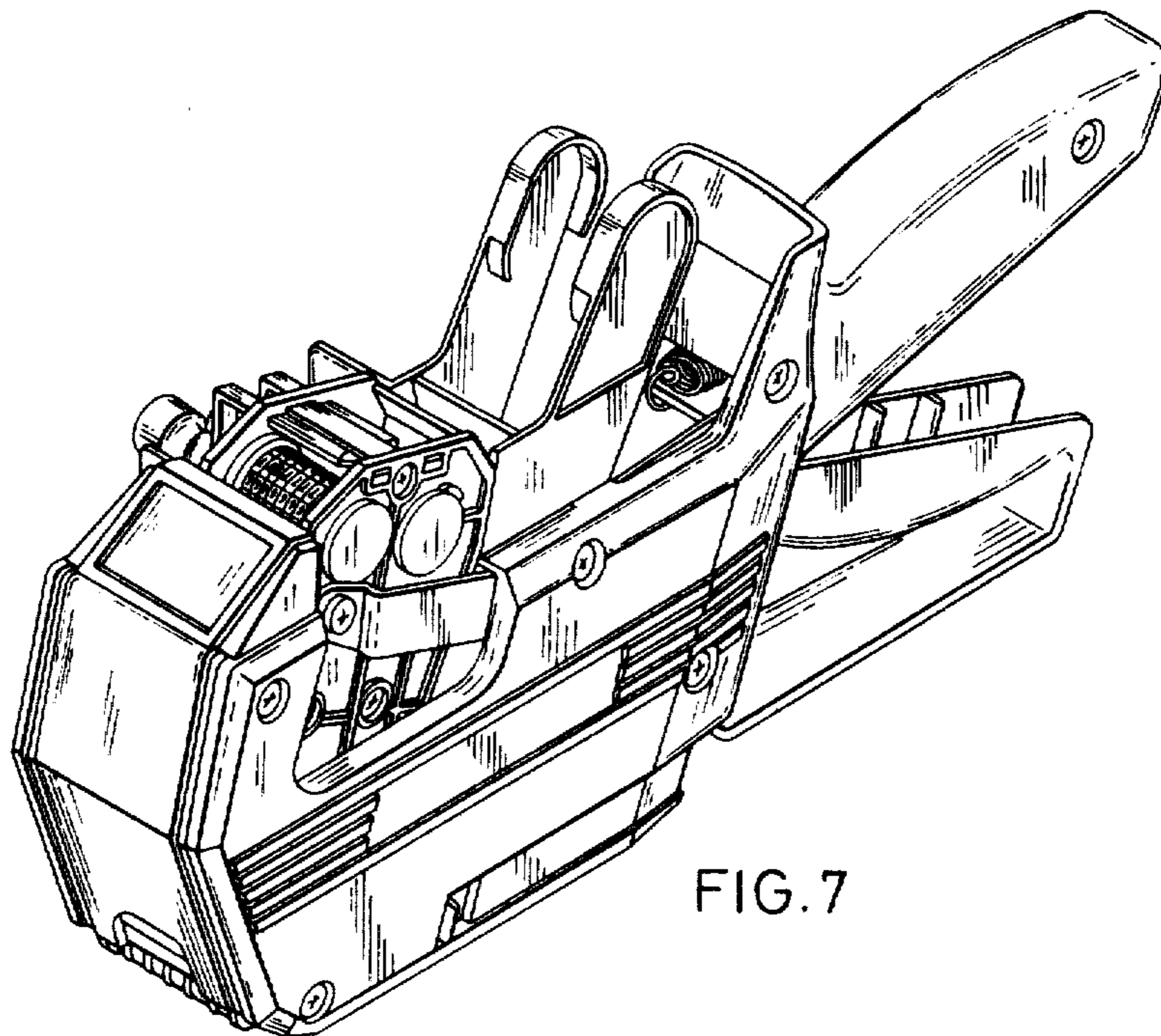


FIG. 5



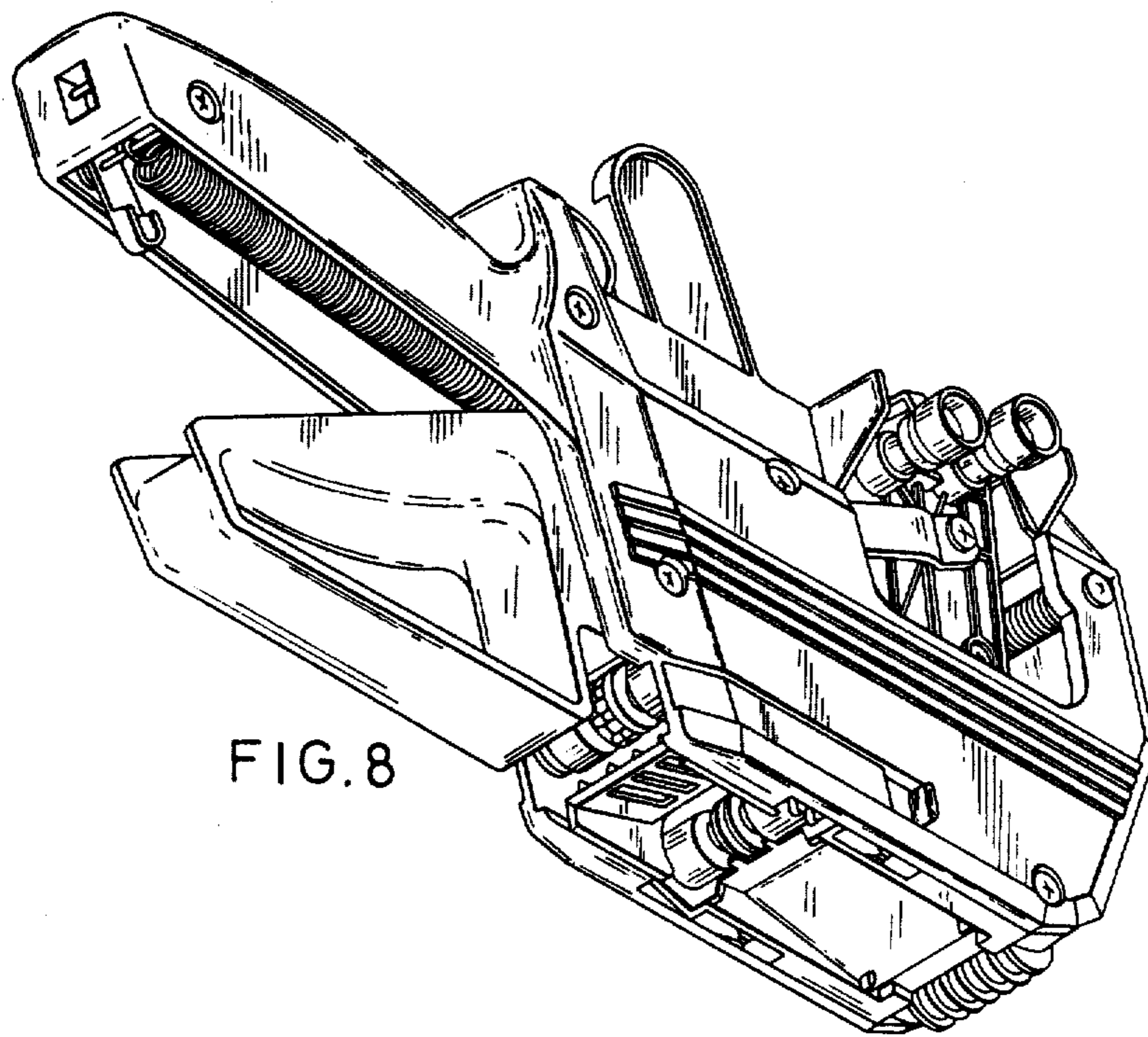


FIG. 8