

[54] FAMILY PAGER TRANSMITTER DEVICE OR SIMILAR ARTICLE

[75] Inventors: Ka W. Wong, Ngau Tau Kok, China; Albert K. H. Au, Wanchai, Hong Kong

[73] Assignee: Mattel, Inc., Hawthorne, Calif.

[\*\*] Term: 14 Years

[21] Appl. No.: 335,965

[22] Filed: Dec. 30, 1981

[51] Int. Cl. .... D14-03

[52] U.S. Cl. .... D14/95; D14/68

[58] Field of Search .... D14/68, 95, 52; D10/106, 52; 339/177 E, 91 R; 340/365 E, 696, 365 R; 455/89, 90, 347, 351

[56] References Cited

U.S. PATENT DOCUMENTS

- D. 255,118 5/1980 Van Horn et al. .... D14/95 X
- D. 255,882 7/1980 Kim ..... D14/95 X
- D. 263,474 3/1982 Tokiyama ..... D14/68 X
- D. 264,968 6/1982 Iwata ..... D14/95

- D. 264,969 6/1982 McGourty ..... D14/95 X
- 4,134,070 1/1979 Henderson et al. .... 455/89

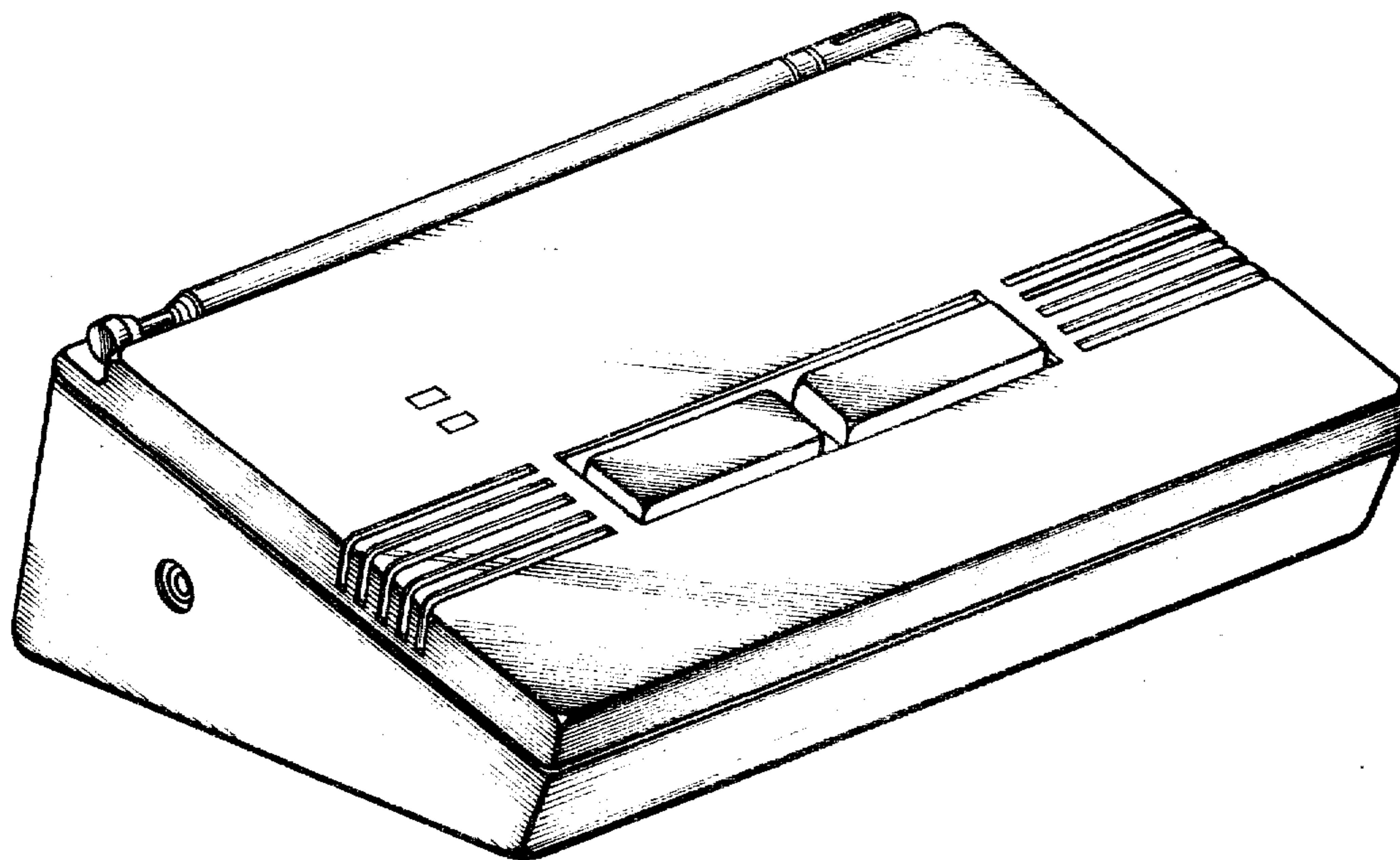
Primary Examiner—Bernard Ansher  
Attorney, Agent, or Firm—Ronald M. Goldman; Max E. Shirk; James G. O'Neill

[57] CLAIM

The ornamental design for a family pager transmitter device or similar article, as shown and described.

DESCRIPTION

FIG. 1 is a top front perspective view of a family pager transmitter device showing my new design;  
 FIG. 2 is a plan view of the design shown in FIG. 1 showing the upper inclined surface thereof true size;  
 FIG. 3 is a bottom plan view of the design of FIG. 1;  
 FIG. 4 is a front elevation view of the design of FIG. 1;  
 FIG. 5 is a right-side elevation view of the design of FIG. 1;  
 FIG. 6 is a left-side elevation view of the design of FIG. 1;  
 FIG. 7 is a rear elevation view of the design of FIG. 1;  
 and  
 FIG. 8 is a top plan view of the design of FIG. 1.



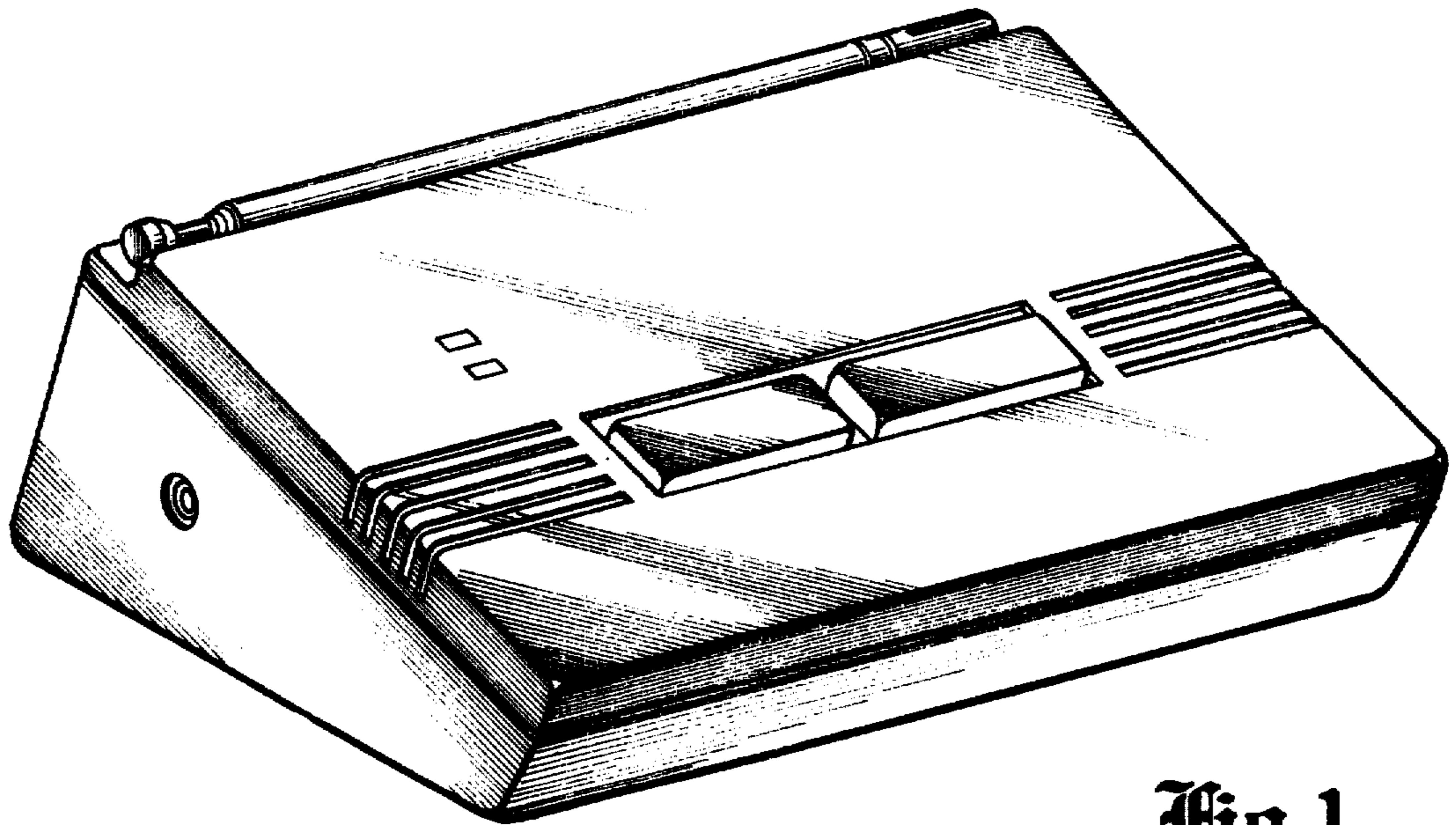


Fig. 1.

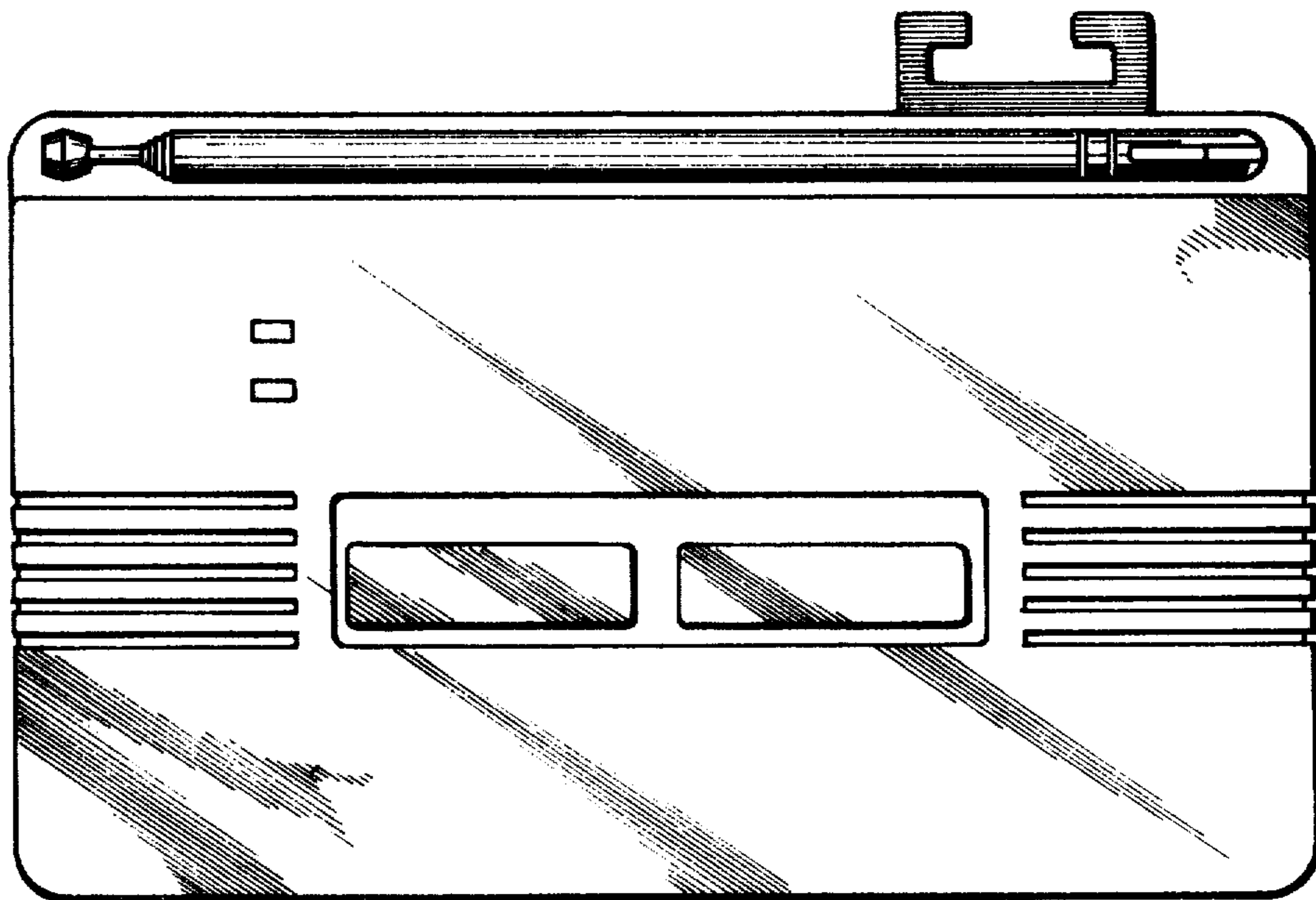


Fig. 2.

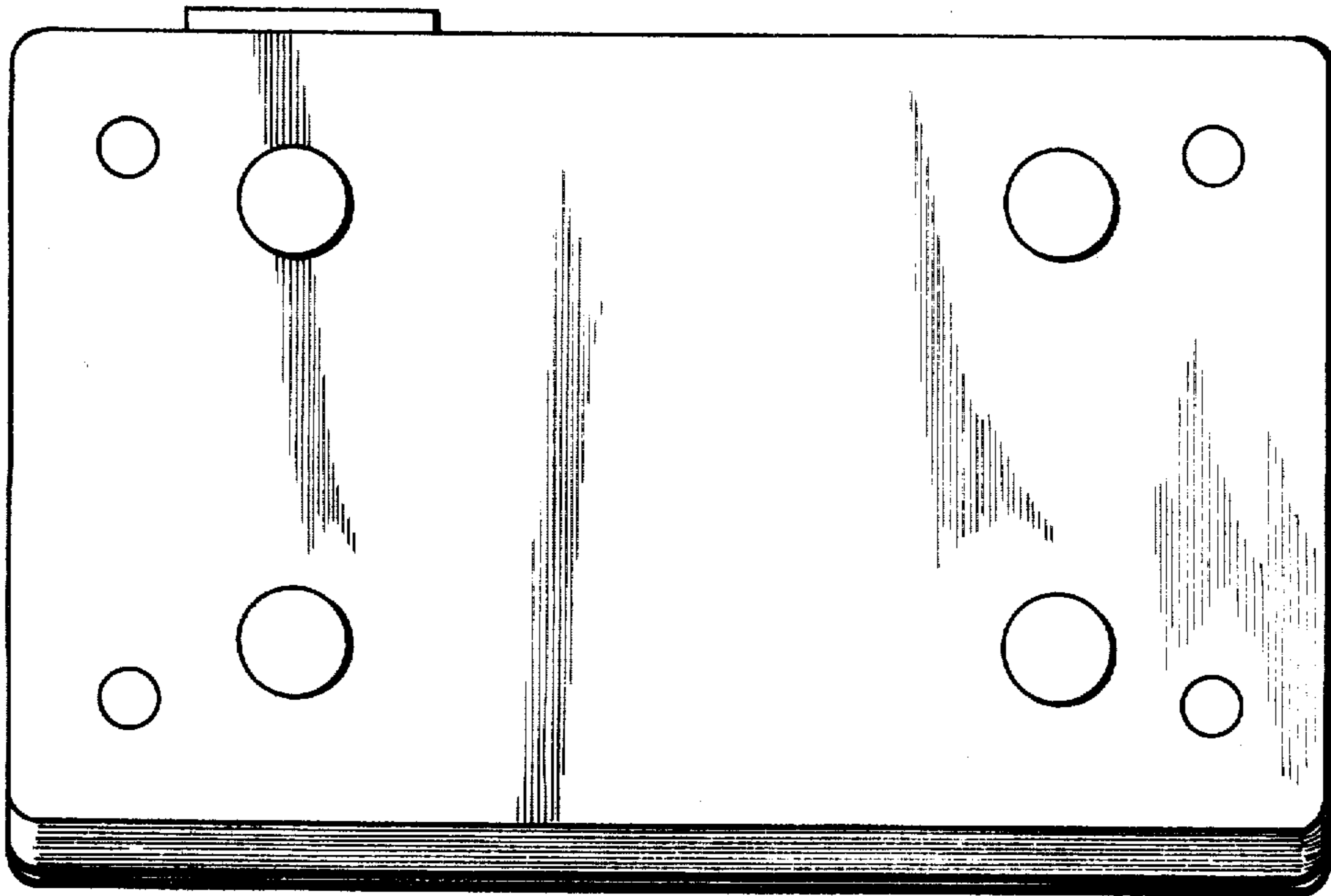


Fig. 3.

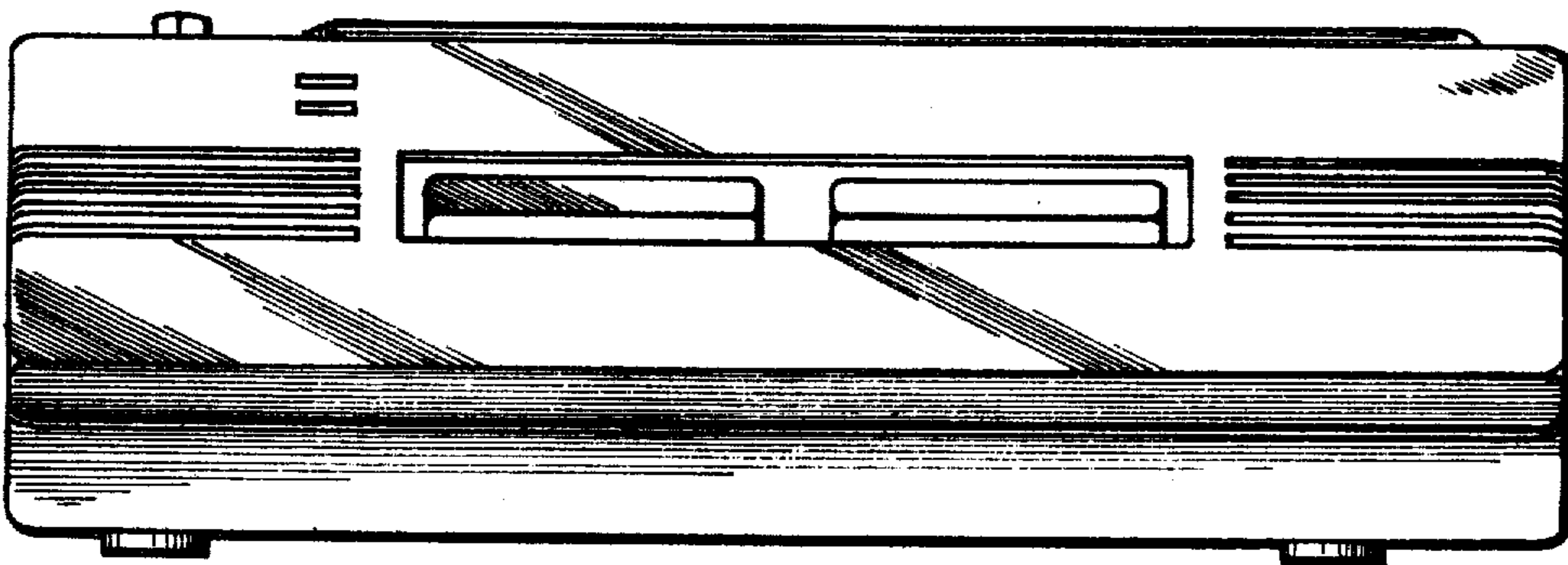


Fig. 4.

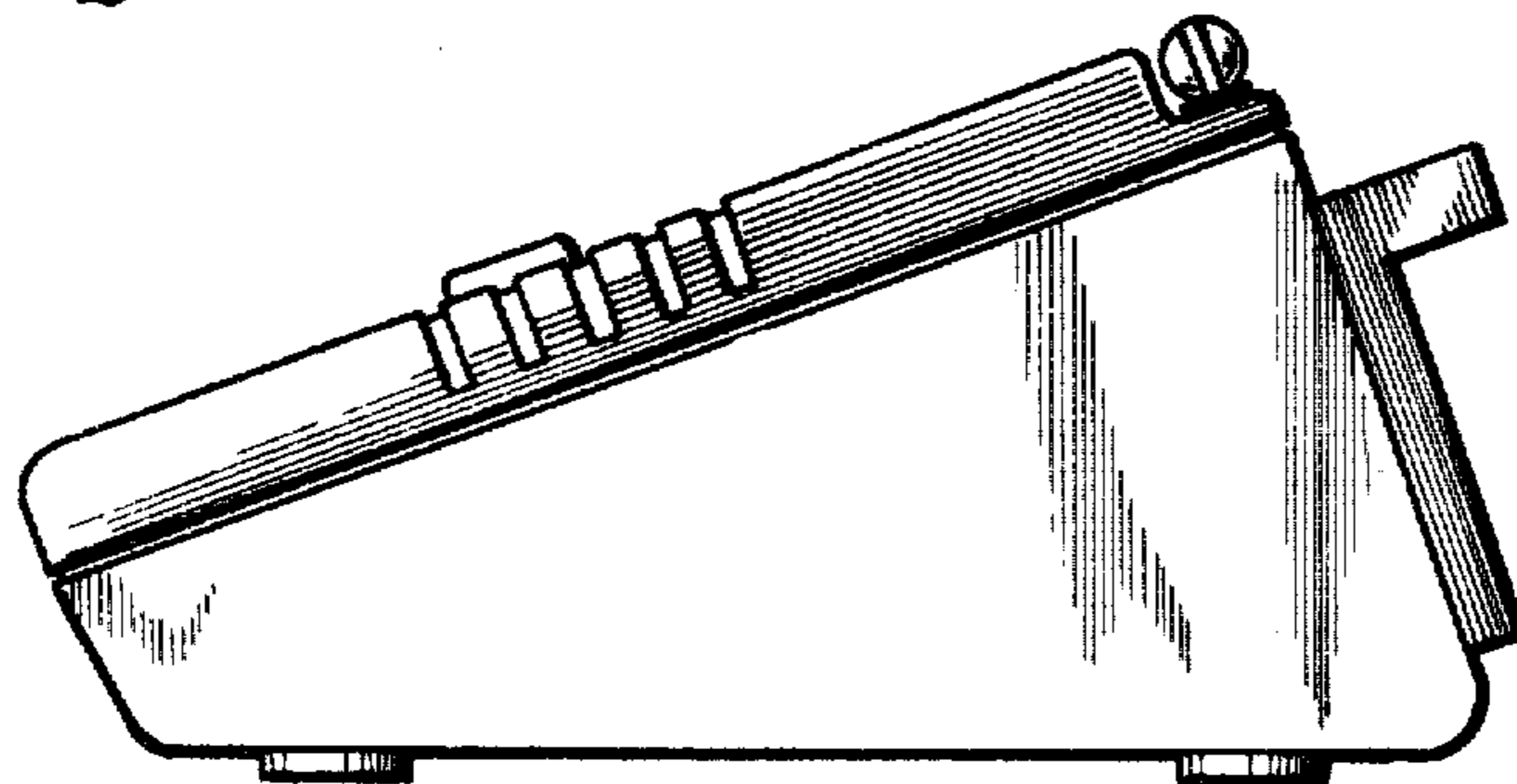
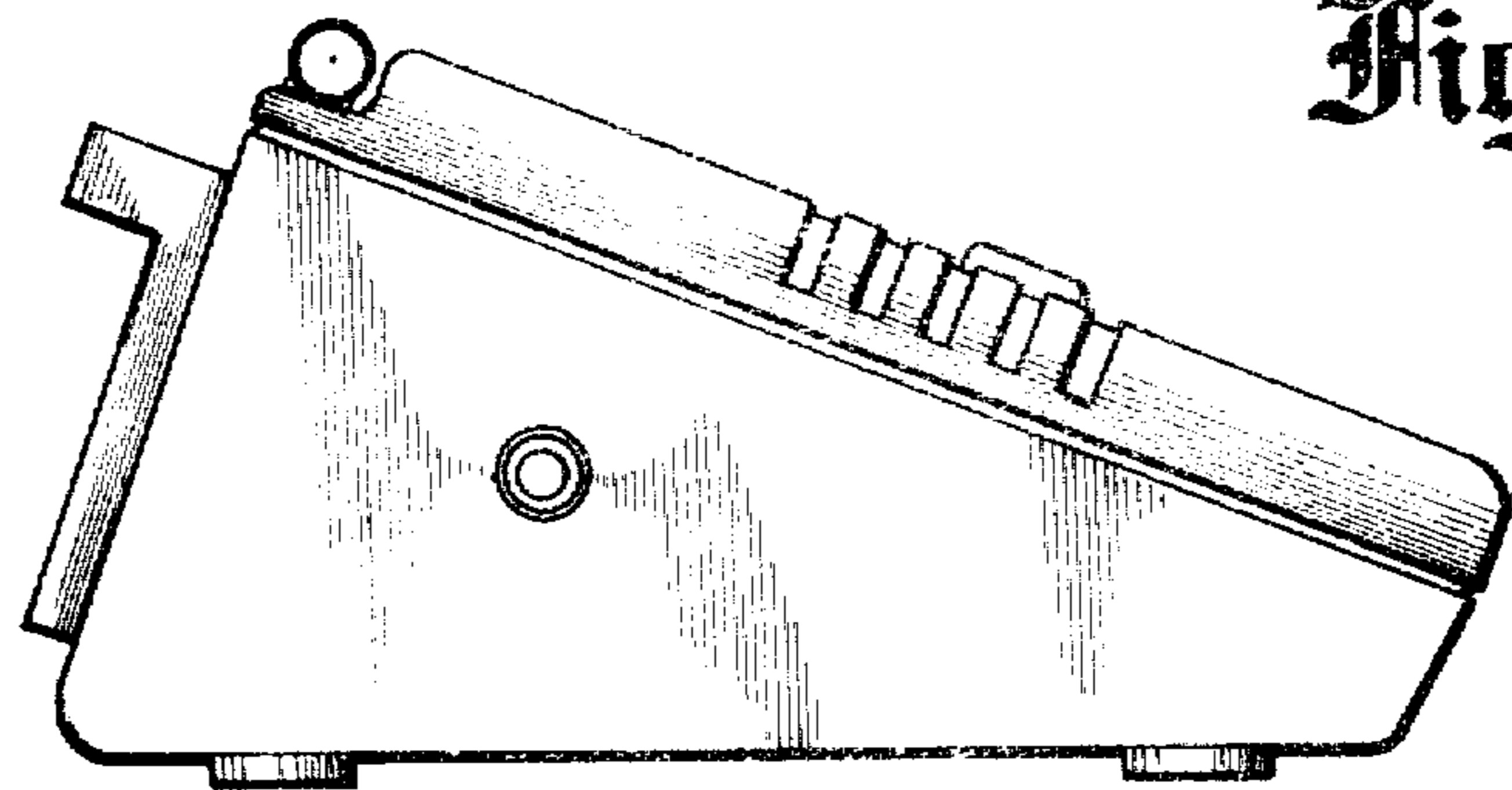
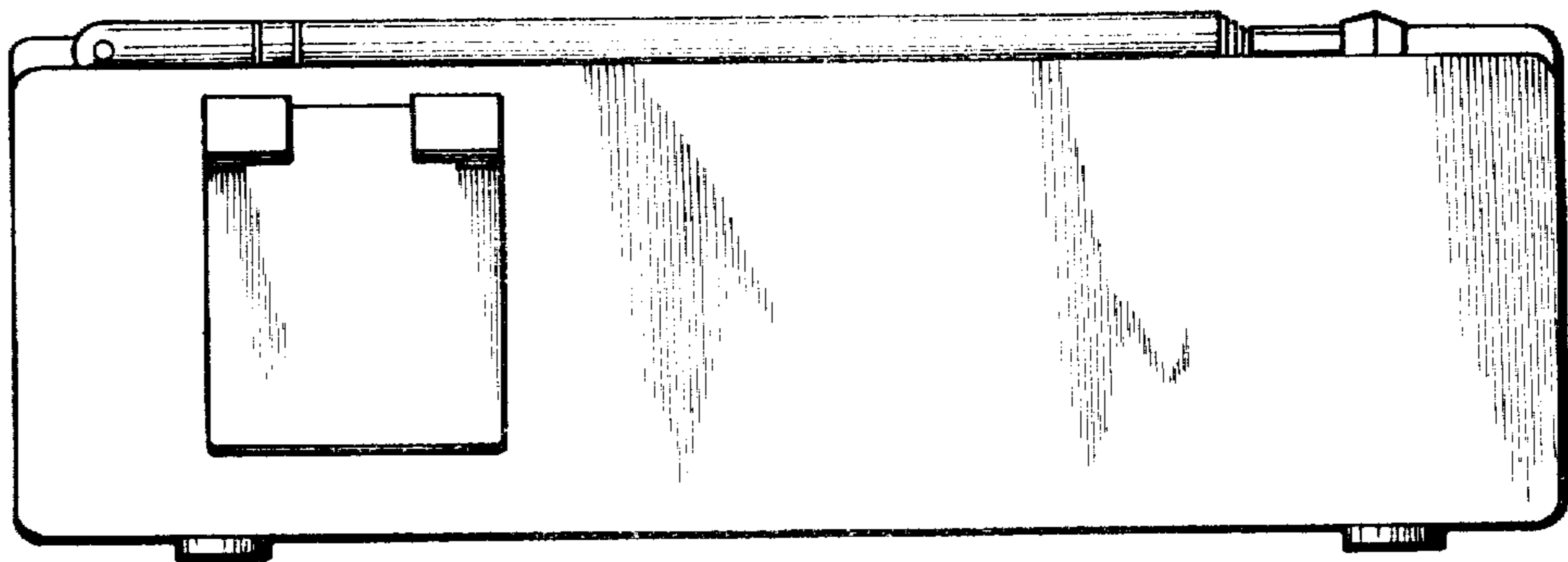


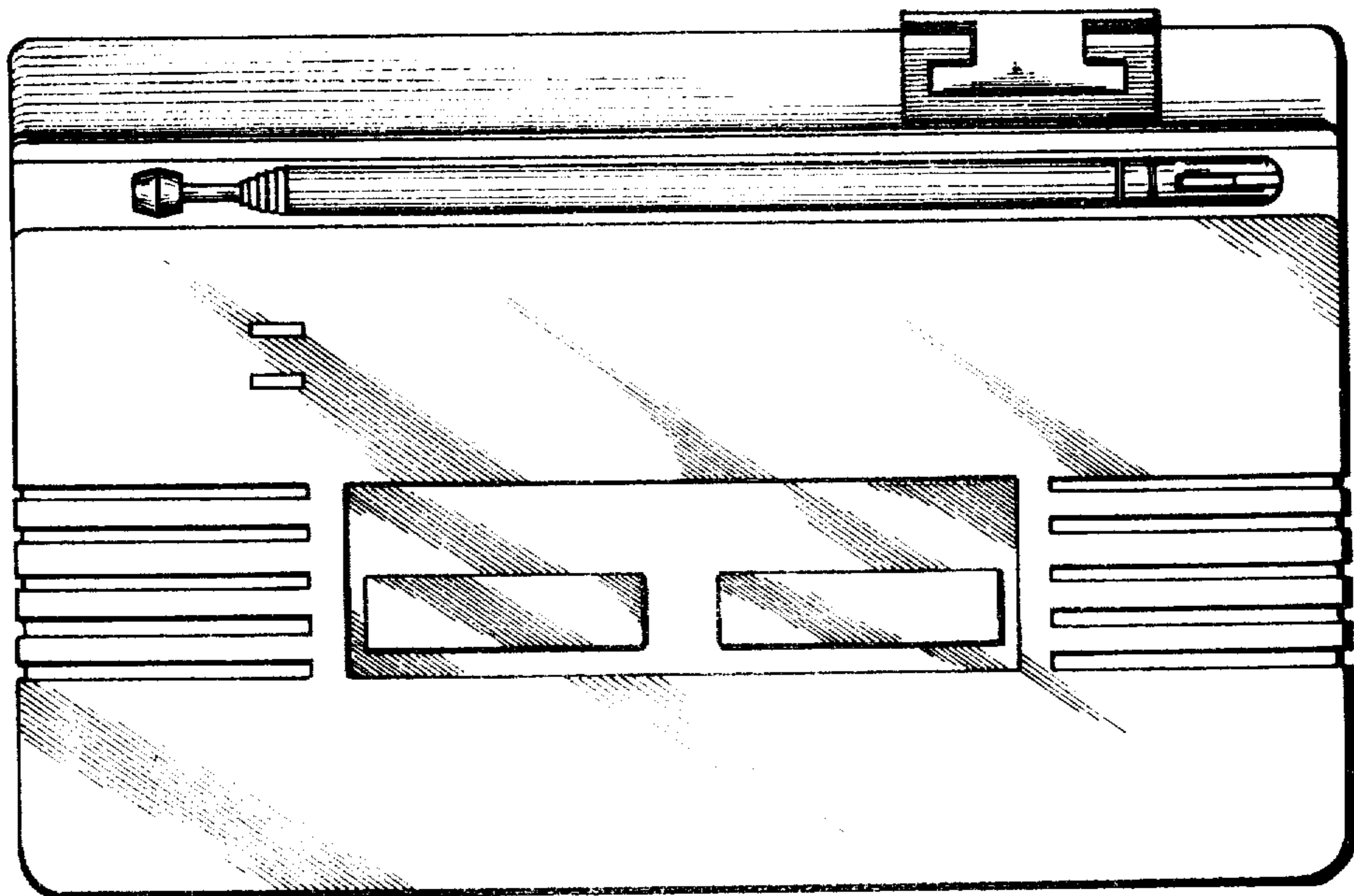
Fig. 5.



**Fig. 6.**



**Fig. 7.**



**Fig. 8.**