

[54] CLIP ON DEVICE FOR LOCKING TOUCH TONE TELEPHONES

[75] Inventor: Woodrow T. Morrow, Mesa, Ariz.

[73] Assignee: Woodmar Company, Dewey, Ariz.

[**] Term: 14 Years

[21] Appl. No.: 272,492

[22] Filed: Jun. 11, 1981

[51] Int. Cl. D14-03

[52] U.S. Cl. D14/59; D8/331

[58] Field of Search D14/59; 179/189; 70/57; D8/331

[56] References Cited

U.S. PATENT DOCUMENTS

D. 208,576	9/1967	Reisner	D14/59
D. 230,737	3/1974	Roof	D14/59
D. 239,179	3/1976	Haber	D14/59
D. 245,520	8/1977	Smith et al.	D14/59
3,780,234	12/1973	Roof	179/189 R
4,081,630	3/1978	Washburn et al.	179/189 R

4,303,809	12/1981	Rubinstein et al.	179/189 D
4,304,971	12/1981	Flax	179/189 D

Primary Examiner—Bernard Ansher
Attorney, Agent, or Firm—Warren F. B. Lindsley

[57] CLAIM

The ornamental design for the clip on device for locking touch tone telephones, as shown and described.

DESCRIPTION

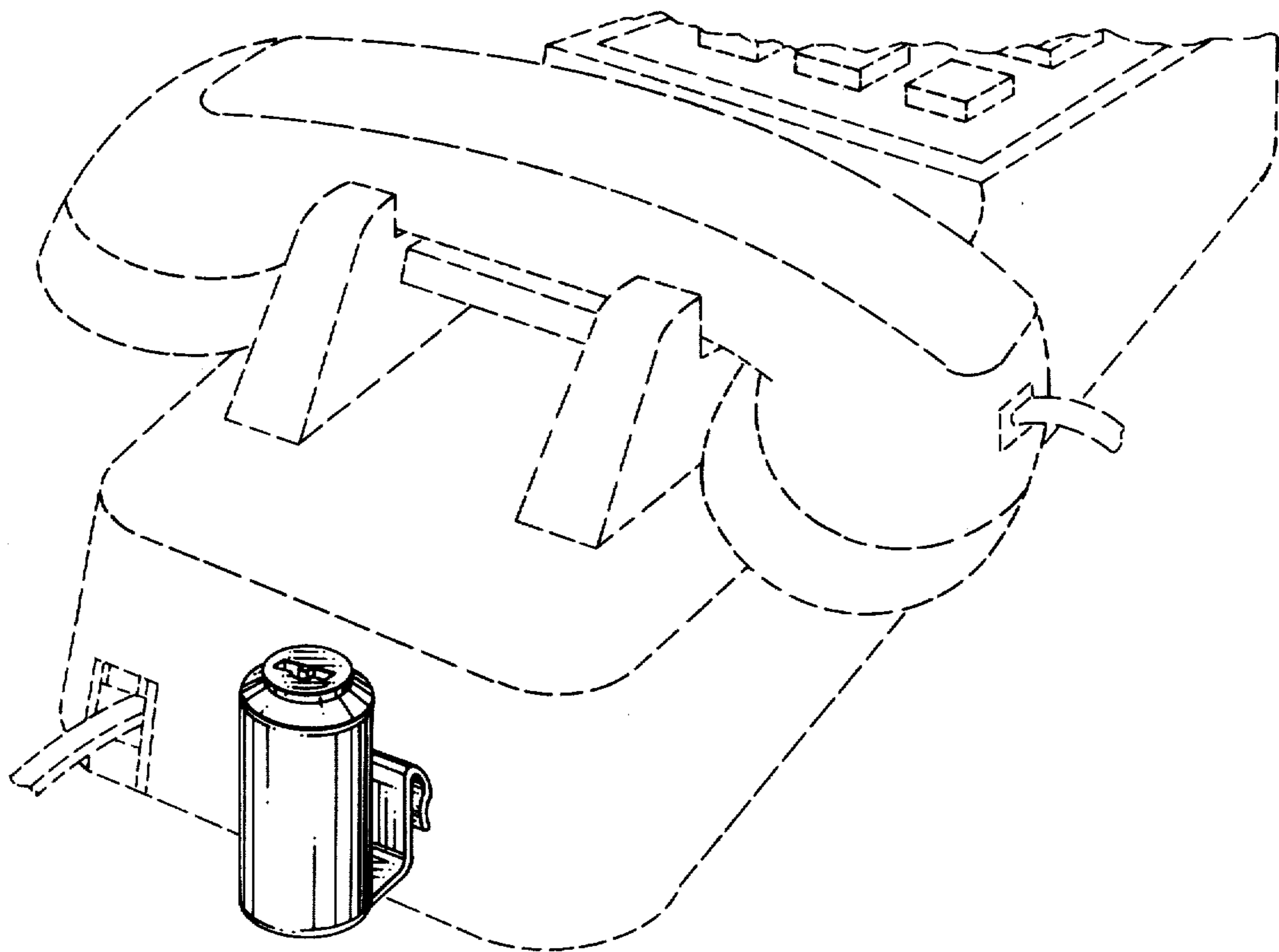
FIG. 1 is a partial perspective view of the front, right side and top of the clip on device for locking touch tone telephones, with the back of a telephone receiver shown in dash lines for purposes of illustration including one position where said device may be mounted on a telephone;

FIG. 2 is a left side view of the clip on device shown in FIG. 1;

FIG. 3 is a bottom plan view of the clip on device shown in FIG. 1;

FIG. 4 is a top plan view of the clip on device shown in FIG. 1; and

FIG. 5 is a perspective view of the left side and bottom of the clip on device shown in FIG. 1.



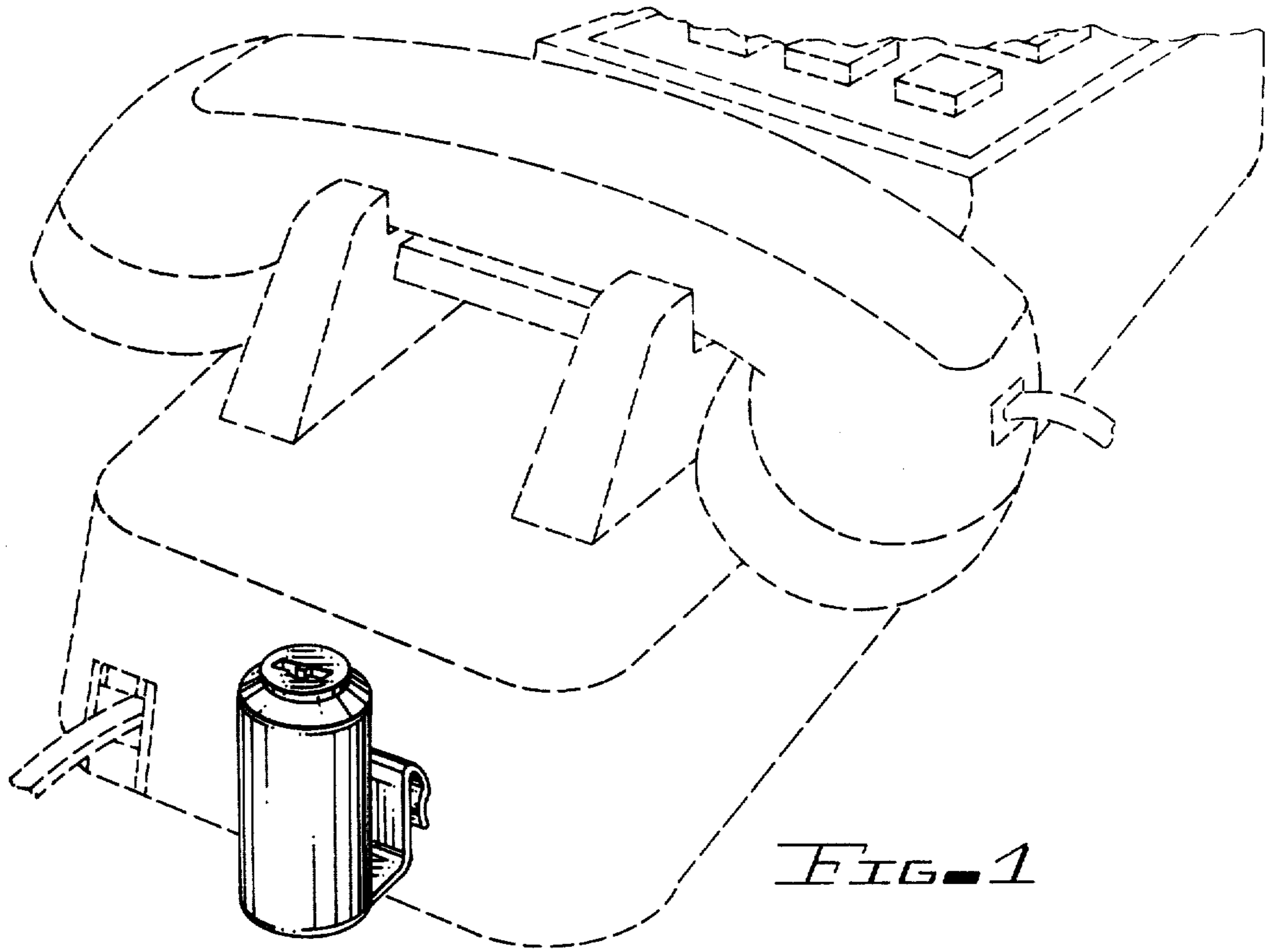


FIG. 1

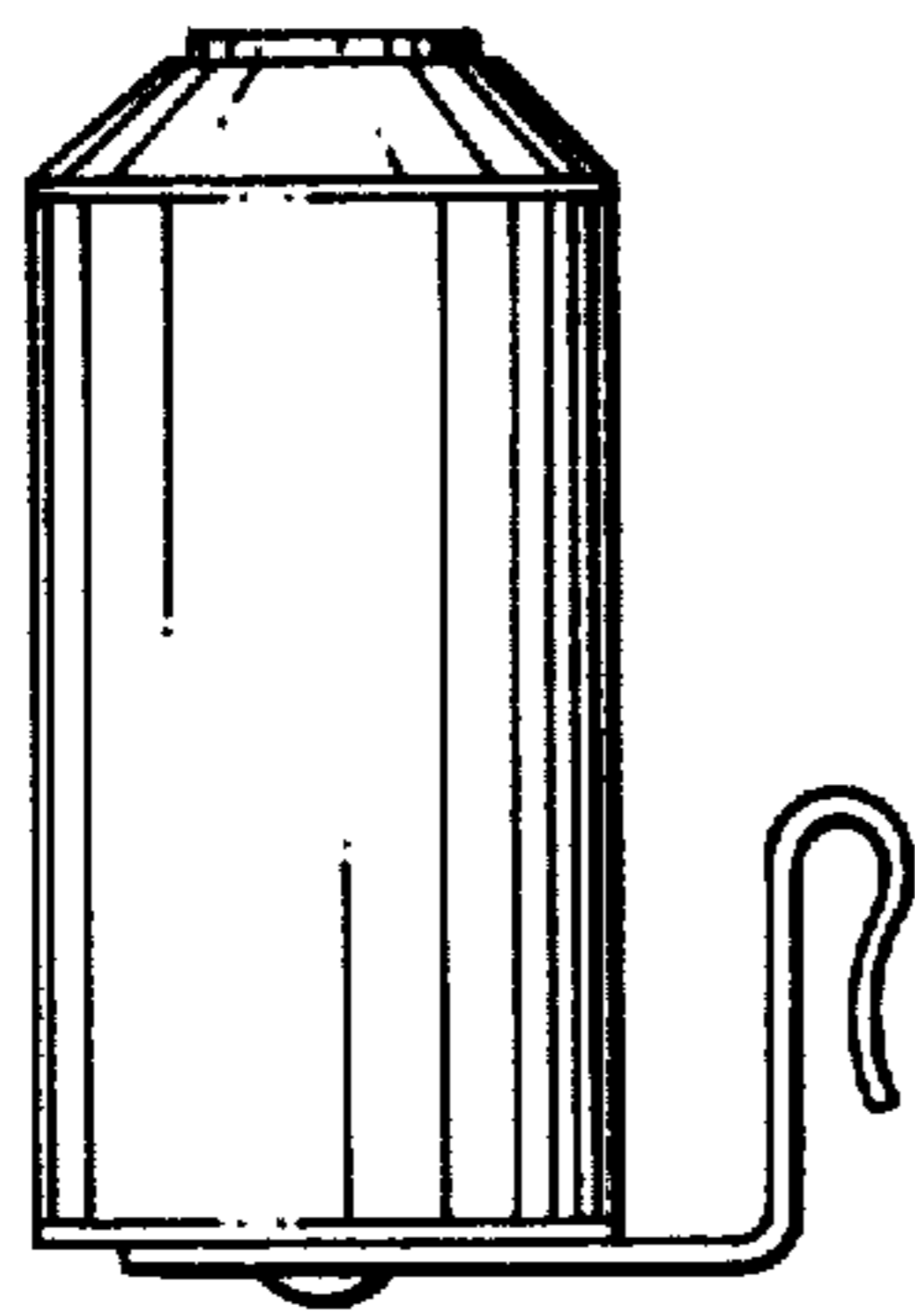


FIG. 2

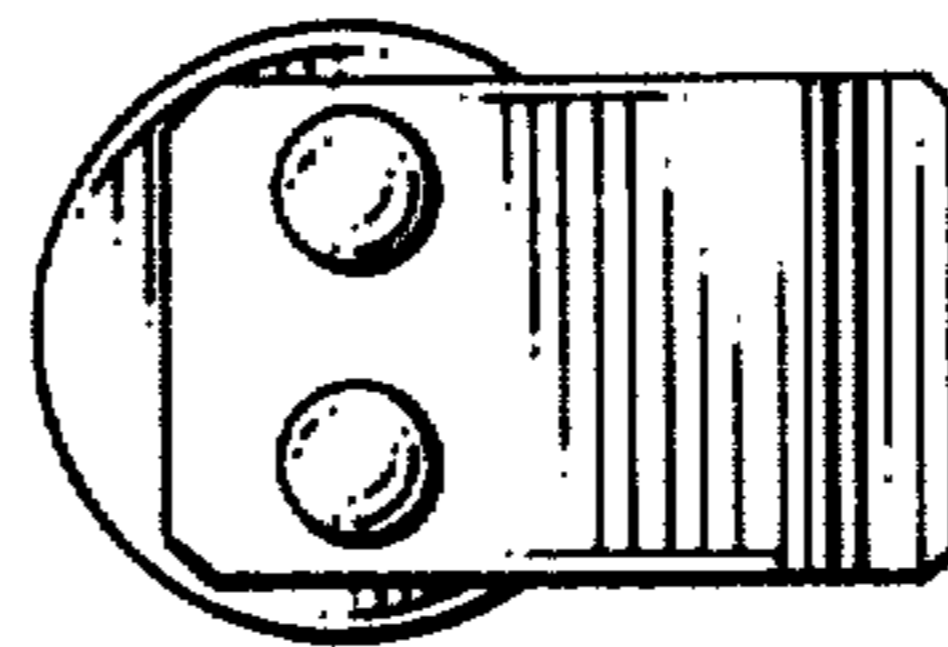


FIG. 3

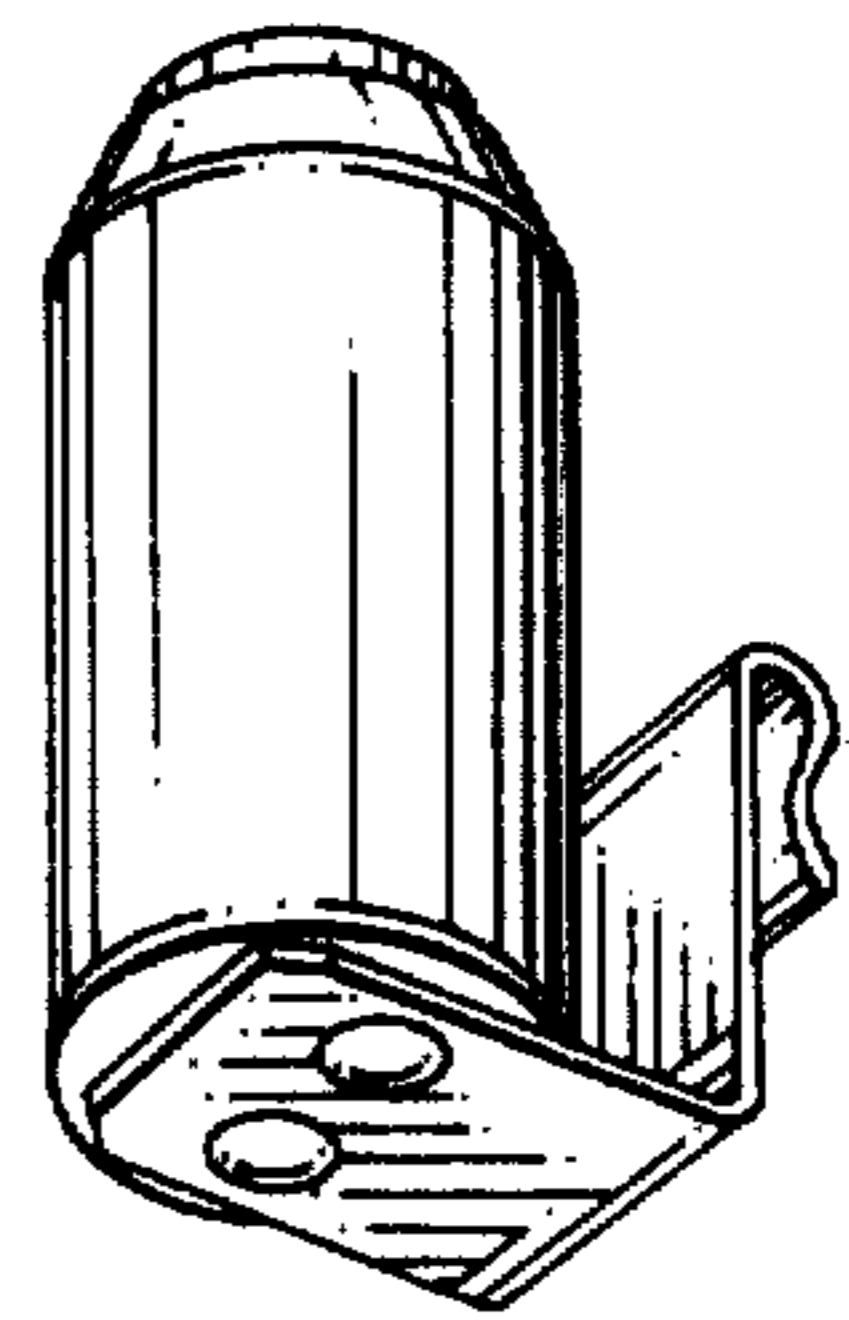


FIG. 5

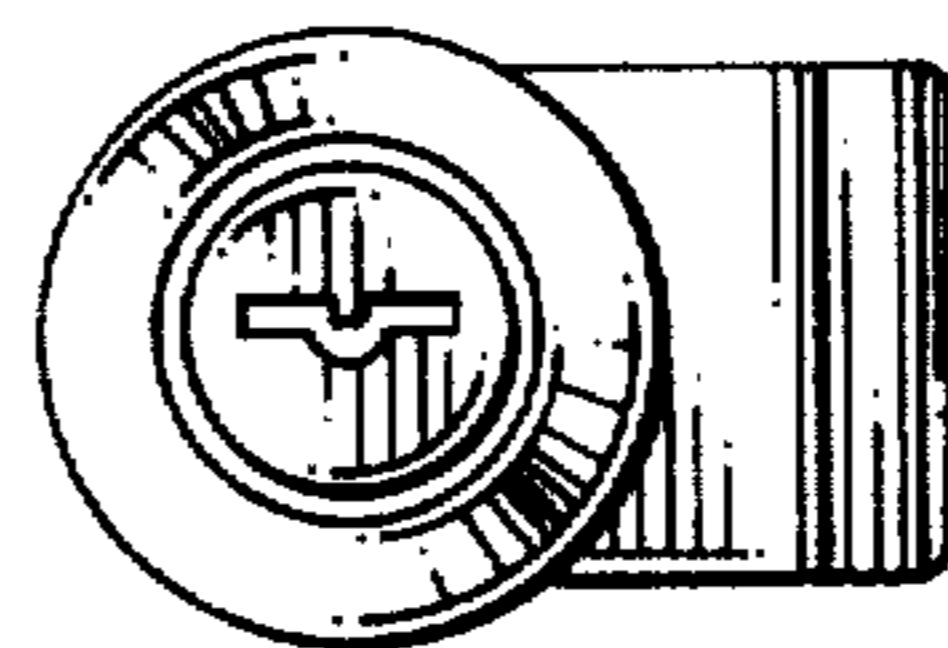


FIG. 4