

[54] COMBINED TELEPHONE HANDSET AND BASE STATION THEREFOR

[75] Inventors: John C. Coons; Jean M. Beirise, both of Cincinnati, Ohio

[73] Assignee: Masco Corporation of Indiana, Taylor, Mich.

[**] Term: 14 Years

[21] Appl. No.: 259,604

[22] Filed: May 1, 1981

[51] Int. Cl. D14-03

[52] U.S. Cl. D14/53; D14/58

[58] Field of Search D14/60, 53, 58; 179/100 D, 103, 146 R, 178, 179, 100 R

[56] References Cited

U.S. PATENT DOCUMENTS

- D. 264,078 4/1982 Fukushima et al. D14/53
- D. 267,318 12/1982 Fukushima et al. D14/53
- 3,521,008 7/1970 Tyson 179/179 X

- 4,012,601 3/1977 Kehren 179/90 K
- 4,178,488 12/1979 Nishihata 179/103 X

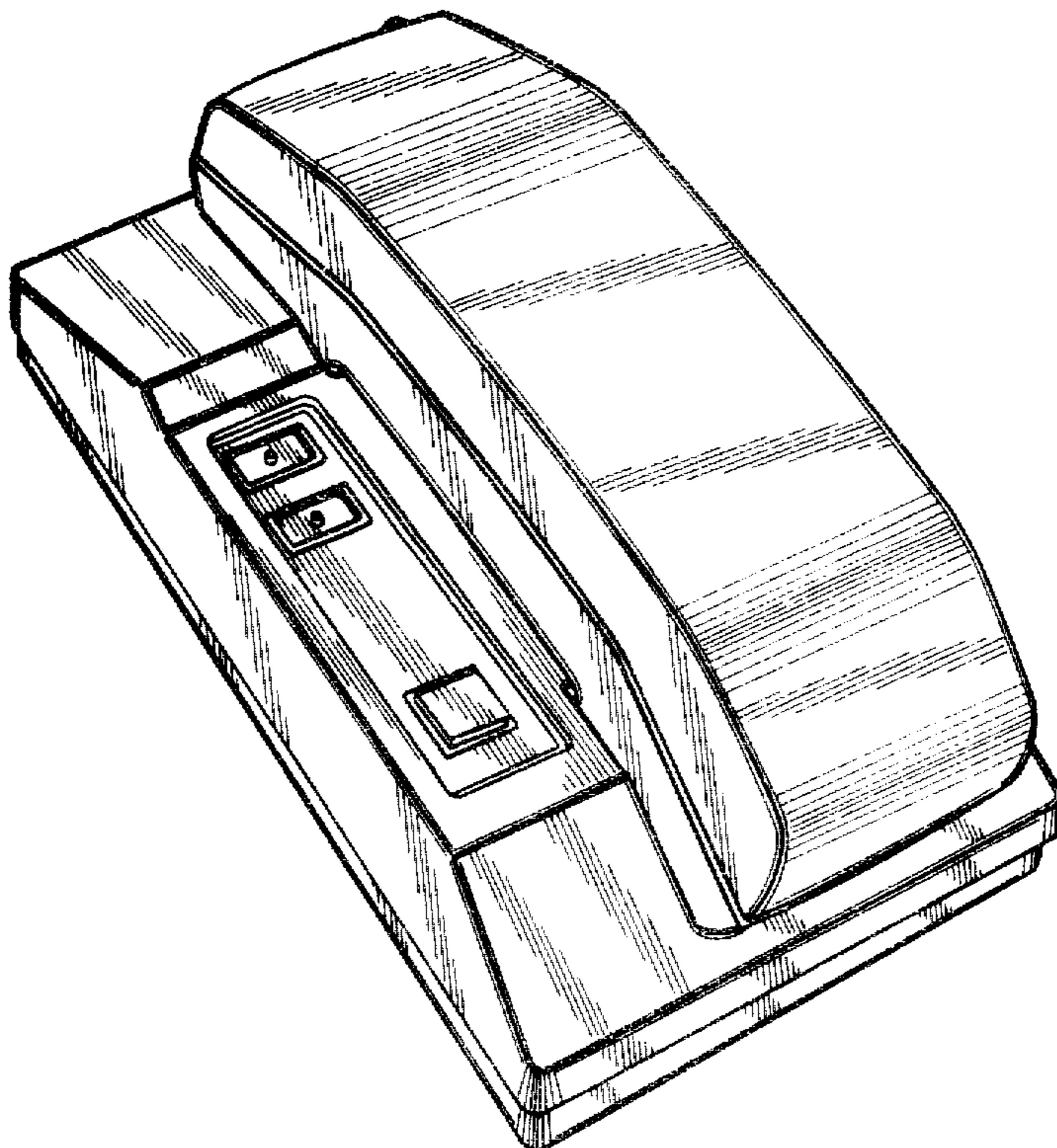
Primary Examiner—Bernard Ansher
Attorney, Agent, or Firm—Steven L. Permut; E. Dennis O'Connor; Leon E. Redman

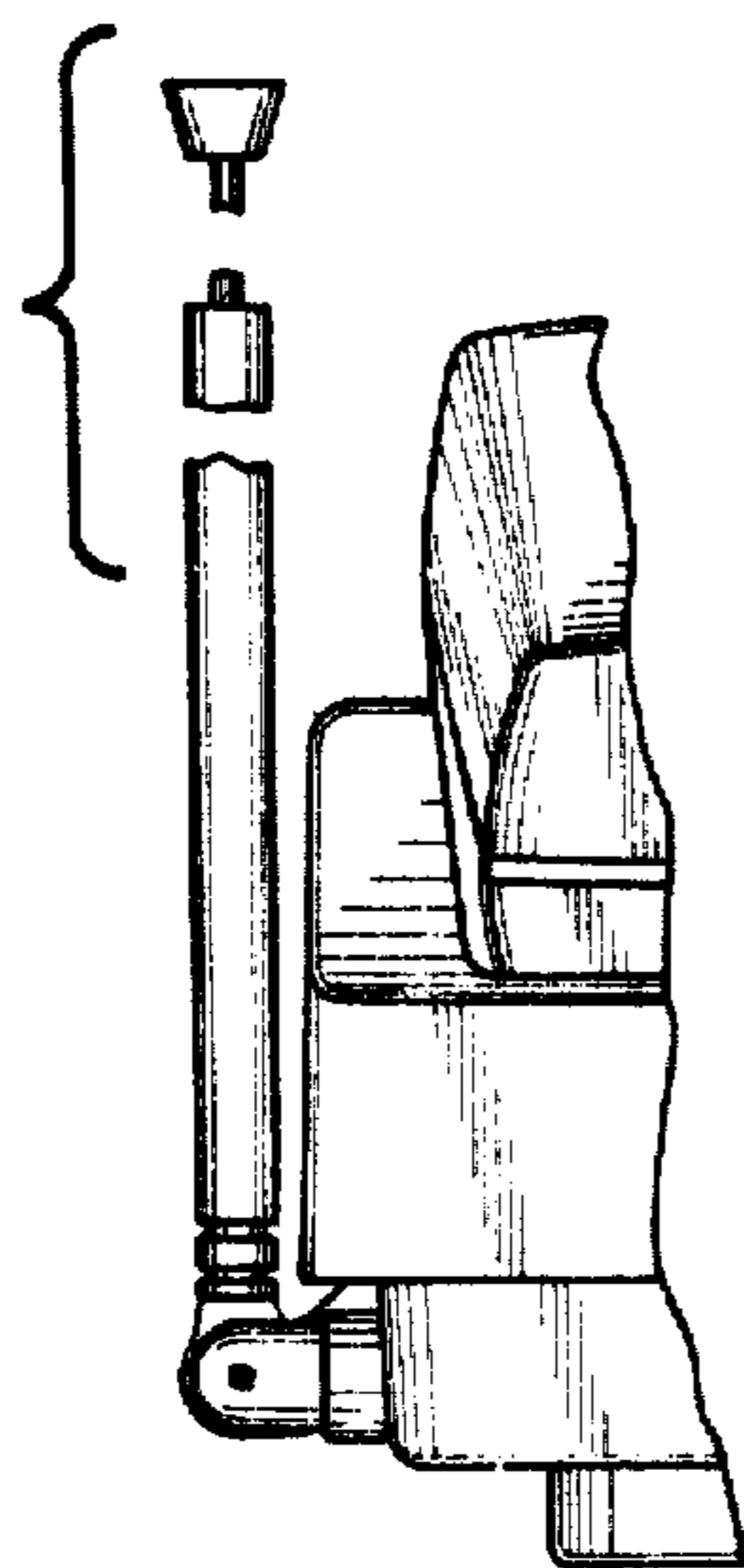
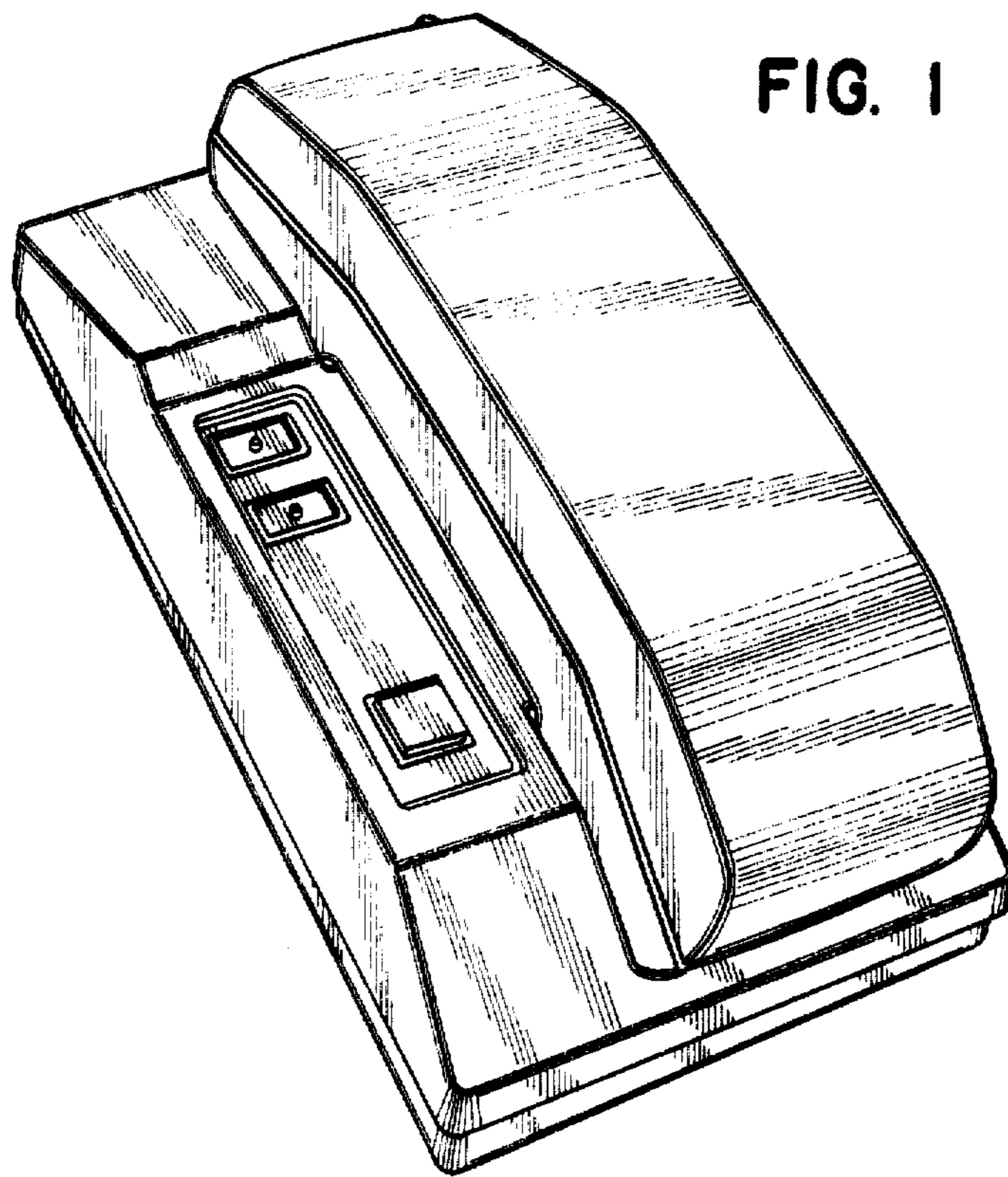
[57] CLAIM

The ornamental design for a combined telephone handset and base station, as shown and described.

DESCRIPTION

FIG. 1 is a top front perspective view of a combined telephone handset and base station therefor, showing our new design;
 FIG. 2 is a top plan view thereof;
 FIG. 3 is a right side elevation thereof;
 FIG. 4 is a front elevation thereof;
 FIG. 5 is a right side elevation thereof;
 FIG. 6 is a bottom plan view thereof;
 FIG. 7 is a rear elevation thereof; and
 FIG. 8 is a fragmentary rear elevation with the antenna broken away in a raised position.





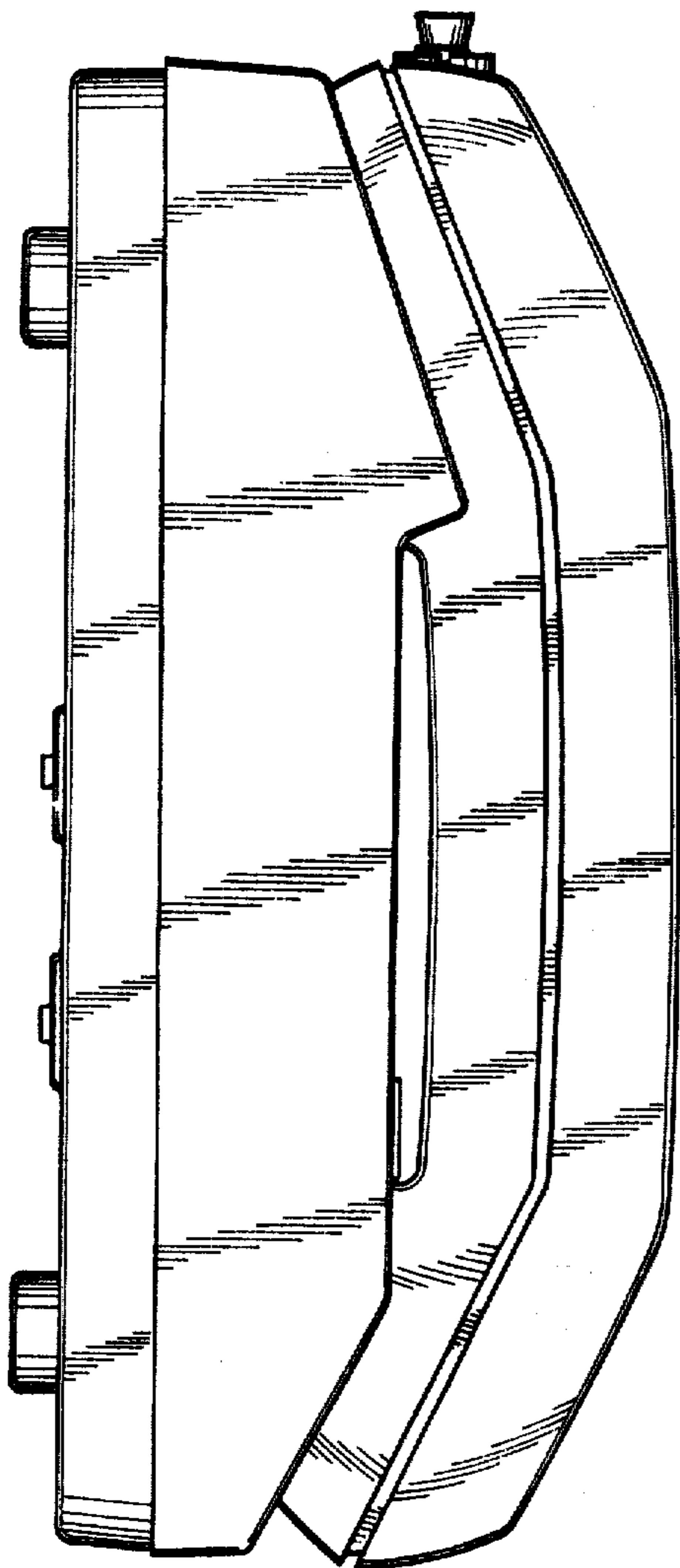


FIG. 3

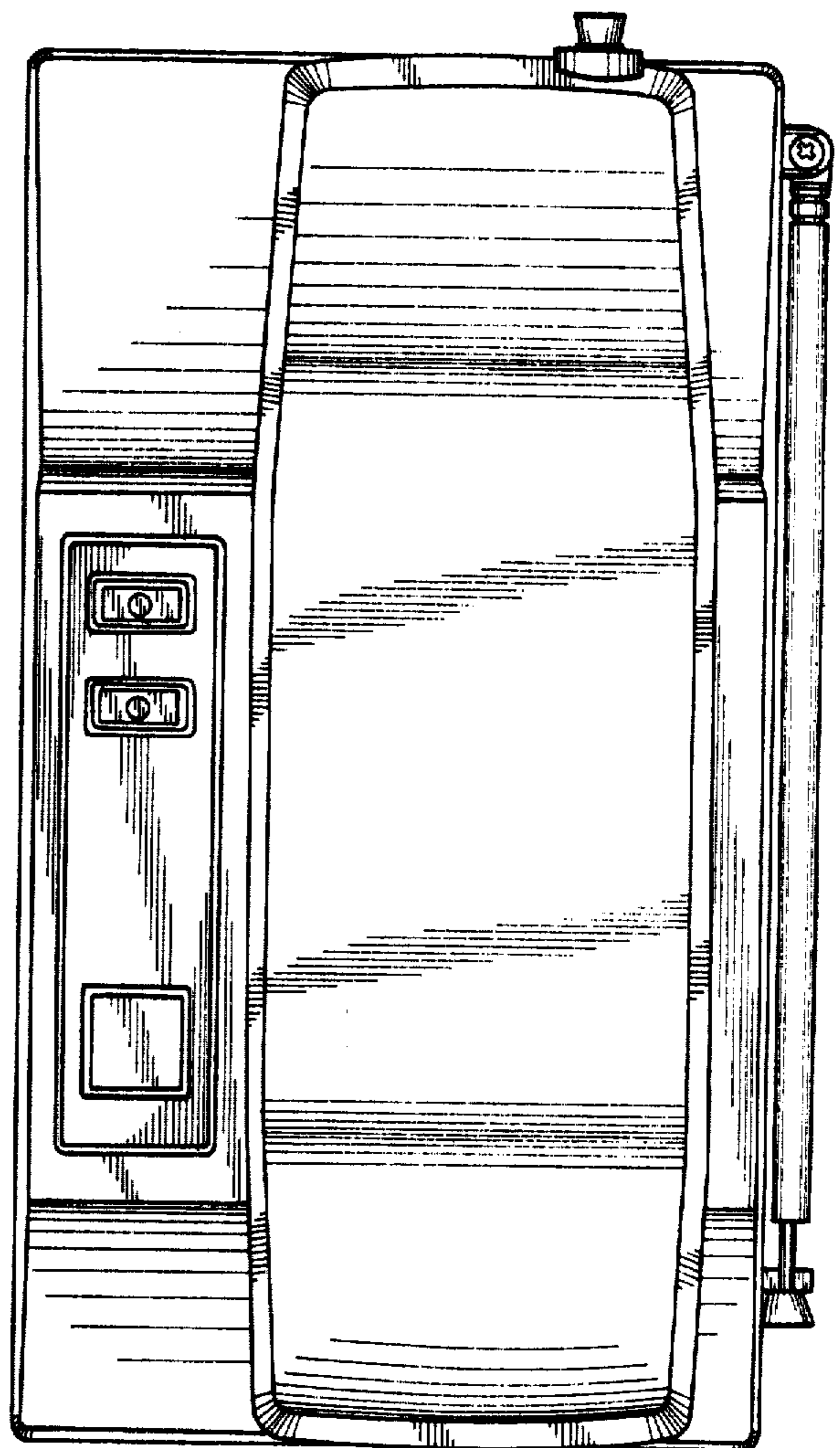
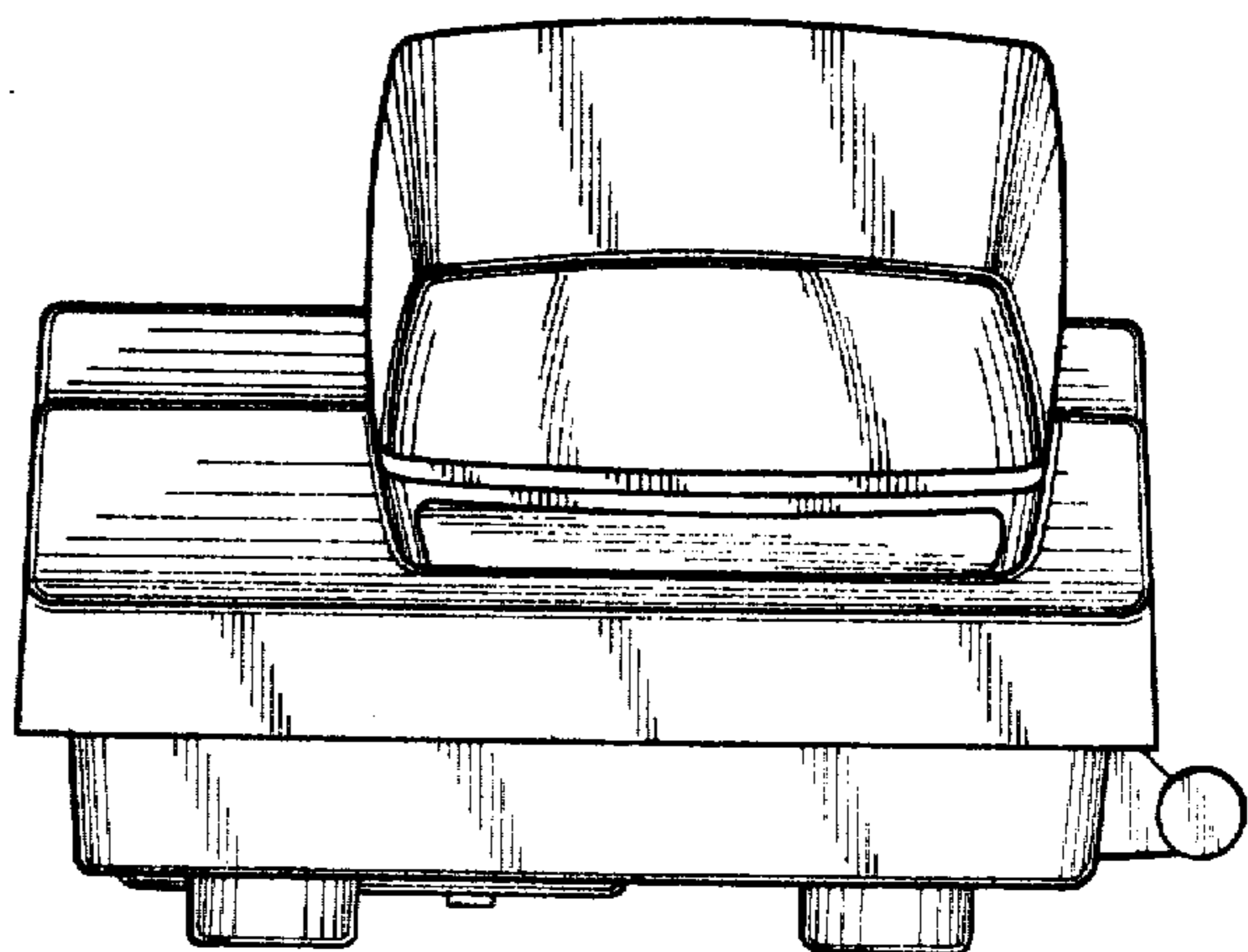


FIG. 2

FIG. 4



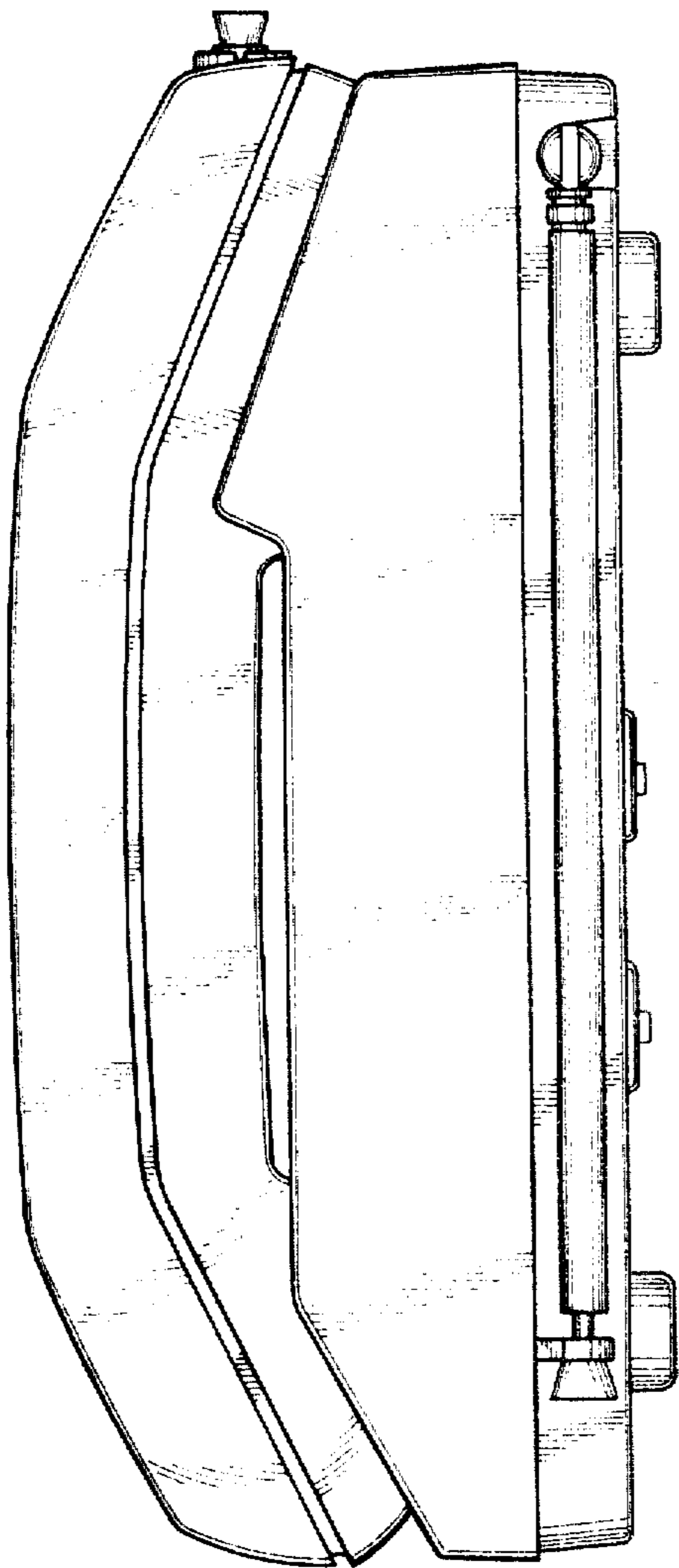


FIG. 5

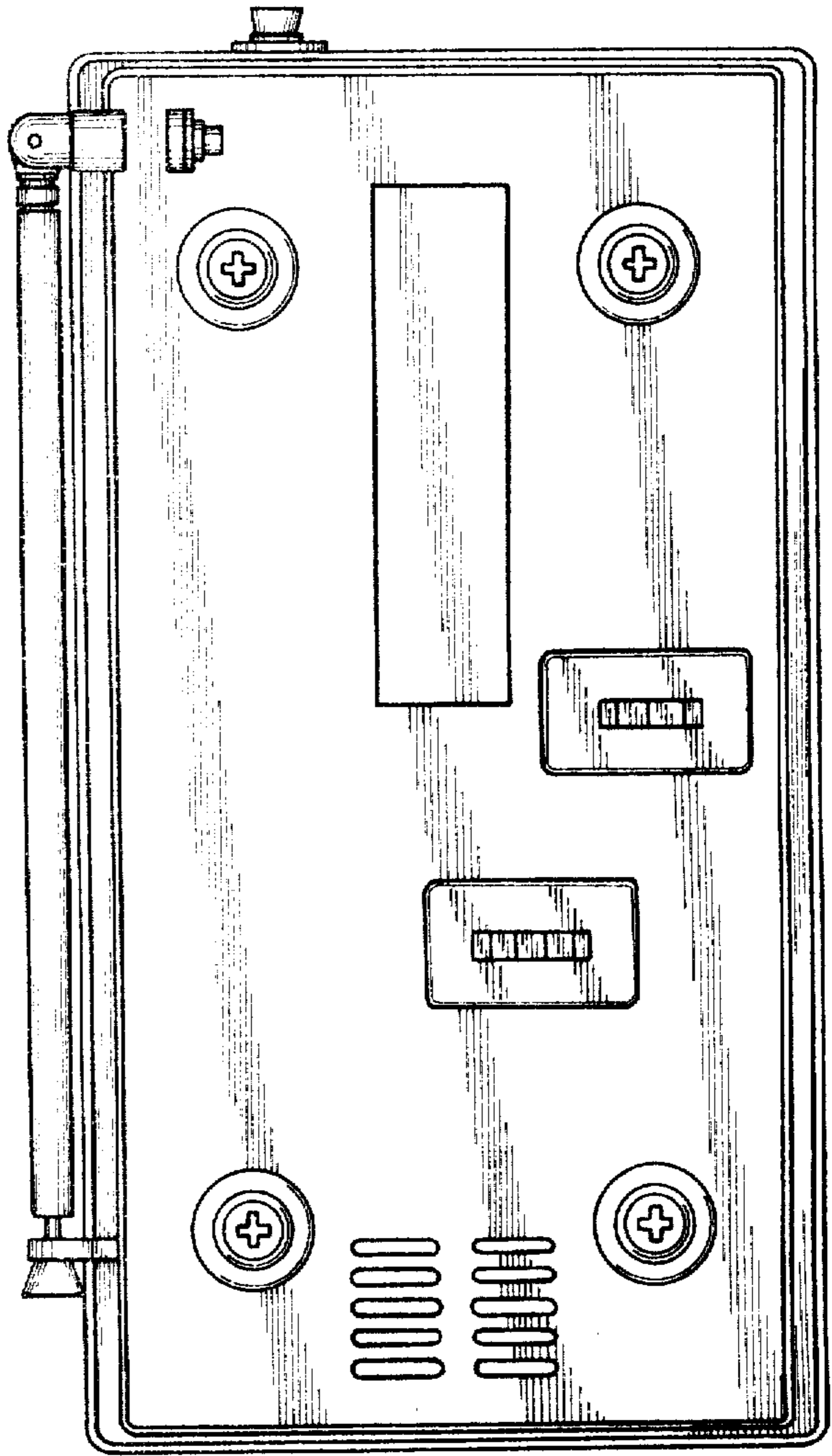


FIG. 6

FIG. 7

