

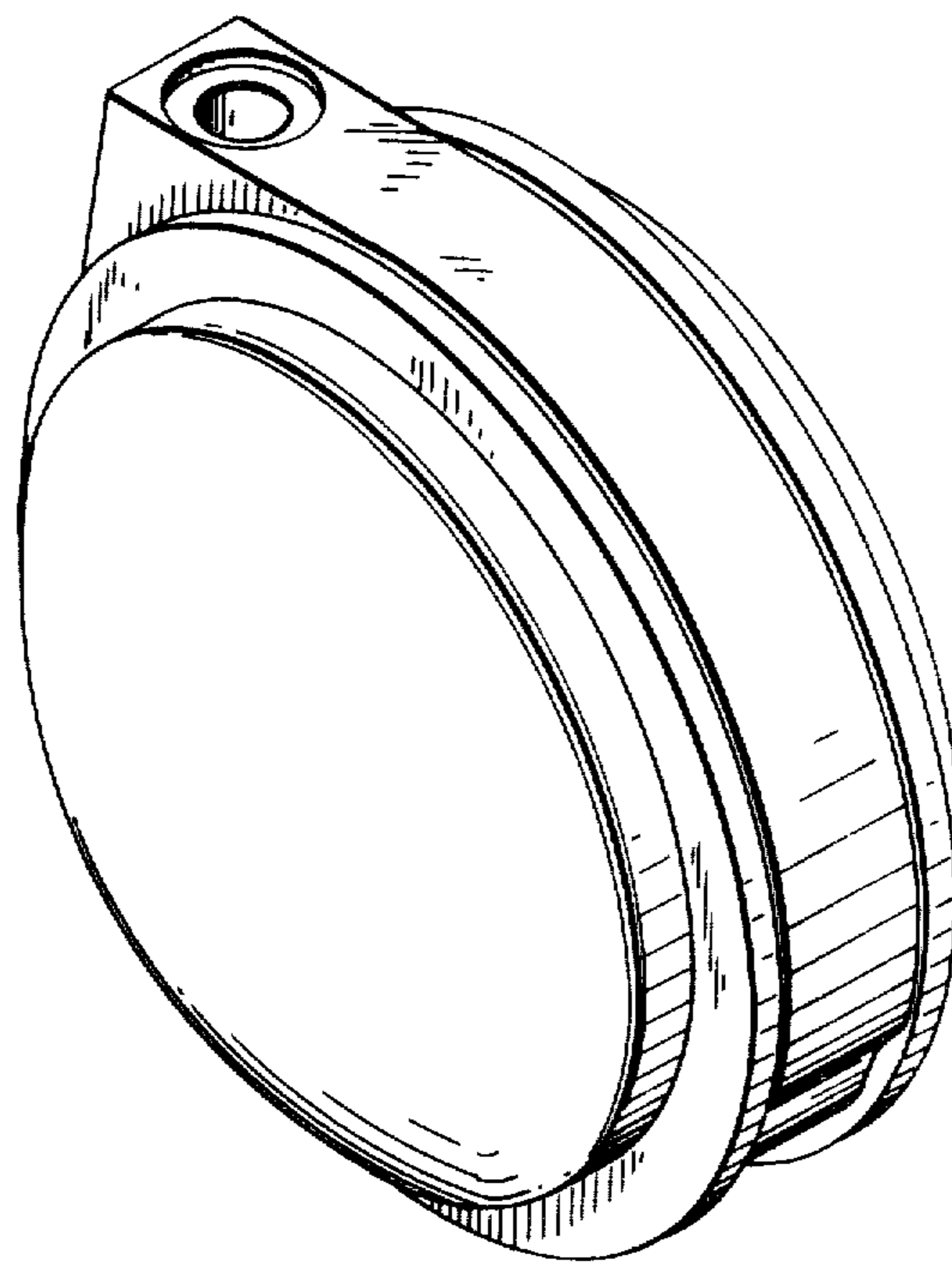
[54] **CASTOR**
[75] **Inventor:** Stafford T. Screen, Stourbridge, England
[73] **Assignee:** British Castors Limited, West Bromwich, England
[**] **Term:** 14 Years
[21] **Appl. No.:** 217,517
[22] **Filed:** Dec. 15, 1980
[30] **Foreign Application Priority Data**
Jun. 14, 1980 [GB] United Kingdom 995,305
[51] **Int. Cl.** D6—06; D8—08; D8—09
[52] **U.S. Cl.** D8/375
[58] **Field of Search** 16/18 R, 47, 45; D8/374, 375

[56] **References Cited**
U.S. PATENT DOCUMENTS
D. 241,611 9/1976 Crescenzi et al. D8/375
D. 244,989 7/1977 Crescenzi D8/375
3,997,938 12/1976 Pinaire et al. 16/47 X
4,120,071 10/1978 Crescenzi 16/47 X

Primary Examiner—A. Hugo Word
Attorney, Agent, or Firm—Spencer & Kaye

[57] **CLAIM**
The ornamental design for a castor, as shown.

DESCRIPTION
FIG. 1 is a side elevational view of a castor showing my new design;
FIG. 2 is a front elevational view thereof;
FIG. 3 is a plan view thereof;
FIG. 4 is a perspective view thereof.



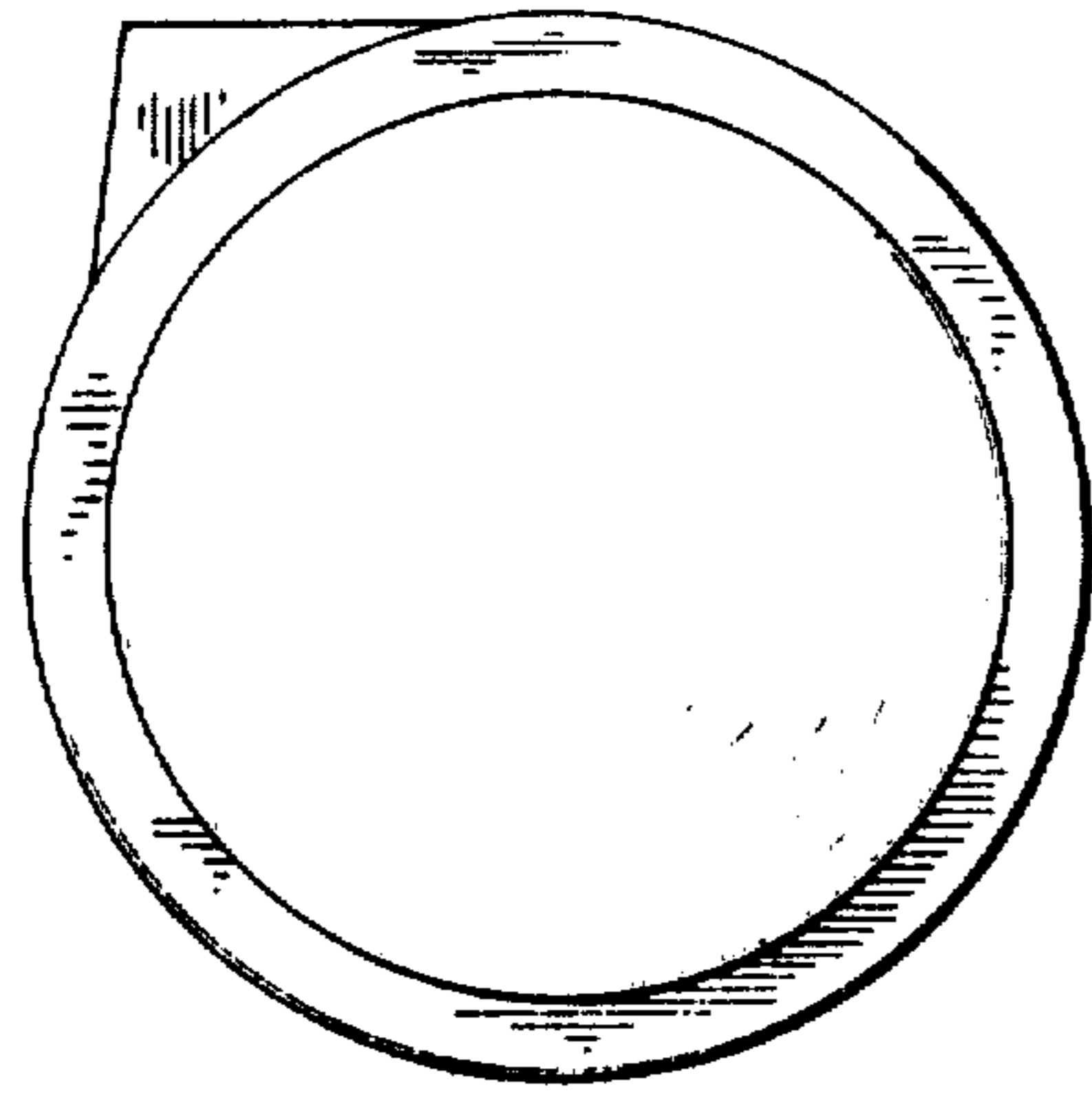


FIG. 1

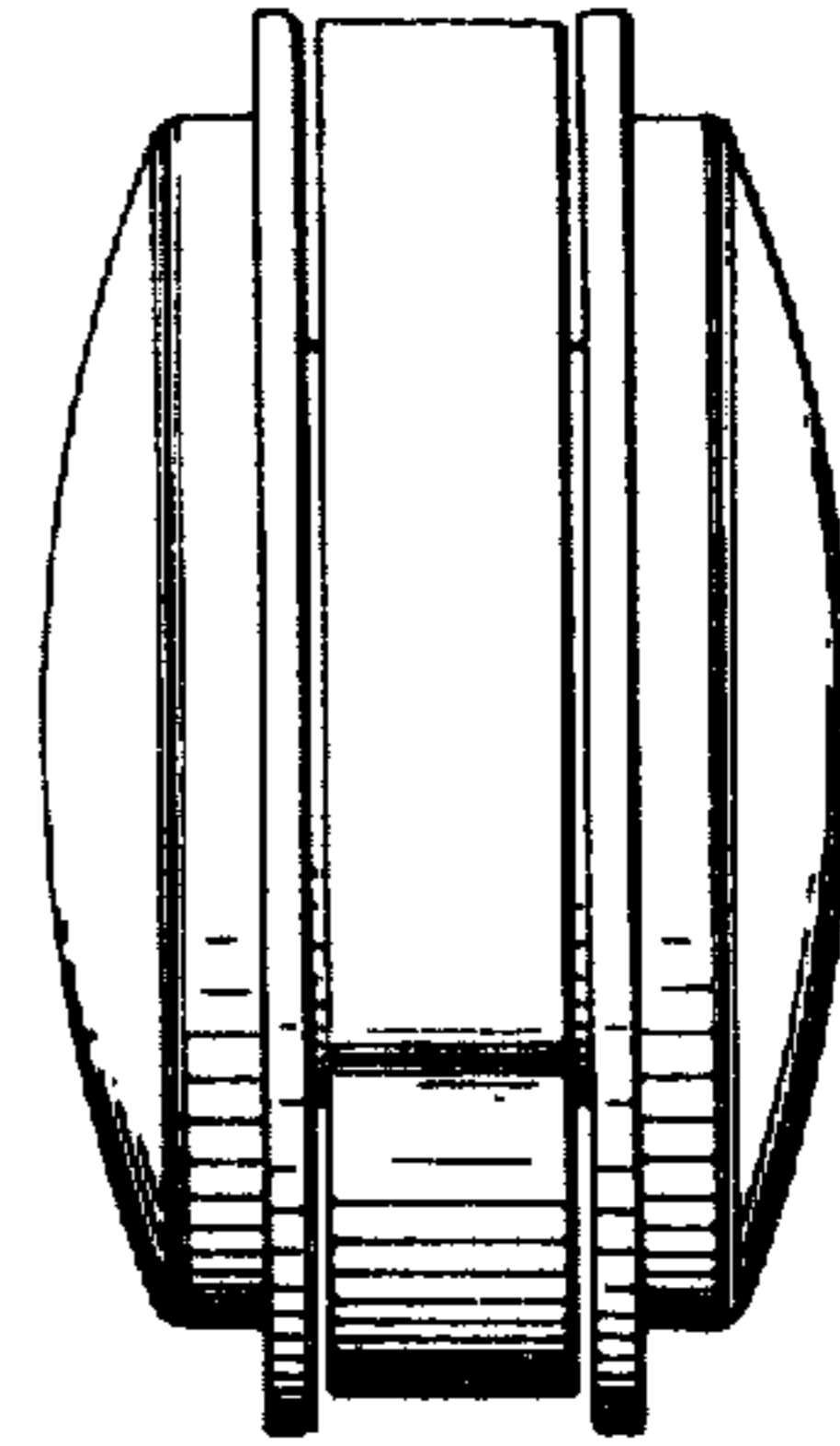


FIG. 2

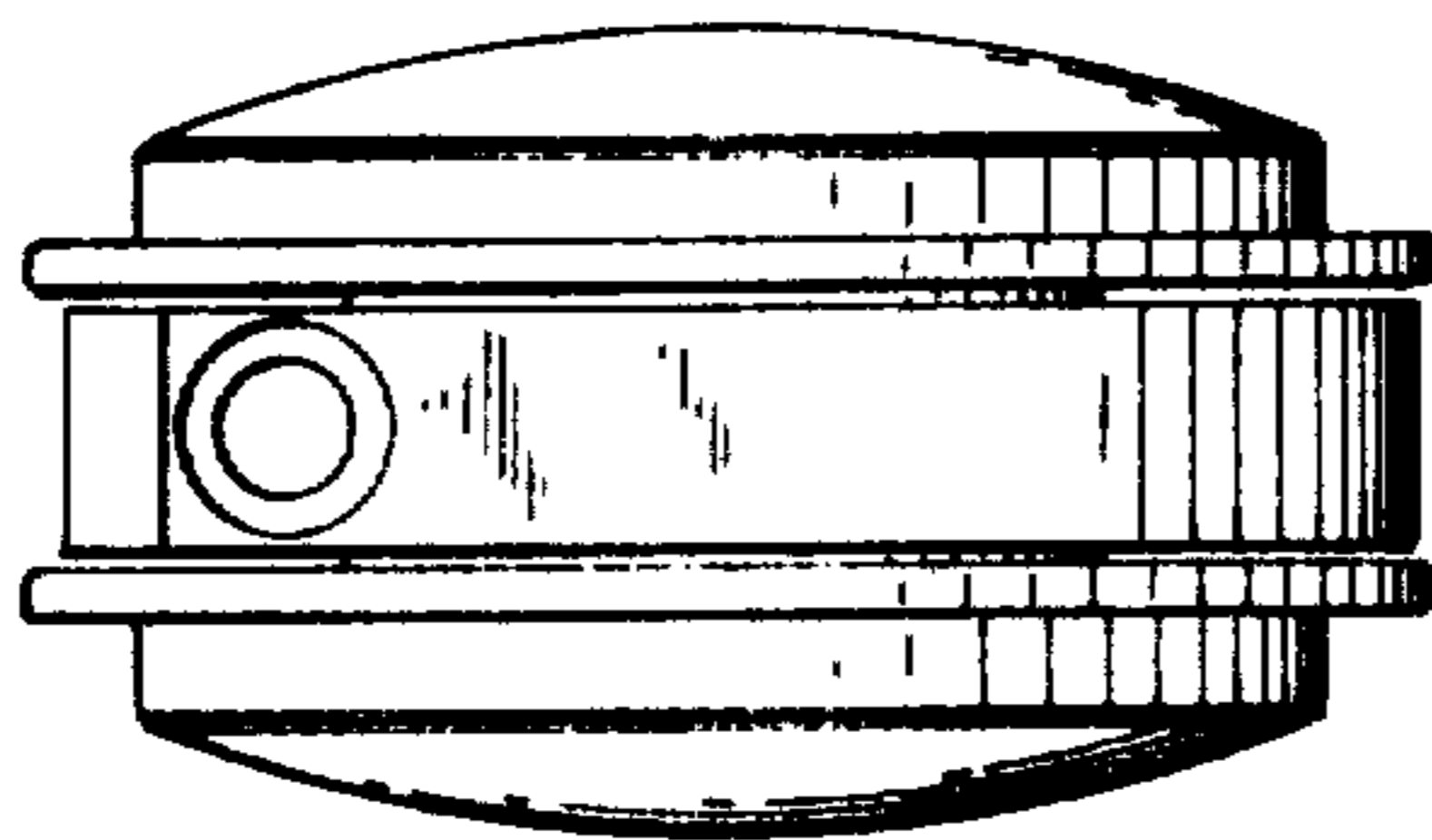


FIG. 3

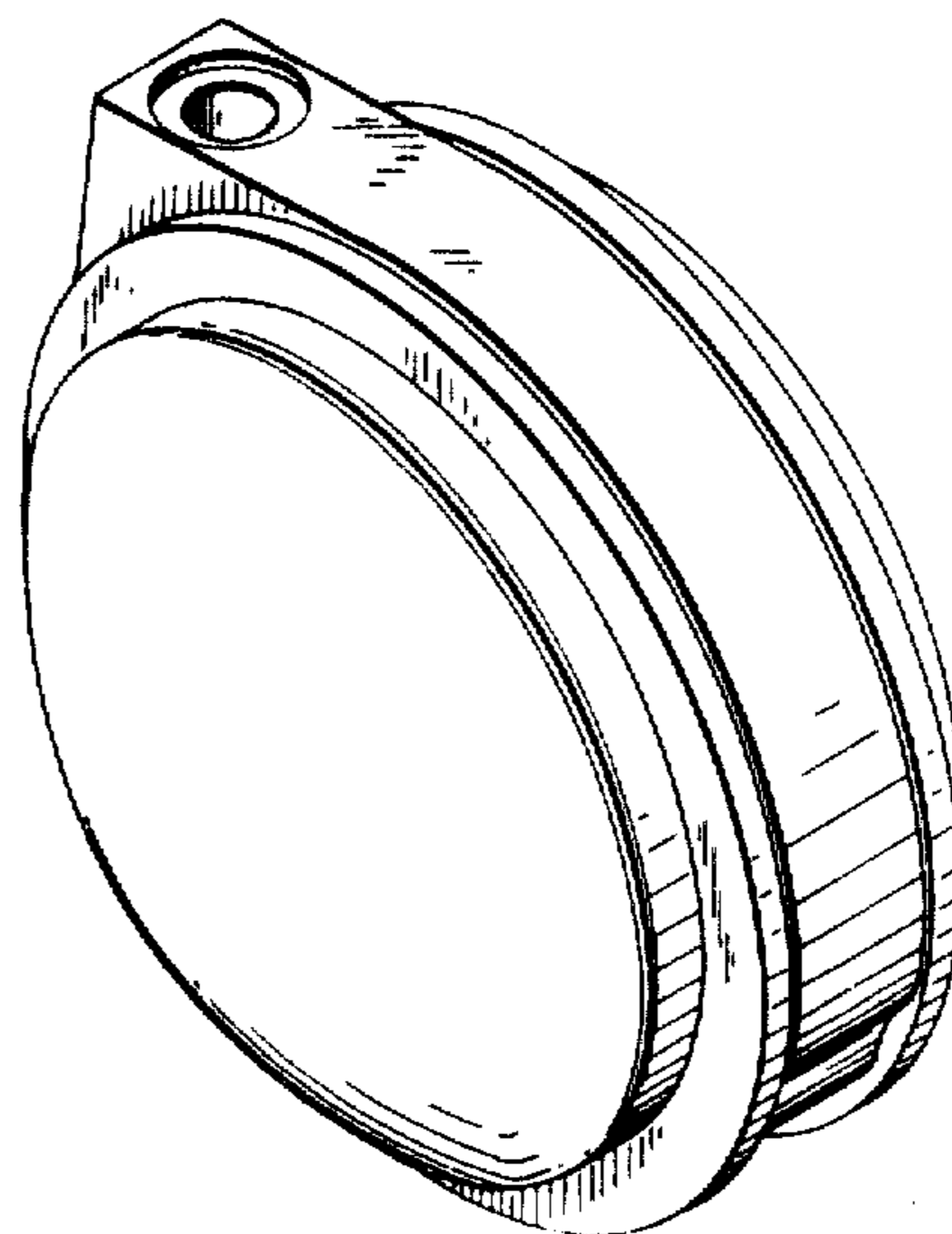


FIG. 4