

[54] HANGER BRACKET FOR USE WITH A PERFORATED PANEL

3,289,994 12/1966 Burmeister ..... 211/87  
3,640,497 2/1972 Waki ..... 248/220.4

[75] Inventor: Richard D. Barnes, Rockford, Ill.

[73] Assignee: Southern Imperial, Inc., Tupelo, Miss.

[\*\*] Term: 14 Years

[21] Appl. No.: 277,200

[22] Filed: Jun. 25, 1981

[51] Int. Cl. .... D8-08; D6-06

[52] U.S. Cl. .... D8/363; D6/114; D6/116; D8/373

[58] Field of Search ..... D6/114, 125, 116; D8/363, 373; 211/87, 105.1; 248/220.2, 220.3, 220.4, 302, 309 R

[56] References Cited

U.S. PATENT DOCUMENTS

D. 237,142	10/1975	Barnes	.....	D6/116
888,032	5/1908	Peterson	.....	248/300
2,842,264	7/1958	Larson	.....	211/87
3,198,469	8/1965	Callanan	.....	248/223

OTHER PUBLICATIONS

Callanan Brochure No. 101 (Specific date unknown, but is more than one yr. prior to 6/25/81).

Primary Examiner—B. J. Bullock  
Attorney, Agent, or Firm—Leydig, Voit, Osann, Mayer & Holt, Ltd.

[57] CLAIM

The ornamental design for a hanger bracket for use with a perforated panel, as shown.

DESCRIPTION

FIG. 1 is a perspective view of a hanger bracket for use with a perforated panel incorporating my new design. FIG. 2 is a side elevational view as seen from the left of FIG. 1. FIG. 3 is a front elevational view. FIG. 4 is a side elevational view as seen from the right of FIG. 1. FIG. 5 is a top plan view. FIG. 6 is a bottom plan view. FIG. 7 is a rear elevational view.

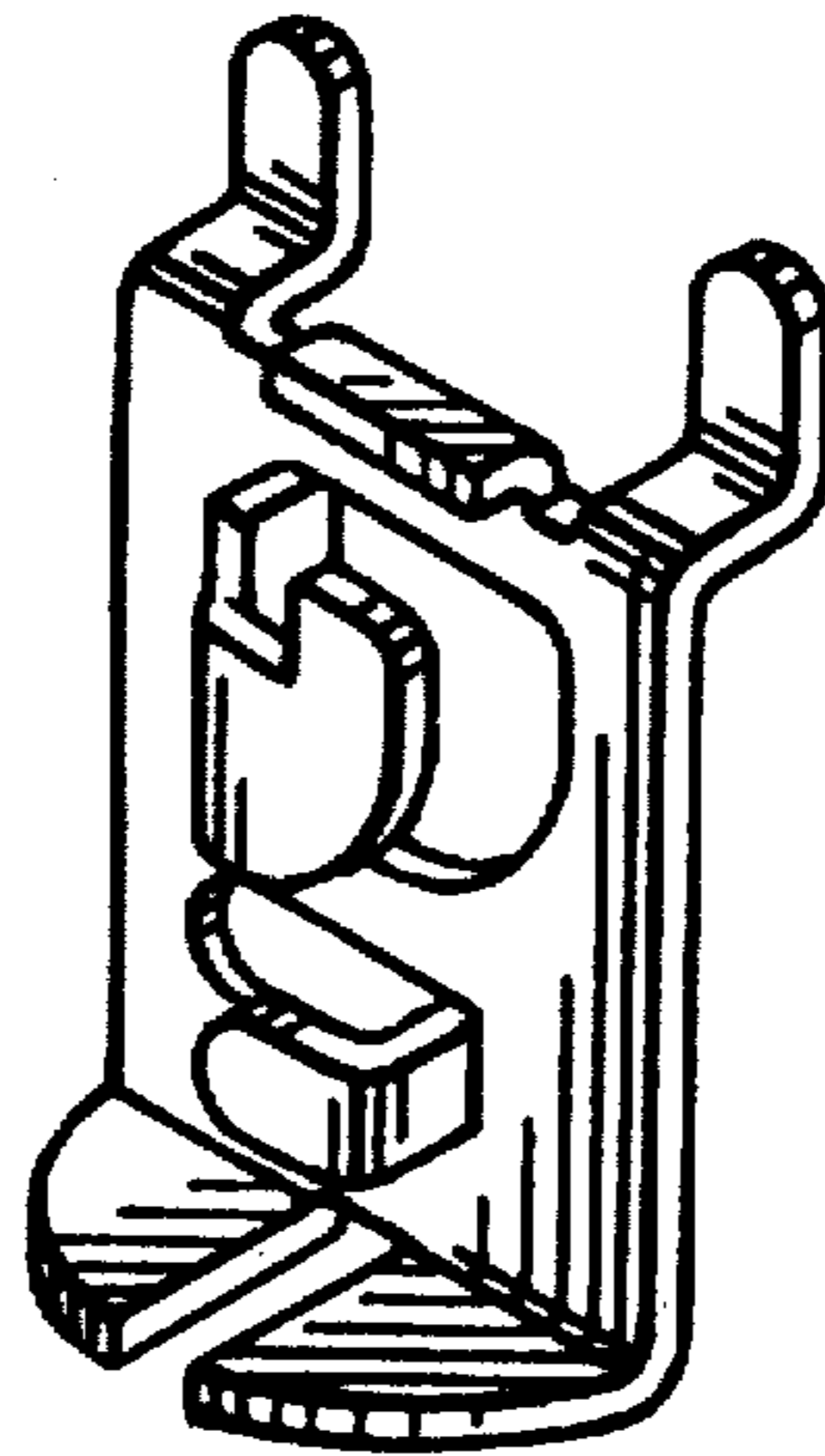


FIG. 1.

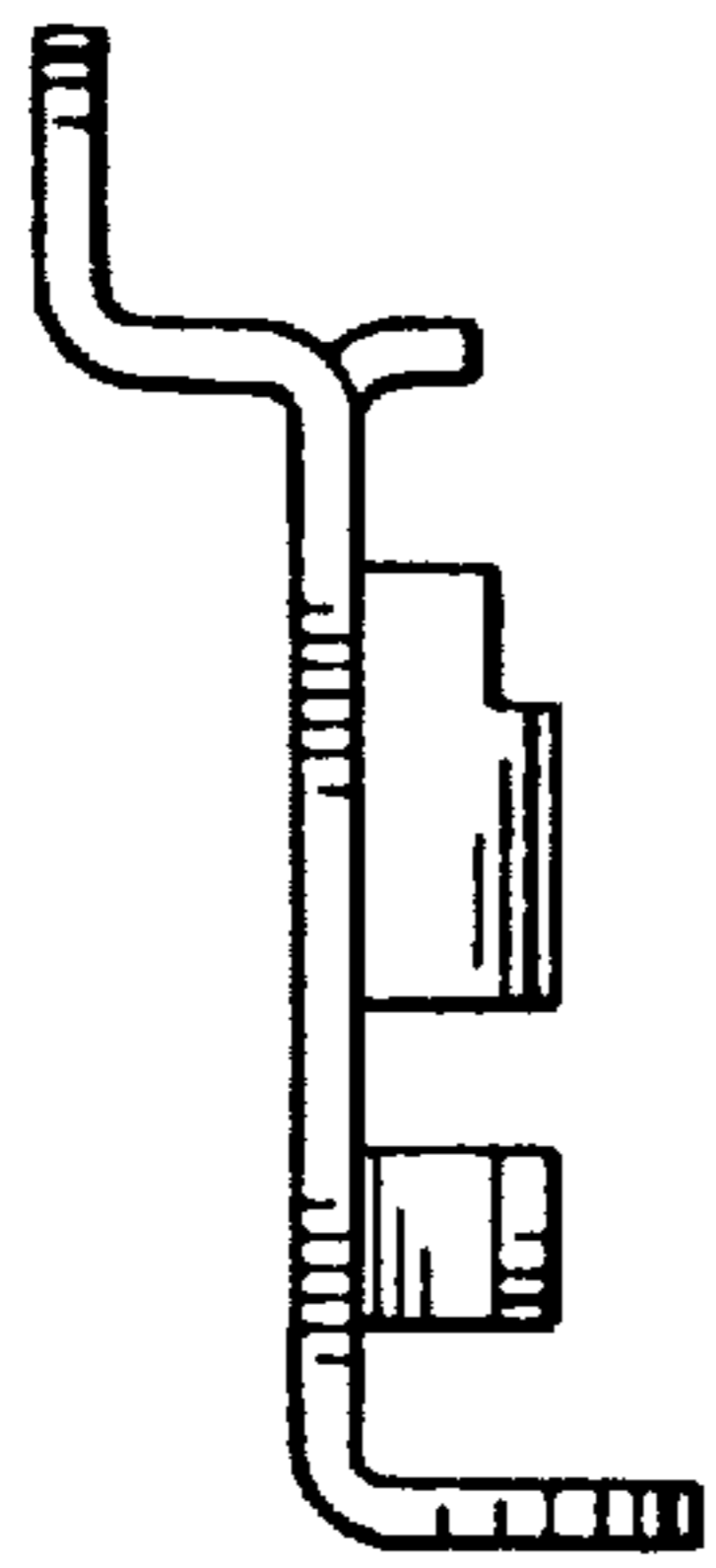
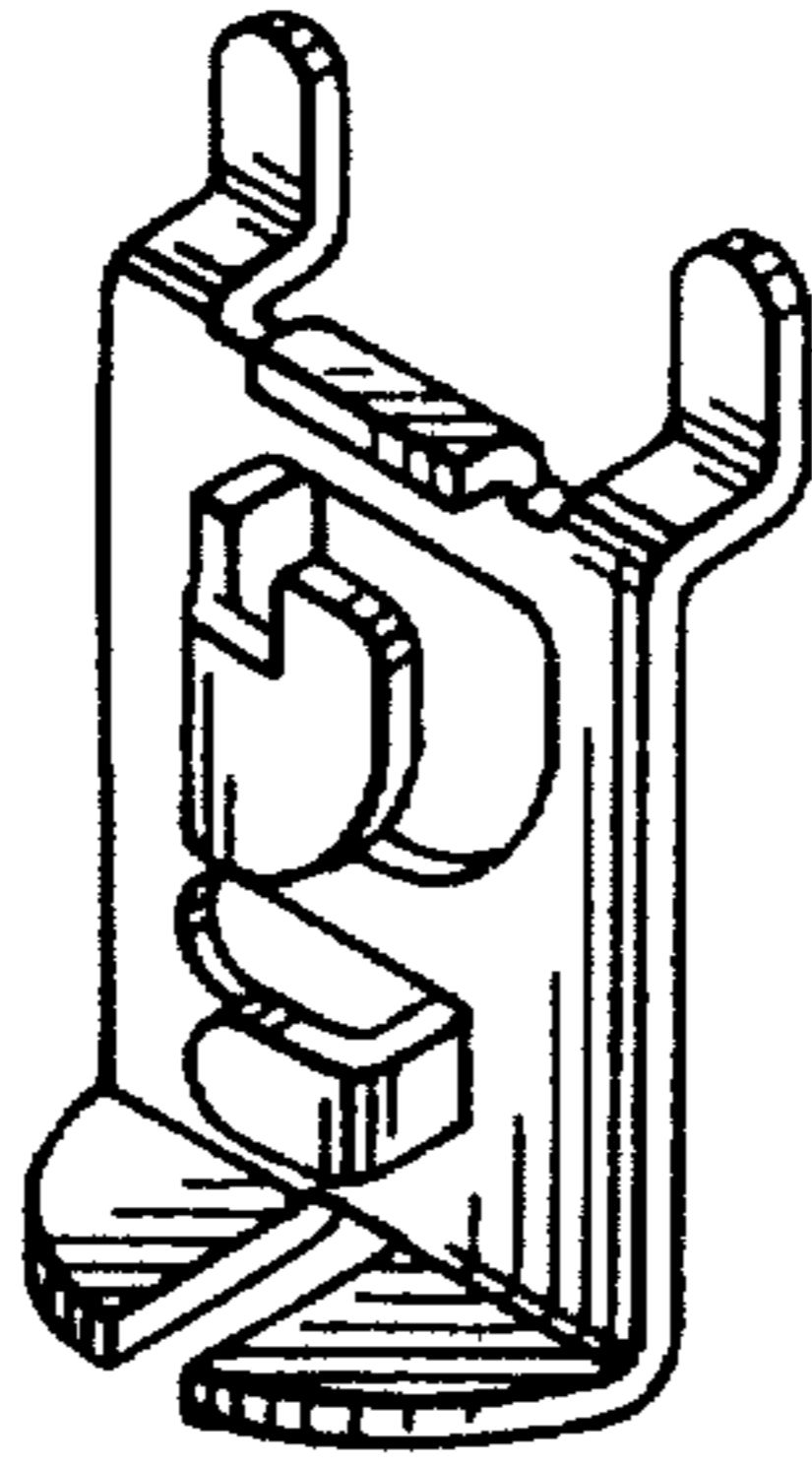


FIG. 2.

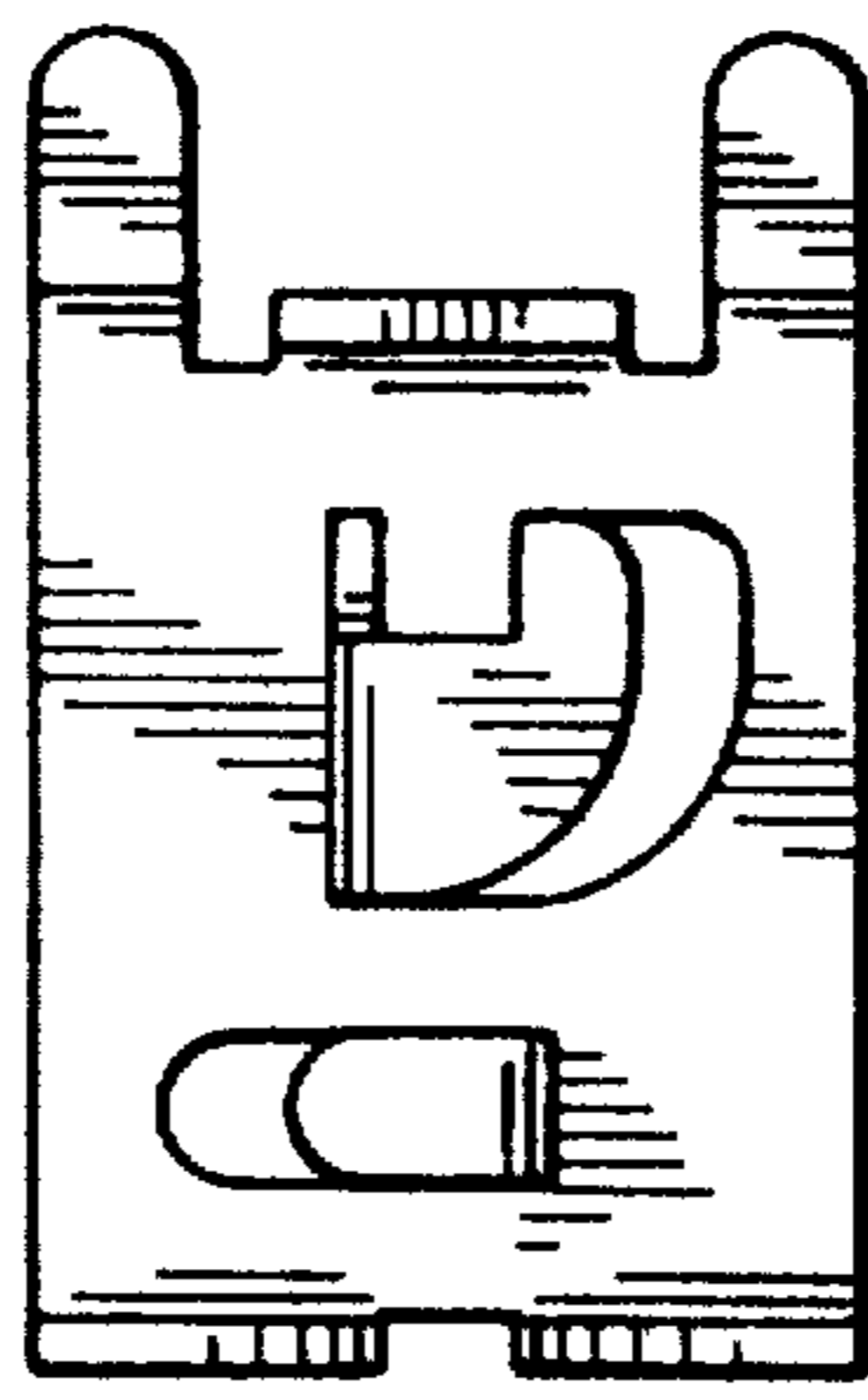


FIG. 3.

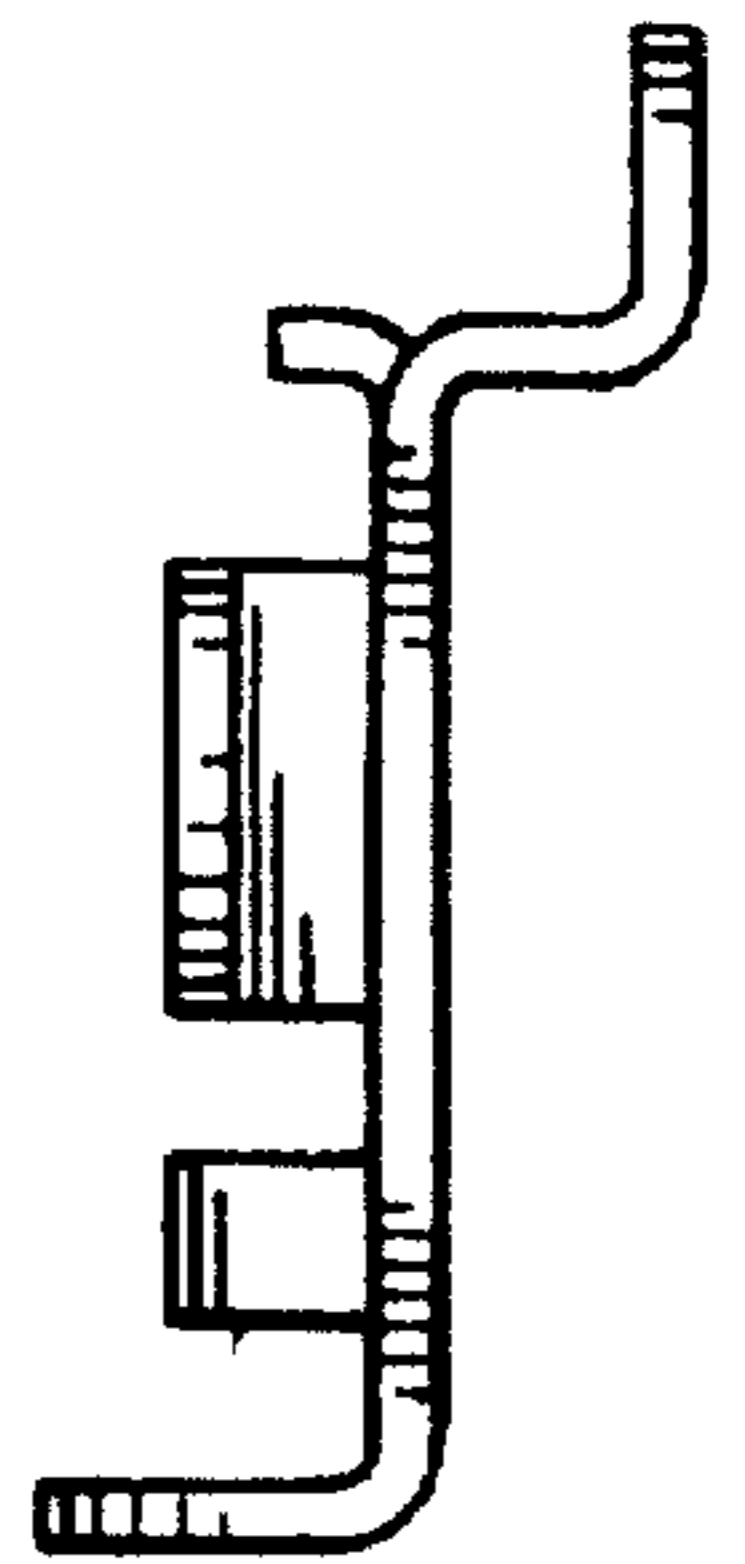


FIG. 4.

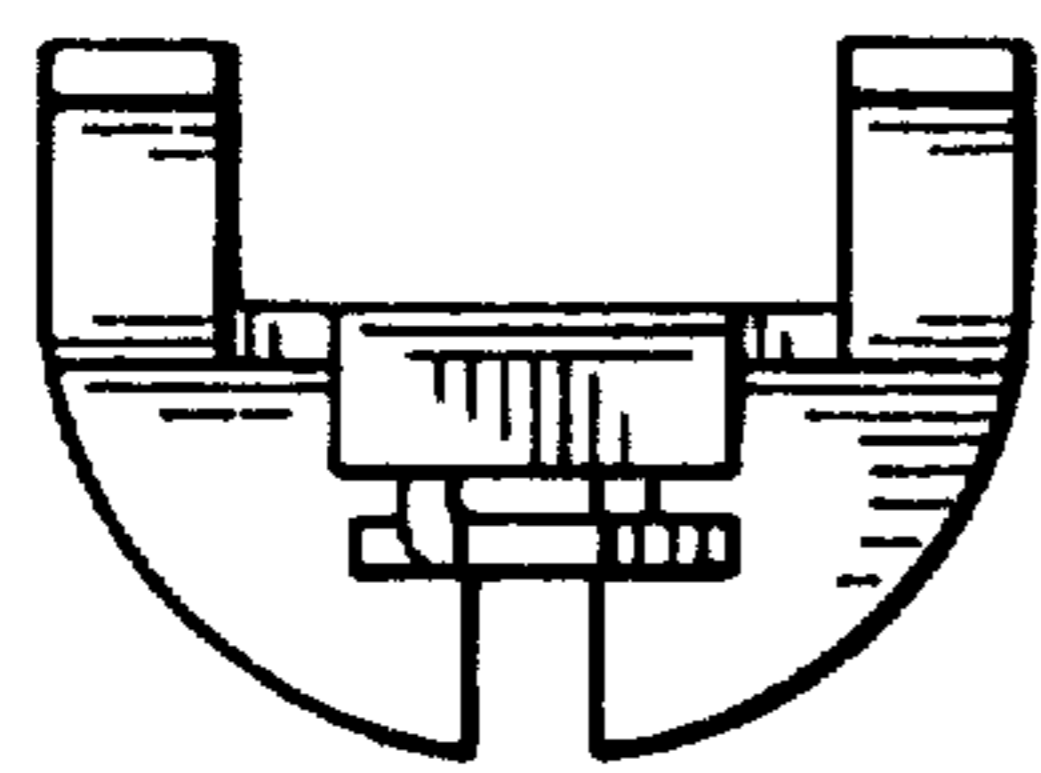


FIG. 5.

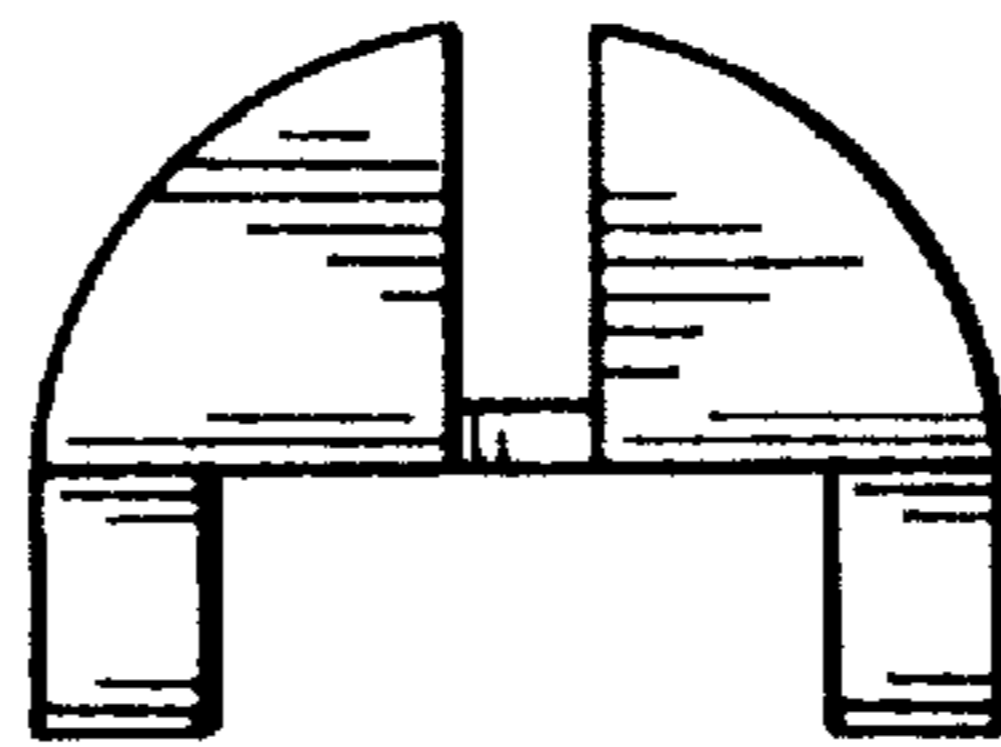


FIG. 6.

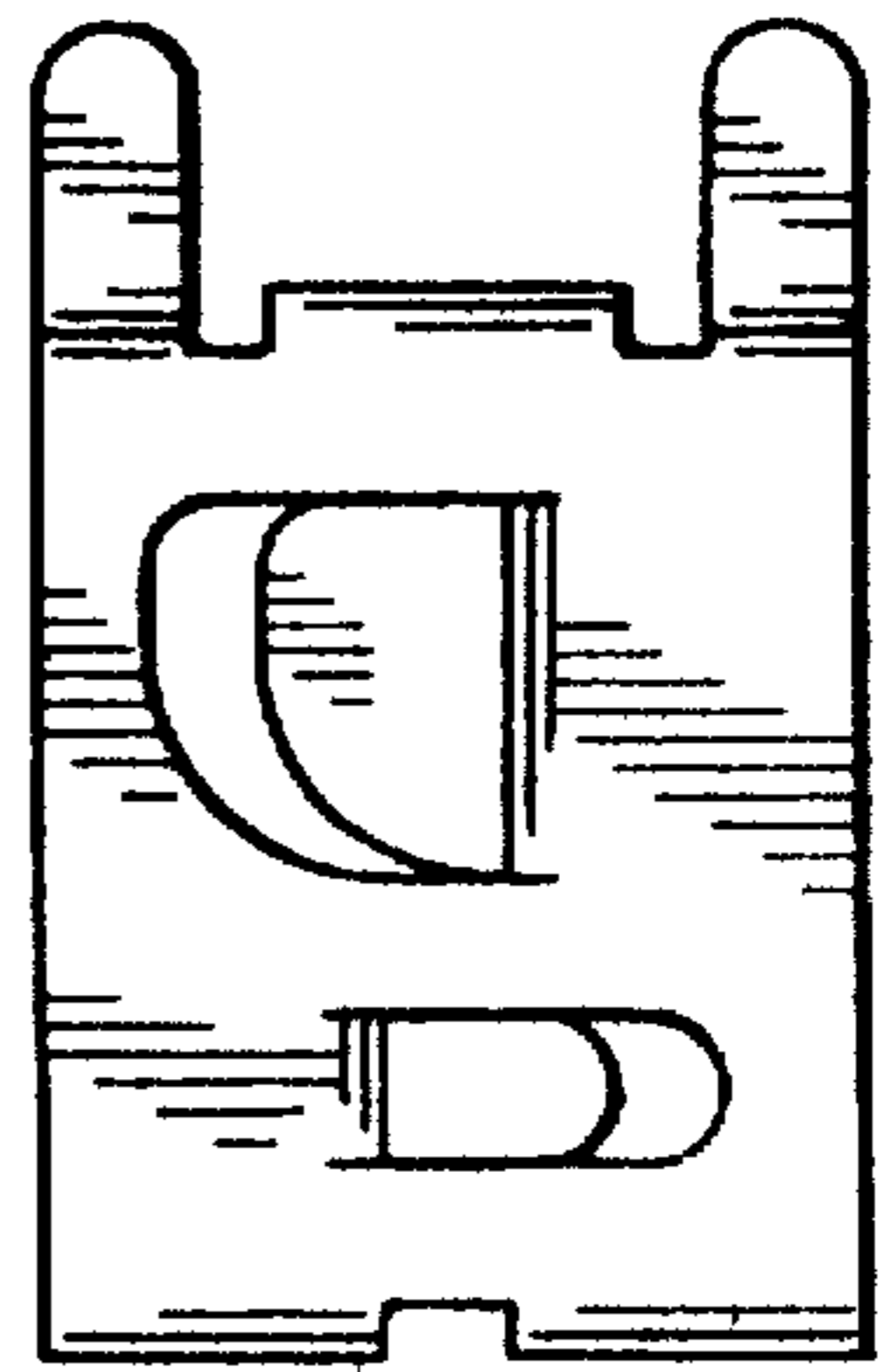


FIG. 7.