

[54] PORTABLE DOOR LOCK

[76] Inventor: Roman S. Yarosz, 725 Dutton Ave., San Leandro, Calif. 94577

[**] Term: 14 Years

[21] Appl. No.: 239,362

[22] Filed: Mar. 2, 1981

[51] Int. Cl. D8-07

[52] U.S. Cl. D8/331

[58] Field of Search D8/330, 331, 334, 343, D8/341, 339, 341; 292/293, 294, 295; 70/14, 28

[56] References Cited

U.S. PATENT DOCUMENTS

D. 205,154	6/1966	Hudon	D8/341
D. 226,472	3/1973	Barnes	D8/341
D. 244,174	5/1977	Sankey	D8/331
321,775	7/1885	Woodward	292/295
801,369	10/1905	Dickson et al.	292/294
980,498	1/1911	Day	292/293
1,065,396	6/1913	Rose	292/293
1,544,480	6/1925	Racine	292/293
1,672,166	6/1928	Lochhead	292/293
2,969,253	1/1961	Schattl	292/294

4,285,535 8/1981 Leary 292/293

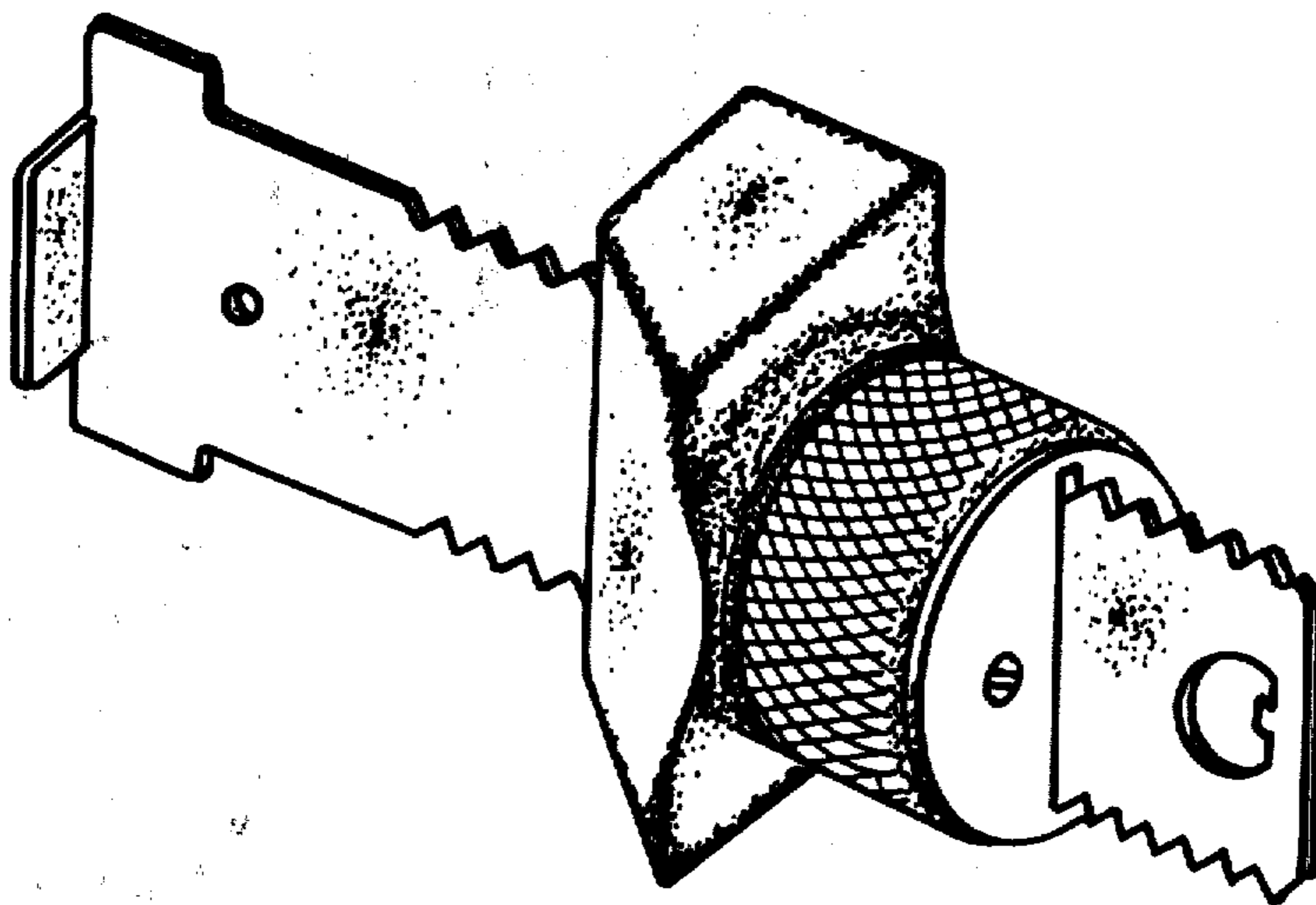
Primary Examiner—Susan J. Lucas
Assistant Examiner—Horace B. Fay
Attorney, Agent, or Firm—Harris Zimmerman; Howard Cohen

[57] CLAIM

The ornamental design for a portable door lock, substantially as shown and described.

DESCRIPTION

FIG. 1 is a perspective view of a portable door lock showing my new design;
FIG. 2 is a left side elevational view thereof;
FIG. 3 is an elevational view of the design shown in FIG. 2, rotated on a horizontal axis 180° therefrom;
FIG. 4 is an end view;
FIG. 5 is the other end view;
FIG. 6 is a top plan view of the design shown in FIG. 1;
FIG. 7 is a cross-sectional view taken substantially in the plane indicated by line 7—7 of FIG. 2;
FIG. 8 is an enlarged view of the circled portion of FIG. 7; and
FIG. 9 is a view similar to FIG. 2, but showing the parts in a different position.



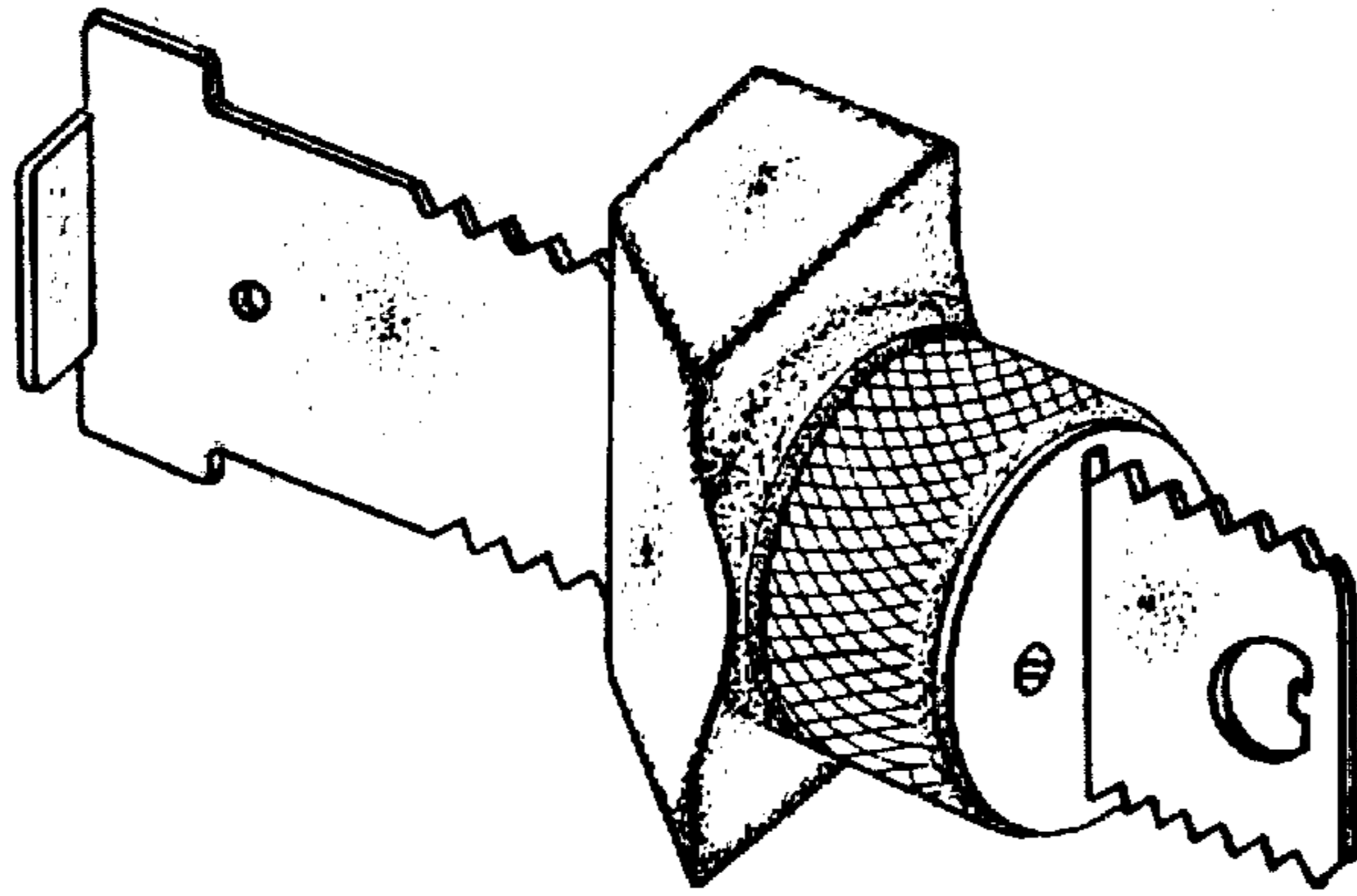


FIG _ 1

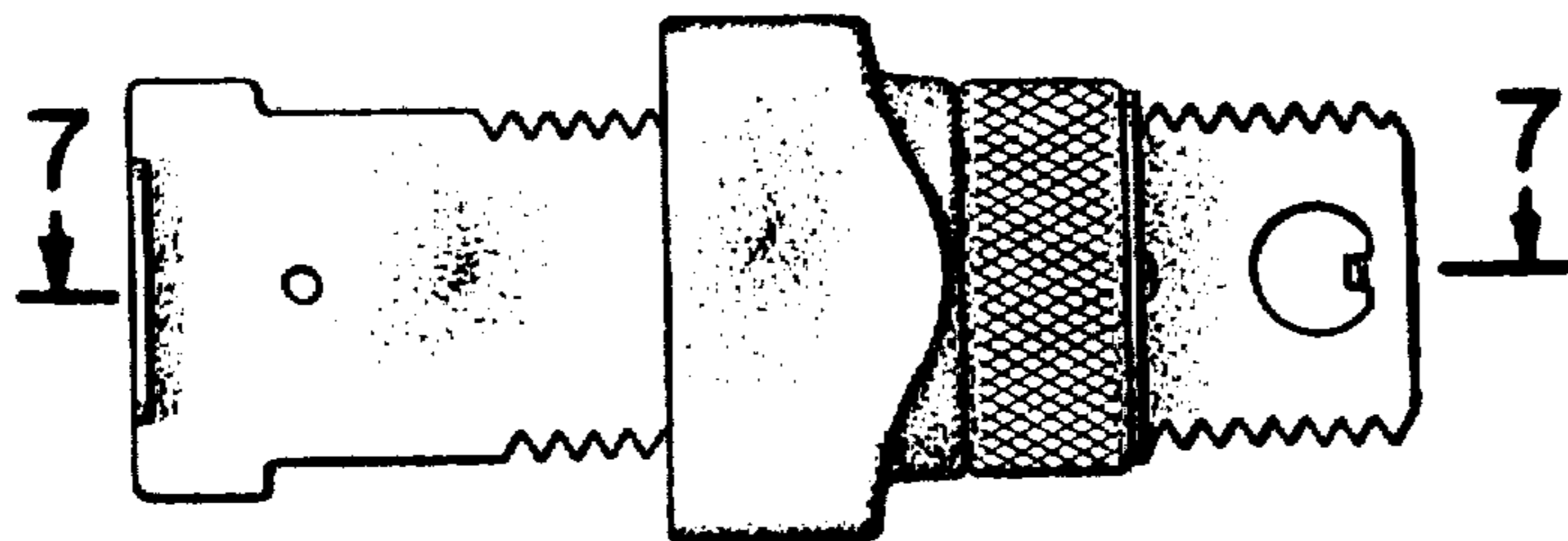


FIG _ 2

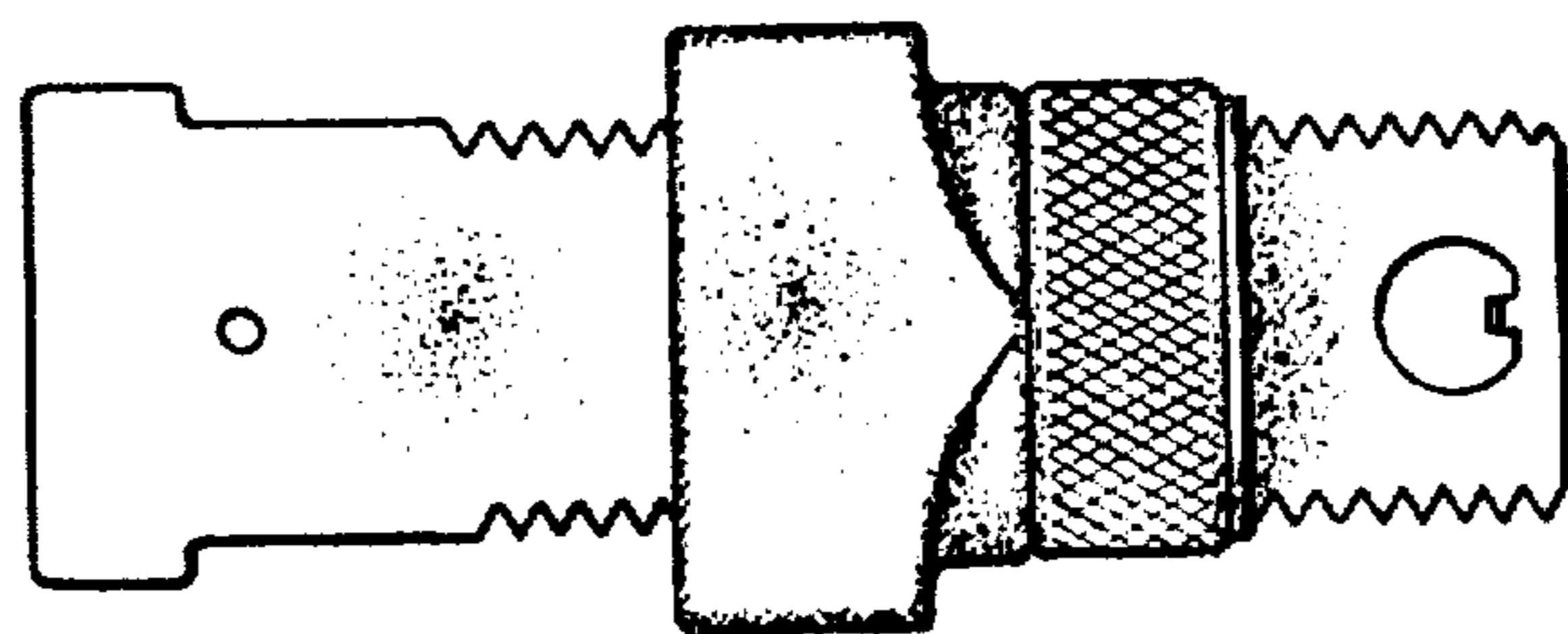


FIG _ 3

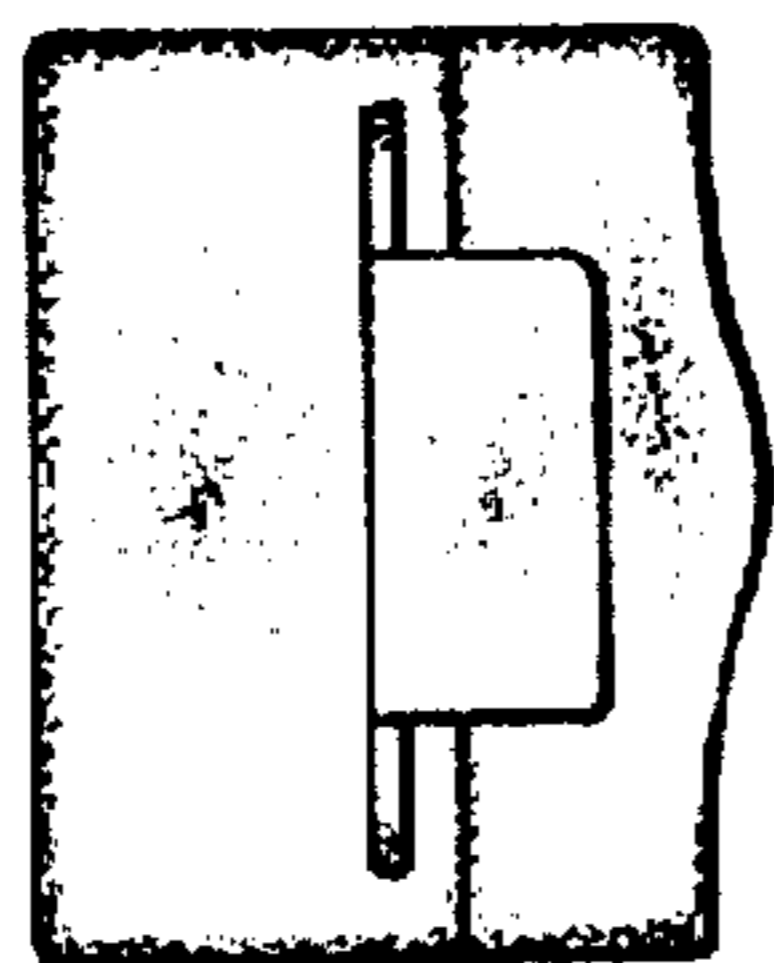


FIG _ 4

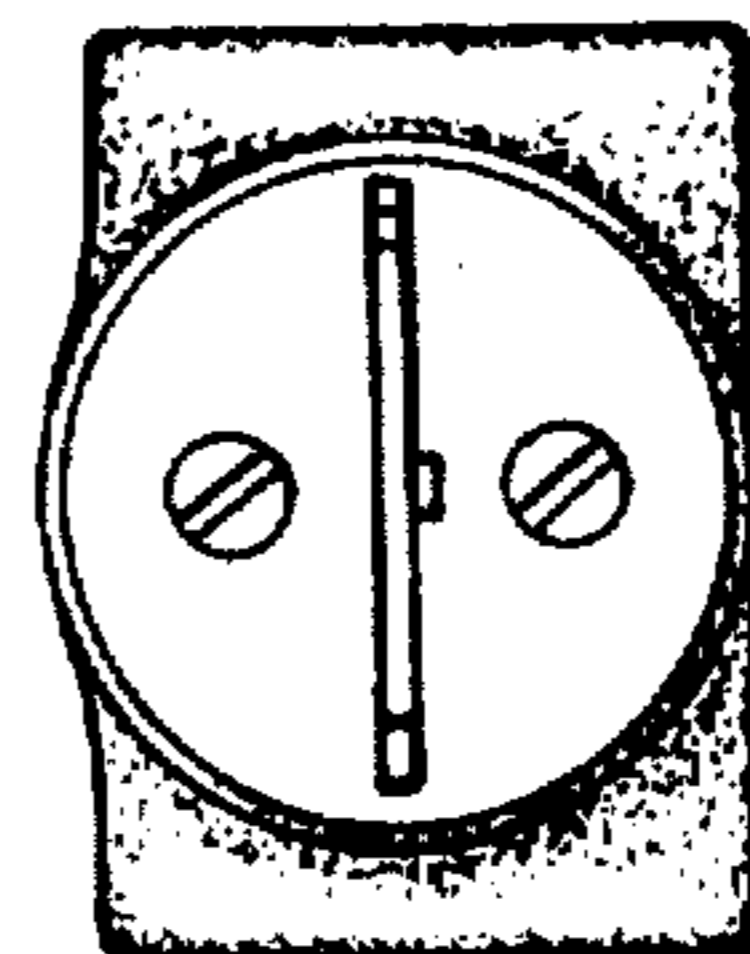


FIG _ 5

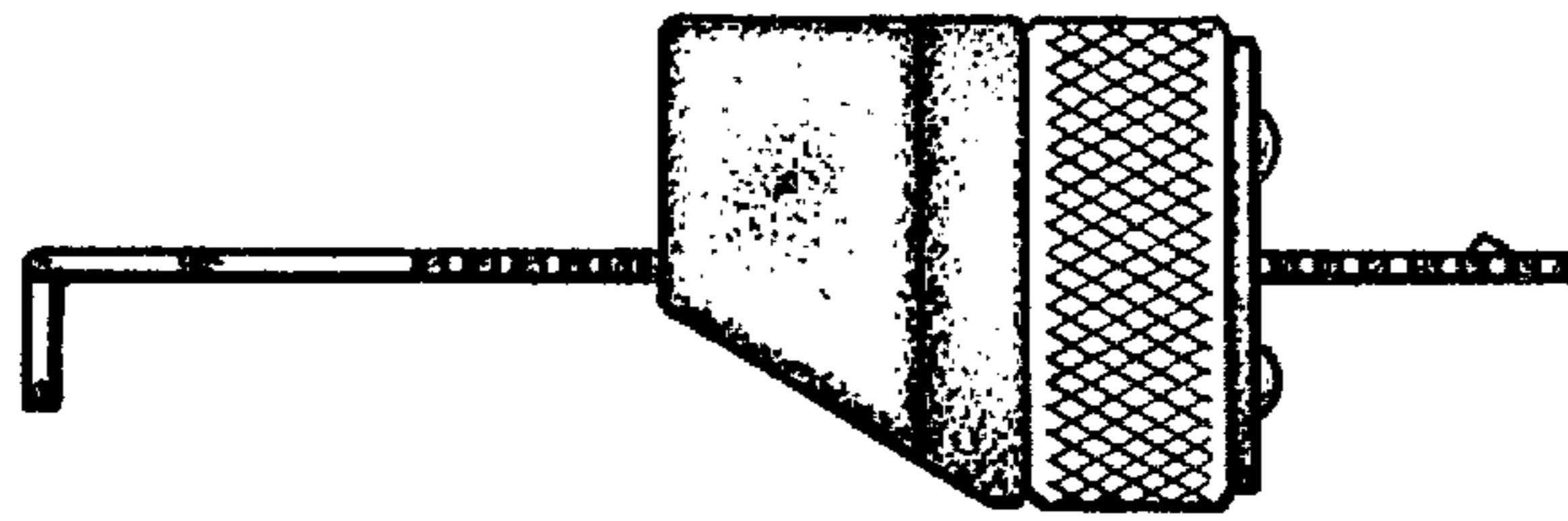


FIG _ 6

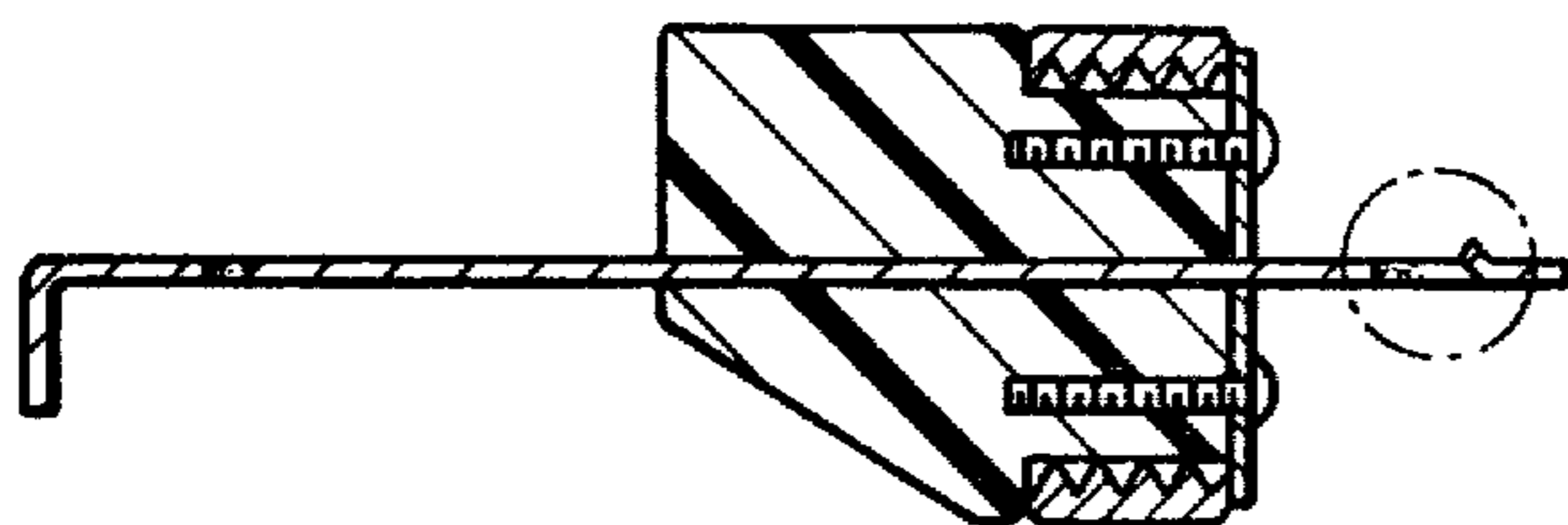


FIG _ 7

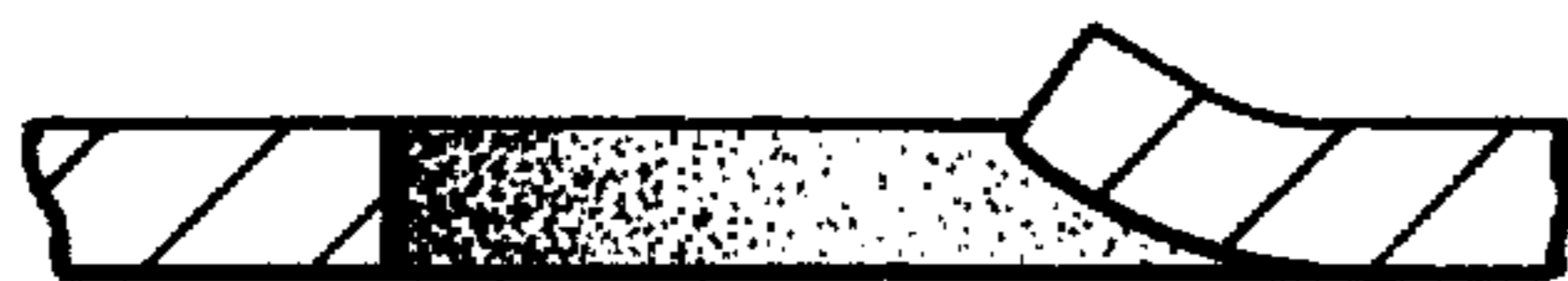


FIG _ 8

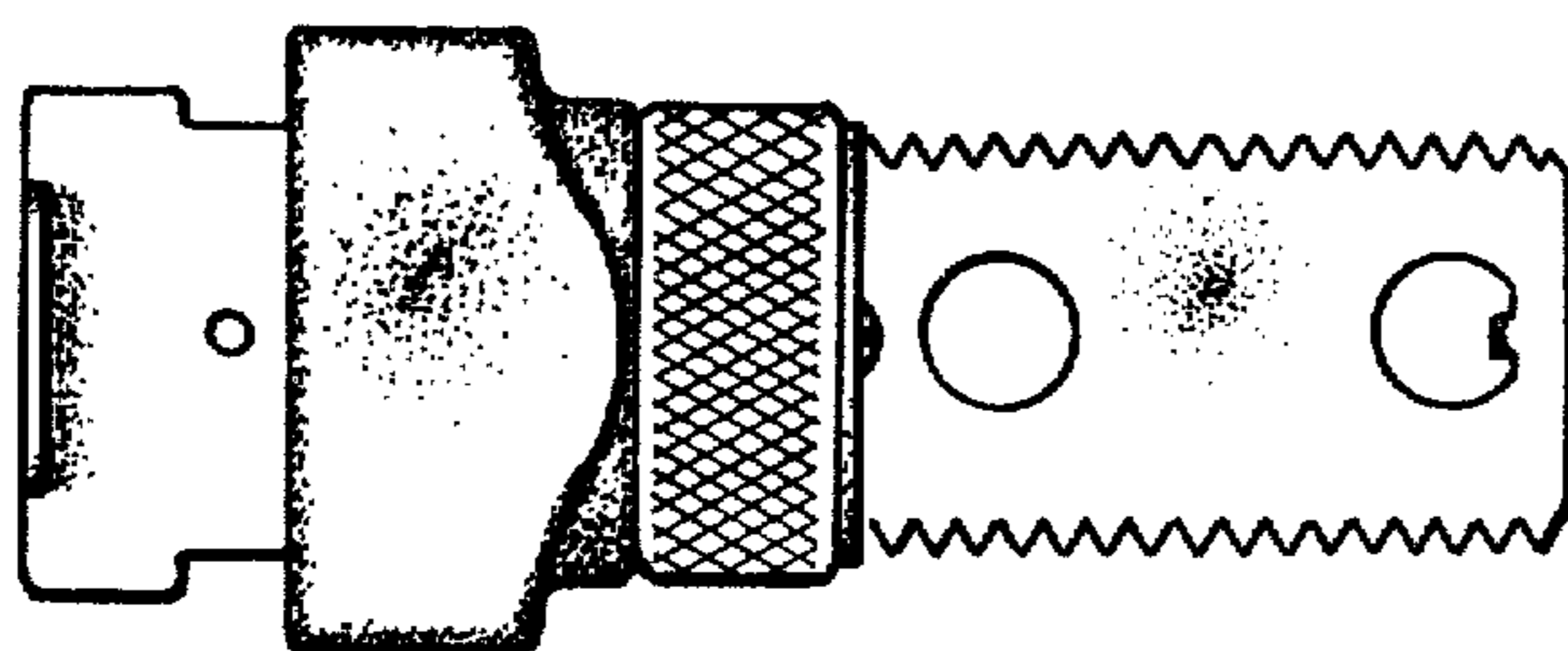


FIG _ 9