

[54] **CASSEROLE**
 [75] **Inventor:** Nicholas P. Angelakos, Staten Island, N.Y.
 [73] **Assignee:** Lancaster Colony Corporation, New York, N.Y.
 [**] **Term:** 14 Years
 [21] **Appl. No.:** 296,682
 [22] **Filed:** Aug. 27, 1981
 [51] **Int. Cl.** D07—01
 [52] **U.S. Cl.** D7/17; D7/22
 [58] **Field of Search** D7/17, 22, 16, 360, D7/354, 78

D. 240,883 8/1976 Press D7/17
 2,978,285 4/1961 Jester D7/2 X

FOREIGN PATENT DOCUMENTS

857134 11/1952 Fed. Rep. of Germany D7/354

OTHER PUBLICATIONS

The Glass of Frederick Carder by Paul Gardner ©1971, p. 244, r. col., 5th down #5208, Toilet Accessories Puff Boxes, etc.

Primary Examiner—Winifred E. Herrmann
Attorney, Agent, or Firm—Alan H. Levine

[57] **CLAIM**

The ornamental design for a casserole, substantially as shown.

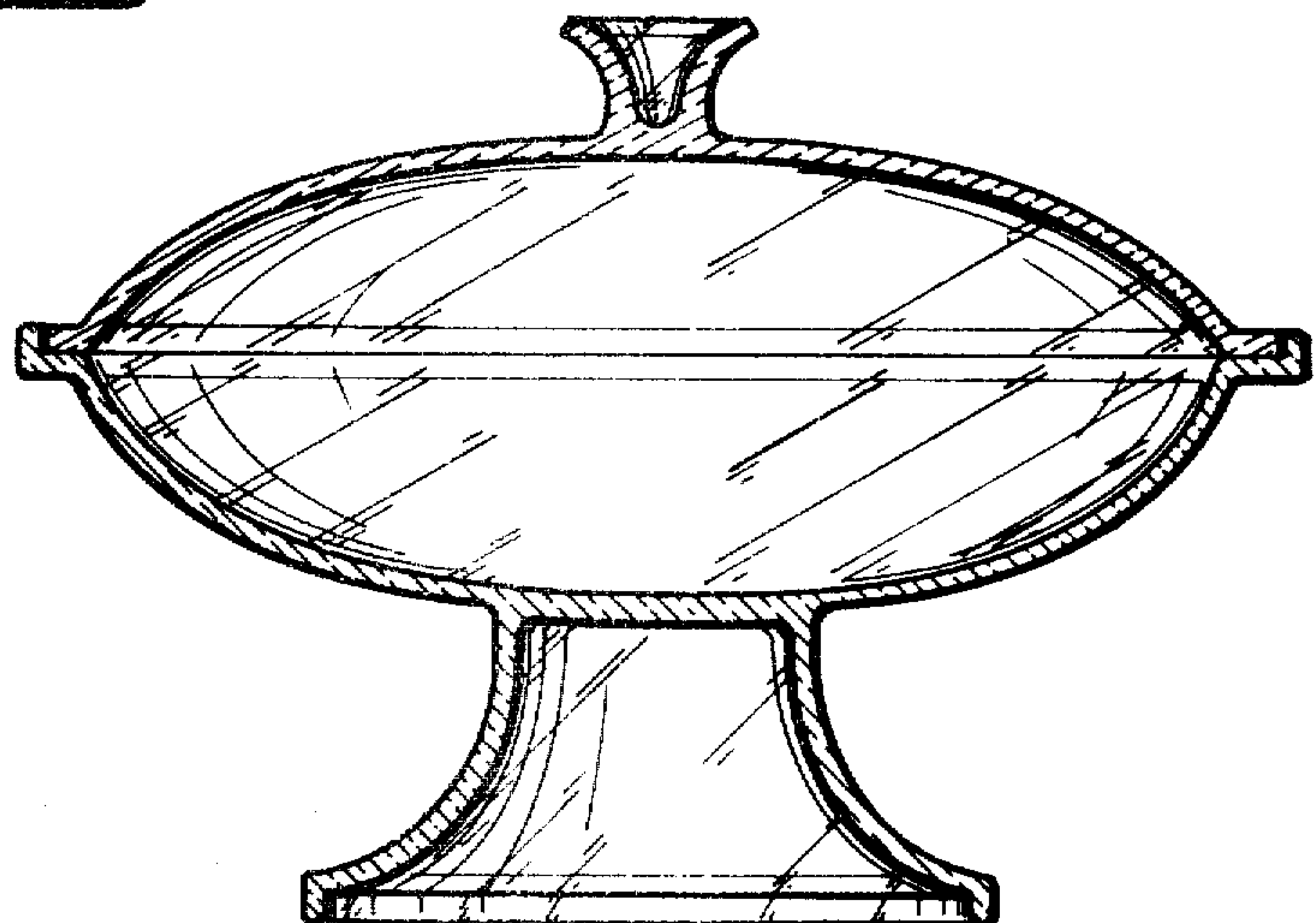
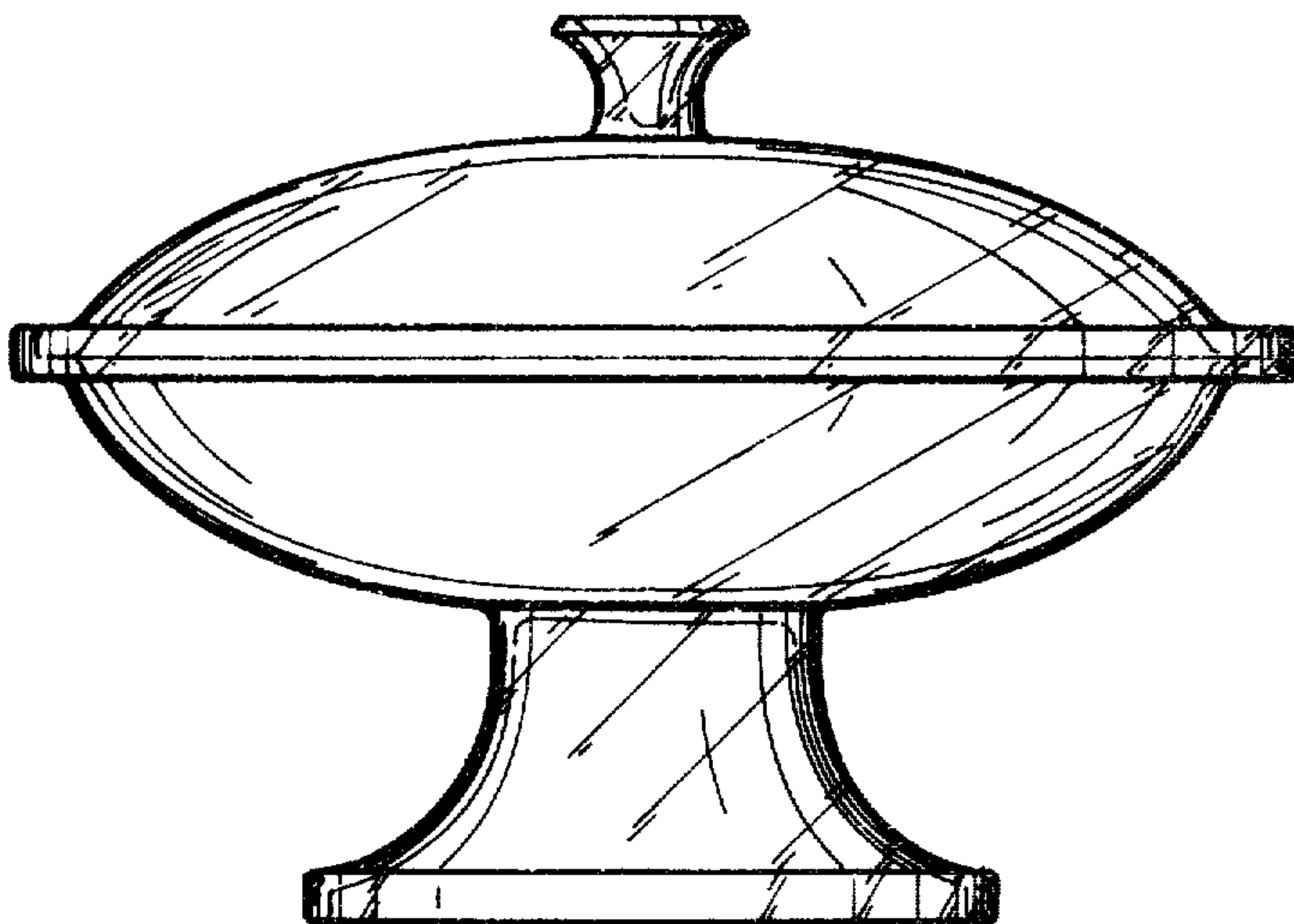
[56] **References Cited**

U.S. PATENT DOCUMENTS

D. 7,550 7/1874 Bennett D7/17 X
 D. 45,601 4/1914 Mohrhenn D7/17
 D. 75,520 6/1928 Saunders D7/17
 D. 208,097 7/1967 Henn D7/22
 D. 239,958 5/1976 Robert D7/17 X

DESCRIPTION

FIG. 1 is an elevational view of a casserole showing my new design;
 FIG. 2 is a top view thereof;
 FIG. 3 is a diametrical cross-sectional view thereof; and
 FIG. 4 is a bottom view thereof.



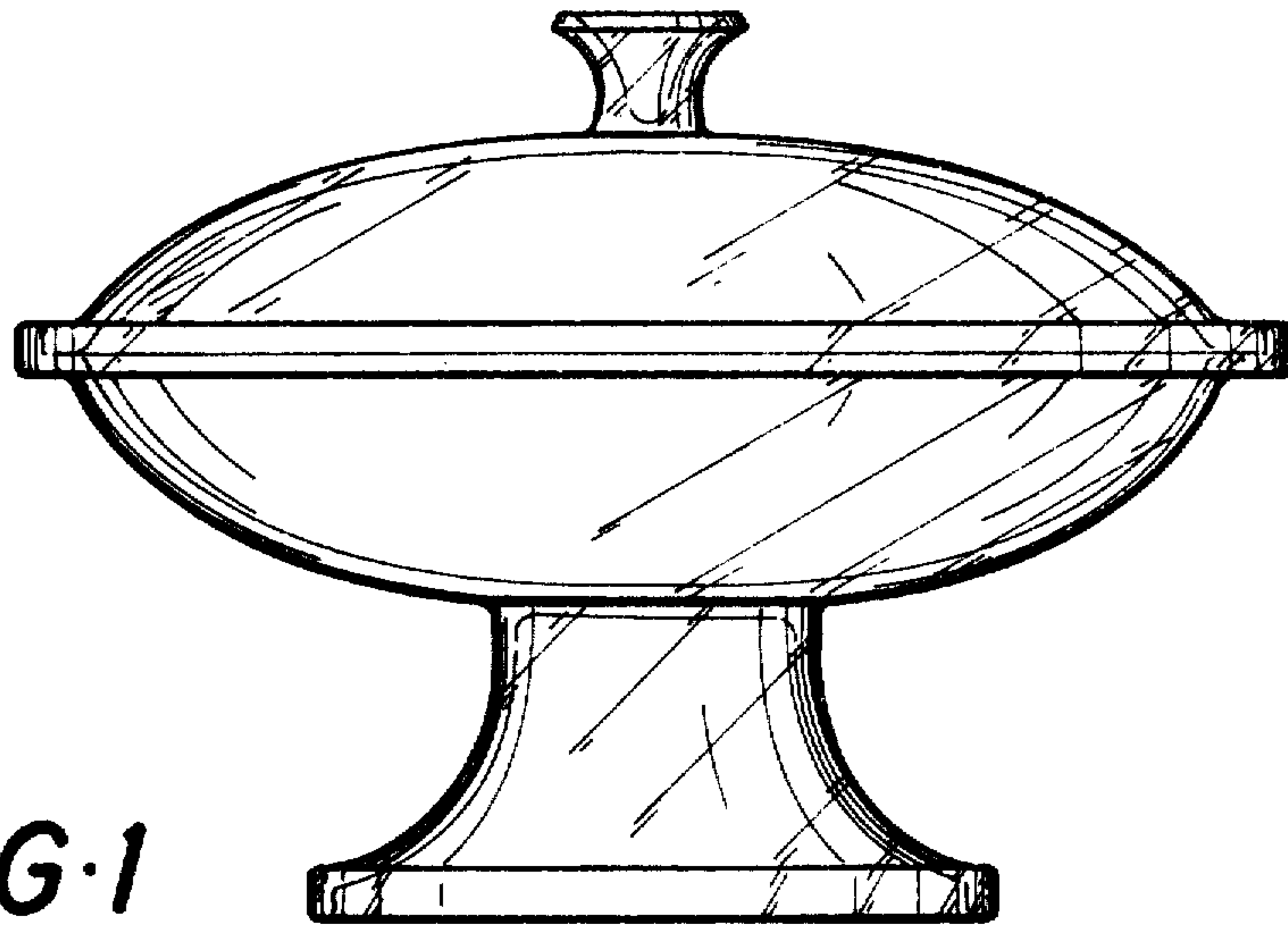


FIG. 1

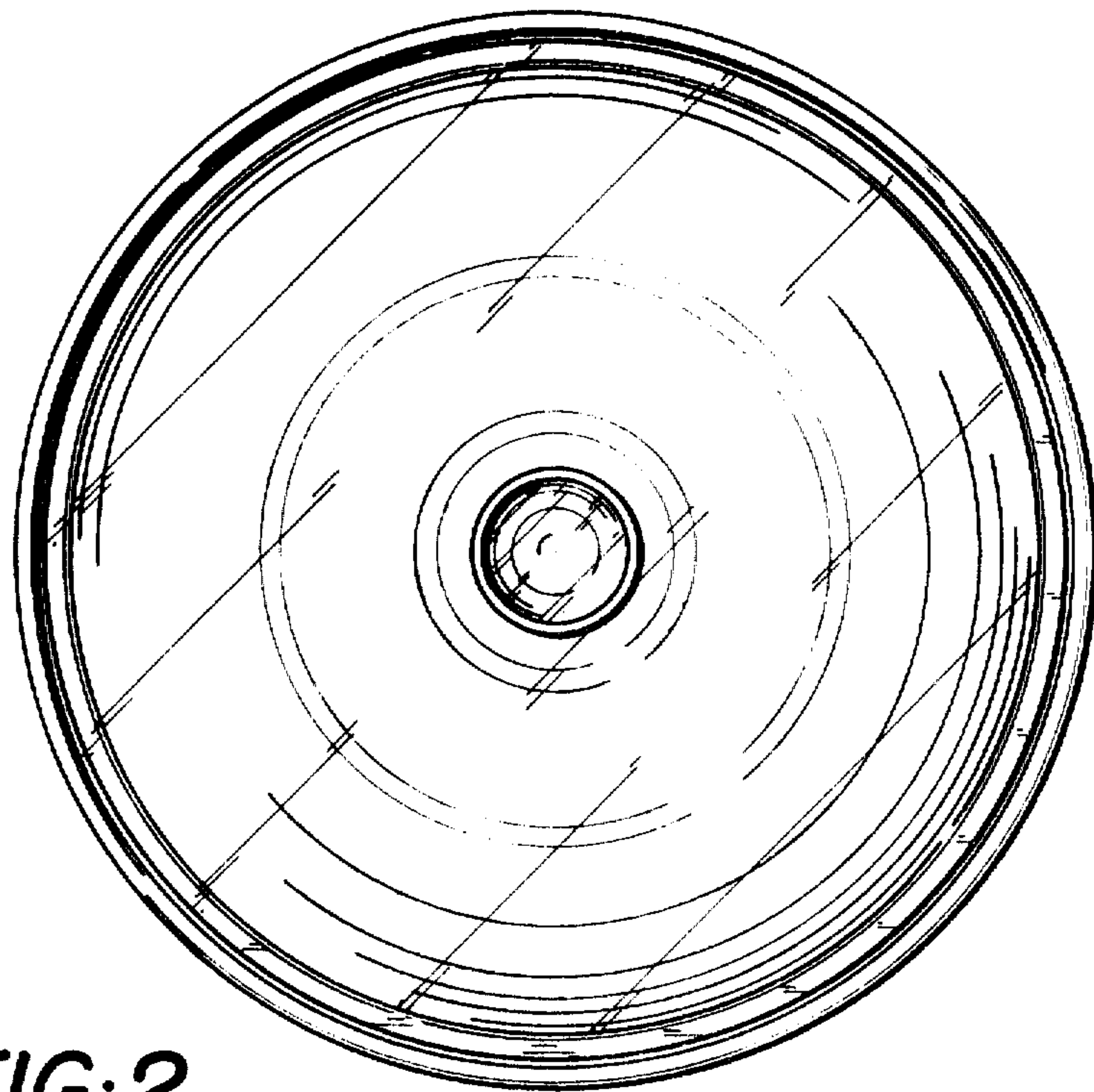


FIG. 2

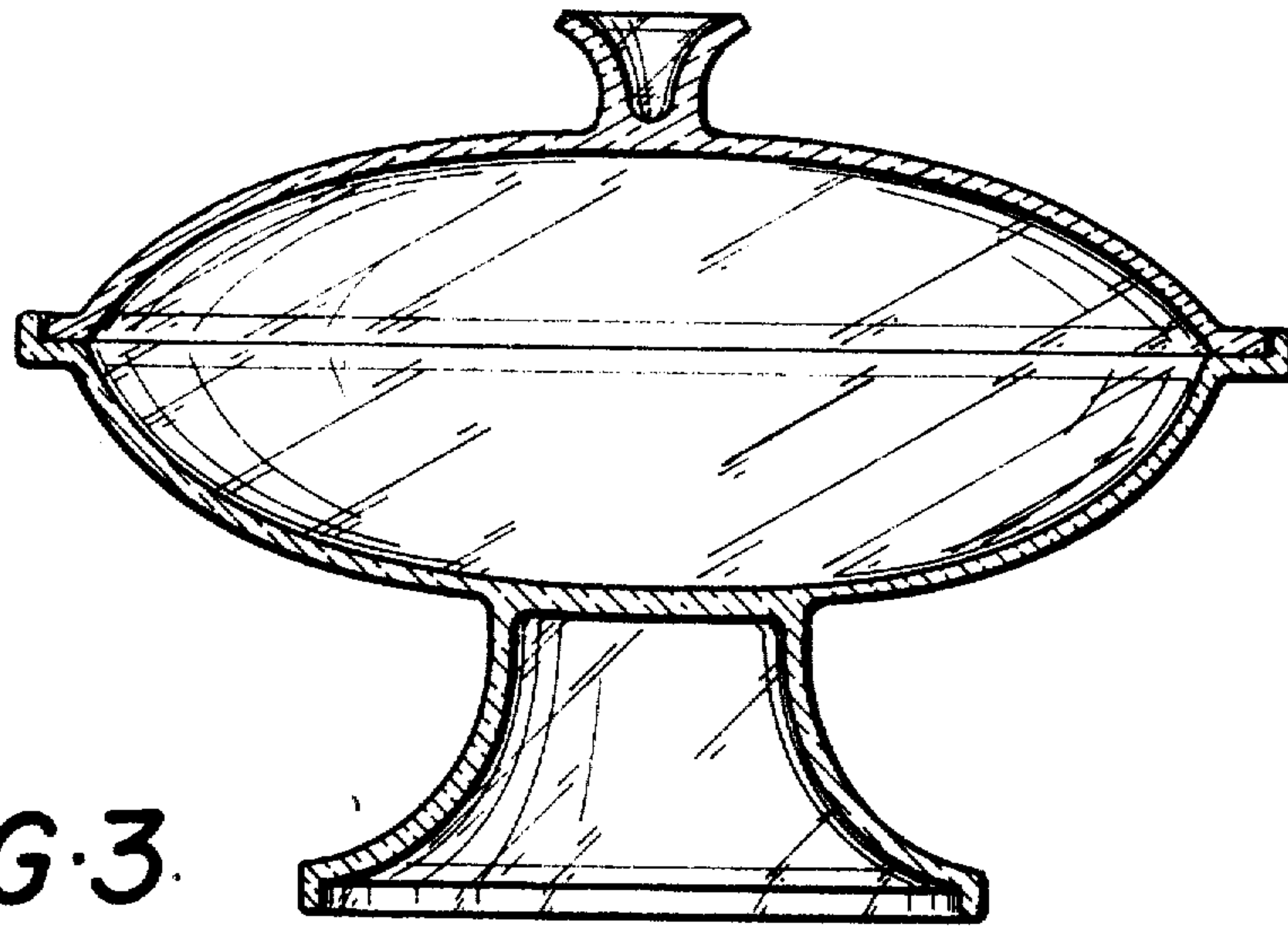


FIG. 3.

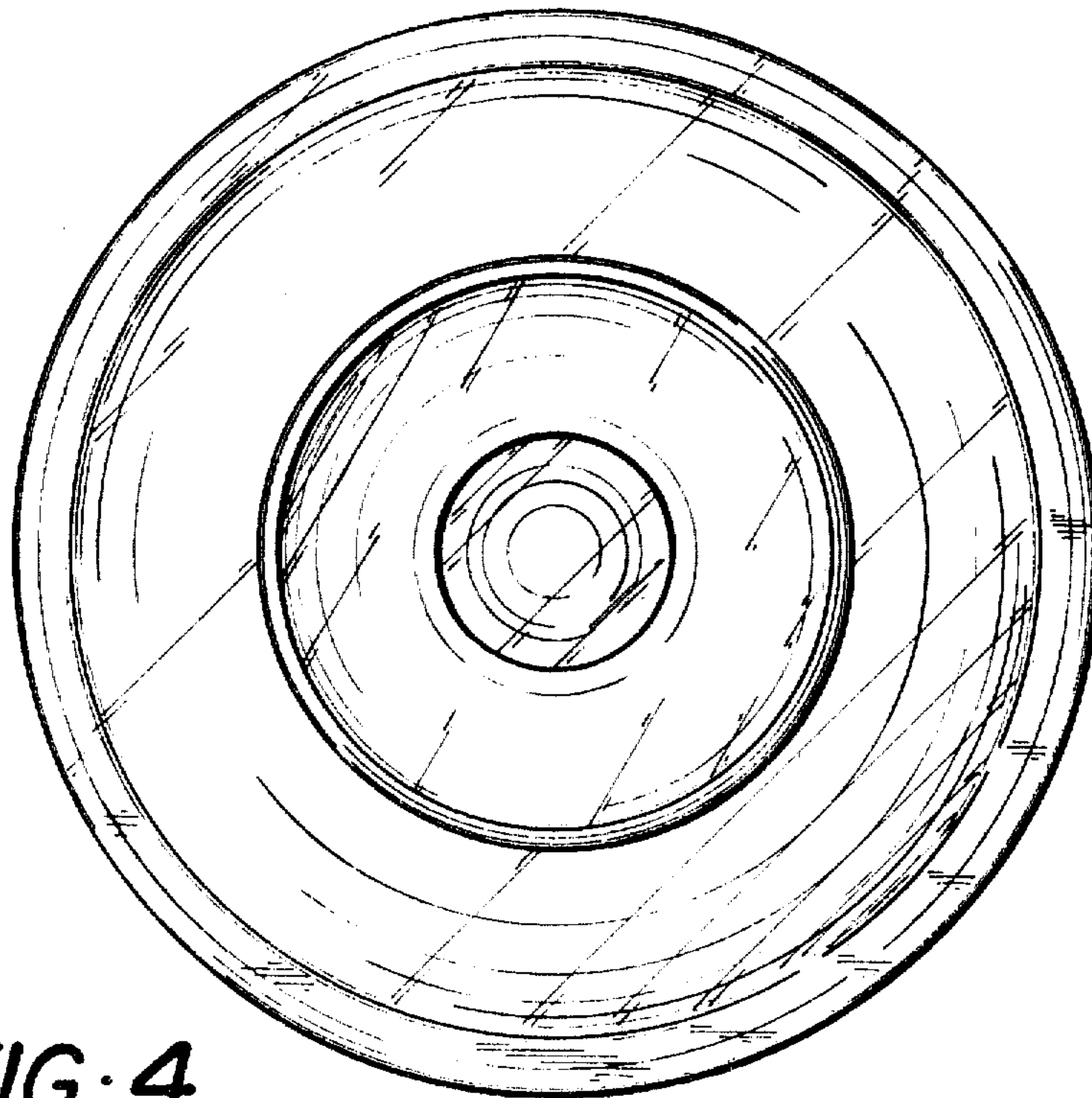


FIG. 4