

[54] HOSPITAL BED

[75] Inventors: Richard Sonder; Joseph L. Russo, both of New York, N.Y.

[73] Assignee: Thonet Industries, Inc., York, Pa.

[\*\*] Term: 14 Years

[21] Appl. No.: 394,664

[22] Filed: Jul. 2, 1982

Related U.S. Application Data

[63] Continuation of Ser. No. 102,590, Dec. 12, 1979.

[51] Int. Cl. .... D6-01

[52] U.S. Cl. .... D6/83; D6/79

[58] Field of Search ..... D6/79, 81, 83, 198, D6/84; 5/424-428, 430, 60

[56] References Cited

U.S. PATENT DOCUMENTS

3,104,402	9/1963	Johnson .....	5/428
3,195,153	7/1965	Armstrong et al. ....	5/430
3,840,917	10/1974	Taylor .....	5/430
3,930,273	1/1976	Stern .....	5/430
3,971,083	7/1976	Peterson .....	5/430

Primary Examiner—Jane E. Corrigan  
Attorney, Agent, or Firm—Schwartz & Weinrieb

[57] CLAIM

The ornamental design for a hospital bed, as shown and described.

DESCRIPTION

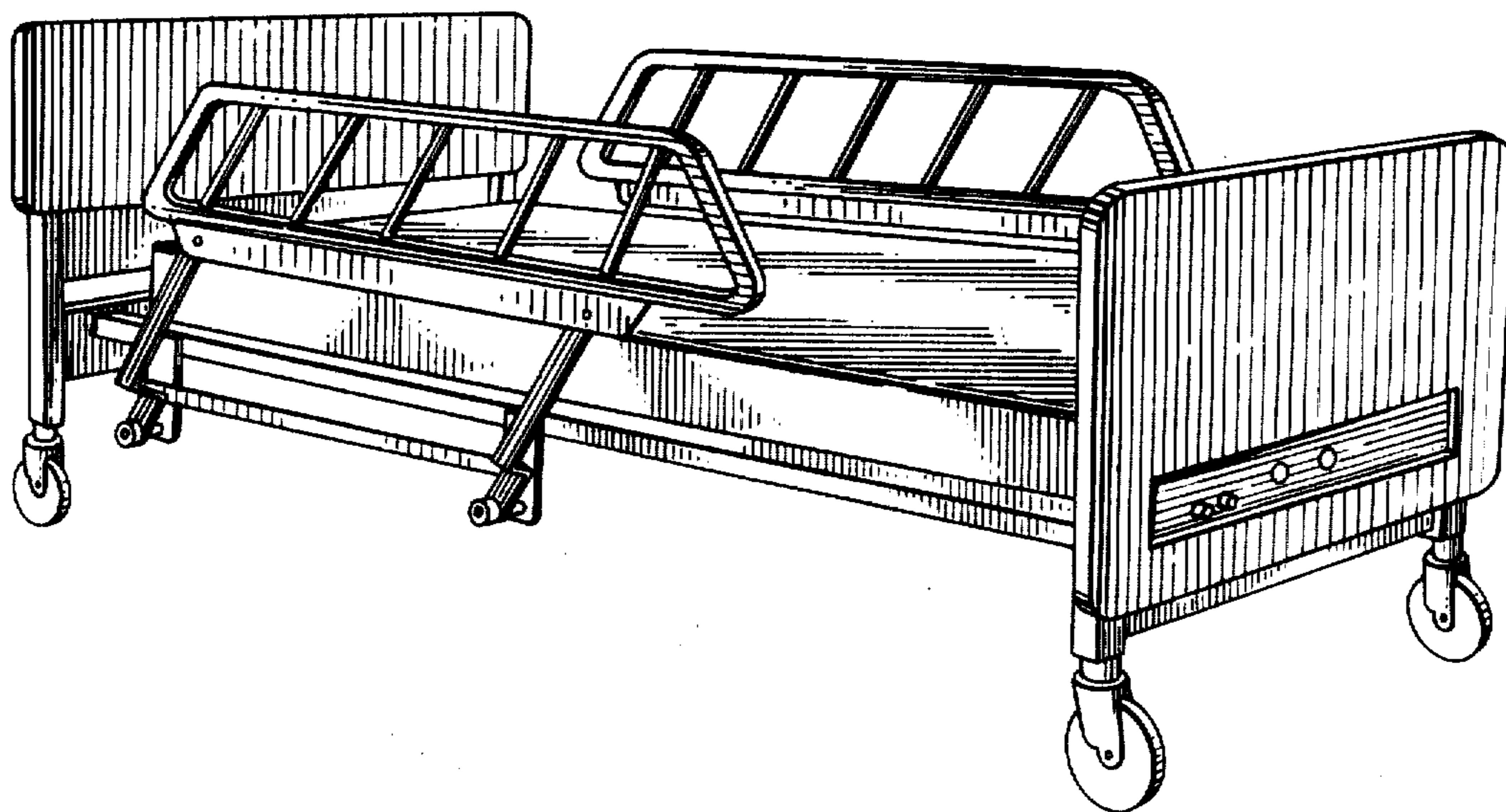
FIG. 1 is a front, top and left side perspective view of a hospital bed showing our new design;

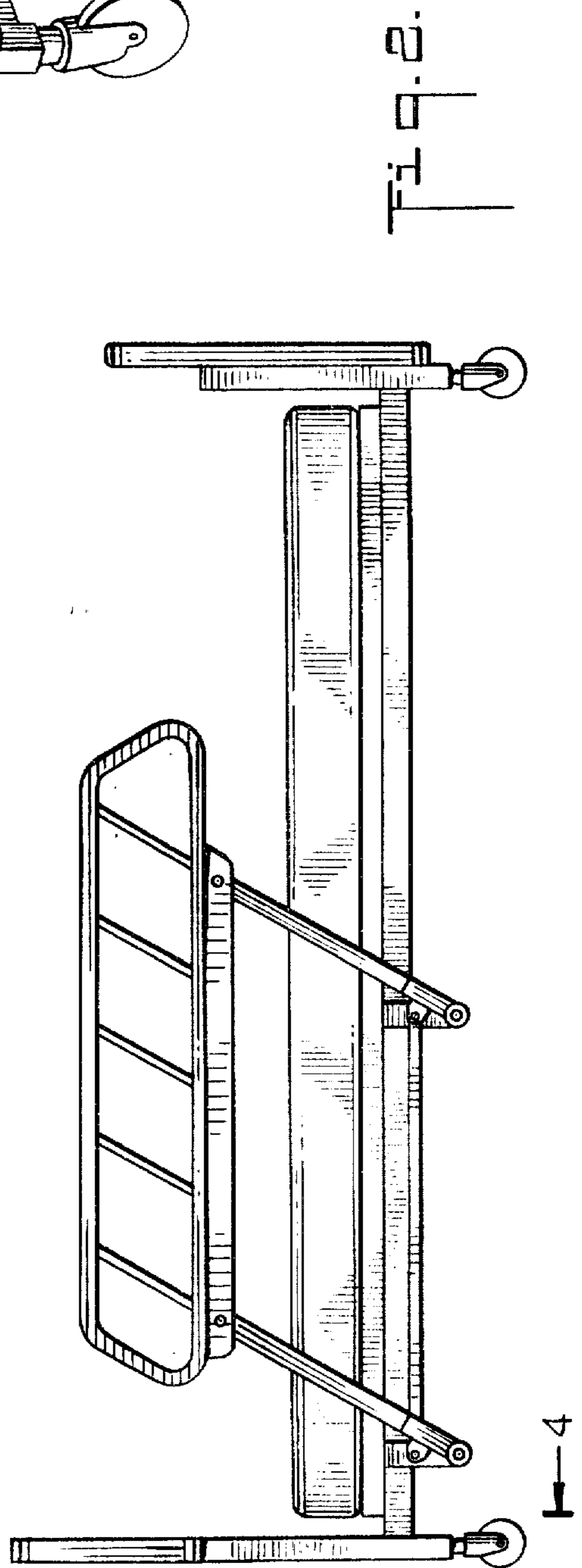
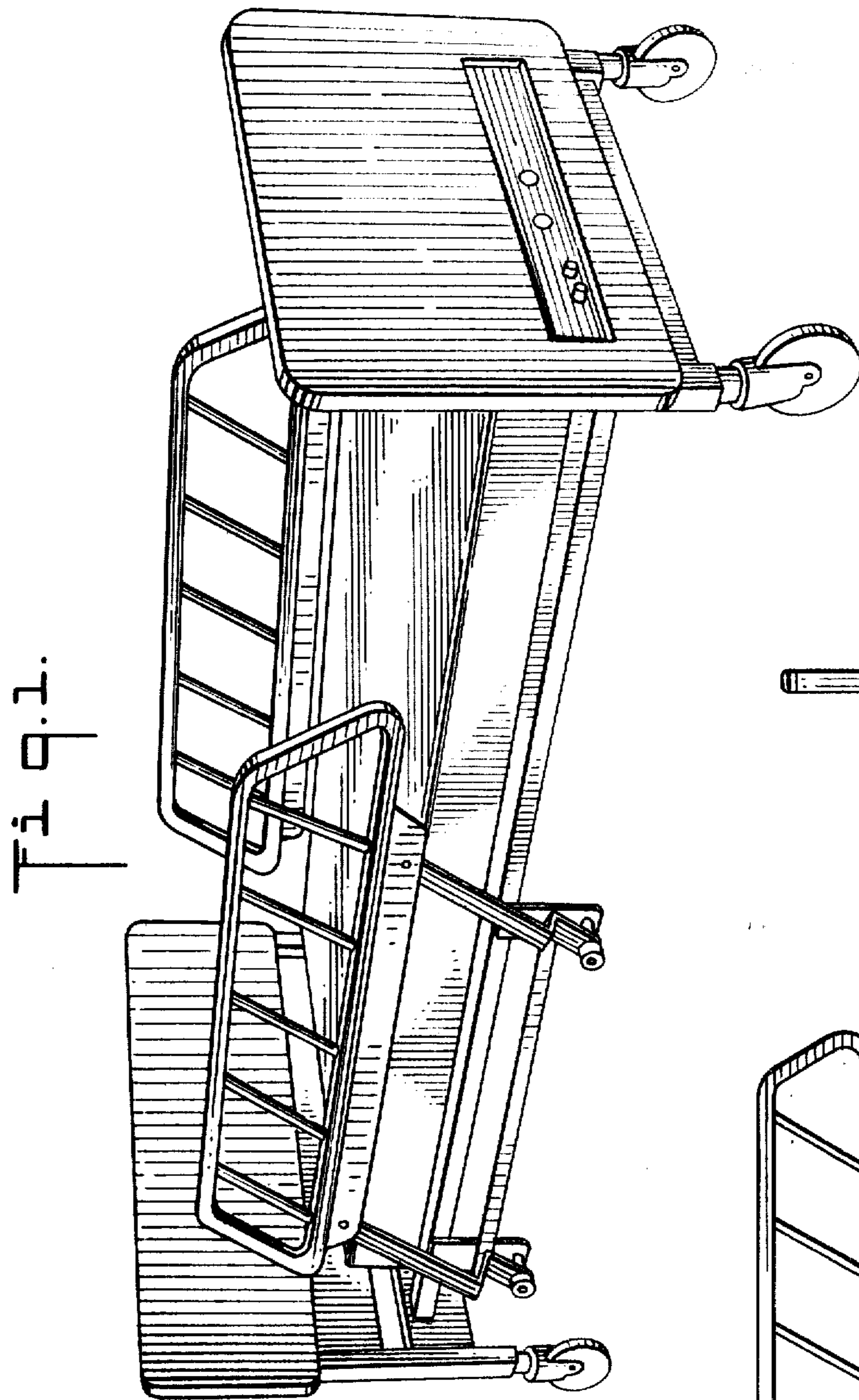
FIG. 2 is a left side elevational view;

FIG. 3 is a top plan view;

FIG. 4 is a sectional view taken along line 4-4 in FIG. 2; and

FIG. 5 is a rear elevational view.





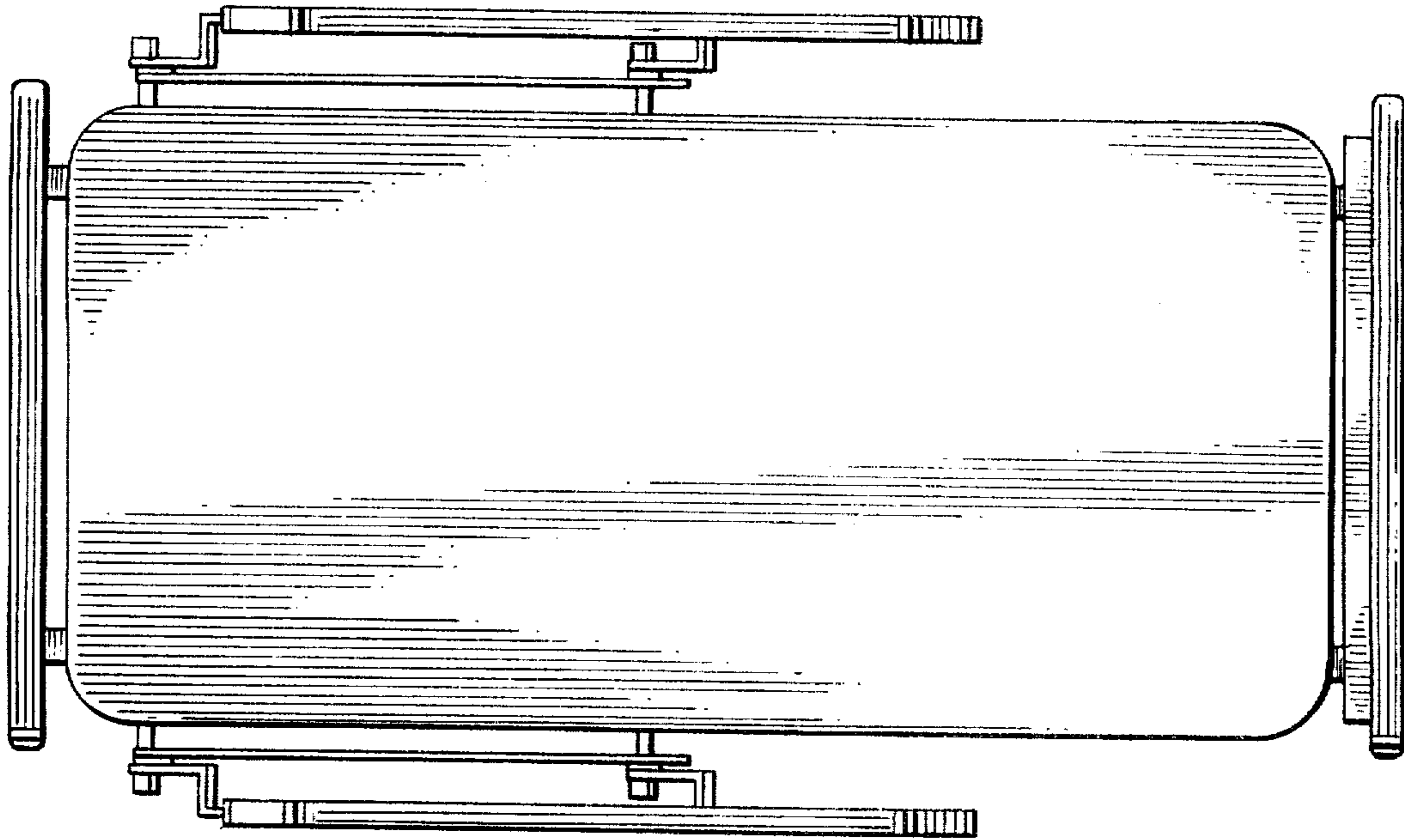


Fig. 3.

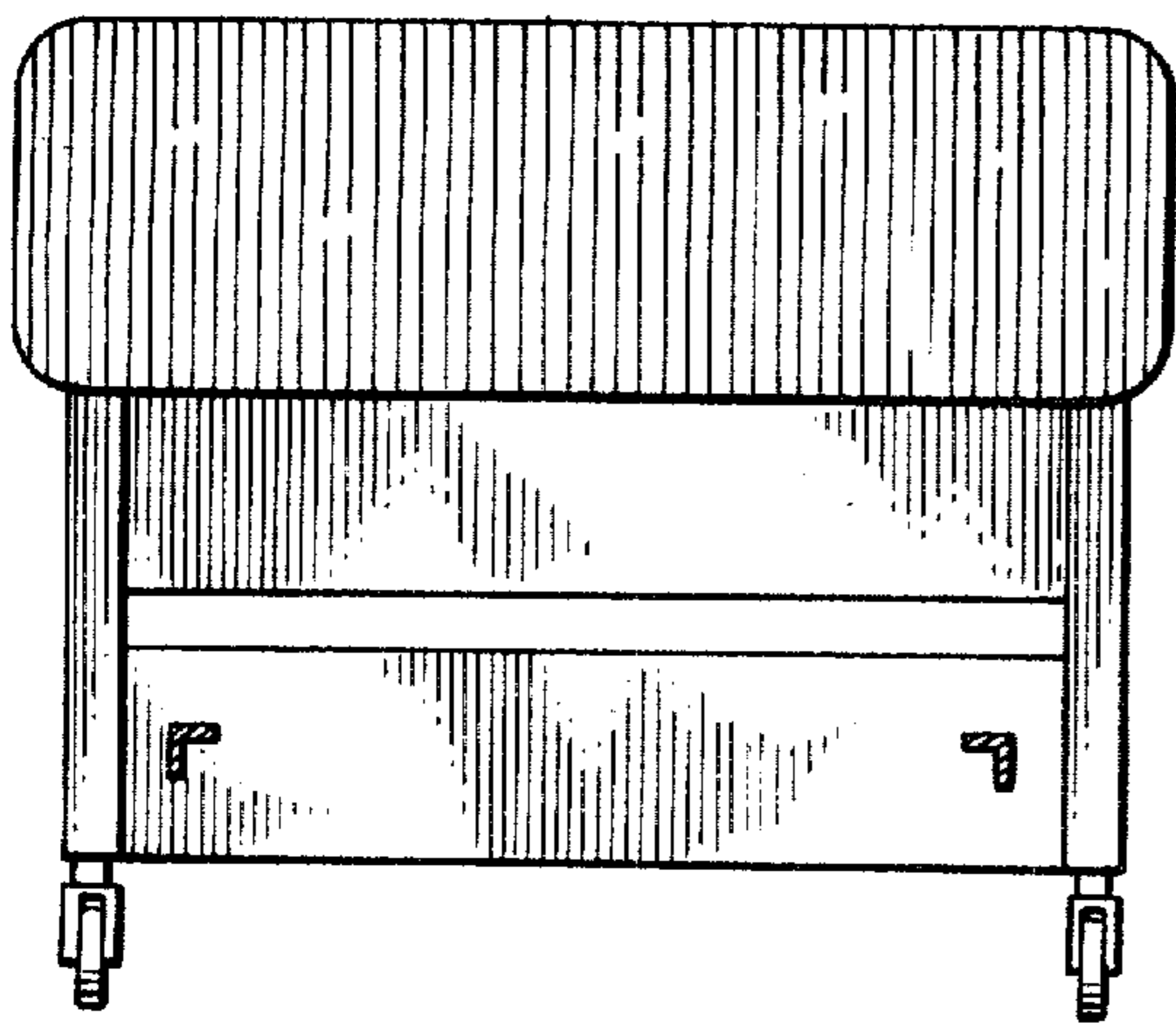


Fig. 4.

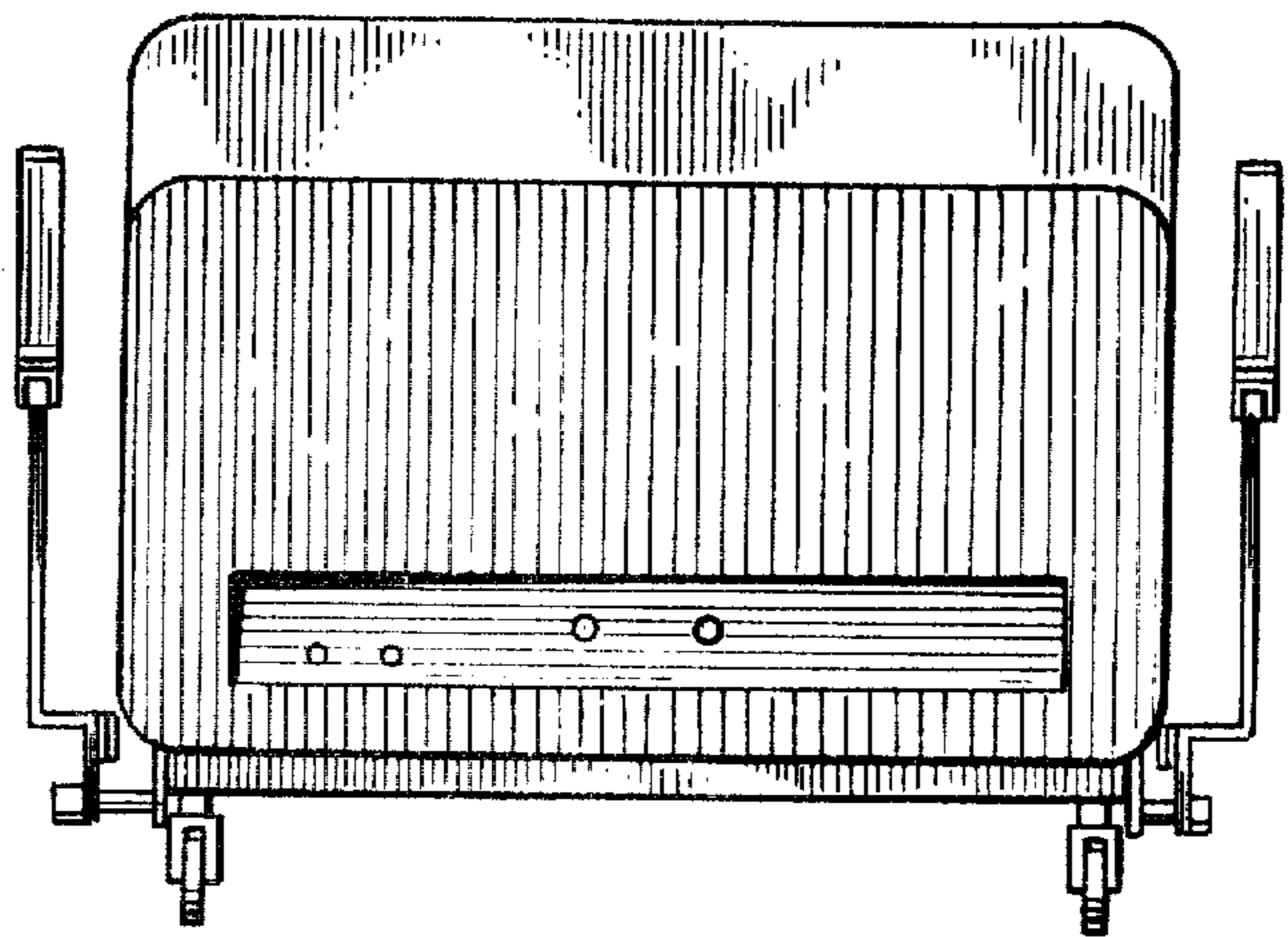


Fig. 5.