

[54] SHIM FOR FRONT WHEEL DRIVE VEHICLE

4,346,945 8/1982 Tsuboi 308/244

[76] Inventor: Frank S. Bigelow, 9240 Yellowstone Rd., Longmont, Colo. 80501

[**] Term: 14 Years

[21] Appl. No.: 381,352

[22] Filed: May 24, 1982

[51] Int. Cl. D8-99

[52] U.S. Cl. D8/354

[58] Field of Search D8/354, 399; 308/244; 411/539, 522; D12/13; 248/188.2

[56] References Cited

U.S. PATENT DOCUMENTS

D. 219,768	1/1971	Conwill	D8/354
D. 246,346	11/1977	Strunk	D8/399
D. 263,927	4/1982	Dewey	D8/354
1,951,730	3/1934	Johnson	308/244
1,955,714	4/1934	Blackmer et al.	308/244
2,772,596	12/1956	Trussell	308/244
3,285,568	11/1966	Biach	411/539
3,495,496	2/1970	Keim	D8/354

OTHER PUBLICATIONS

'75 Automotive & Motorcycle Catalog, vol. 75-1, published by Honest Charley; Carburetor Adapters, pp. 26, 27.

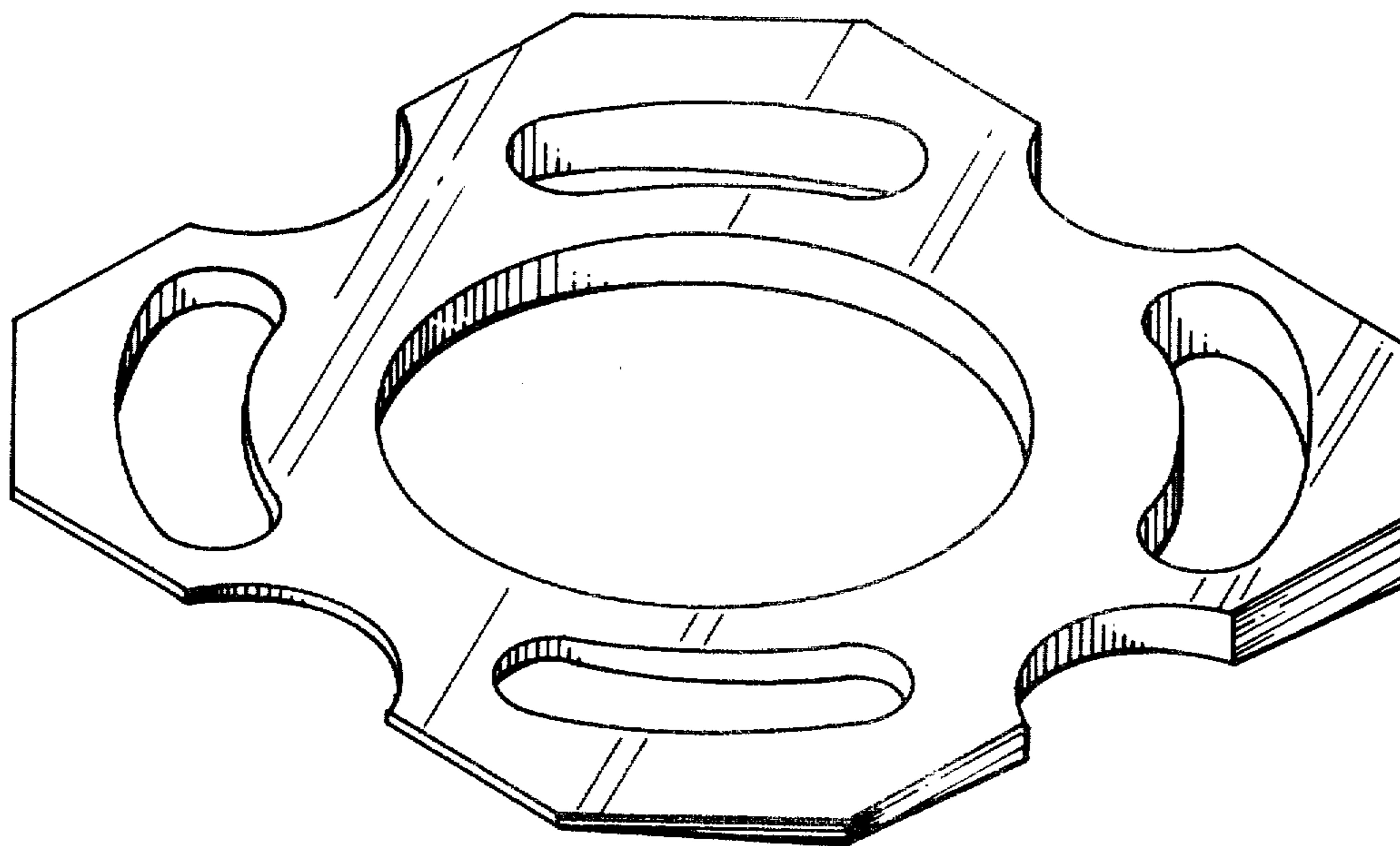
Primary Examiner—Wallace R. Burke
Assistant Examiner—Horace B. Fay, Jr.
Attorney, Agent, or Firm—Bruce G. Klaas; William P. O'Meara

[57] CLAIM

An ornamental design of a shim for front wheel drive vehicle, substantially as shown and described.

DESCRIPTION

FIG. 1 is a perspective view of a shim for front wheel drive vehicle showing my new design;
FIG. 2 is a top view thereof, with the bottom view being a mirror image;
FIG. 3 is a right side elevation view thereof, with the right side elevation view being a mirror image;
FIG. 4 is a back view thereof;
FIG. 5 is a front elevation view thereof.



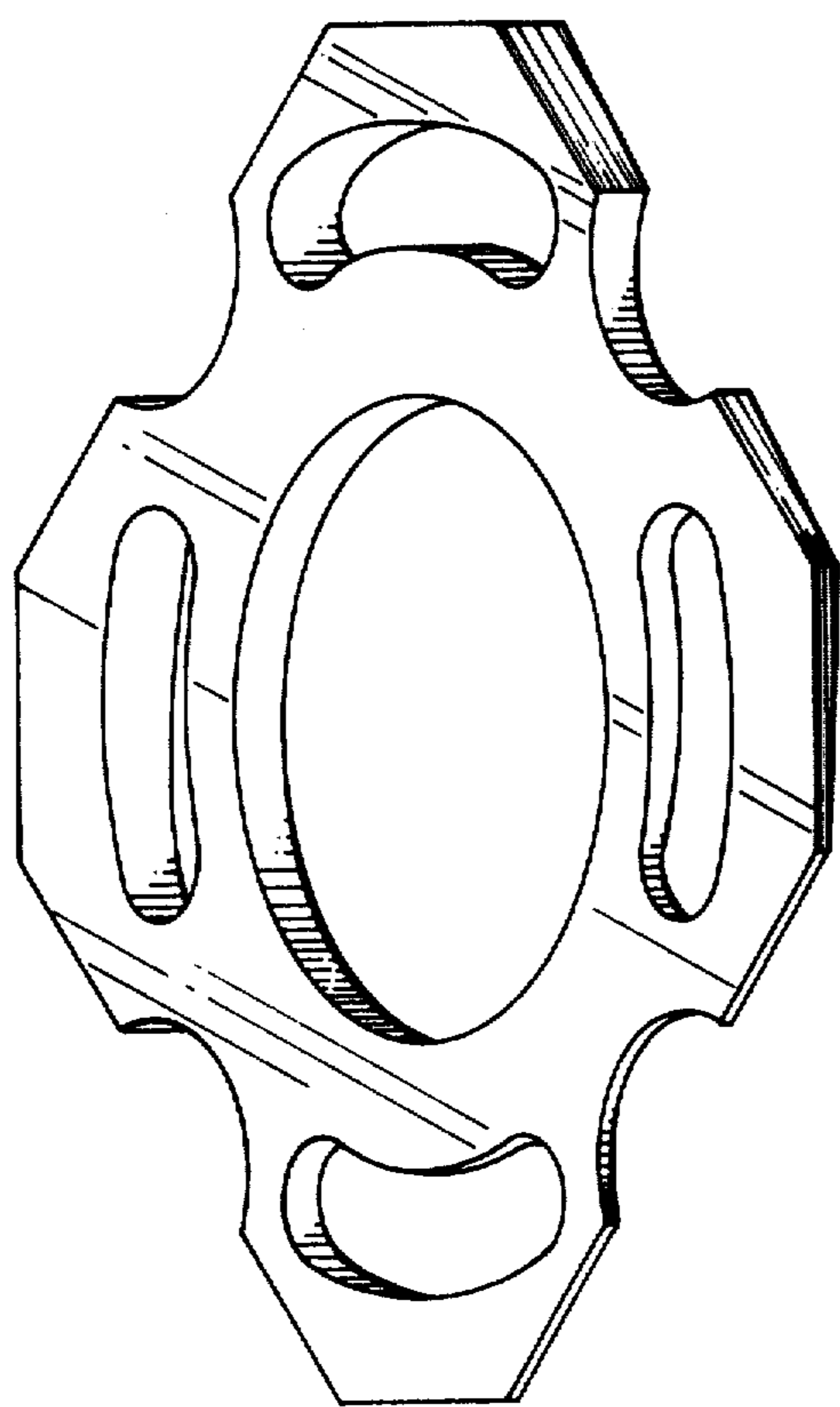


FIG. 1



FIG. 3



FIG. 4

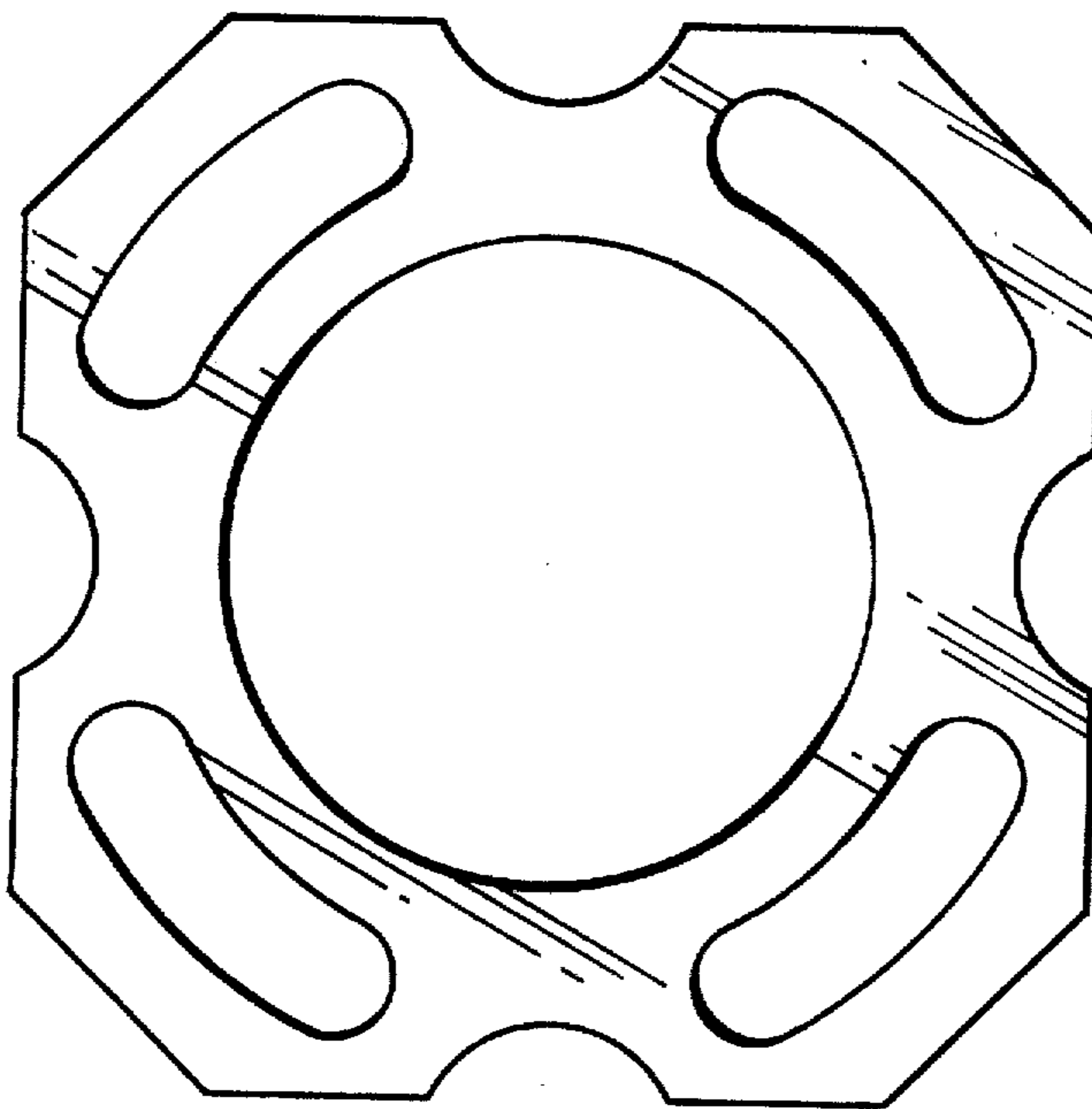


FIG. 2

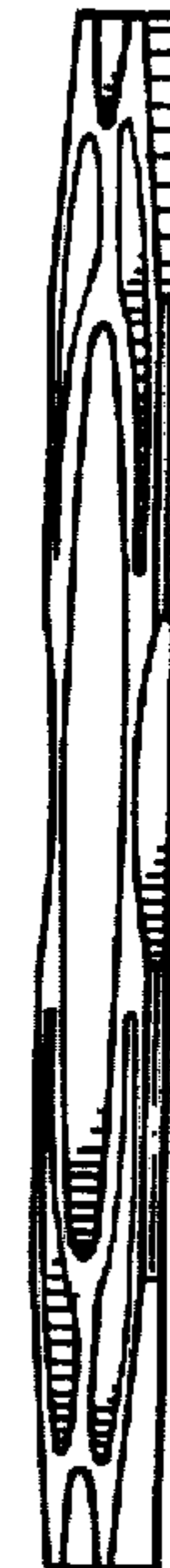


FIG. 5