

- [54] X-RAY APPARATUS FOR DENTAL WHOLE JAW
- [75] Inventors: **Kozo Nakano**, Kyoto; **Kazuo Nishikawa**, Yawata, both of Japan
- [73] Assignee: **Kabushiki Kaisha Morita Seisakusho**, Kyoto, Japan
- [**] Term: **14 Years**
- [21] Appl. No.: **213,509**
- [22] Filed: **Dec. 5, 1980**
- [30] **Foreign Application Priority Data**
 Jun. 18, 1980 [JP] Japan 55-24343
- [51] Int. Cl. **D24-01**
- [52] U.S. Cl. **D24/02**
- [58] Field of Search 250/478, 479, 460, 521, 250/523; D24/2

- [56] **References Cited**
- U.S. PATENT DOCUMENTS**
- D. 244,805 6/1977 Ohlson D24/2
- D. 246,665 12/1977 Updegrave D24/2

OTHER PUBLICATIONS

S. S. White Dental, General Cat.-1960, p. 20, Panoramic Dental X-ray Machine.

Primary Examiner—Bernard Ansher
Attorney, Agent, or Firm—Koda and Androlia

[57] **CLAIM**

The ornamental design for an X-ray apparatus for dental whole jaw, as substantially shown.

DESCRIPTION

FIG. 1 shows a left-side elevational view of the X-ray apparatus for dental whole jaw showing our new design;
 FIG. 2 shows a front elevational view thereof;
 FIG. 3 shows a right-side elevational view thereof;
 FIG. 4 shows a top plan view thereof;
 FIG. 5 shows a bottom plan view thereof;
 FIG. 6 shows a rear elevational view thereof;
 FIG. 7 is a top front perspective view as seen from the top and front of FIG. 2; and
 FIG. 8 is a bottom and rear perspective view as seen from the rear and bottom of FIG. 2.

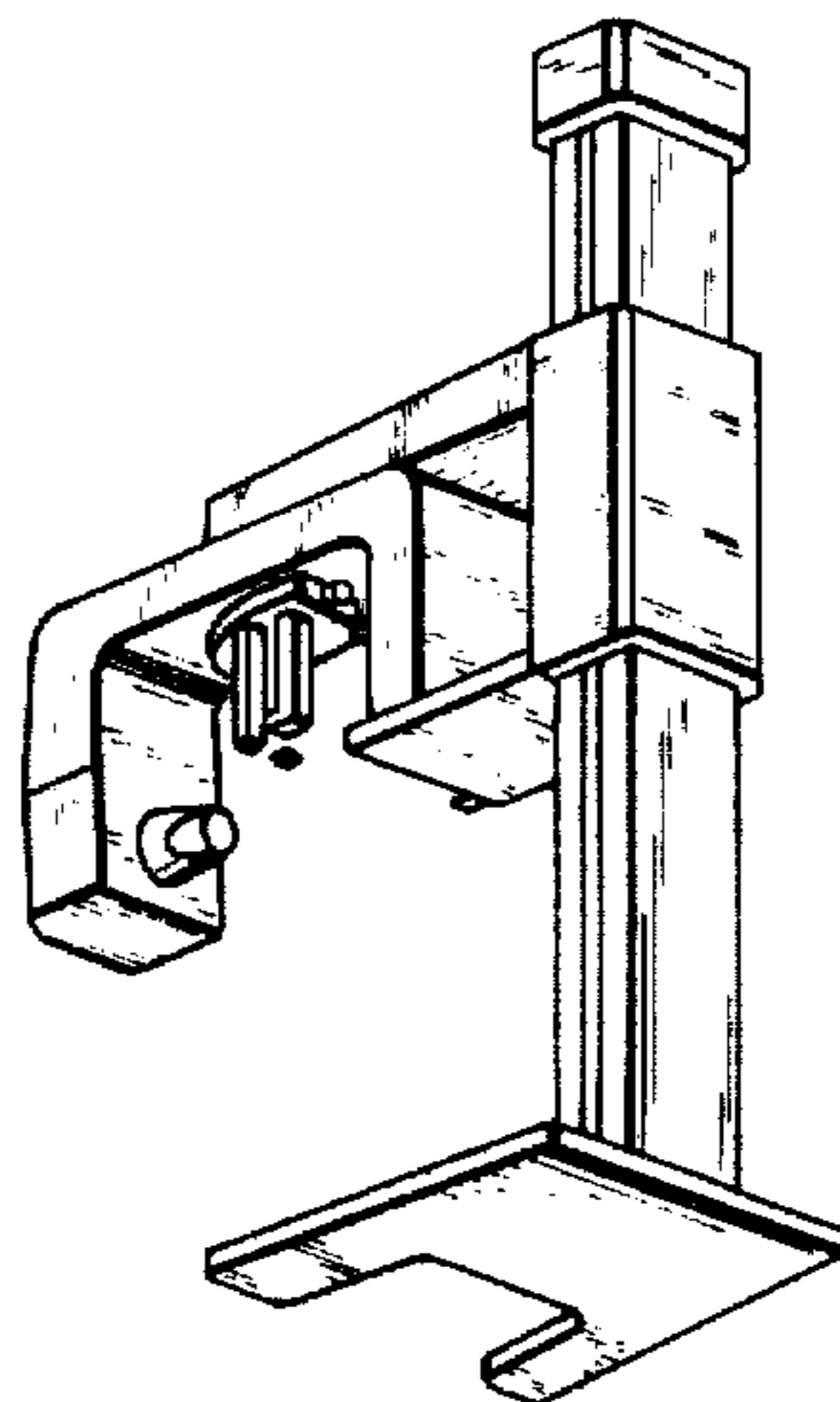
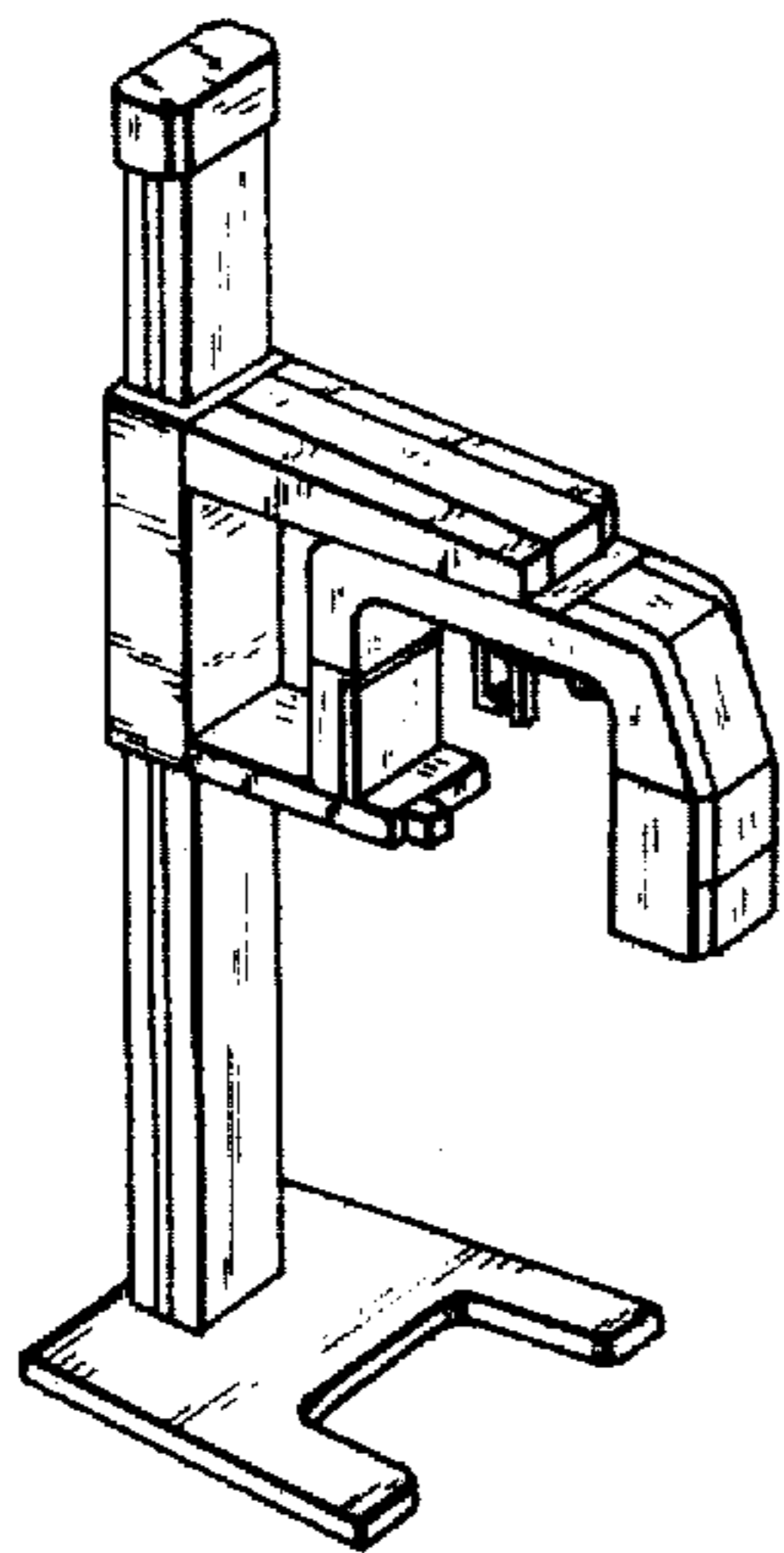


FIG. 1

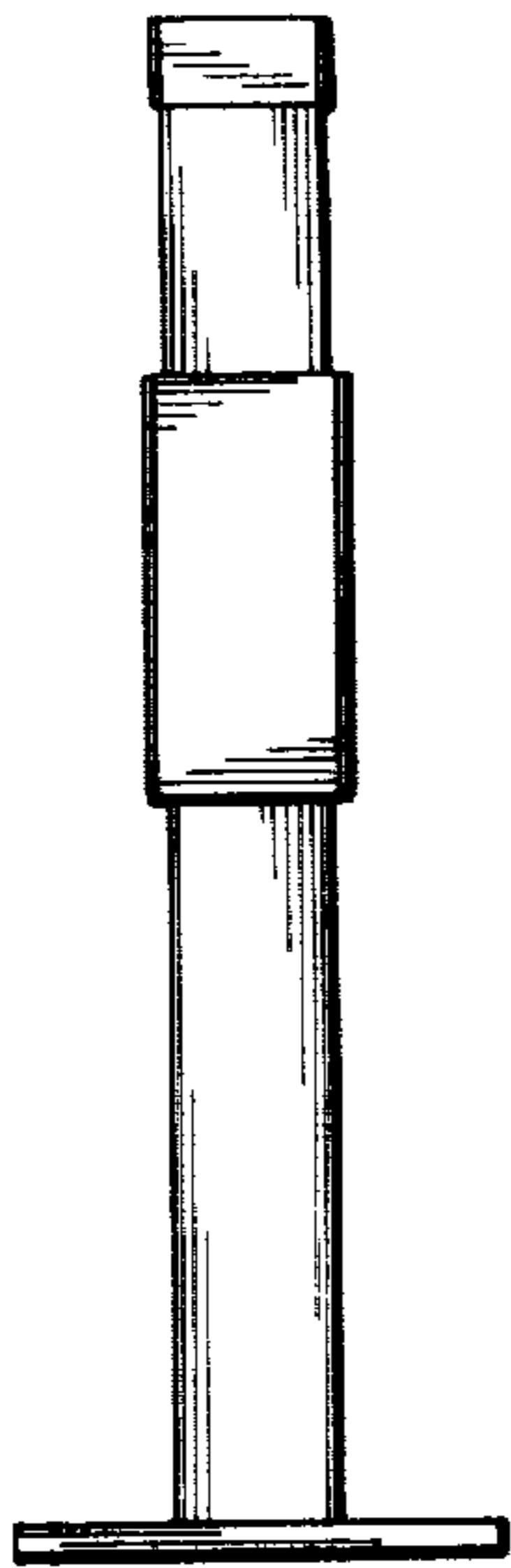


FIG. 2

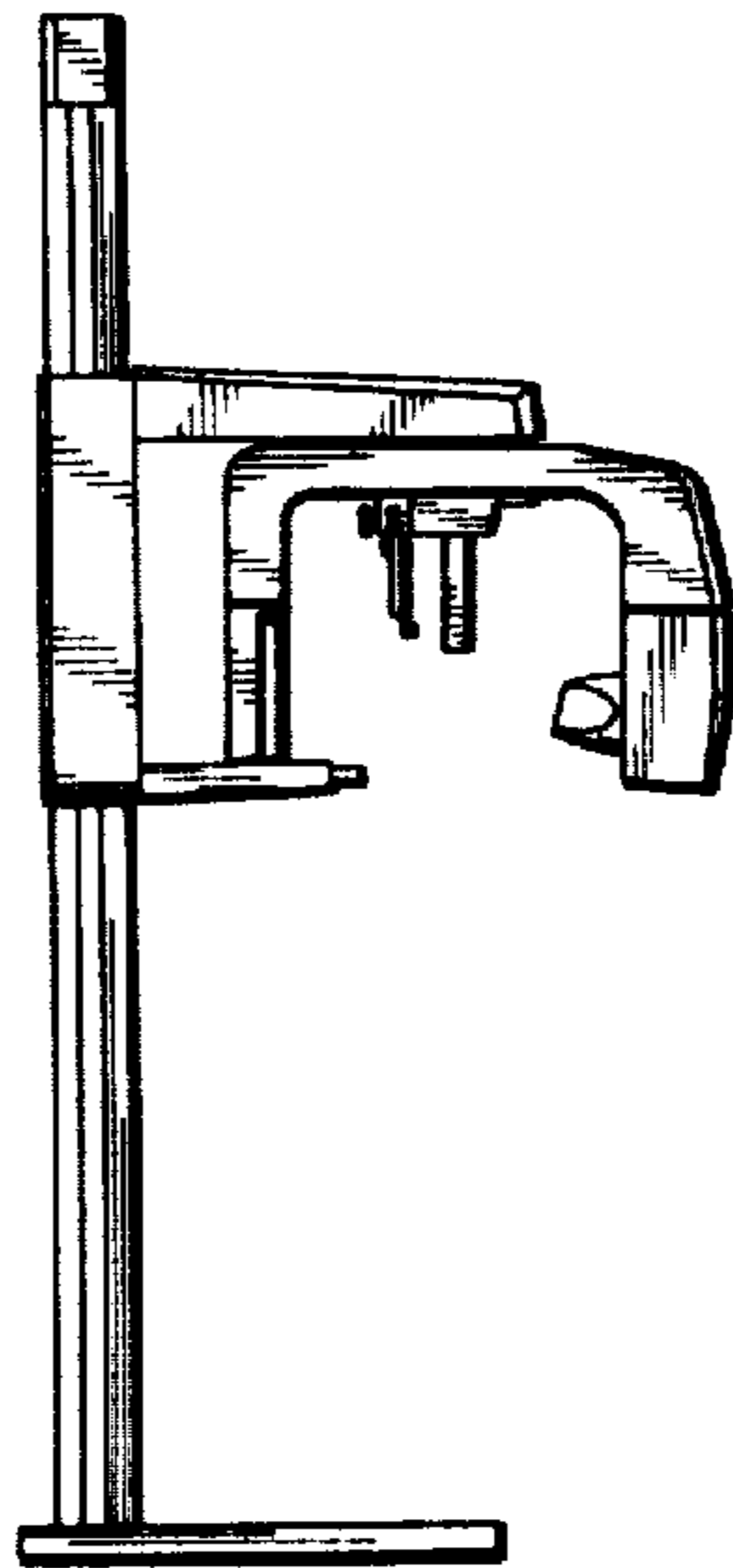


FIG. 3

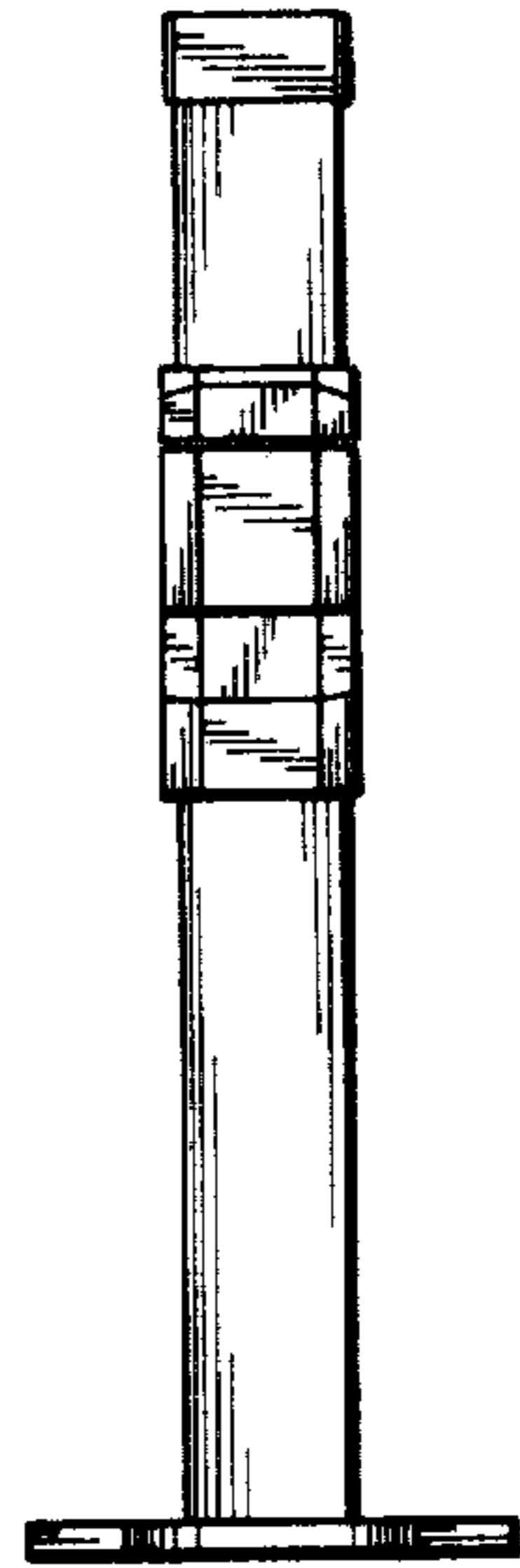


FIG. 4

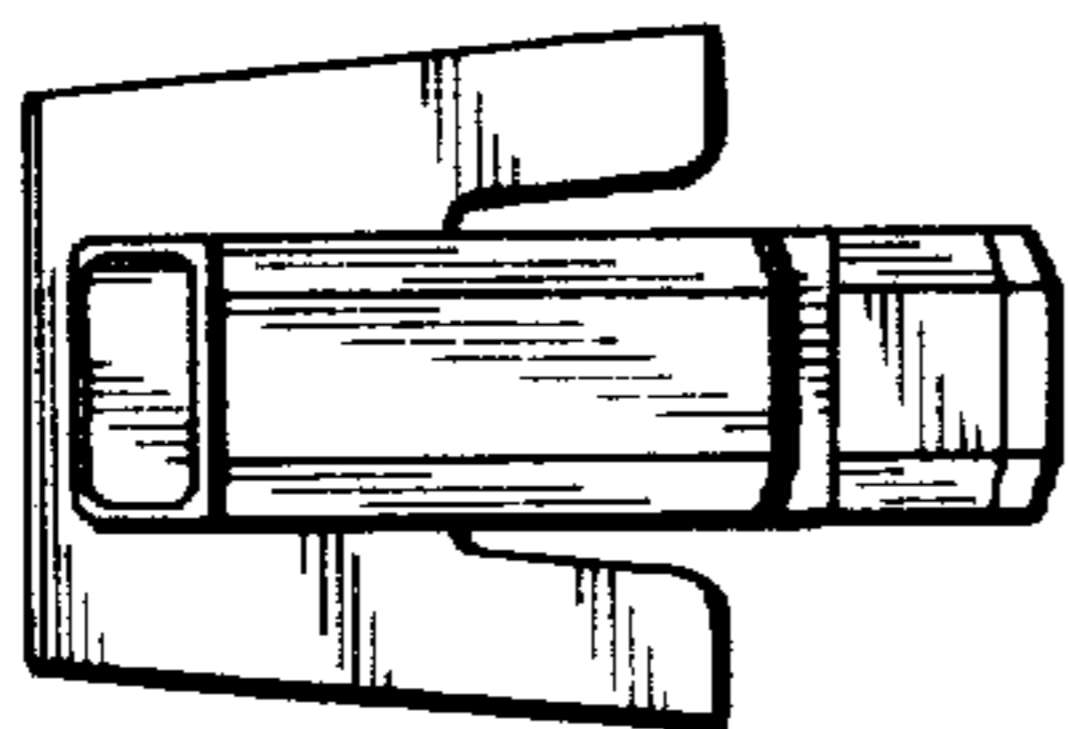


FIG. 6

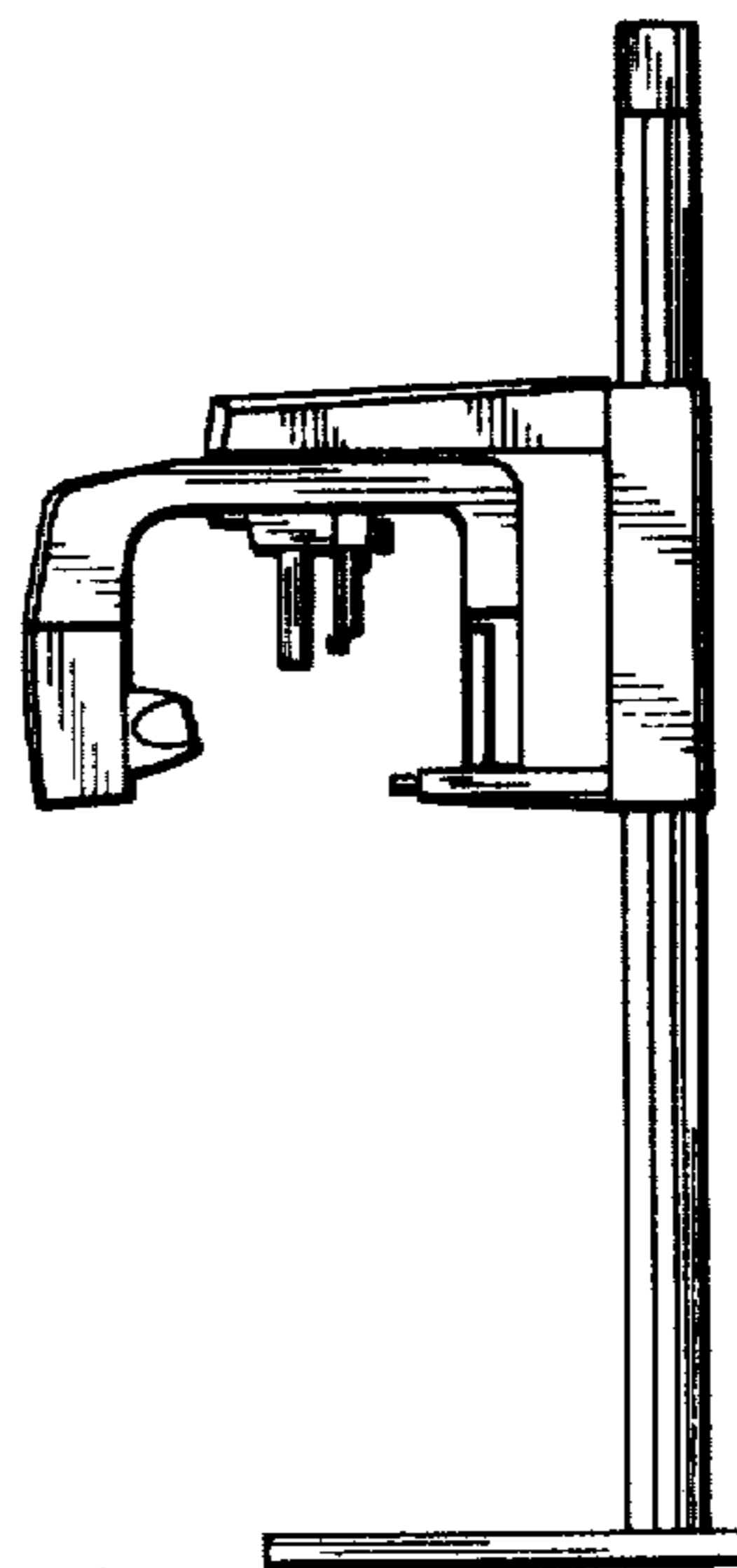


FIG. 5

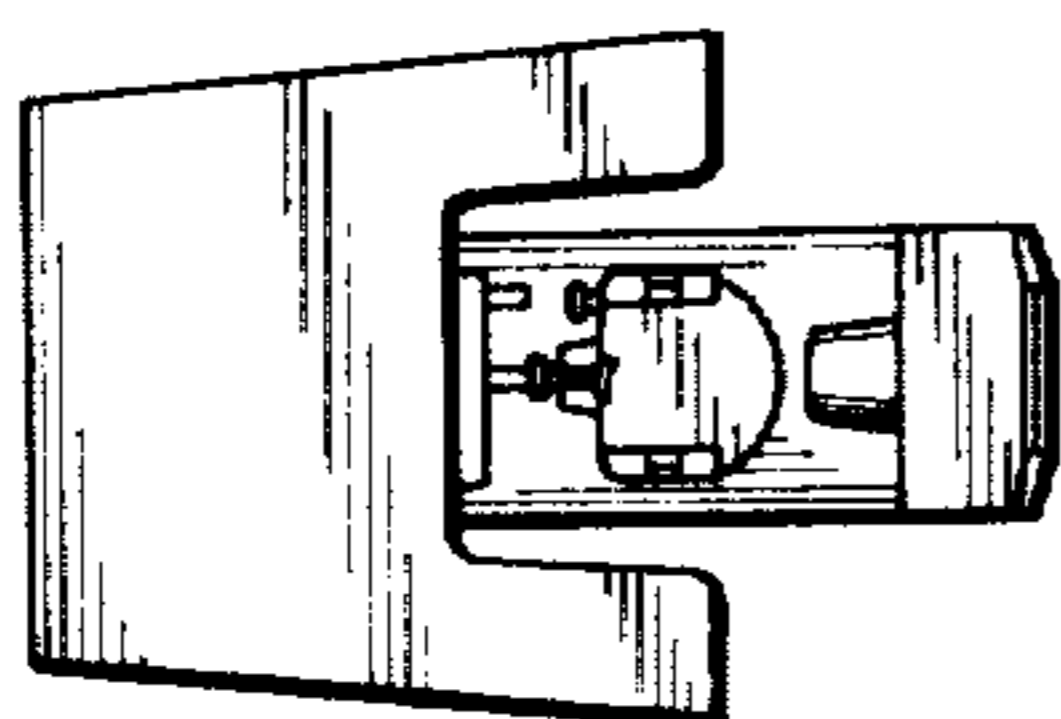


FIG. 7

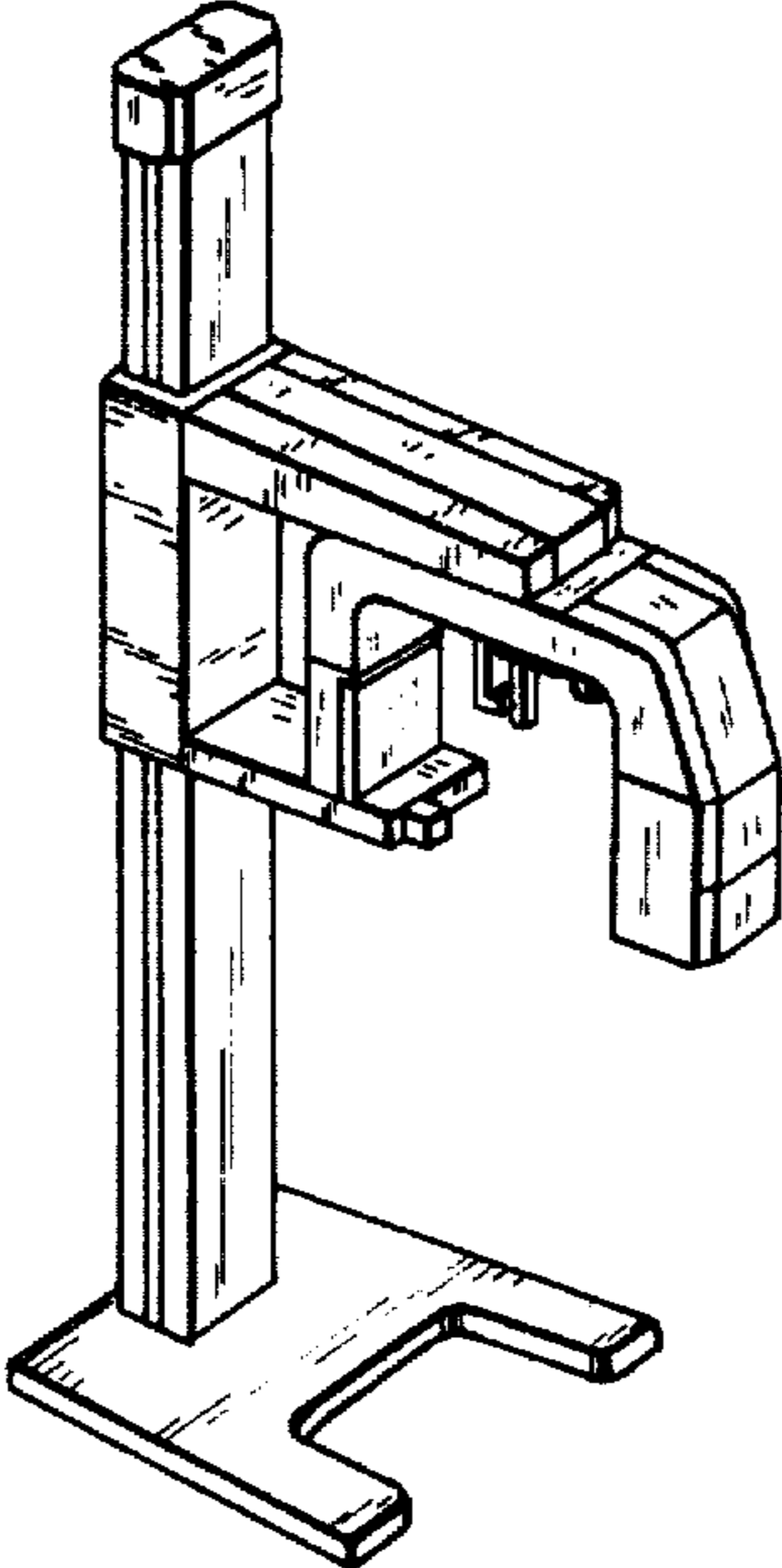


FIG. 8

