

[54] GAS FIRED POULTRY BROODER WITH CERAMIC-TYPE RADIANT

[75] Inventor: William H. Johnson, Harrisonburg, Va.

[73] Assignee: Shenandoah Manufacturing Co., Inc., Harrisonburg, Va.

[**] Term: 14 Years

[21] Appl. No.: 351,464

[22] Filed: Oct. 14, 1981

[51] Int. Cl. D23-03

[52] U.S. Cl. D23/80

[58] Field of Search D23/80; D26/24; 119/31, 119/32

[56] References Cited

U.S. PATENT DOCUMENTS

D. 124,771 1/1941 Alder D23/80

2,603,738	7/1952	Schubert et al.	119/31 X
3,563,206	2/1971	Hermann	119/32
3,691,996	9/1972	Bowell	119/32
3,765,610	10/1973	Schell	119/32 X
3,976,243	8/1976	Christophel	119/32 X

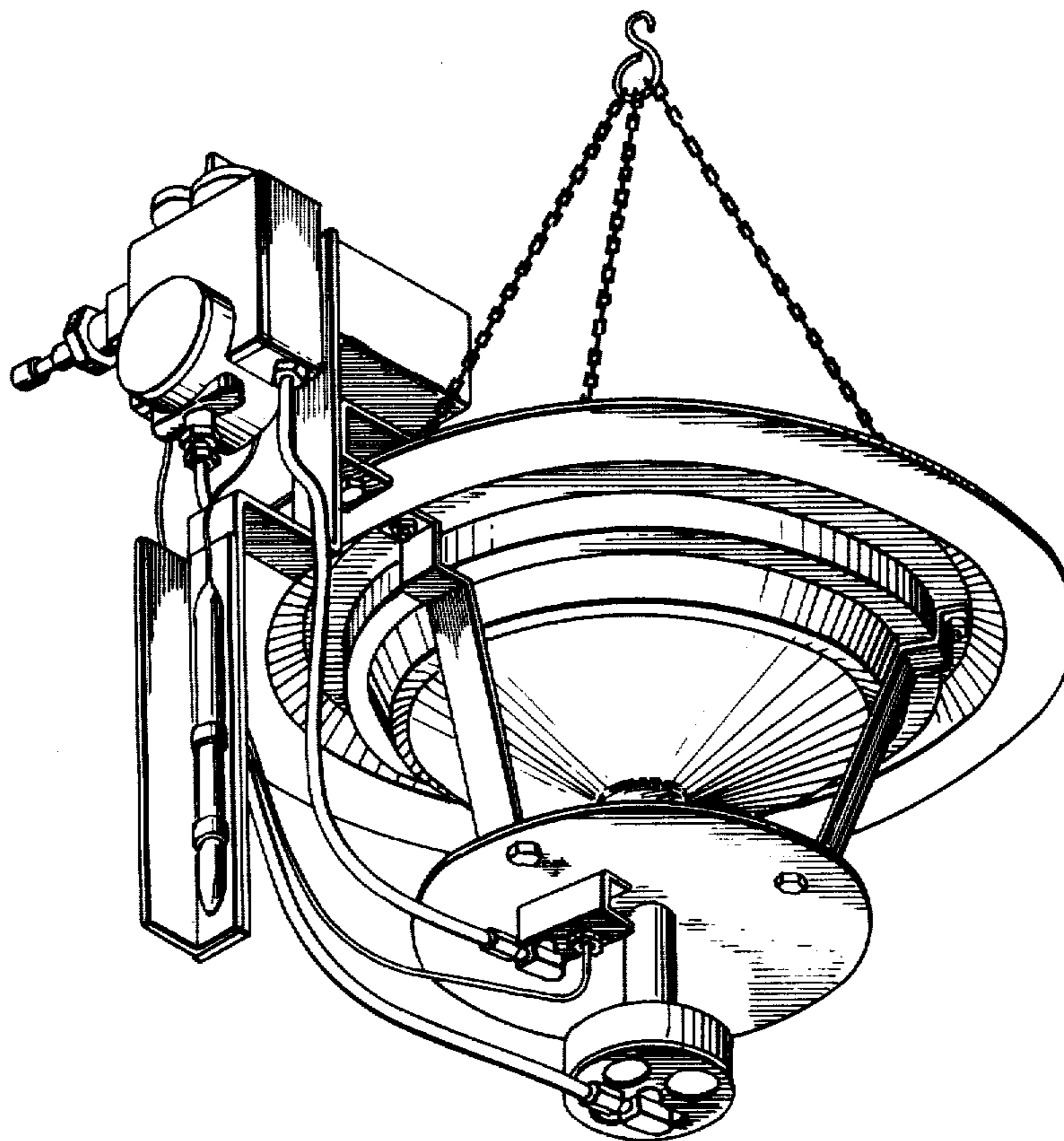
Primary Examiner—Catherine E. Kemper
Attorney, Agent, or Firm—Mason, Fenwick & Lawrence

[57] CLAIM

The ornamental design for a gas fired poultry brooder with ceramic-type radiant, as shown and described.

DESCRIPTION

FIG. 1 is a front perspective view, viewed from below, of a gas fired poultry brooder with ceramic-type radiant, showing my new design;
FIG. 2 is a right side elevation view thereof;
FIG. 3 is a front elevation view thereof;
FIG. 4 is a left side elevation view thereof;
FIG. 5 is a rear elevation view thereof;
FIG. 6 is a top plan view thereof; and
FIG. 7 is a bottom view thereof.



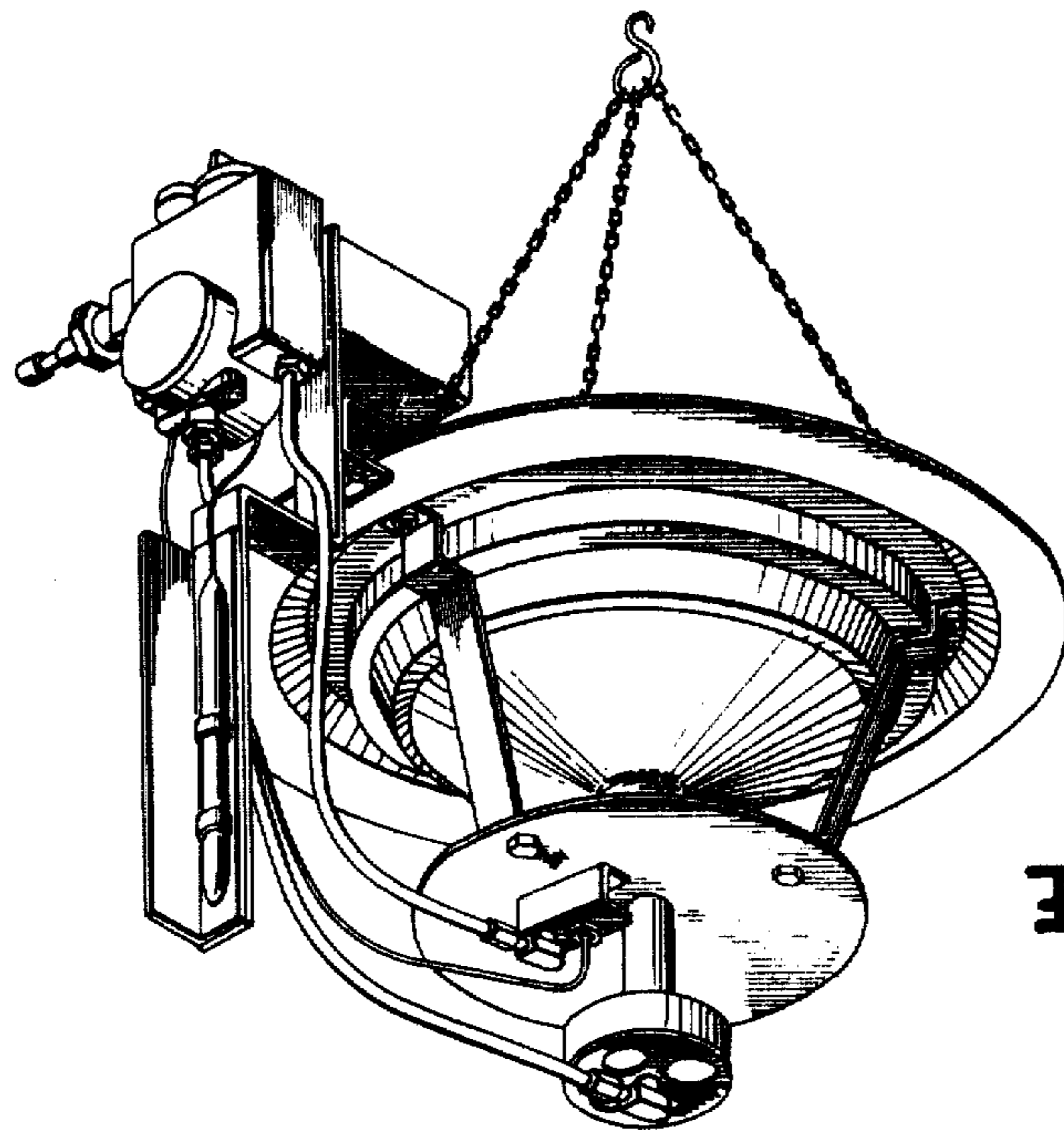


Fig-1

Fig-2

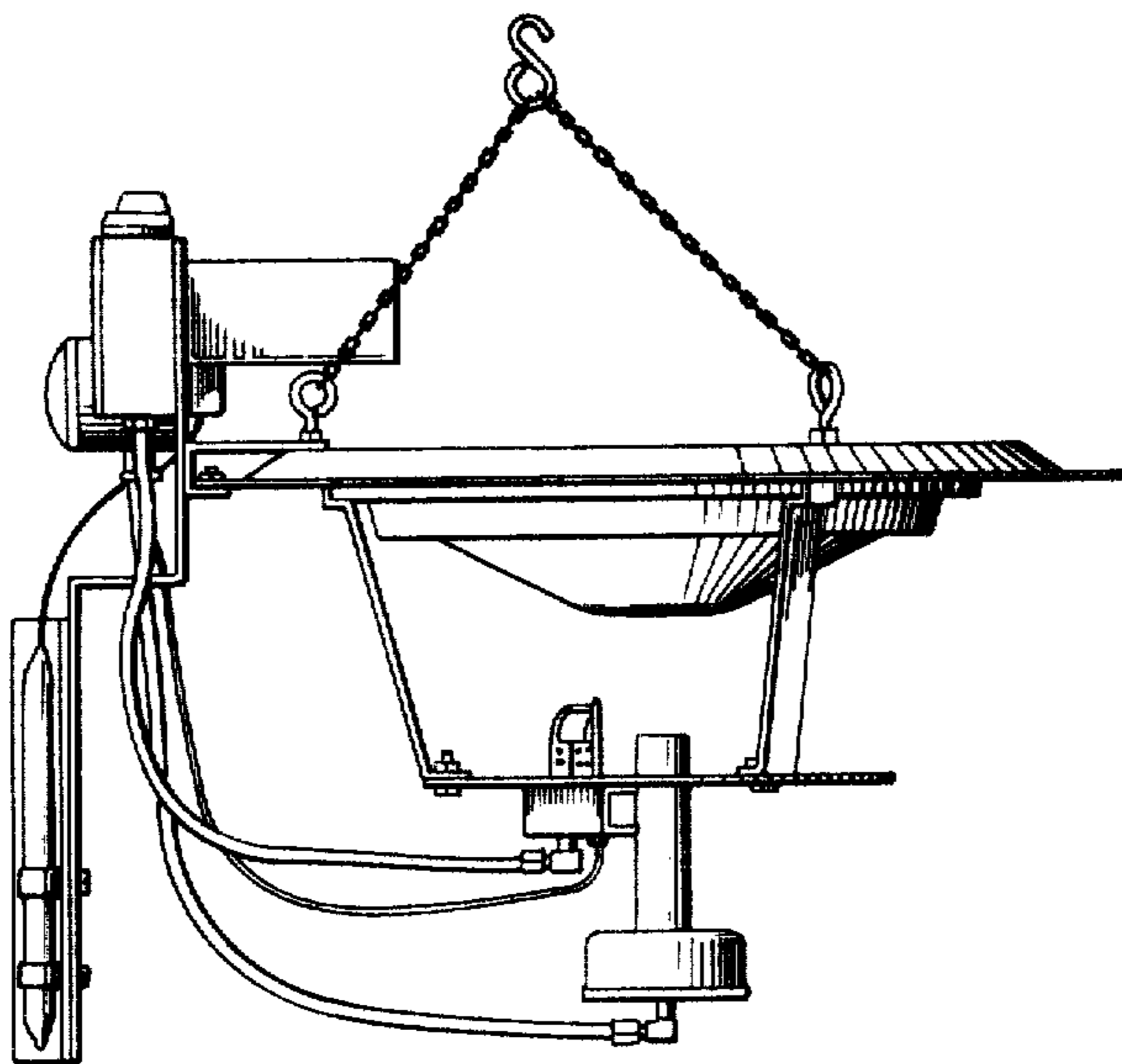
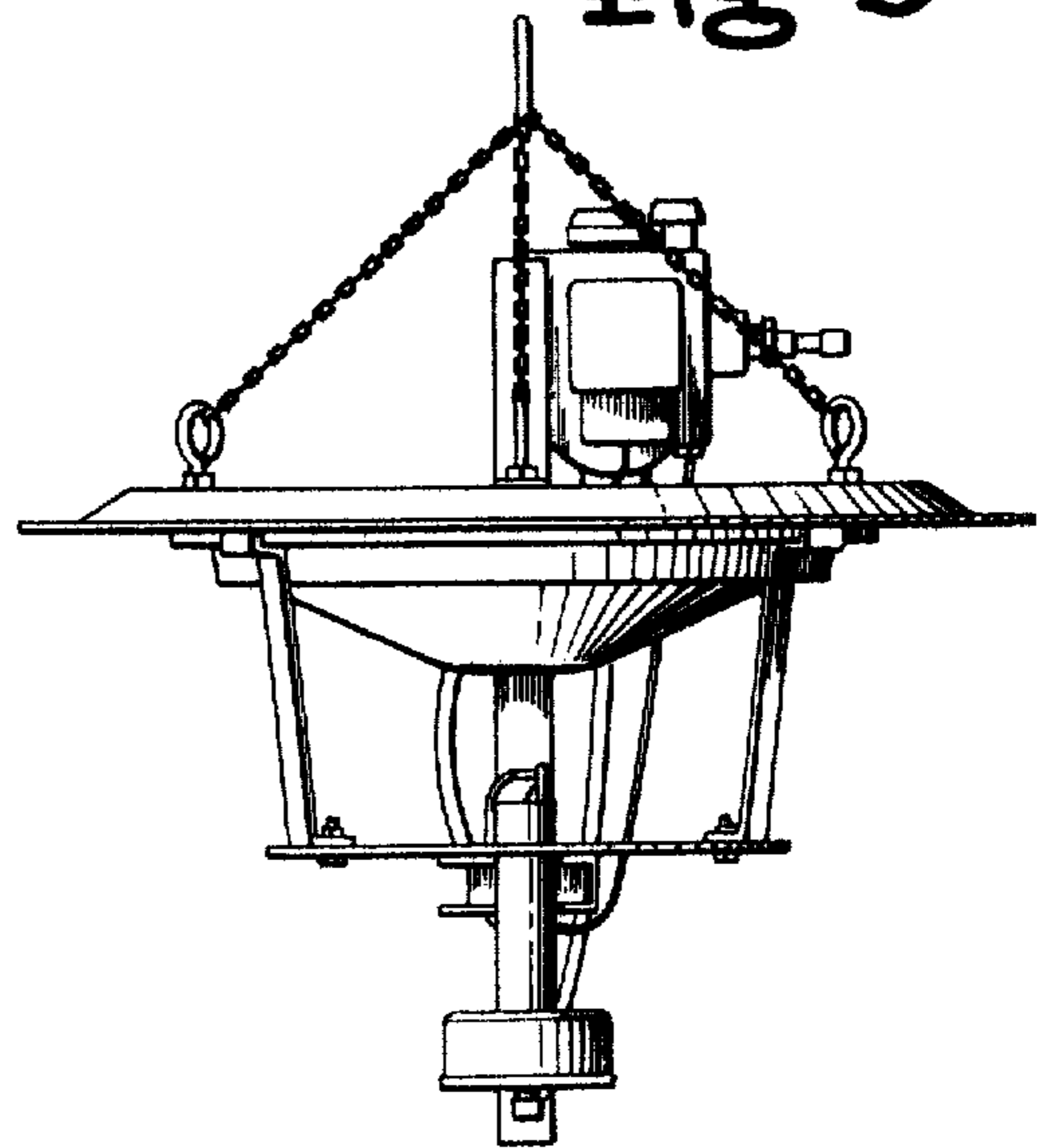


Fig-3



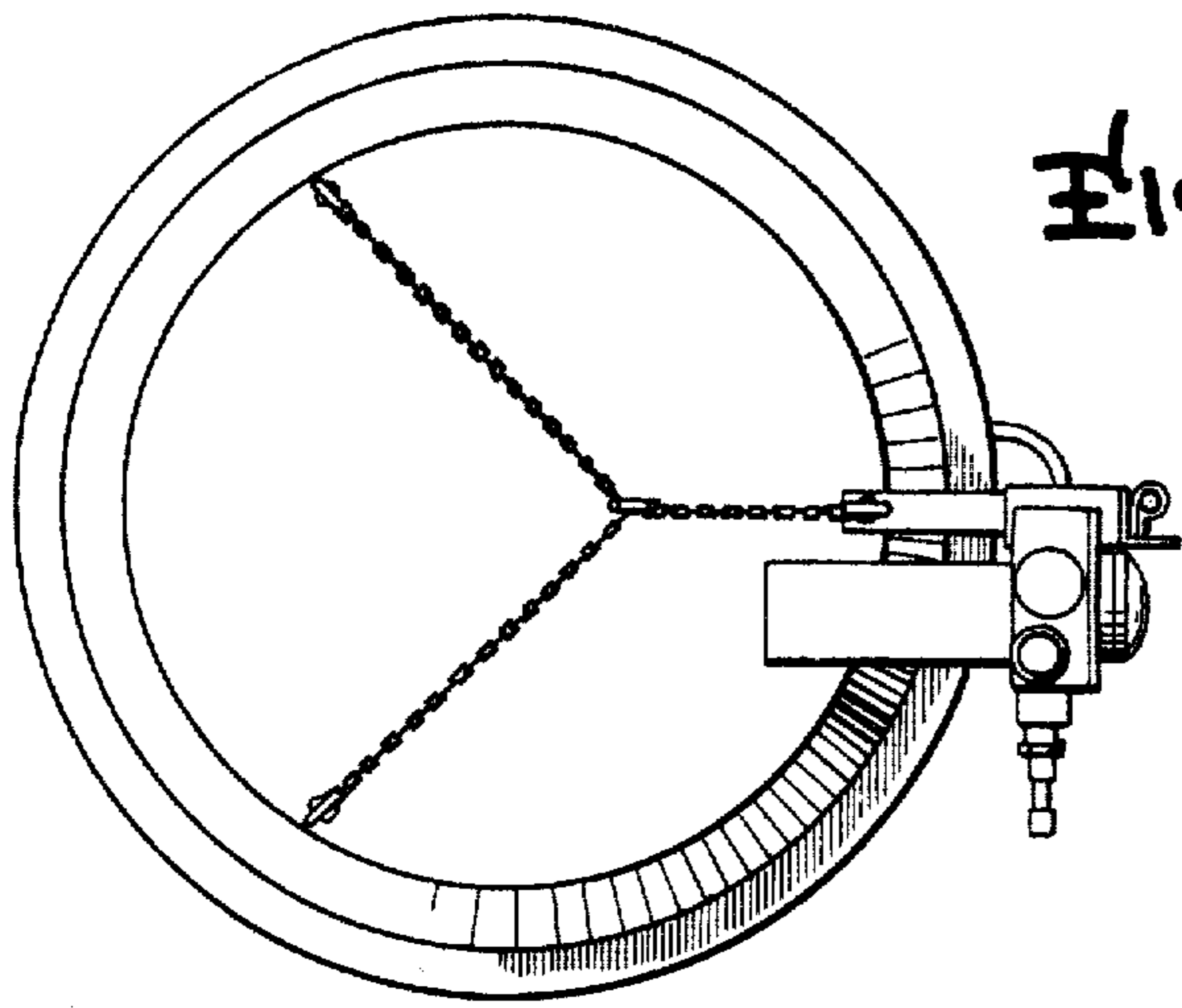


Fig-6

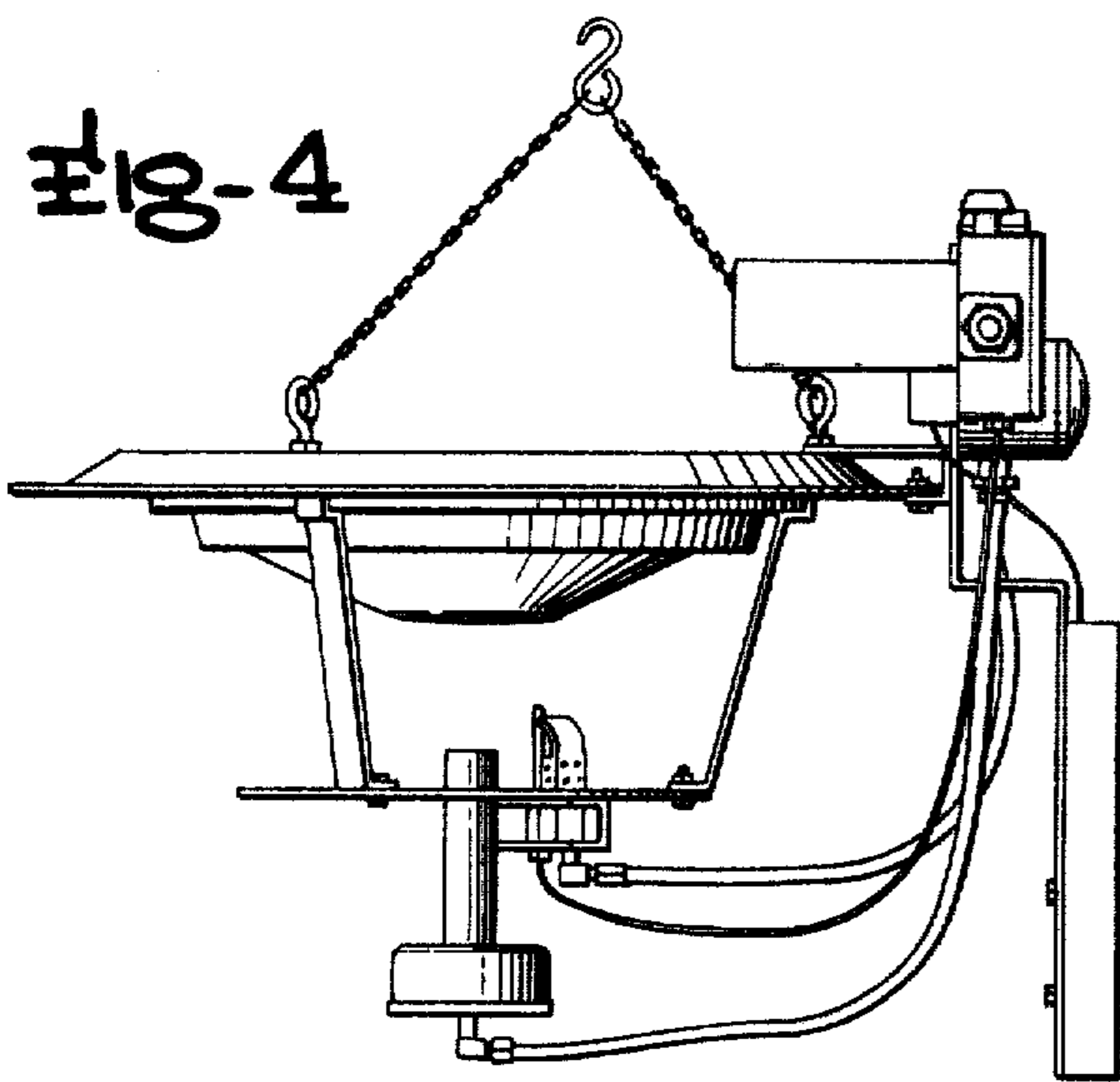


Fig-4

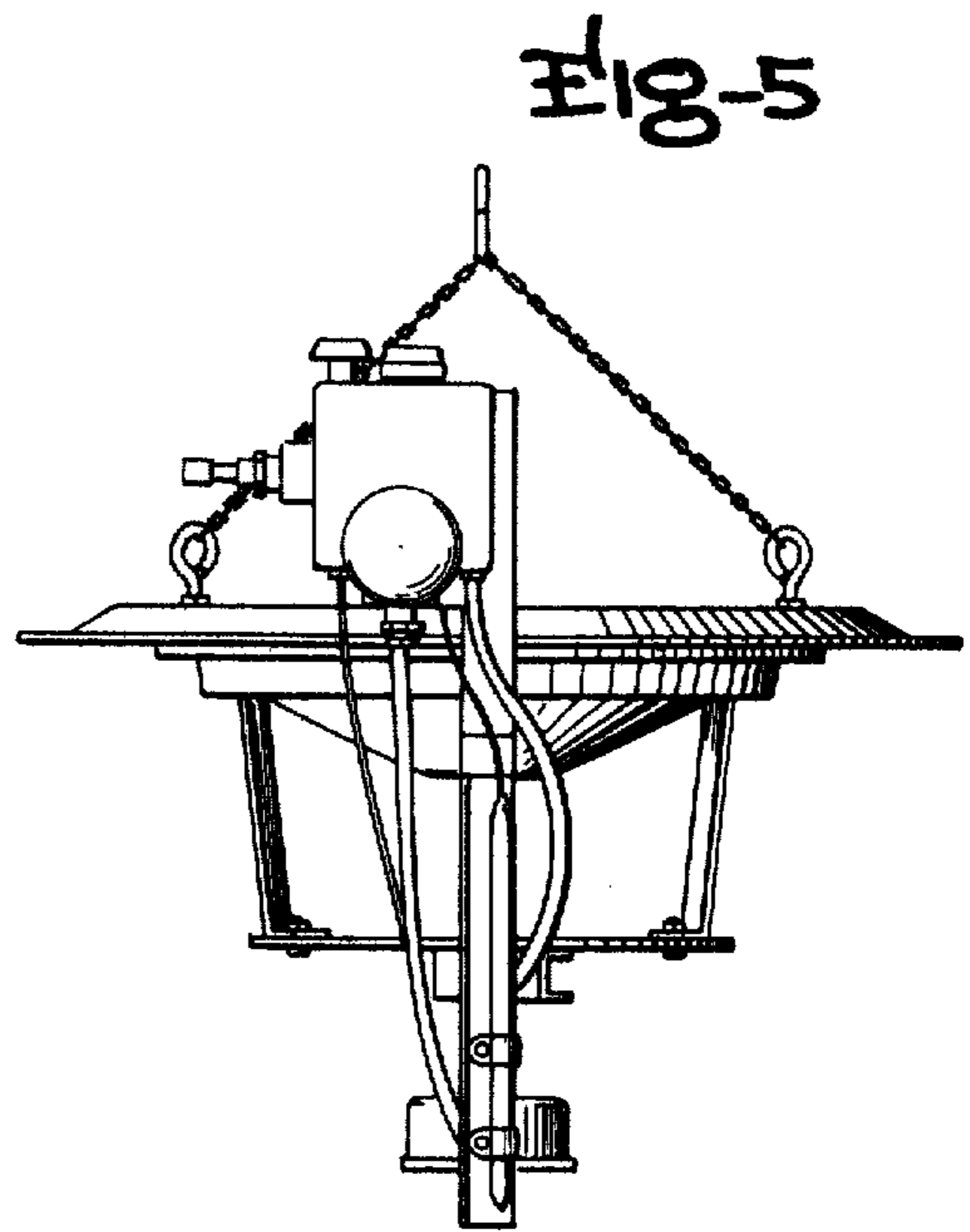


Fig-5

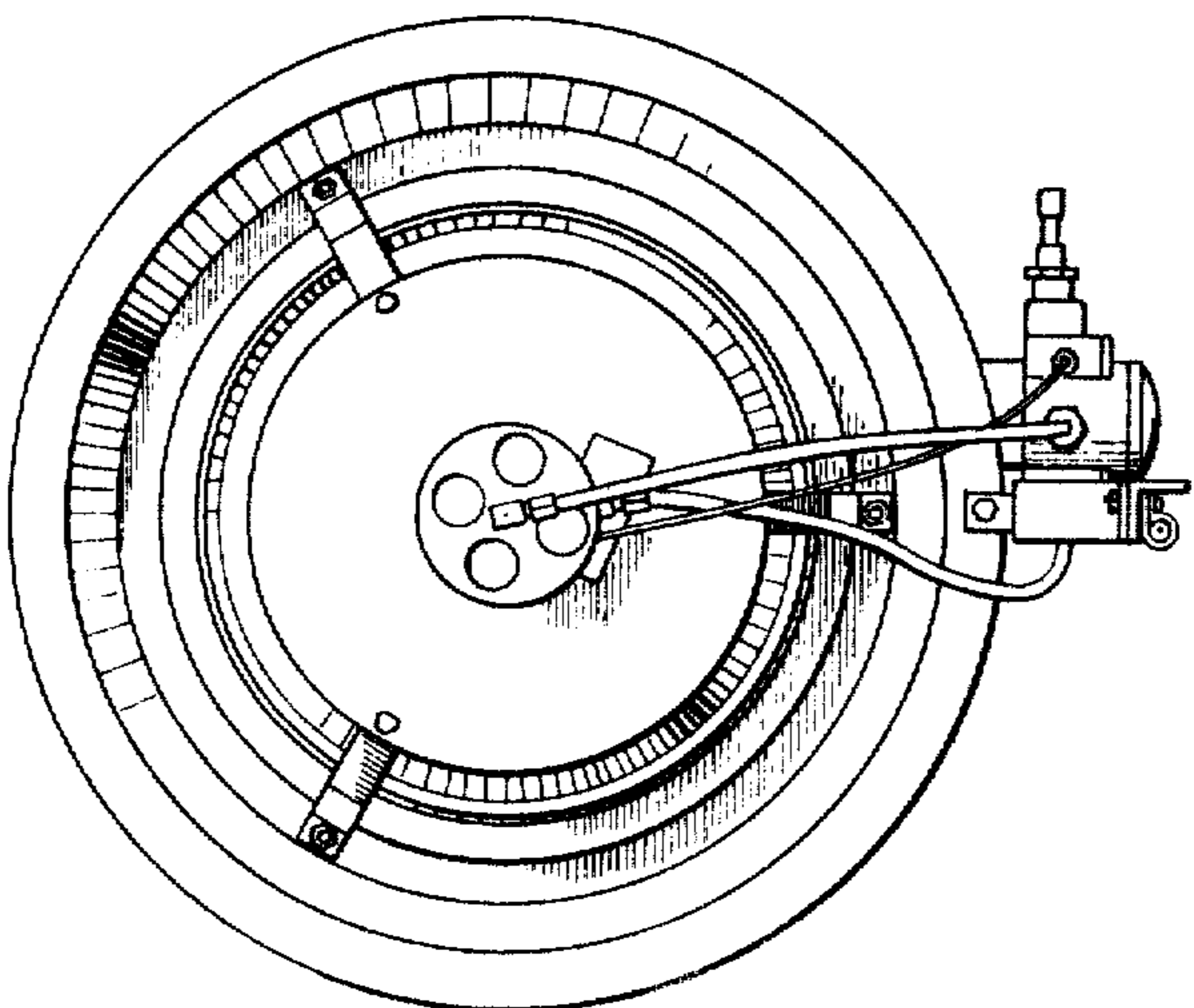


Fig-7