

[54] LIQUID SPRAYER

[76] Inventor: Tit-Wing Poon, 12F Lam Uk Village, Chaiwan, Hong Kong

[**] Term: 14 Years

[21] Appl. No.: 290,639

[22] Filed: Aug. 6, 1981

[30] Foreign Application Priority Data

Apr. 27, 1981 [GB] United Kingdom 811 000 155

[51] Int. Cl. D23-01

[52] U.S. Cl. D23/18

[58] Field of Search D23/17, 18; 239/332, 239/333, 587

[56] References Cited

U.S. PATENT DOCUMENTS

- D. 147,226 8/1947 Brandt D23/18
- D. 196,198 9/1963 Corning et al. D23/18

- D. 236,830 9/1975 Bochmann et al. D23/18
- D. 254,321 2/1980 Sidor et al. D23/18
- 2,162,057 6/1939 Brandt et al. 239/333 X
- 3,901,449 8/1975 Brochmann 239/332
- 3,904,116 9/1975 Jones et al. 239/332

FOREIGN PATENT DOCUMENTS

- 1494317 7/1966 France 239/332
- 53-72217 6/1978 Japan 239/332

Primary Examiner—James R. Largen
Attorney, Agent, or Firm—Townsend and Townsend

[57] CLAIM

The ornamental design for a liquid sprayer, as shown.

DESCRIPTION

FIG. 1 is a perspective view taken from the top, front and left side of a liquid sprayer showing my new design; FIG. 2 is a rear elevational view thereof; FIG. 3 is a right side elevational view thereof; and FIG. 4 is a bottom plan view thereof.

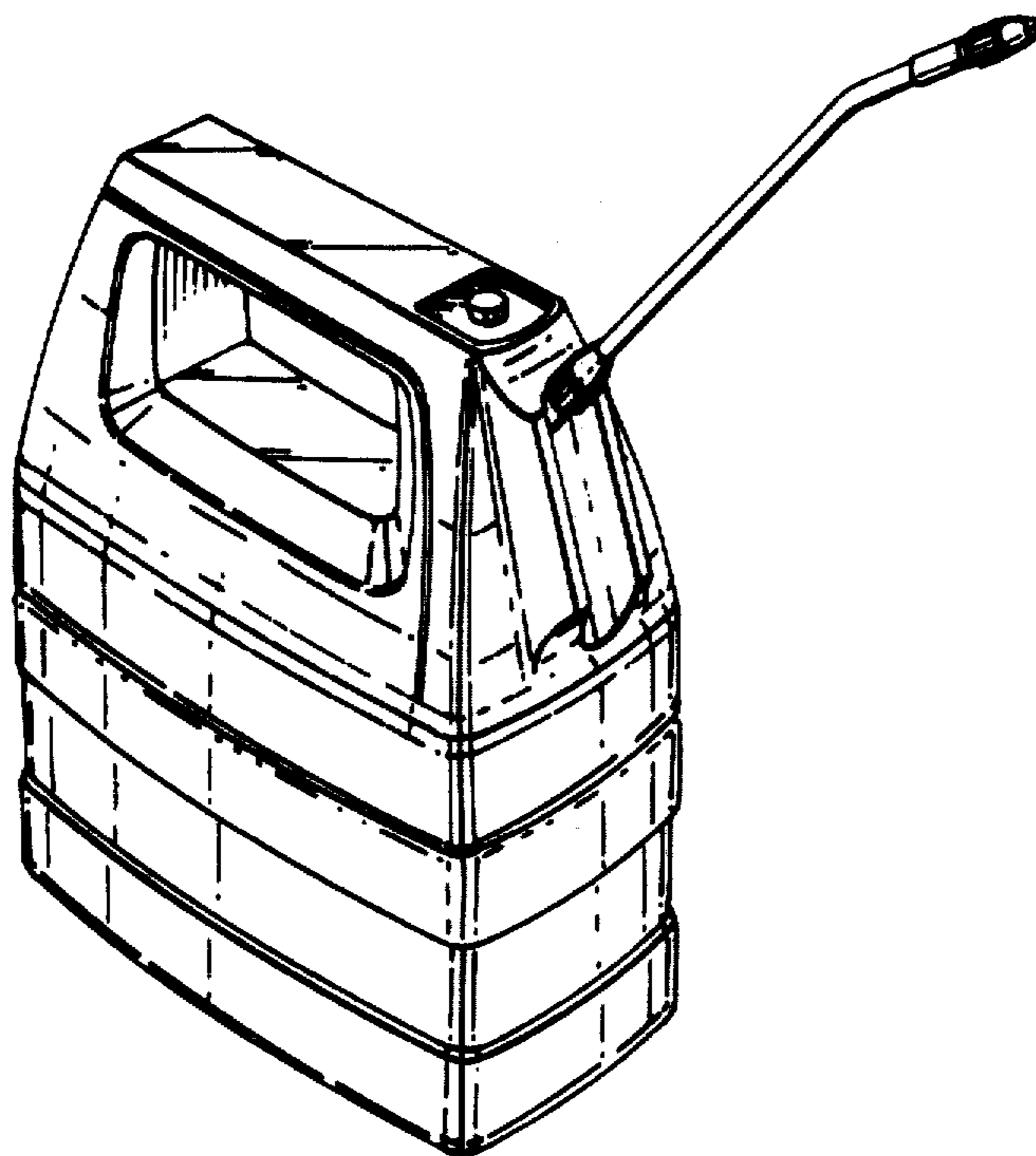


FIG. 1.

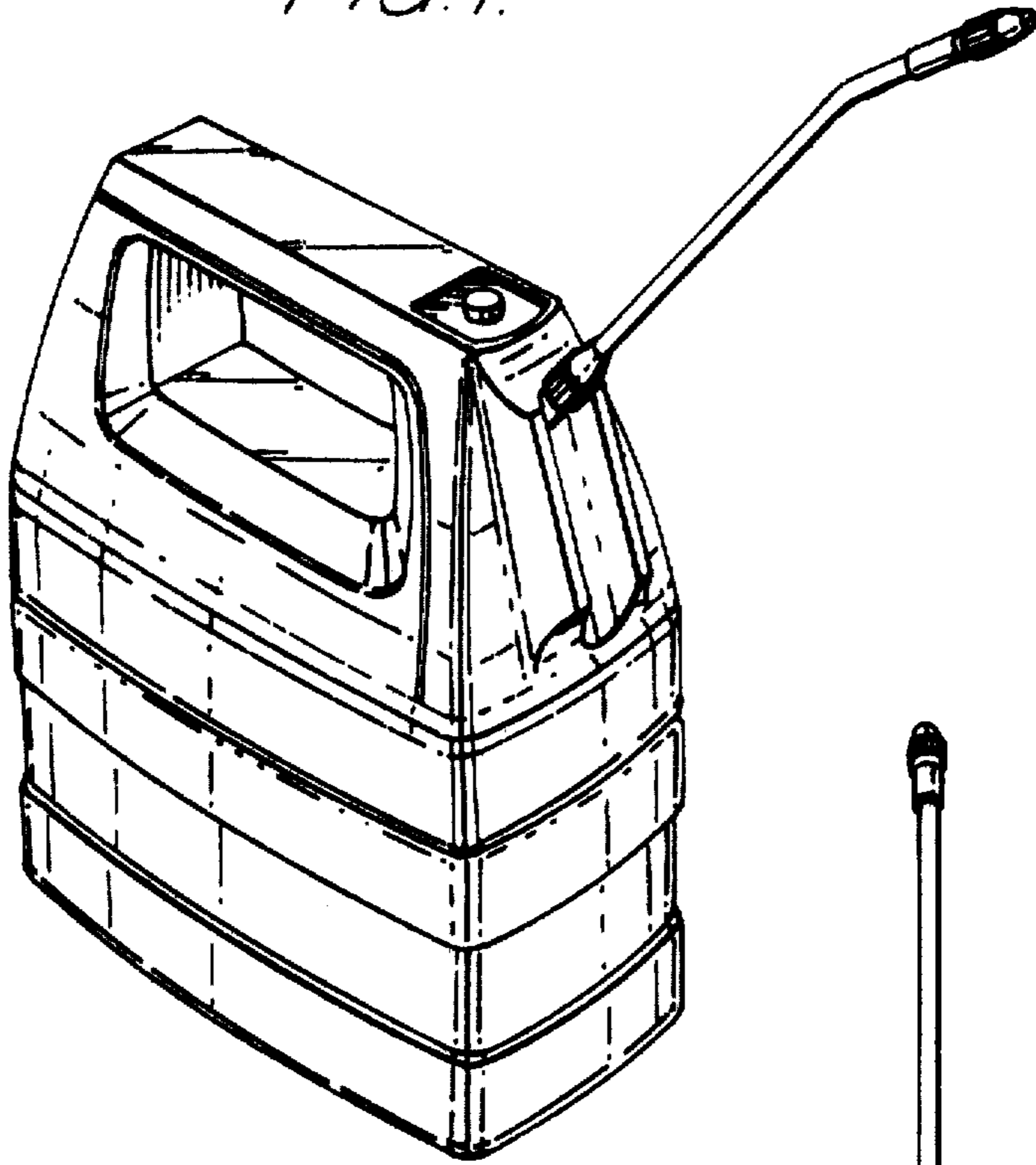


FIG. 2.

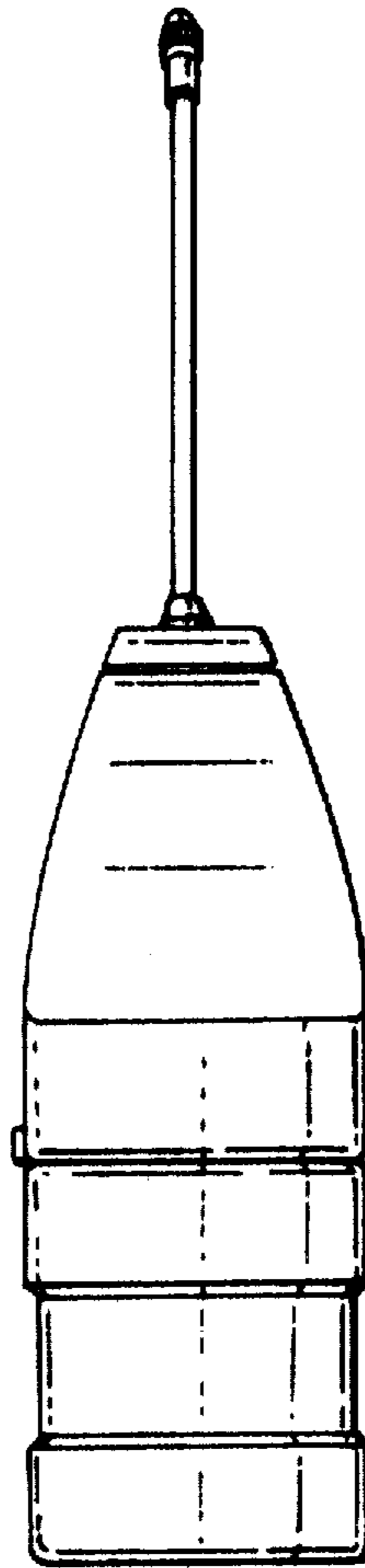


FIG. 3.

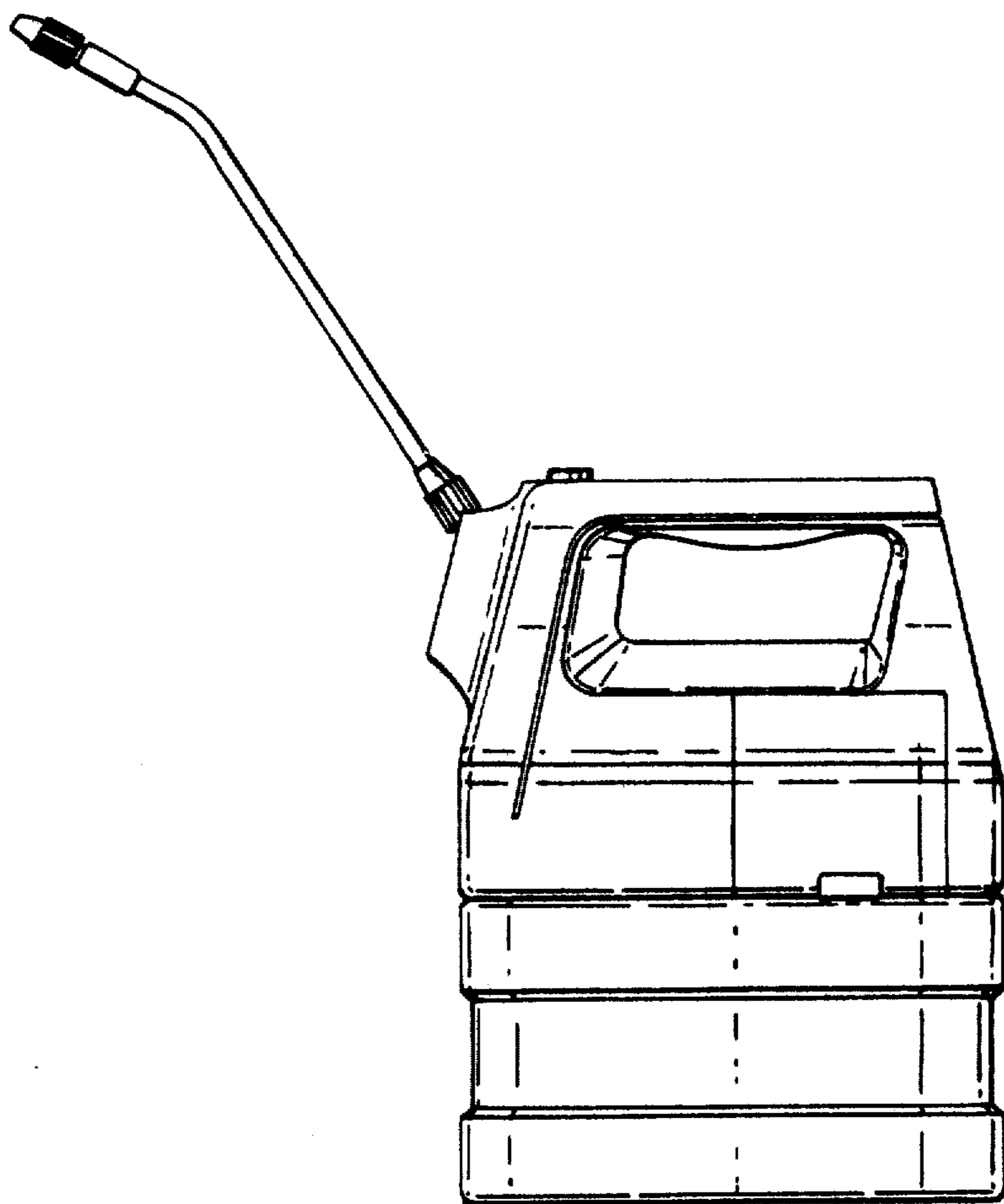


FIG. 4.

