

[54] EXERCISE MACHINE

2,278,591 4/1942 Sak 272/72

[76] Inventors: Ian J. Cunnington, 5 Paddock End, Grouville, Jersey, Channel Islands; Paul N. Rainey, 47 Fairfield Rd., Kingston upon Thames, England

FOREIGN PATENT DOCUMENTS

390424 4/1933 United Kingdom 272/72
419982 11/1934 United Kingdom 272/72
1604931 12/1981 United Kingdom 272/72

[**] Term: 14 Years

Primary Examiner—Charles A. Rademaker
Attorney, Agent, or Firm—Brumbaugh, Graves,
Donohue & Raymond

[21] Appl. No.: 254,538

[22] Filed: Apr. 15, 1981

[57] CLAIM

[30] Foreign Application Priority Data

The ornamental design for an exercise machine, as shown and described.

Oct. 20, 1980 [GB] United Kingdom 80997154

DESCRIPTION

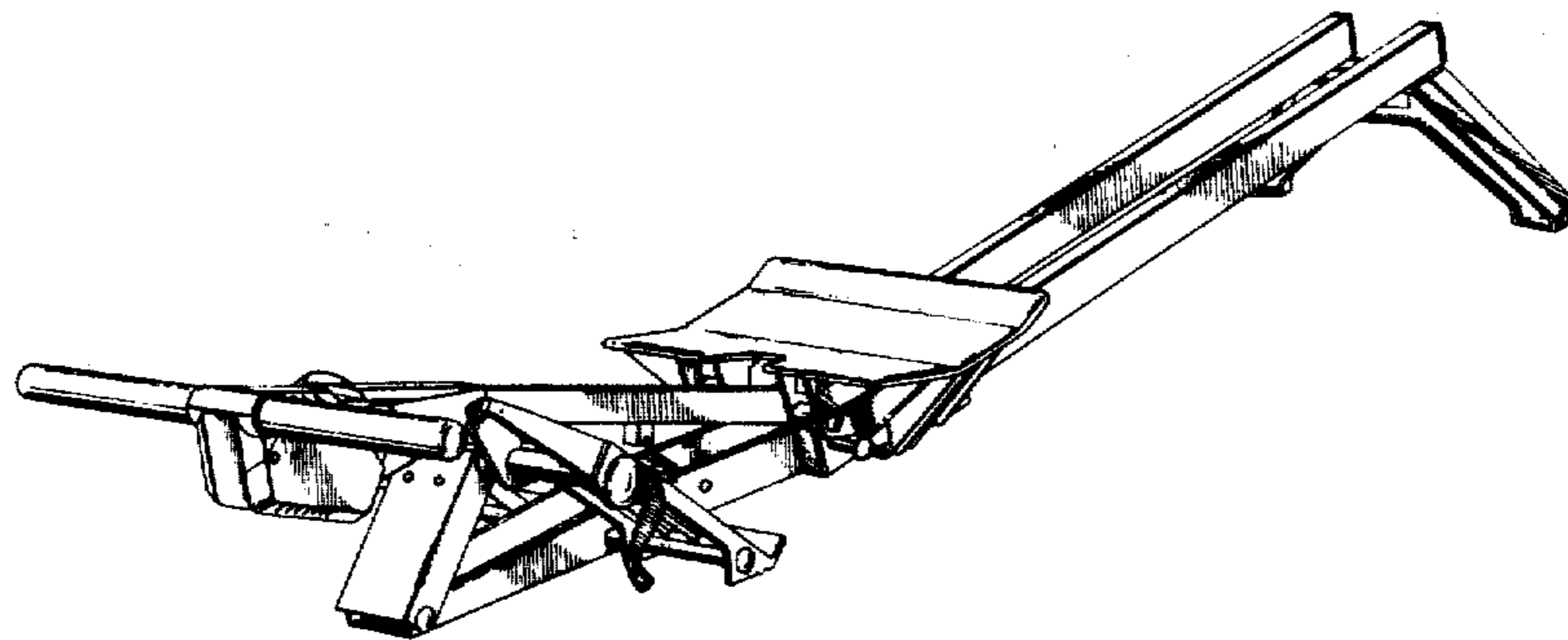
[51] Int. Cl. D21-02
[52] U.S. Cl. D21/72
[58] Field of Search D21/191-199;
272/72, 130, 134, 137, 140, 145

FIG. 1 is a front perspective view of an exercise machine showing our new design;
FIG. 2 is a rear perspective view thereof;
FIG. 3 is a side elevational view thereof;
FIG. 4 is another rear perspective view thereof showing the design in an alternate condition;
FIG. 5 is a top plan view thereof; and,
FIG. 6 is a perspective view thereof showing the design in a folded condition.

[56] References Cited

U.S. PATENT DOCUMENTS

D. 265,110 6/1982 Lafont D21/195
1,994,593 3/1935 Schmidt 272/72



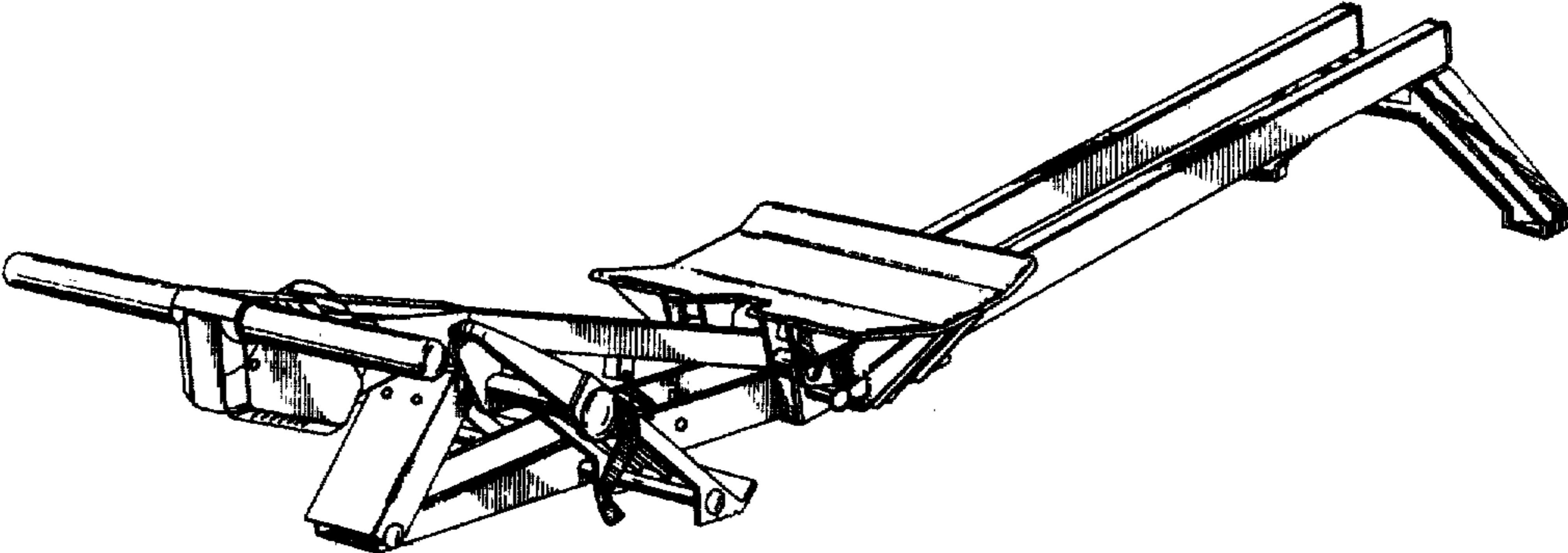


FIG. 1.

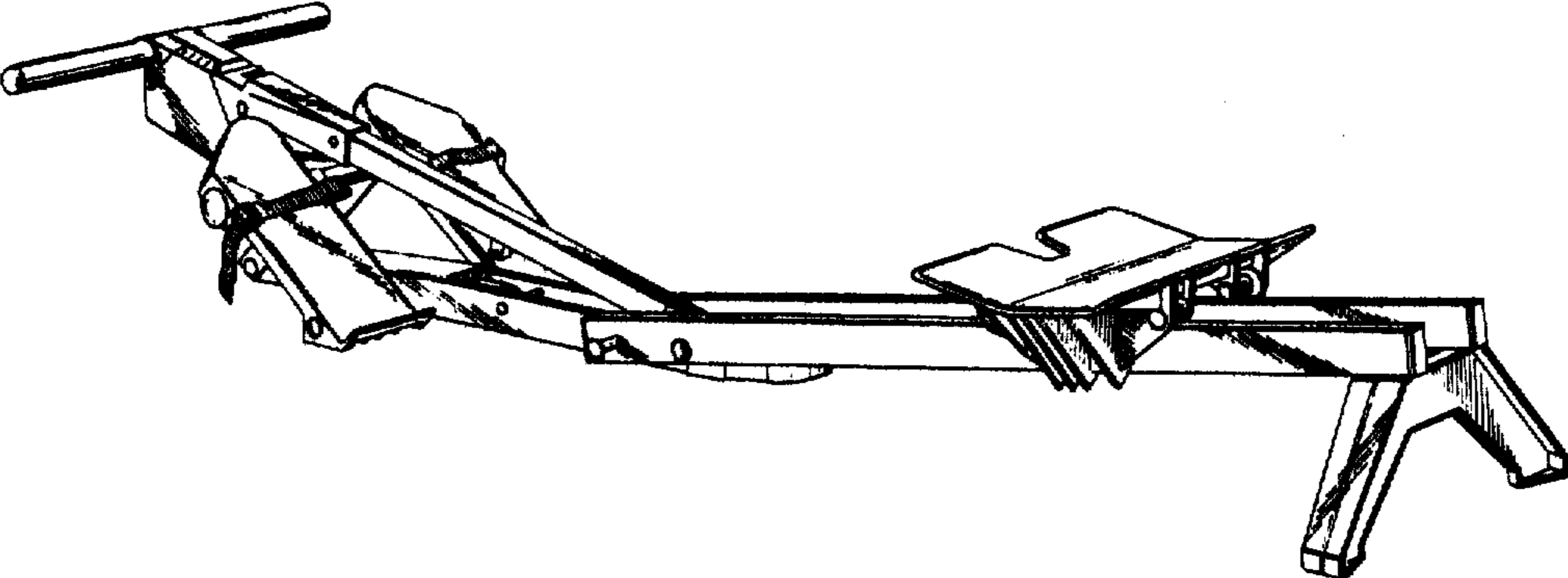


FIG. 2.

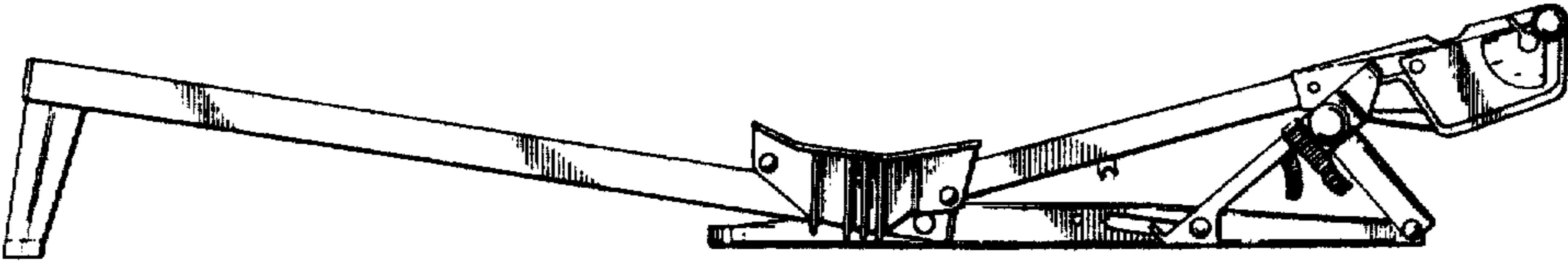


FIG. 3.

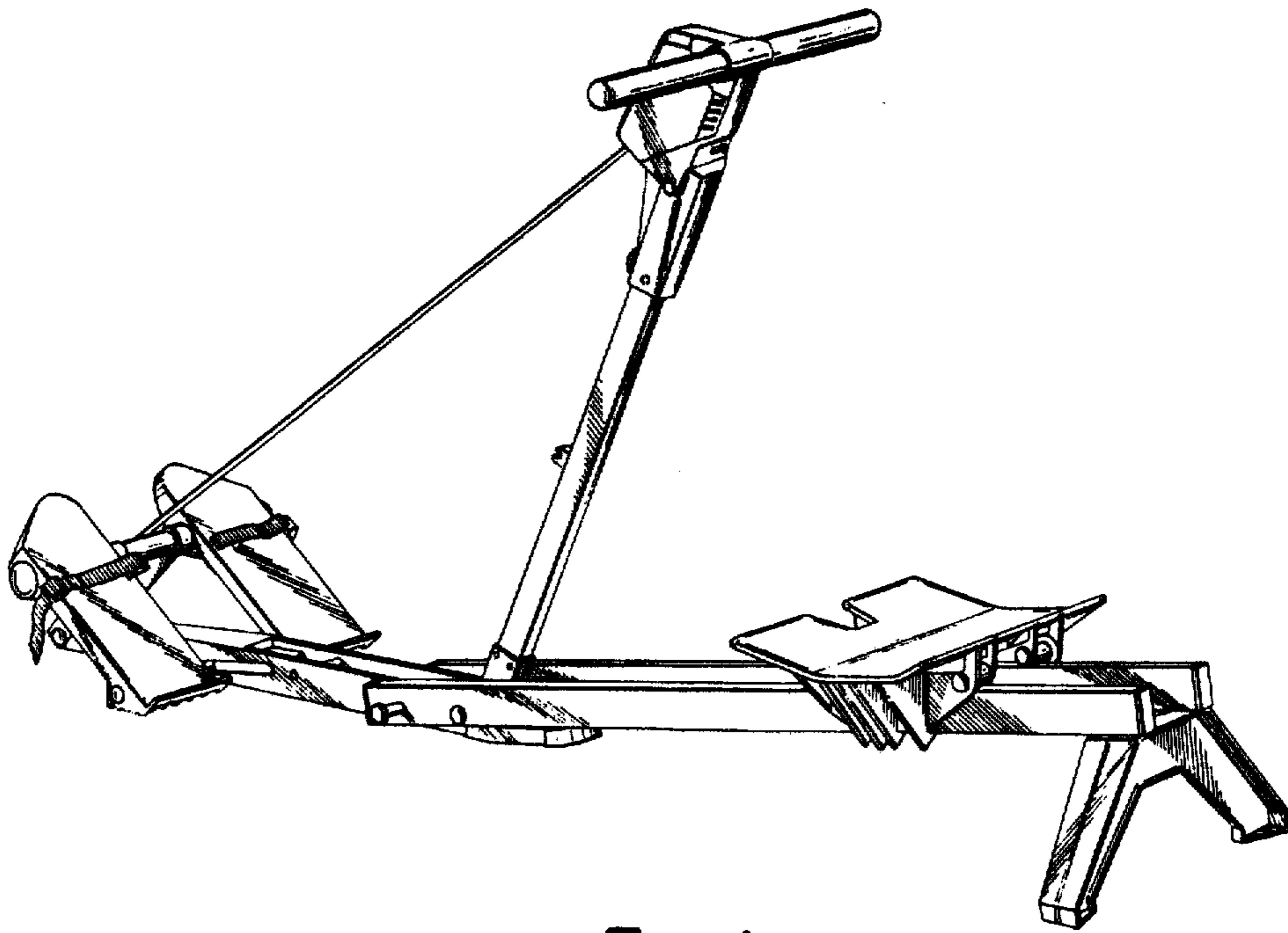


FIG. 4.

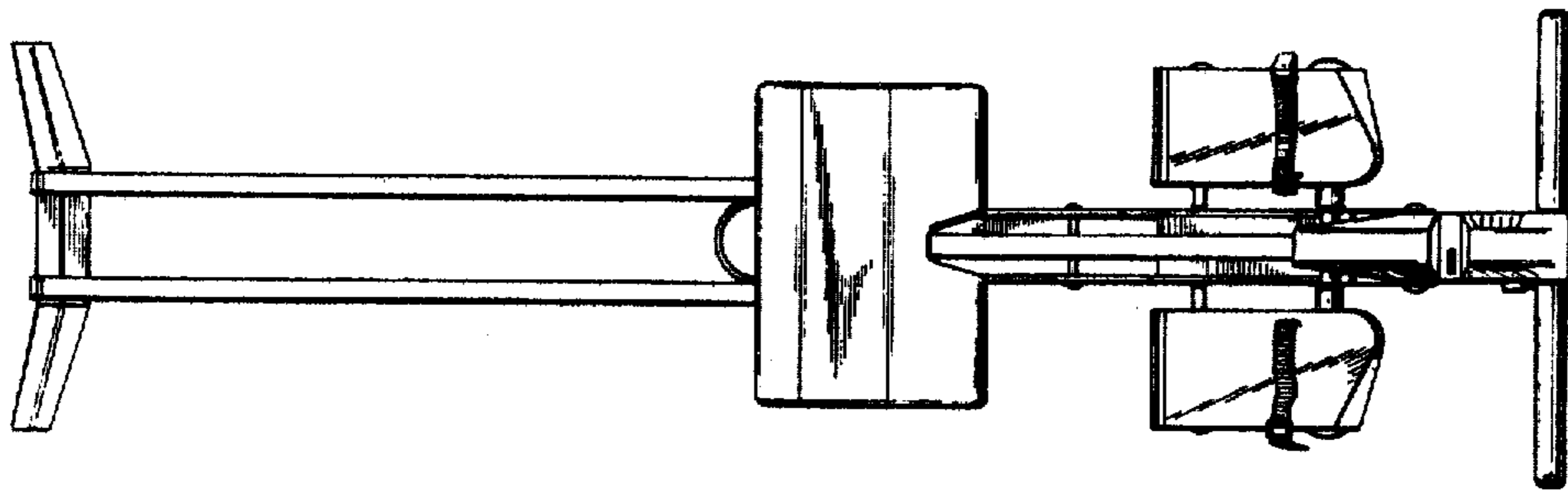


FIG. 5.

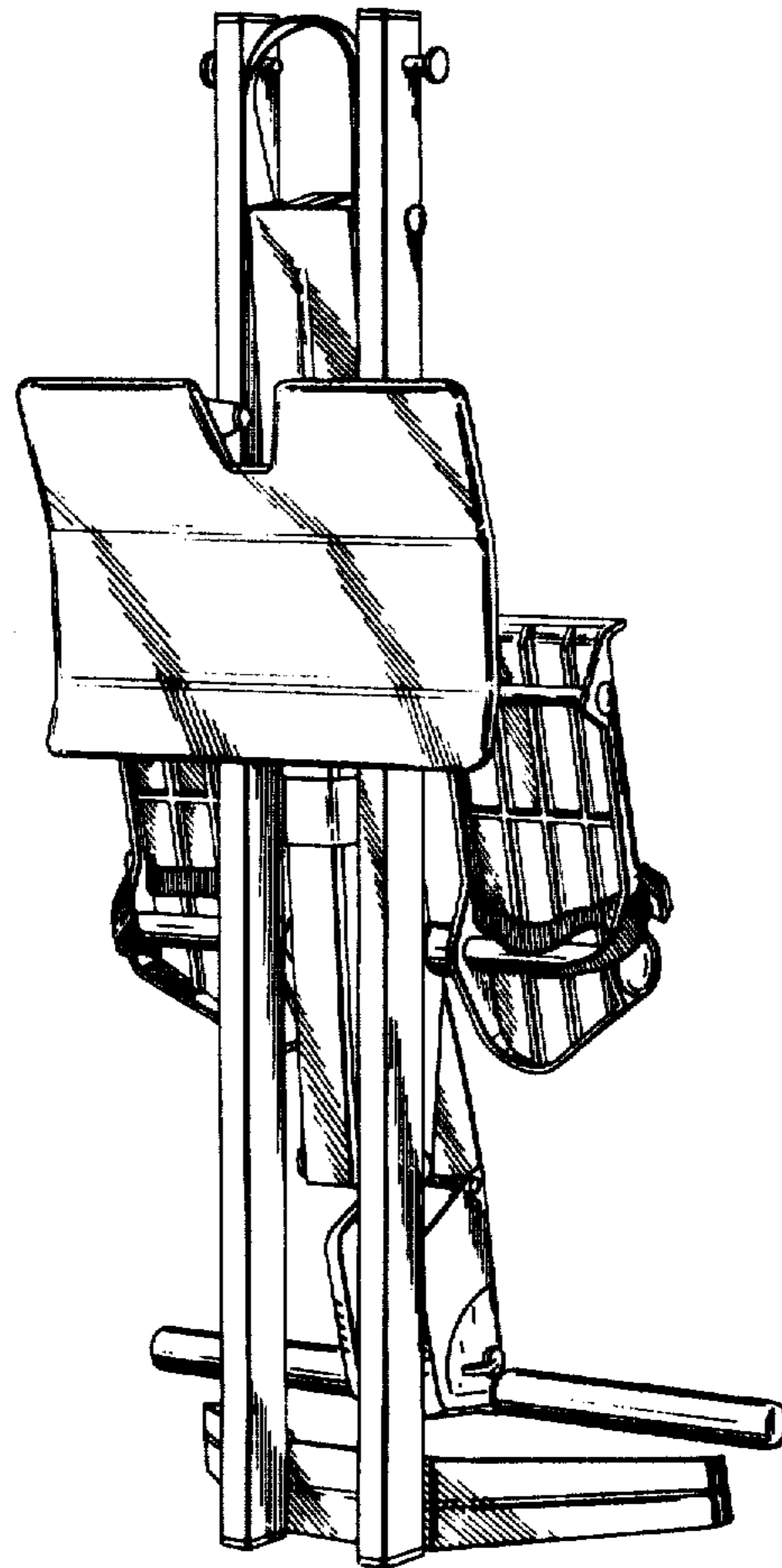


FIG. 6.