

[54] LUGGAGE TAG OR SIMILAR ARTICLE

[75] Inventor: Jacques Fontaine, Paris, France
[73] Assignee: Societe a Responsabilite Limitee Dite: Translabel
[**] Term: 14 Years
[21] Appl. No.: 358,280
[22] Filed: Mar. 15, 1982

[51] Int. Cl. D20-99
[52] U.S. Cl. D20/27; D19/10
[58] Field of Search D19/112, 10; D20/22-28; D30/43; 40/1.5, 6, 10 R, 10 A, 10 B, 10 D, 21 R, 21 C, 20 R; 283/80-81

[56] References Cited
U.S. PATENT DOCUMENTS
D. 234,473 3/1975 Ringle D20/22

FOREIGN PATENT DOCUMENTS

489282 1/1919 France 40/6
204498 7/1939 Switzerland D30/43
1527263 10/1978 United Kingdom 40/6

Primary Examiner—George P. Word
Attorney, Agent, or Firm—Fleit, Jacobson, Cohn & Price

[57] CLAIM

The ornamental design for a luggage tag or similar article, as shown and described.

DESCRIPTION

FIG. 1 is a front elevational view of a luggage tag or similar article showing my new design;
FIG. 2 is a rear elevational view thereof;
FIG. 3 is a left side elevational view of FIG. 2, the right side being a mirror image thereof;
FIG. 4 is a top plan view thereof; and
FIG. 5 is a bottom plan view thereof.

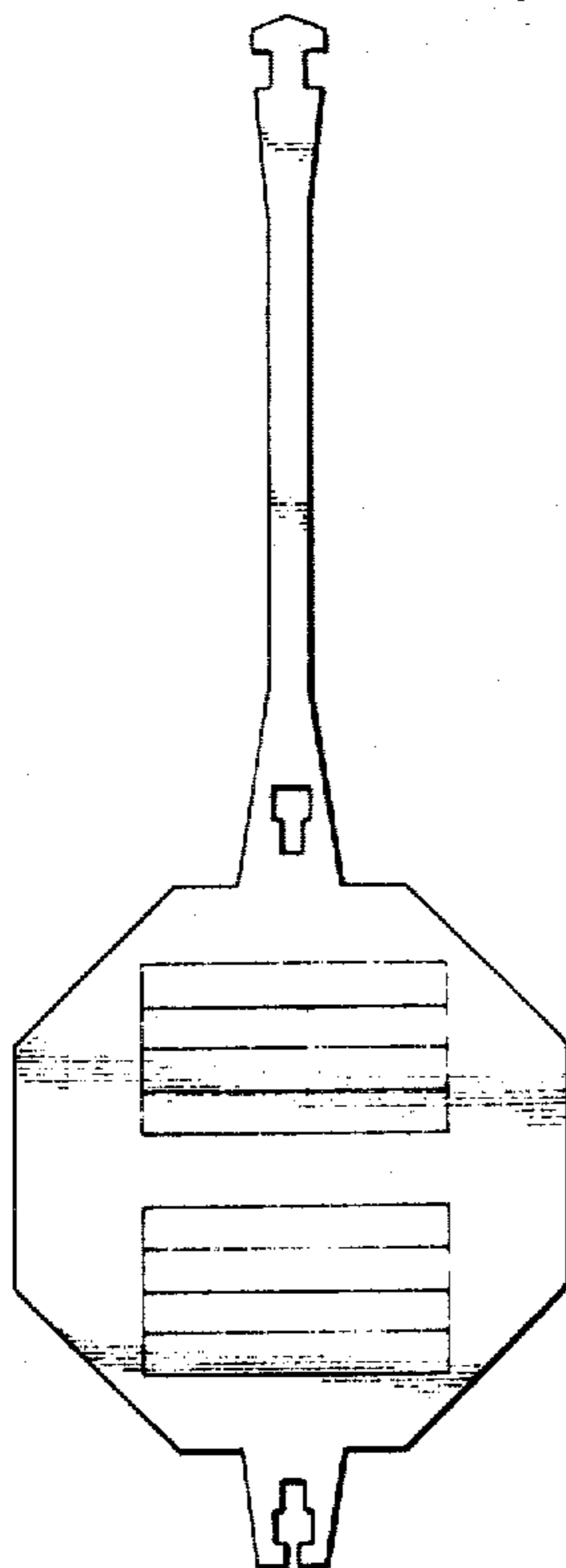




FIG. 4

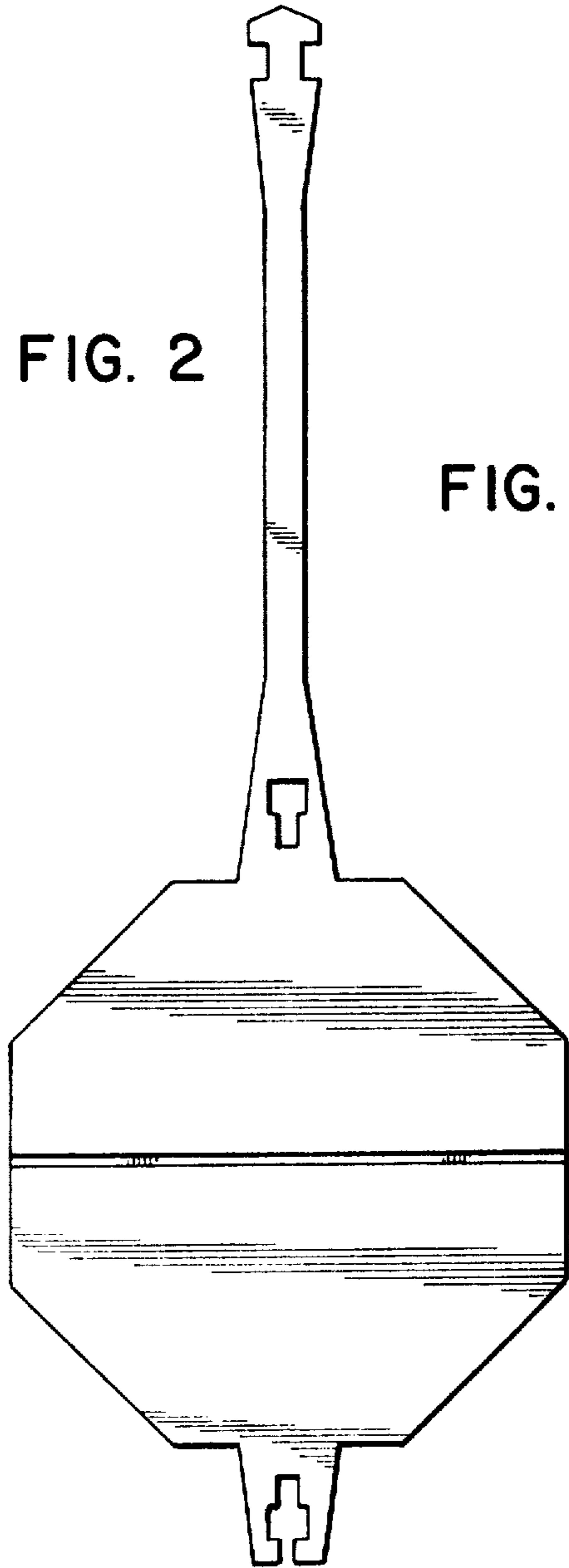


FIG. 2

FIG. 3

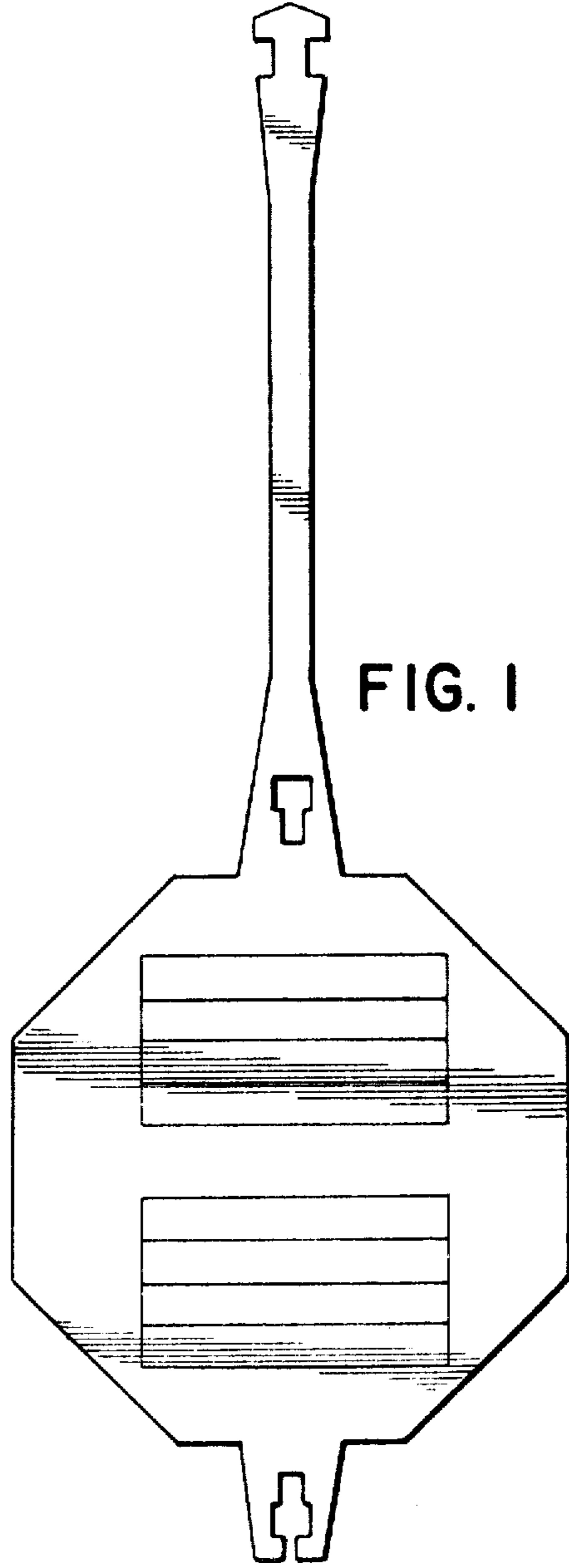


FIG. 1



FIG. 5