

[54] **BINOCULAR**

[75] Inventors: **Alfred Hengst, Lahnau; Heinrich Janke, Braunfels; Hans-Kurt Uellenberg, Edingen; Heinz Keiner, Solms, all of Fed. Rep. of Germany**

[73] Assignee: **Ernst Leitz Wetzlar GmbH, Wetzlar, Fed. Rep. of Germany**

[**] Term: **14 Years**

[21] Appl. No.: **305,709**

[22] Filed: **Sep. 25, 1981**

[30] **Foreign Application Priority Data**

Apr. 10, 1981 [DE] Fed. Rep. of Germany ... 5 MR 222

[51] Int. Cl. **D16-06**

[52] U.S. Cl. **D16/133**

[58] Field of Search **D16/133; 350/554; D8/82, 83, 84, 86, 85; D21/222**

[56] **References Cited**

U.S. PATENT DOCUMENTS

Re. 30,665	7/1981	Altenheiner et al.	350/554
D. 91,875	4/1934	Haas	D8/83
D. 160,706	10/1950	Hettrick	D8/87
D. 240,332	6/1976	Altenheiner	D16/133
D. 242,917	1/1977	Masuyama et al.	D16/133
D. 255,364	6/1980	Lange	D16/133
2,736,792	2/1956	Freeland	D8/87
3,236,275	2/1966	Smith	D8/86
3,604,779	9/1971	Reinhold	D16/133
4,087,153	2/1978	Hengst	350/554
4,186,992	2/1980	Kamakura	350/554

OTHER PUBLICATIONS

Edmund Scientific Co. Fall Catalog 1977, No. 781

©1977, pp. 82, 83, Zeiss Binoculars (C) top p. 82; items (D) (E) (F) p. 83.

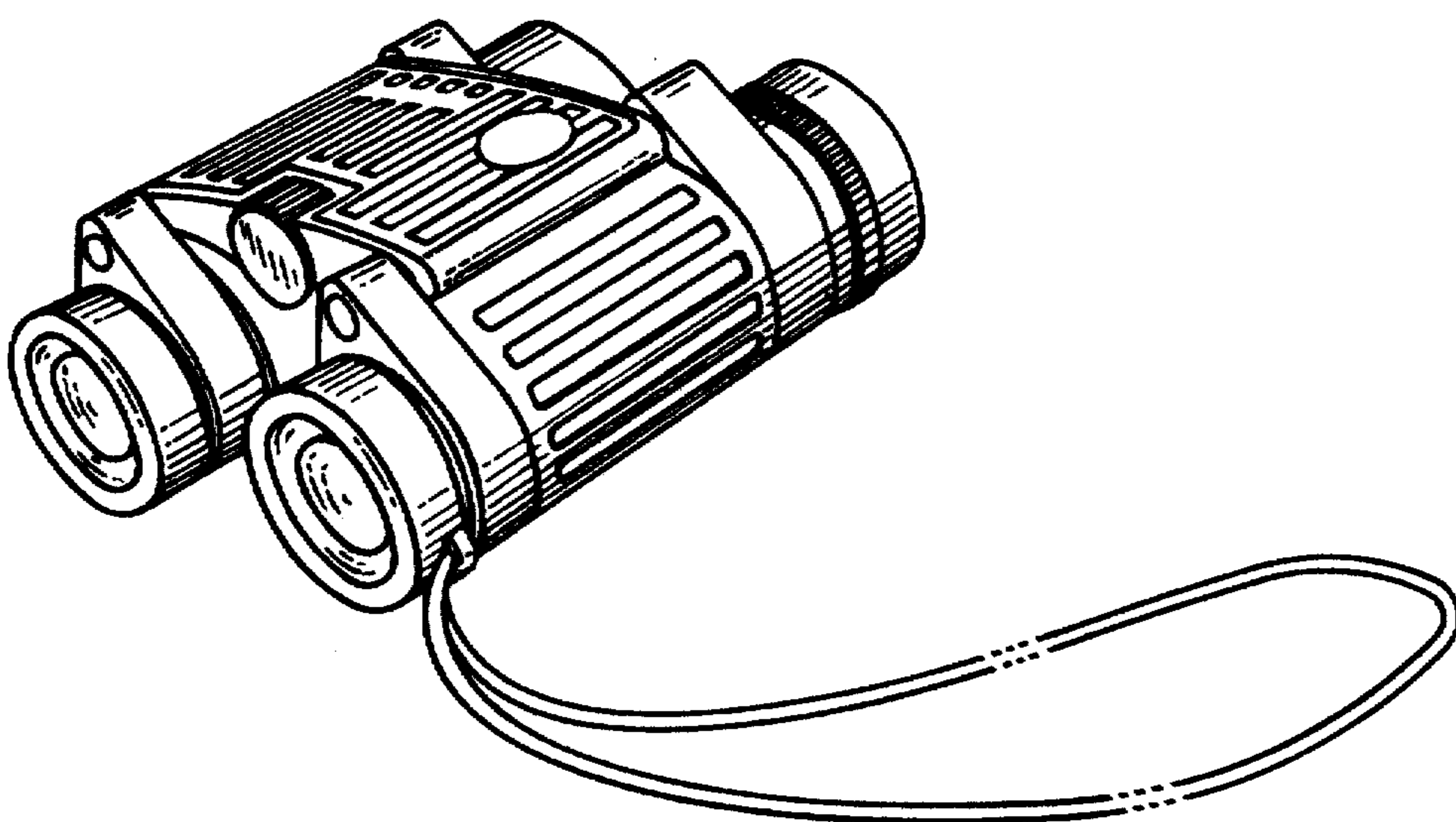
Primary Examiner—Wallace R. Burke
Assistant Examiner—Horace B. Fay, Jr.
Attorney, Agent, or Firm—Wells & Wells

[57] **CLAIM**

The ornamental design for a binocular, as shown and described.

DESCRIPTION

FIG. 1 is a top front perspective view of a binocular showing our new design;
FIG. 2 is a front elevational view thereof with the binocular in fully opened position;
FIG. 3 is a rear elevational view thereof with the binocular in folded position and one ocular cylinder extended;
FIG. 4 is a left side elevational view thereof;
FIG. 5 is a right side elevational view thereof;
FIG. 6 is a top view of the binocular as fully open in FIG. 2;
FIG. 7 is a bottom view of the binocular as fully open in FIG. 2;
FIG. 8 is a top front perspective view of a second embodiment of a binocular showing our new design;
FIG. 9 is a front elevational view thereof with the binocular in fully opened position;
FIG. 10 is a rear elevational view thereof with the binocular in folded position and one ocular cylinder extended;
FIG. 11 is a left side elevational view thereof;
FIG. 12 is a right side elevational view thereof;
FIG. 13 is a top view thereof;
FIG. 14 is a bottom view thereof.
The broken line section of the binocular cord shown in FIG. 1 is intended to signify a cord of indeterminate length.



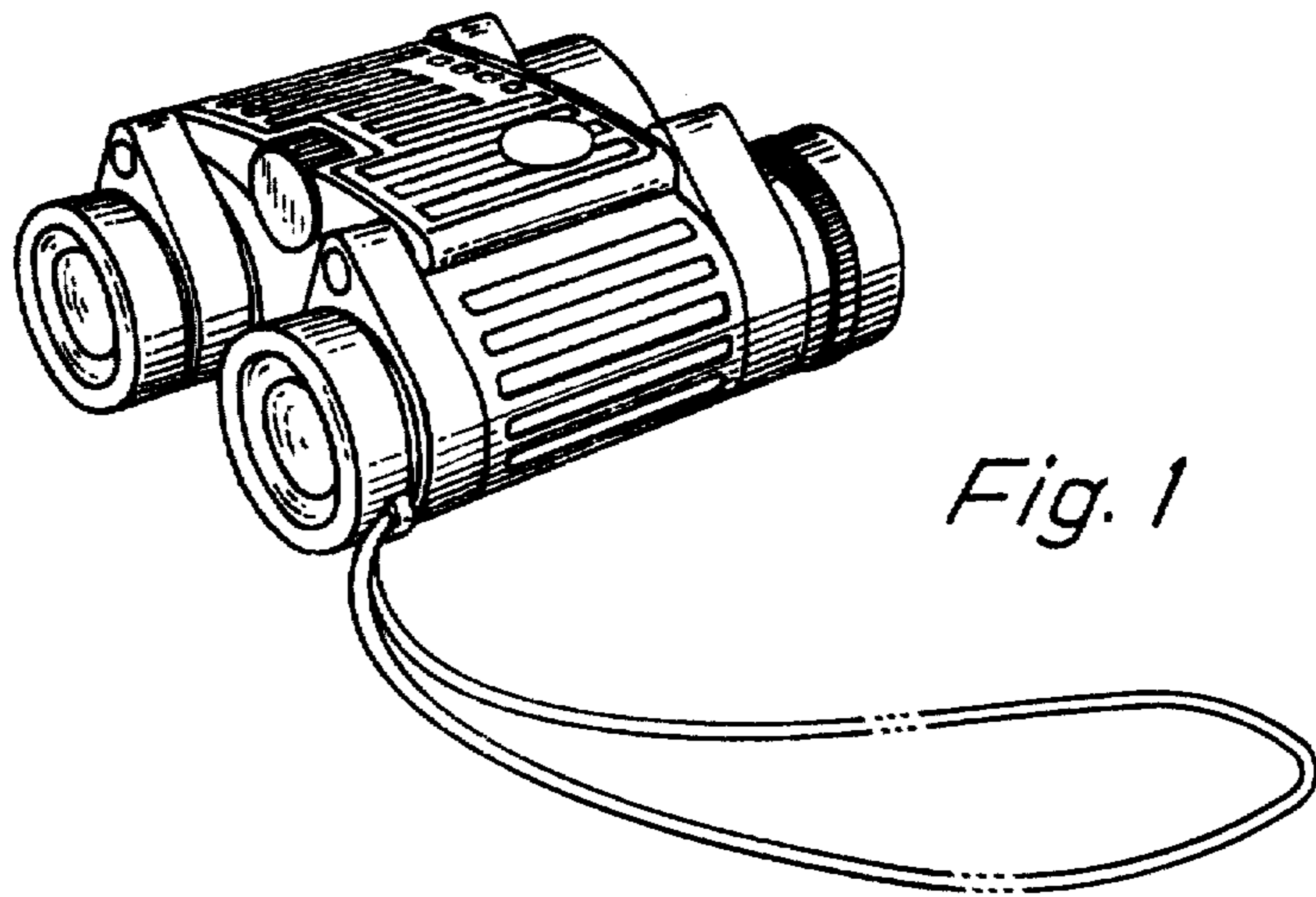


Fig. 1

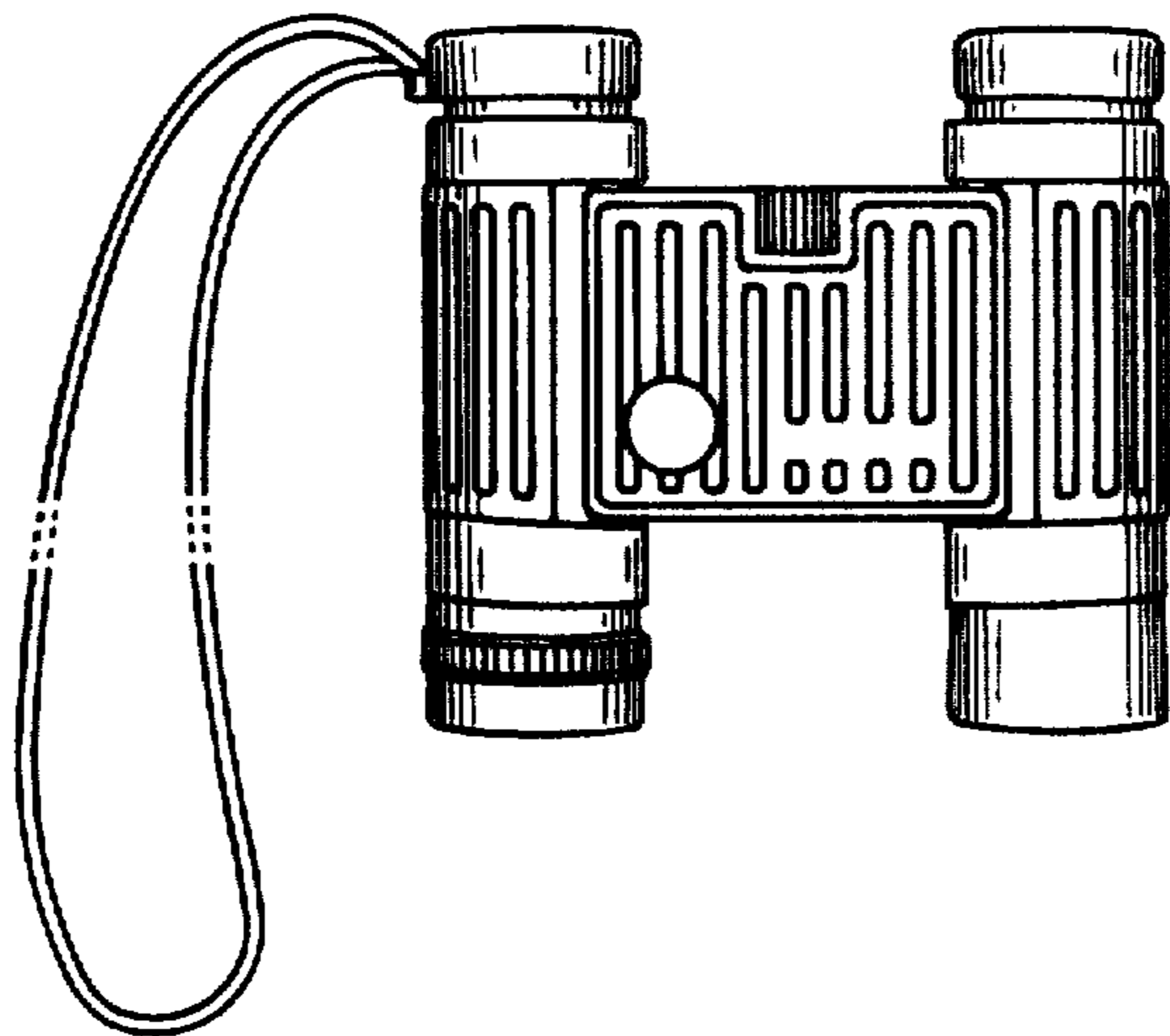


Fig. 2

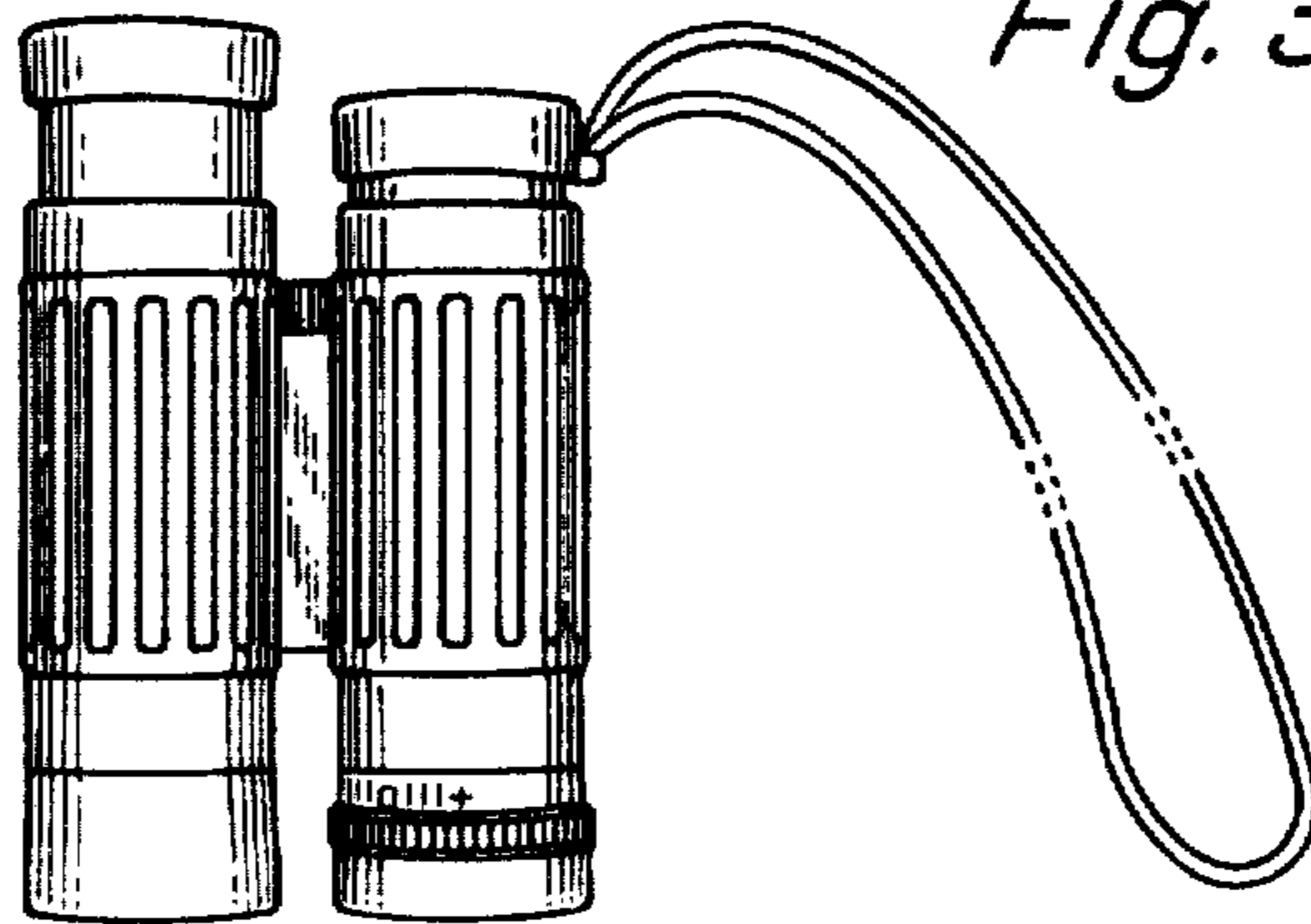


Fig. 3

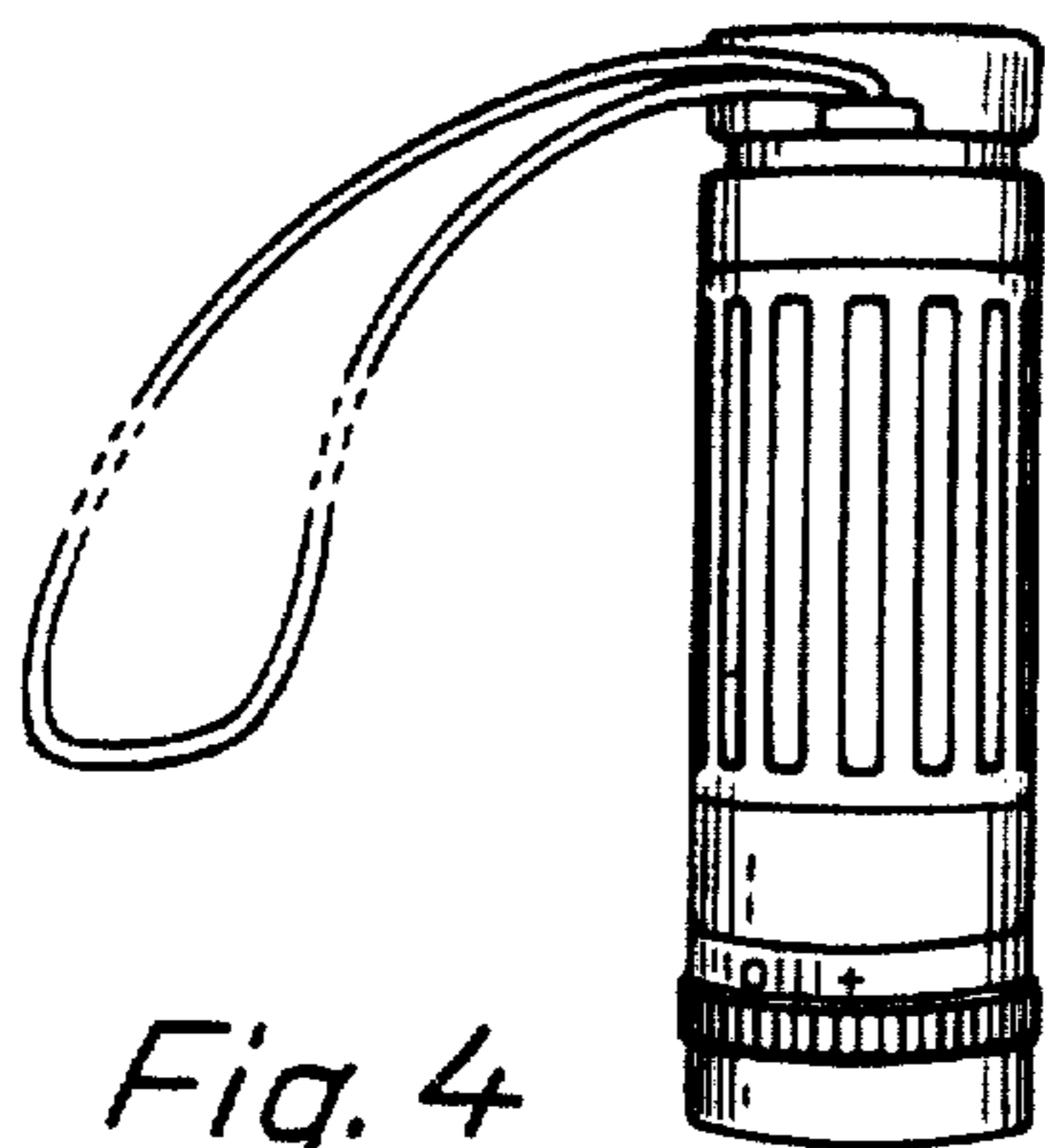


Fig. 4

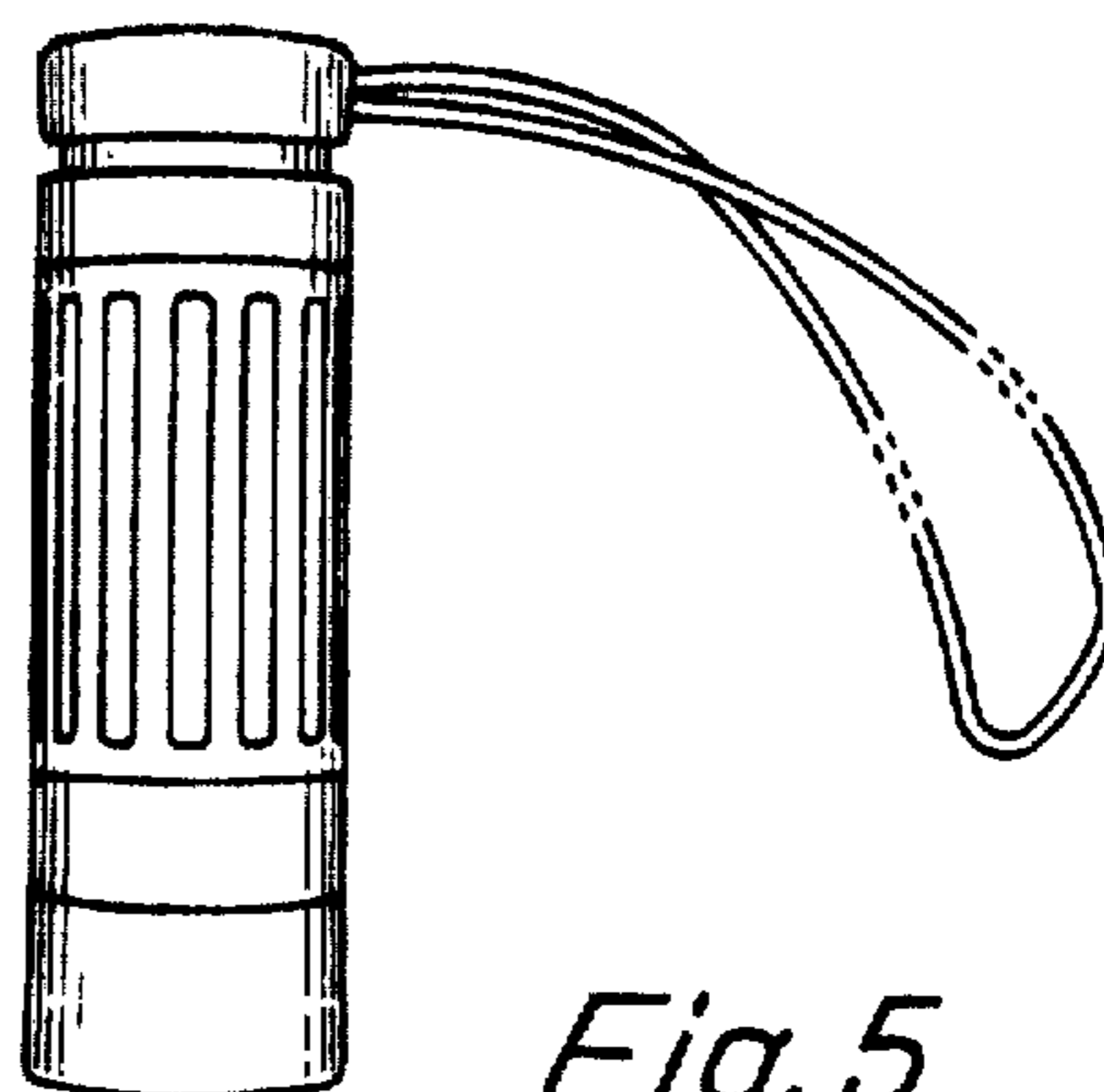


Fig. 5

Fig. 6

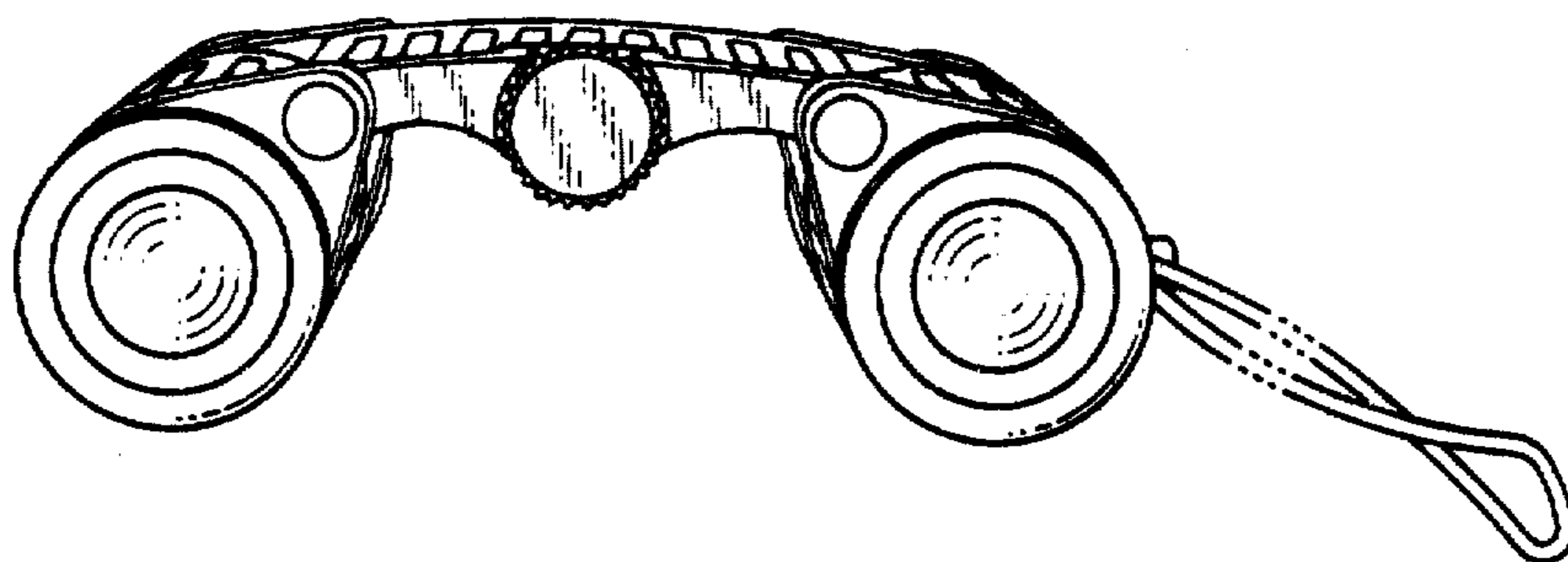
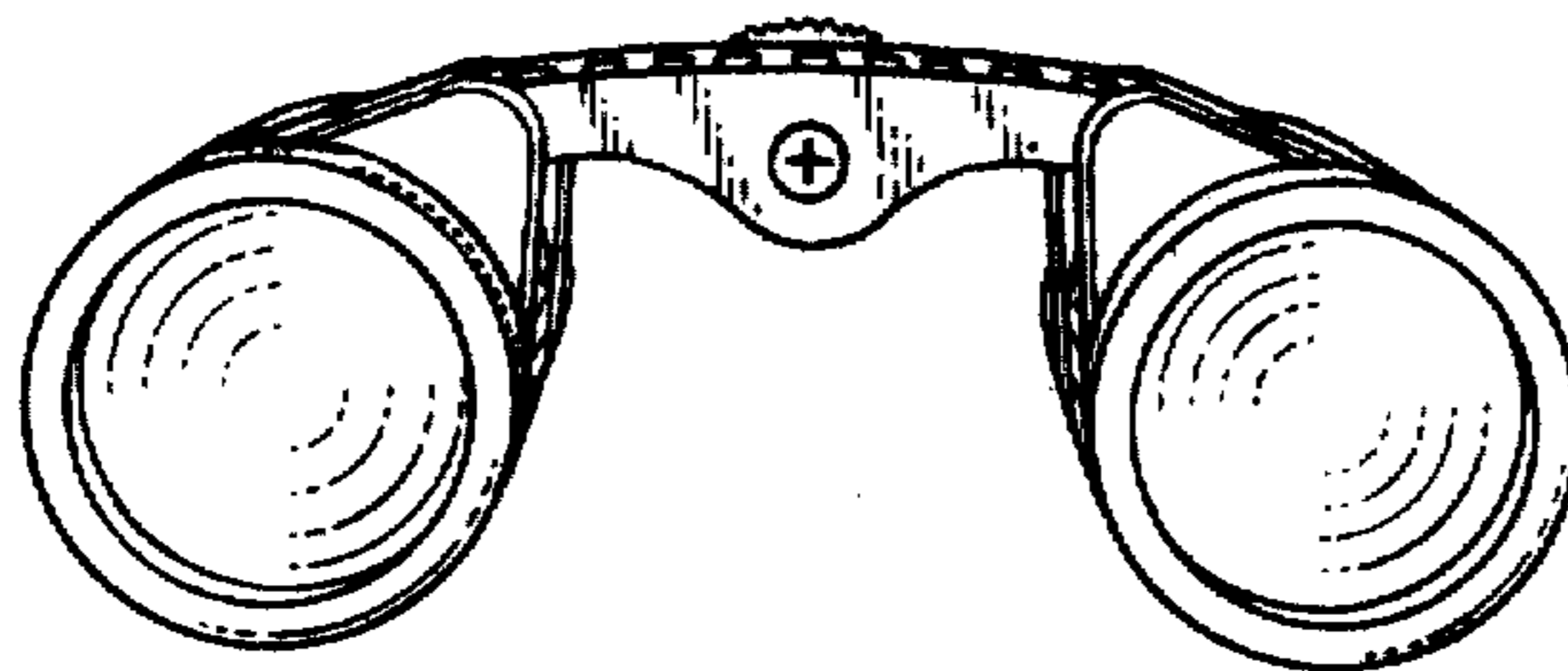


Fig. 7



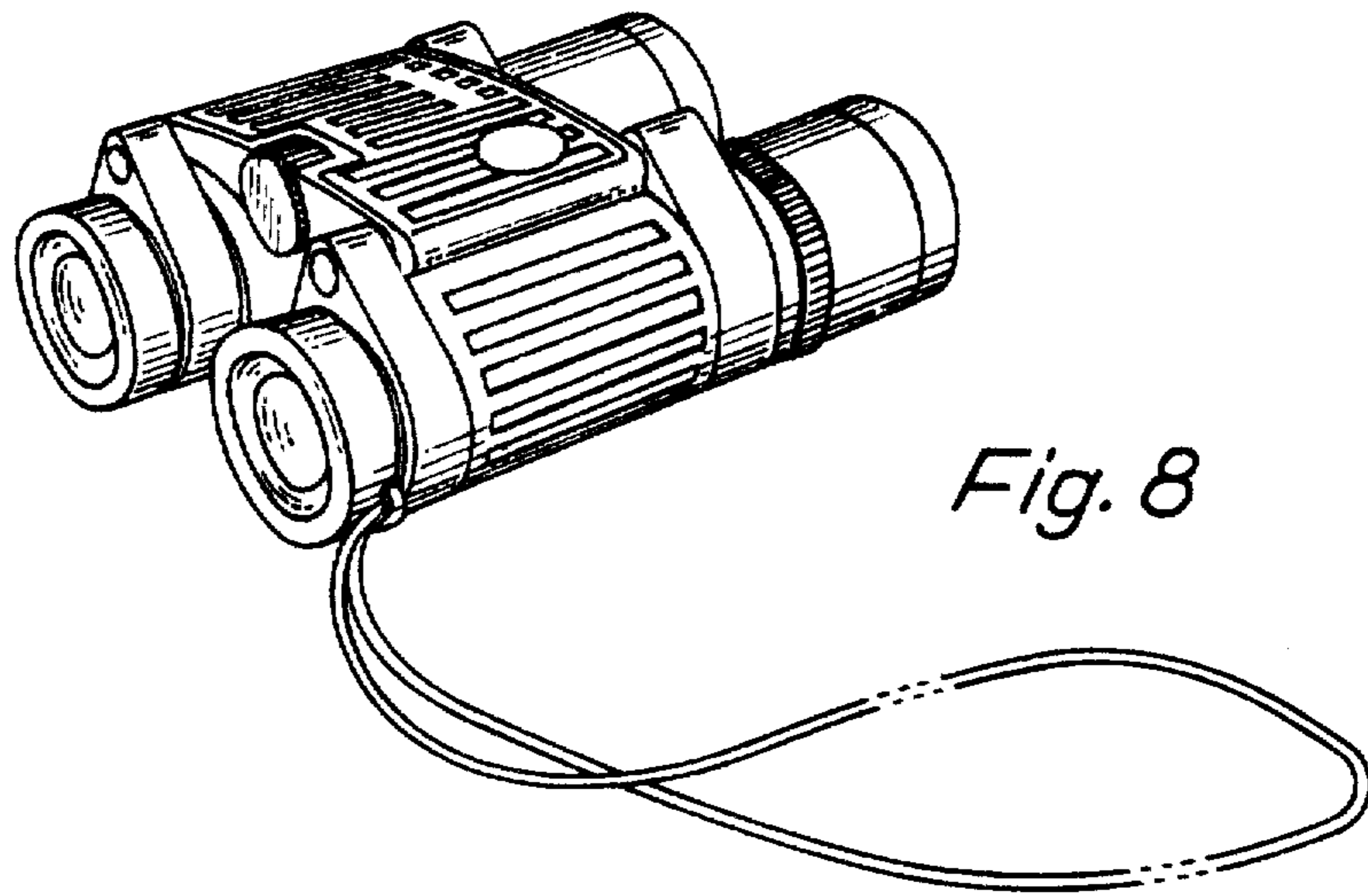


Fig. 8

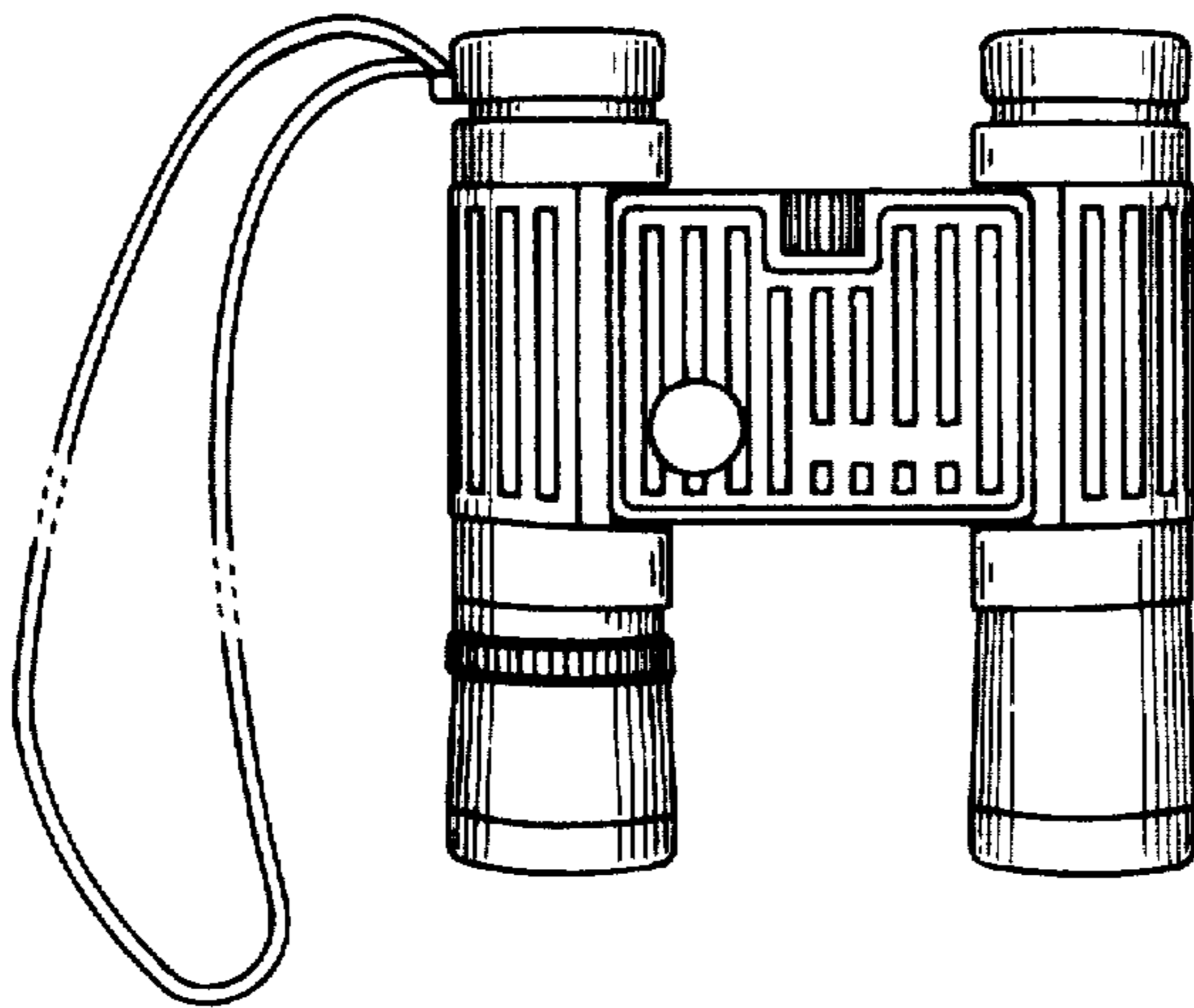


Fig. 9

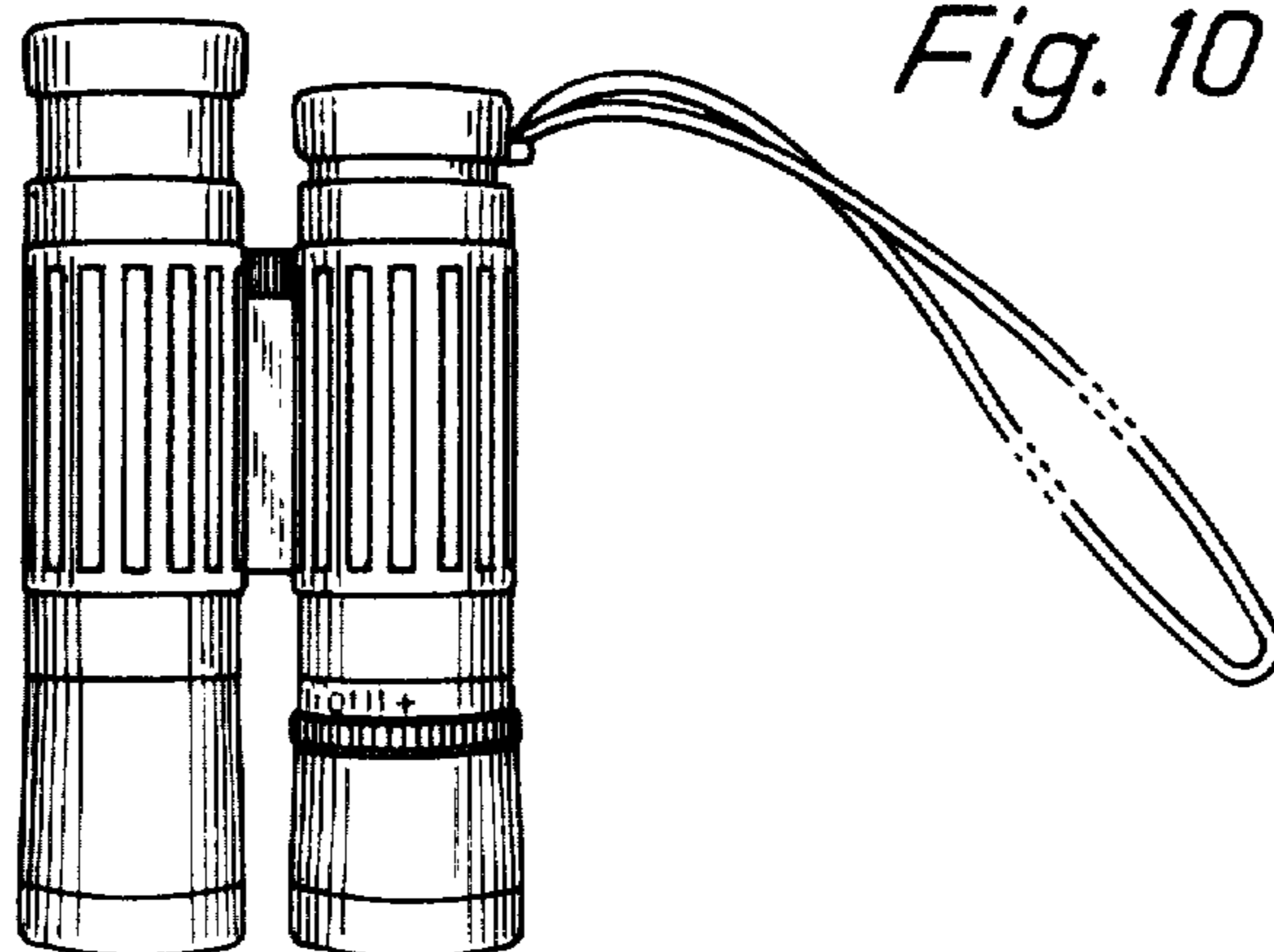


Fig. 10

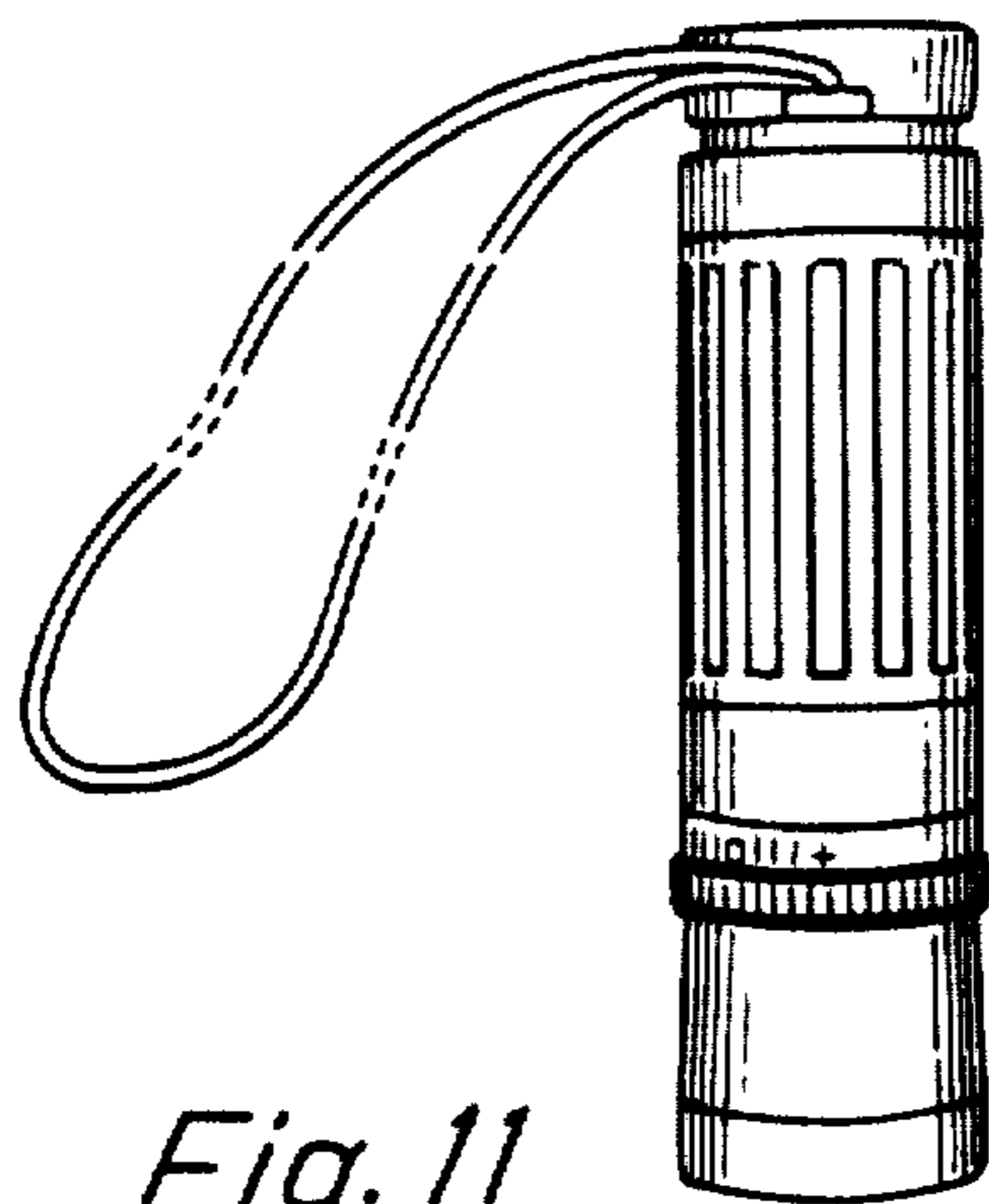


Fig. 11

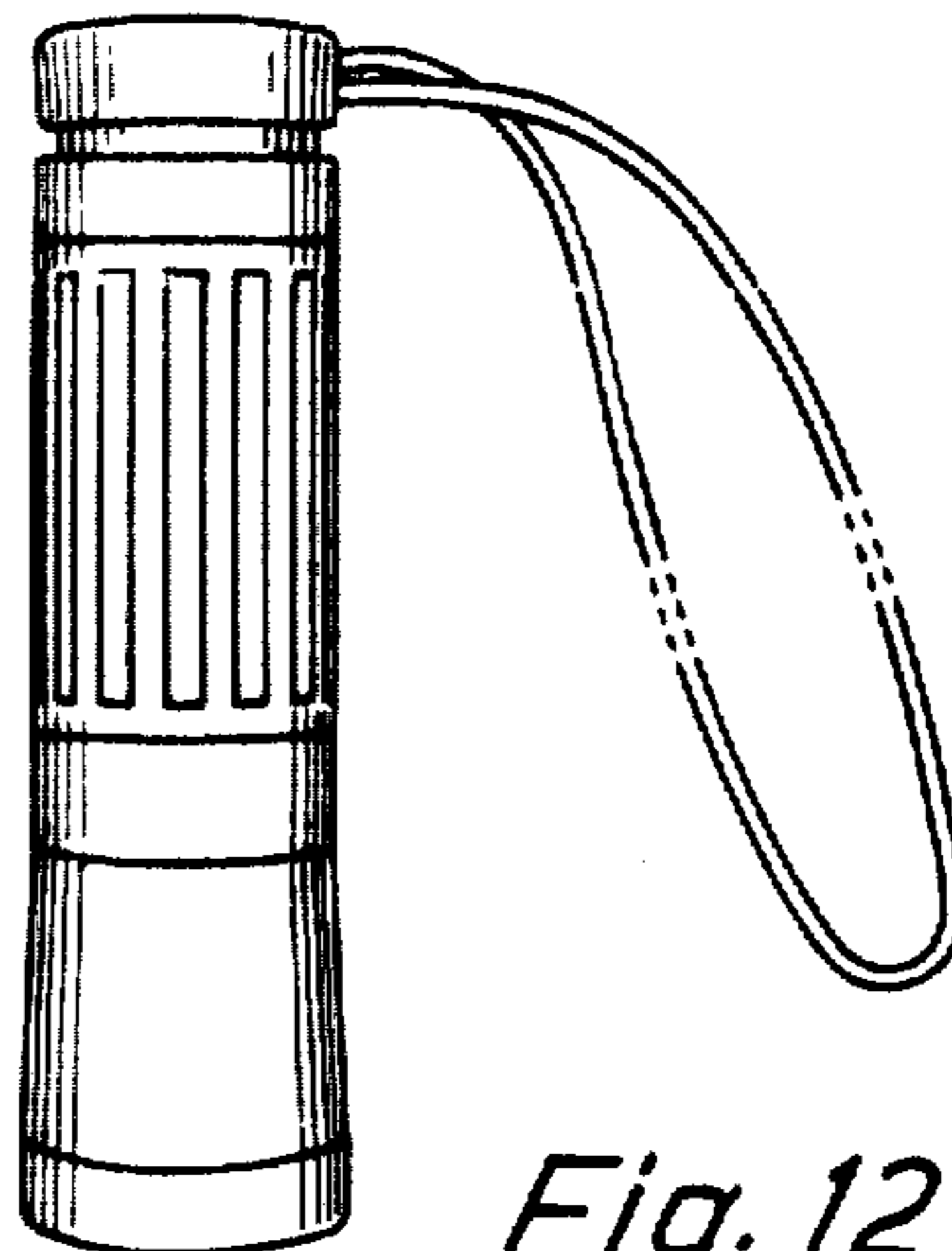


Fig. 12

Fig. 13

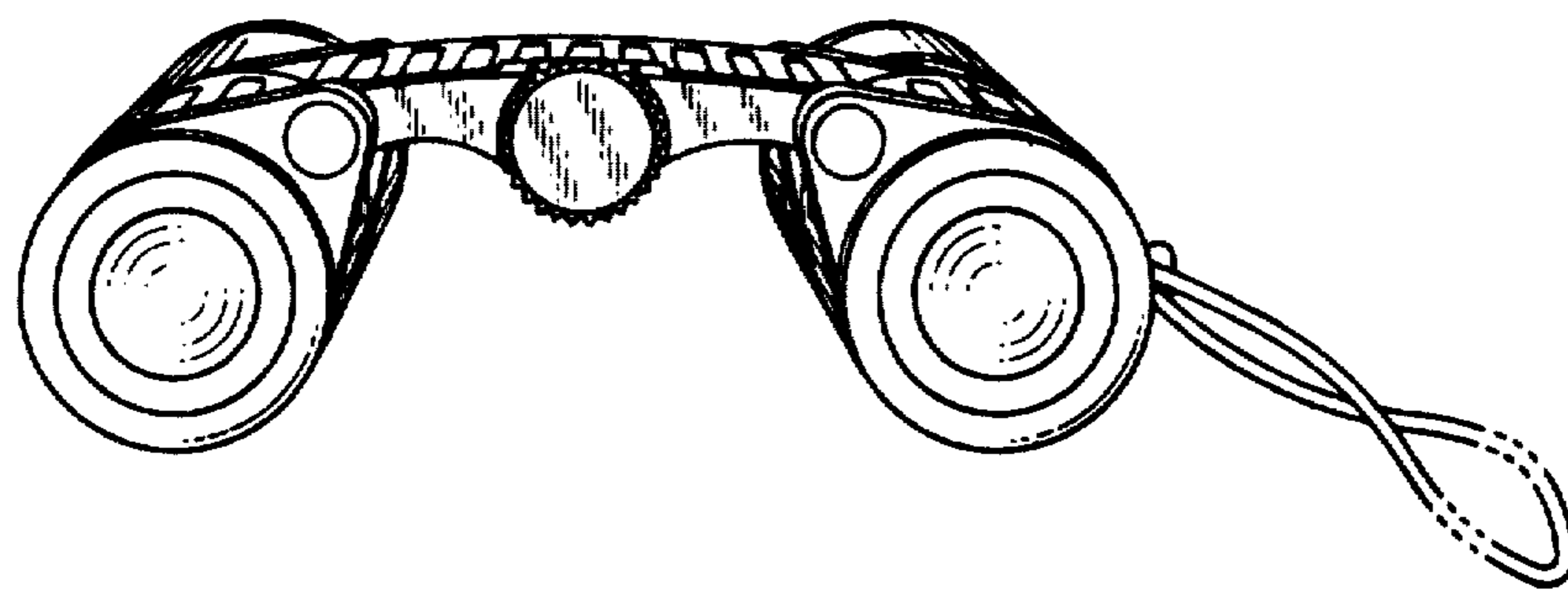


Fig. 14

