

[54] X-RAY-FILM-PROCESSOR

[75] Inventors: Norbert Schlagheck, Fuerstenfeldbruck; Lutz Rabold, Söcking, both of Fed. Rep. of Germany

[73] Assignee: AGFA-Gevaert AG, Leverkusen, Fed. Rep. of Germany

[**] Term: 14 Years

[21] Appl. No.: 216,605

[22] Filed: Dec. 12, 1980

[30] Foreign Application Priority Data

Jun. 12, 1980 [DE] Fed. Rep. of Germany G175804

[51] Int. Cl. D16-03

[52] U.S. Cl. D16/34; D24/02

[58] Field of Search 354/297, 315, 331; D24/2; D16/34

[56] References Cited

U.S. PATENT DOCUMENTS

- D. 101,765 11/1936 Buck D16/34
- D. 221,186 7/1971 Hope et al. D16/34

- D. 234,159 1/1975 Knowles D16/34
- D. 236,158 7/1975 Hope et al. D16/34
- D. 249,529 9/1978 Gilligan D16/34
- 3,000,288 9/1961 Winnek D16/34 X
- 3,344,730 10/1967 Bartlett D16/34 X
- 4,236,806 12/1980 Hoadley 354/315 X
- 4,248,513 2/1981 Caccamisi 354/331 X

FOREIGN PATENT DOCUMENTS

2210097 9/1973 Fed. Rep. of Germany 354/315

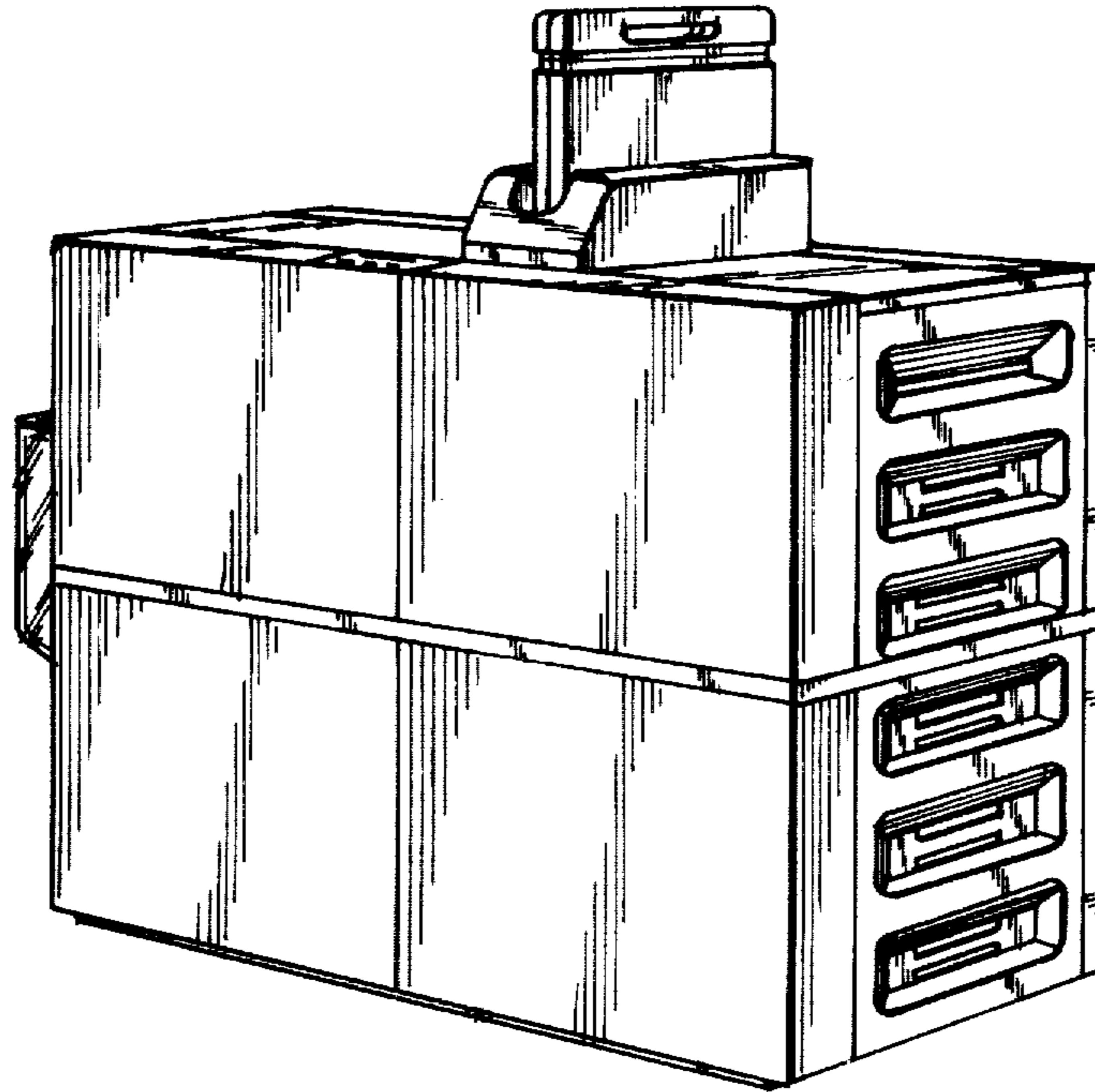
Primary Examiner—Bernard Ansher
Attorney, Agent, or Firm—Michael J. Striker

[57] CLAIM

The ornamental design for an X-ray-film-processor, substantially as shown and described.

DESCRIPTION

FIG. 1 is a perspective front view of an X-ray-film-processor embodying our new design; FIG. 2 is a front view thereof; FIG. 3 is a rear view thereof; FIG. 4 is a top-plan view thereof; FIG. 5 is a bottom-plan view thereof; FIG. 6 is a right-side view thereof; and FIG. 7 is a left-side view thereof.



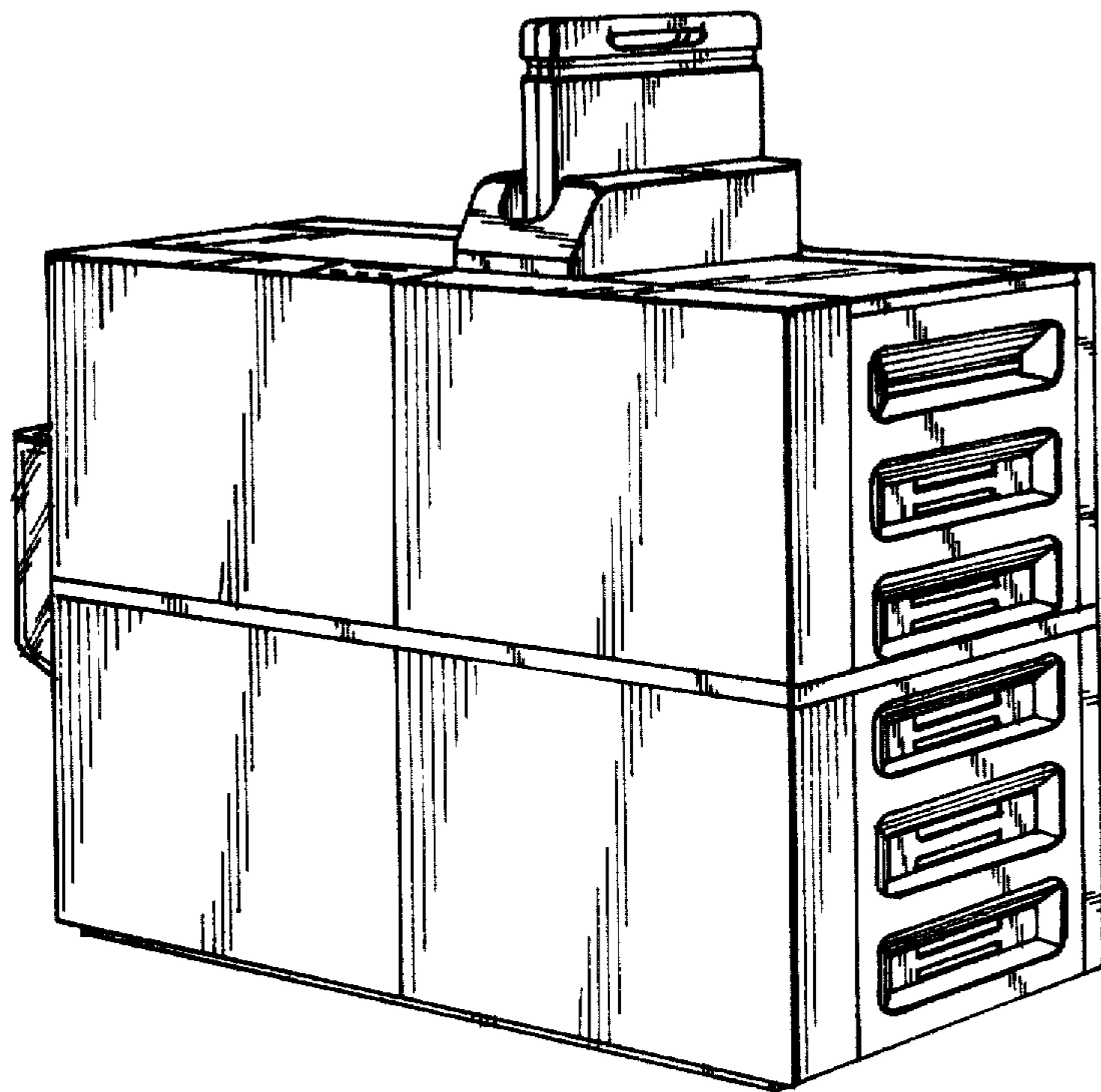


FIG. 1

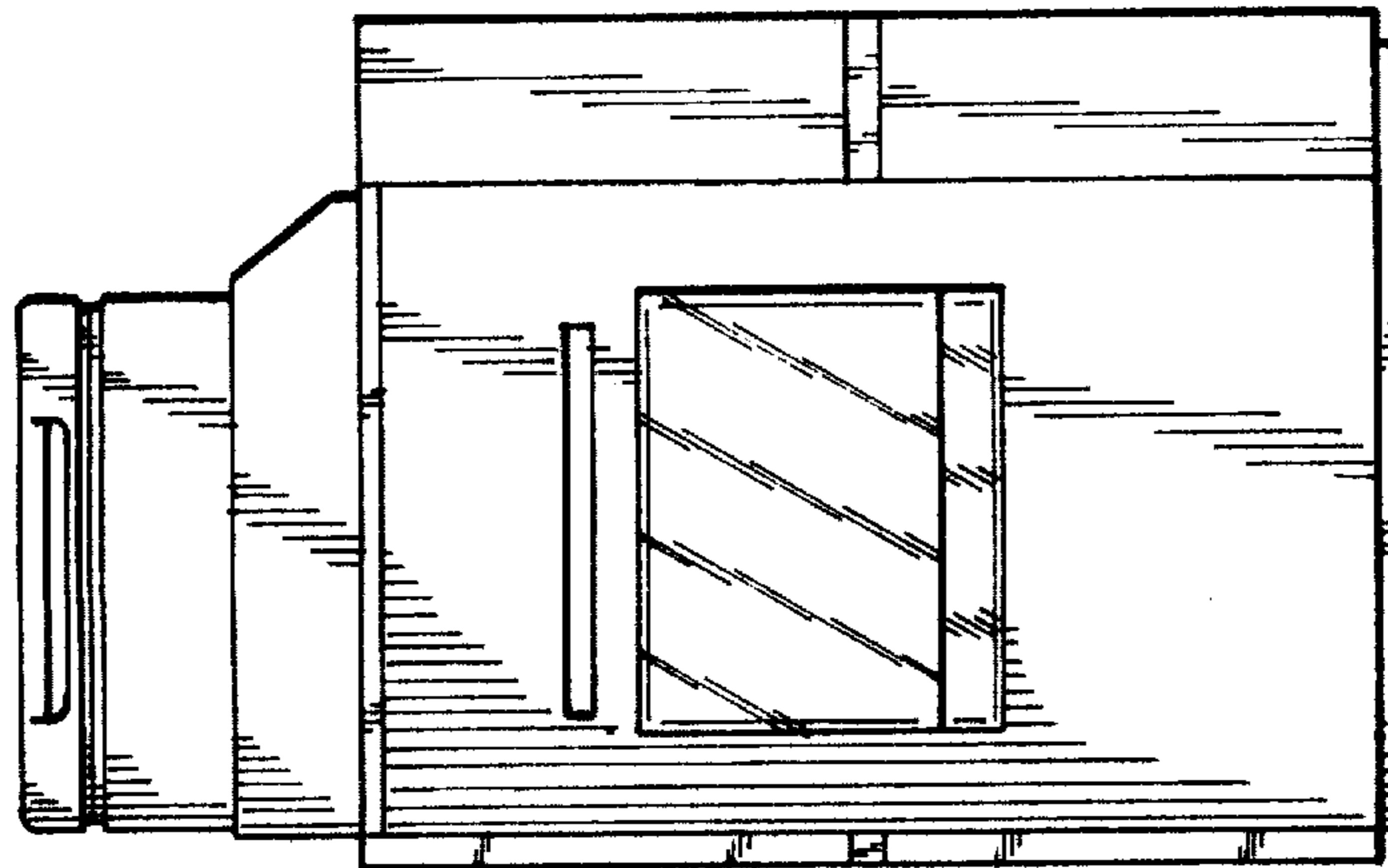


FIG. 3

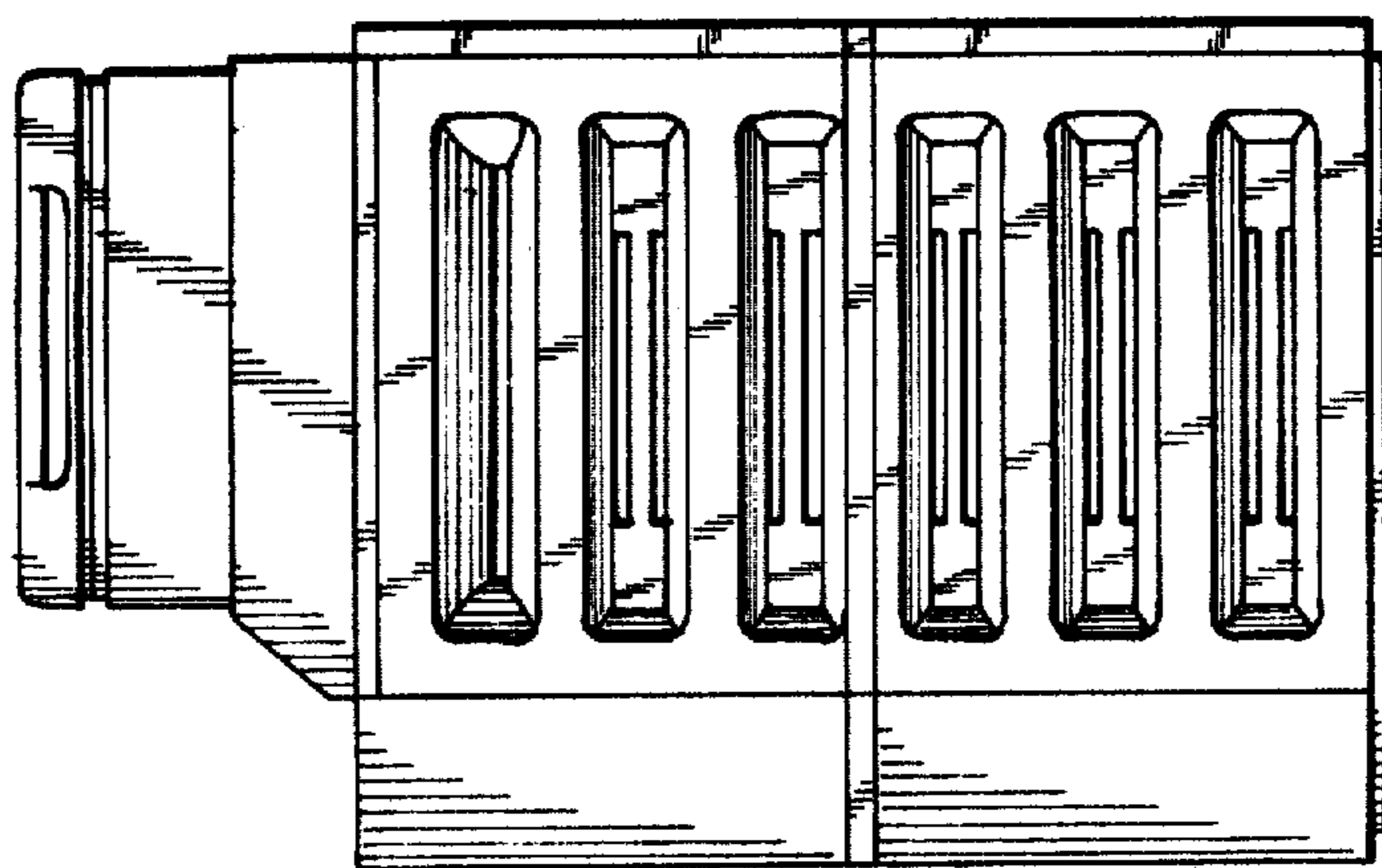


FIG. 2

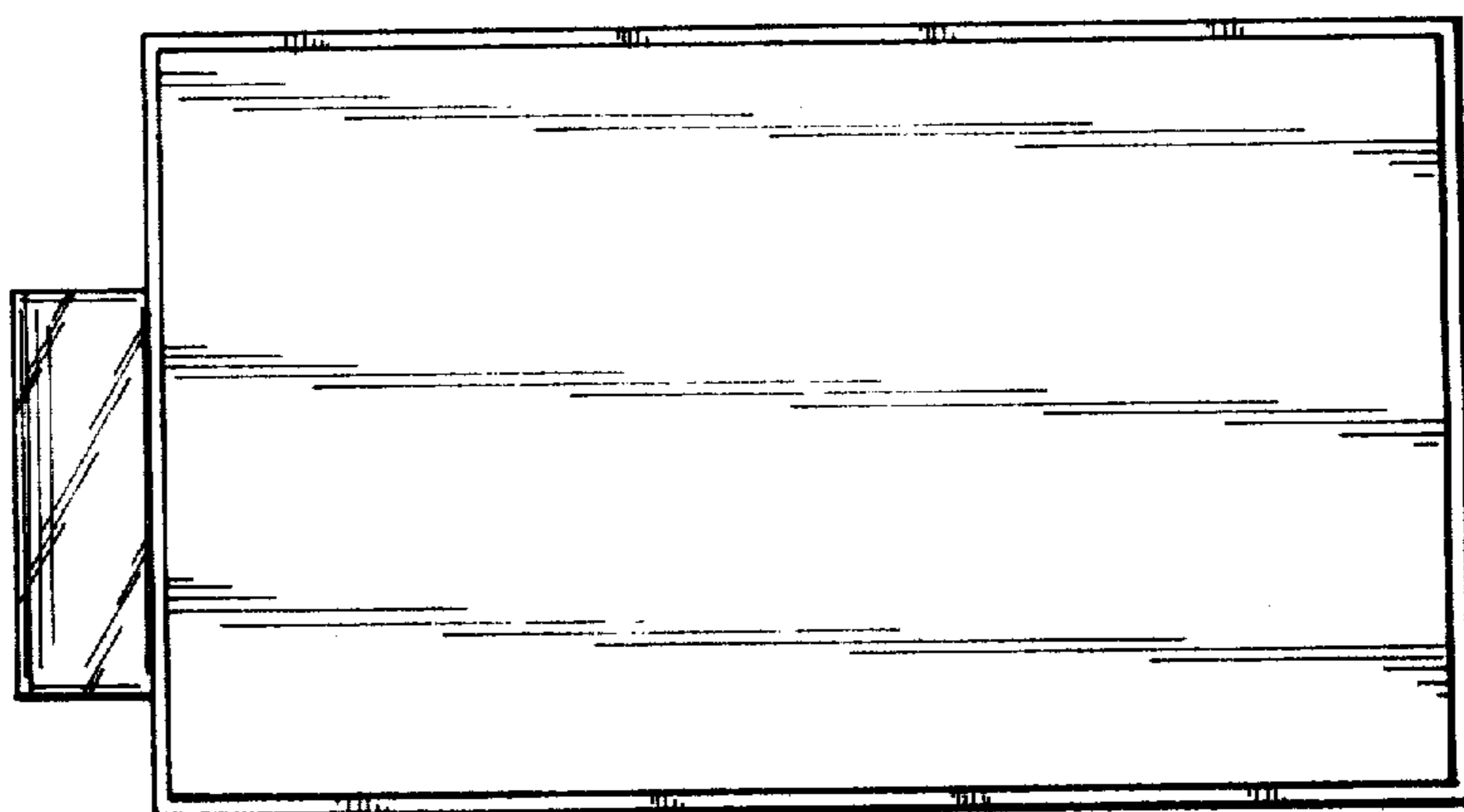


FIG. 5

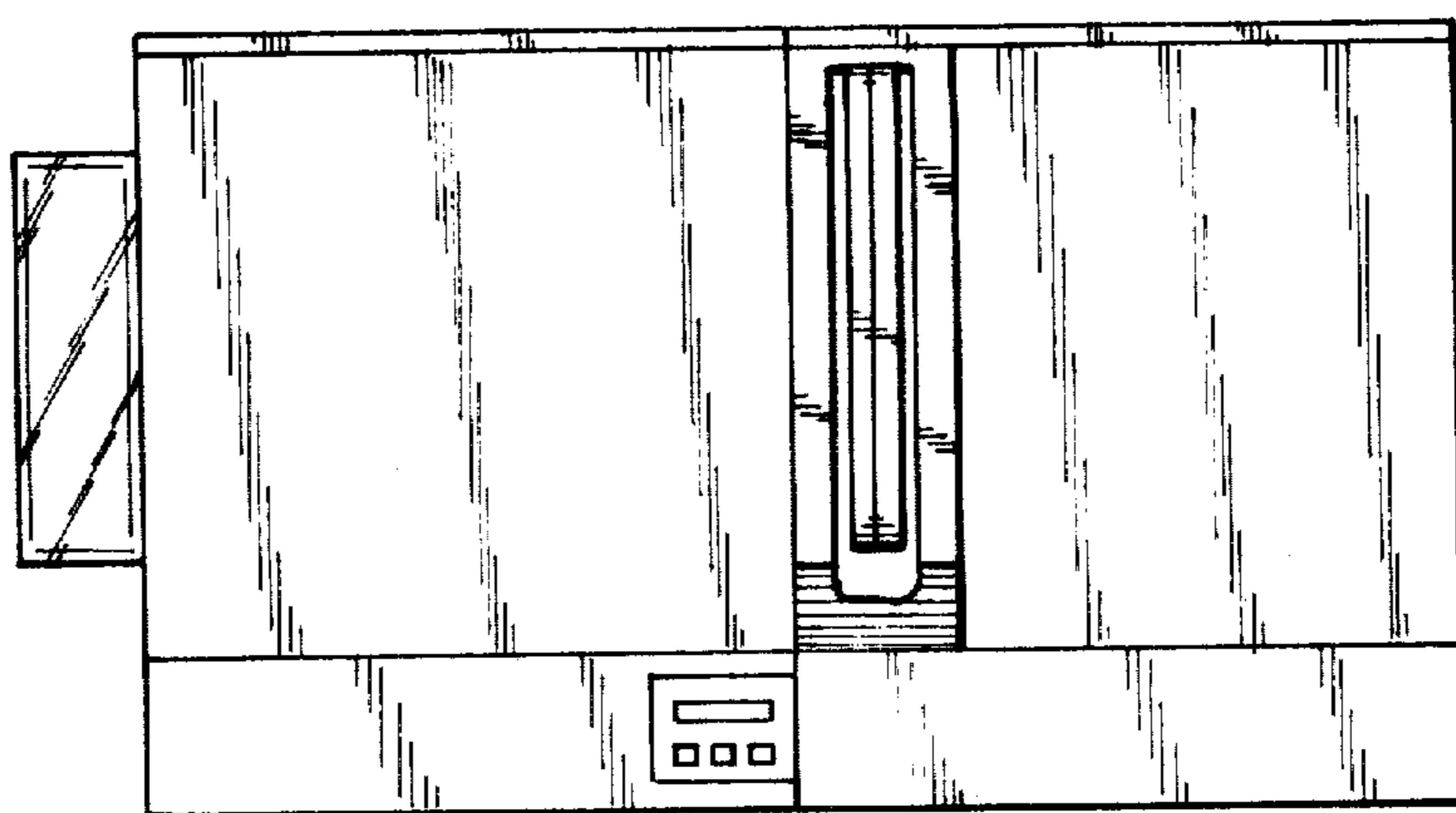


FIG. 4

FIG. 7

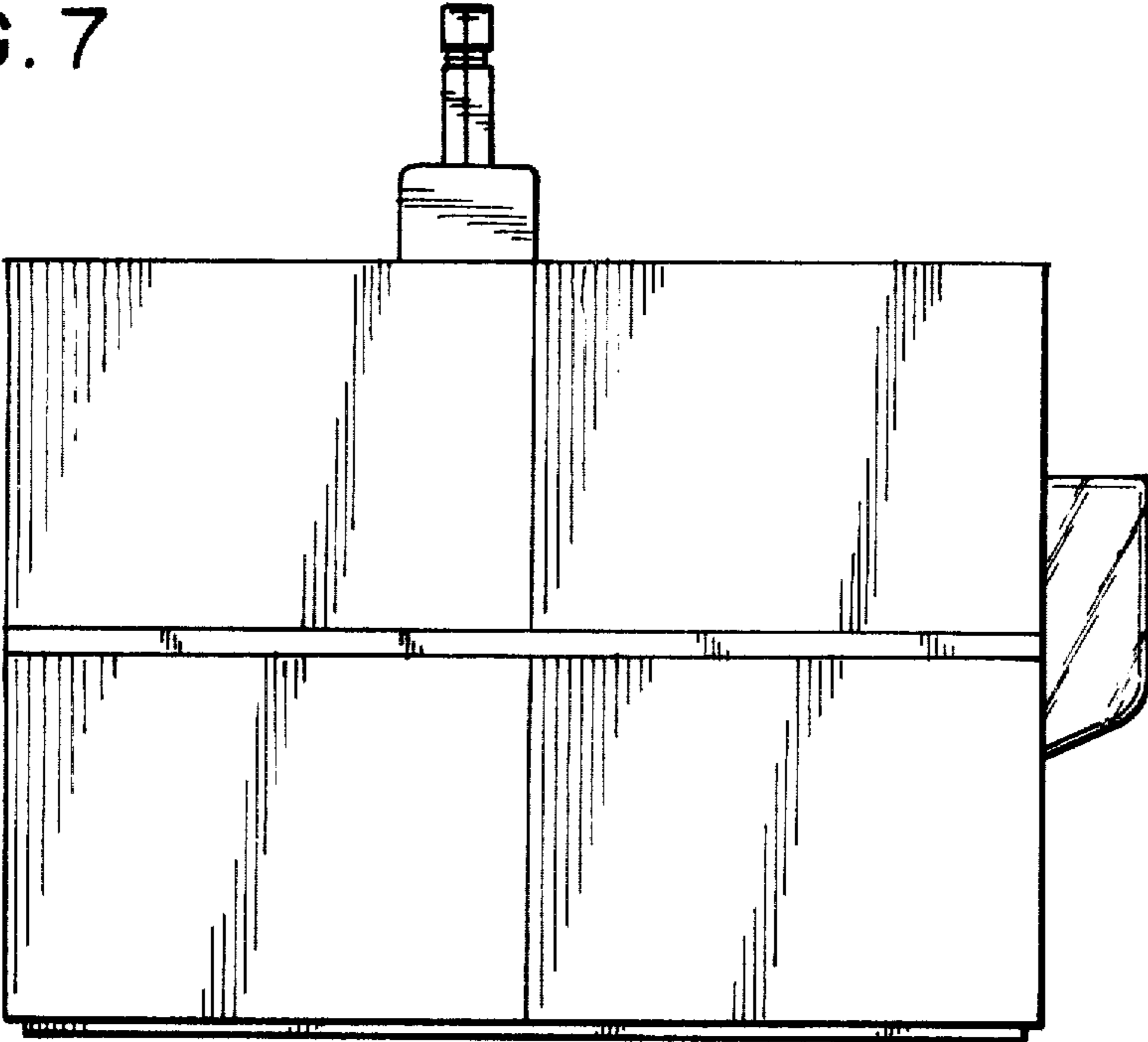


FIG. 6

