

[54] MOUNTING BRACKET ASSEMBLY FOR AN OUTBOARD MOTOR

3,061,250 10/1962 Conover 248/642
3,371,893 3/1968 Blanchard, Jr. 248/642
3,424,412 1/1969 Gayle 248/642

[75] Inventors: Charles B. Hall, Ingleside, Ill.;
Myron T. Stevens, Kenosha, Wis.;
Paul B. Specht, Wilmette, Ill.

FOREIGN PATENT DOCUMENTS

501562 4/1954 Canada 248/643

[73] Assignee: Outboard Marine Corporation,
Waukegan, Ill.

Primary Examiner—Wallace R. Burke
Assistant Examiner—L. Wilder
Attorney, Agent, or Firm—Michael, Best & Friedrich

[**] Term: 14 Years

[57] CLAIM

[21] Appl. No.: 299,154

The ornamental design of a mounting bracket assembly for an outboard motor, as shown.

[22] Filed: Sep. 3, 1981

DESCRIPTION

[51] Int. Cl. D15-99

[52] U.S. Cl. D15/4

[58] Field of Search 248/640, 641, 642, 643;
440/55, 56; D15/4

FIG. 1 is a perspective view of a mounting bracket assembly for an outboard motor showing my new design;

FIG. 2 is a top plan view thereof on a reduced scale;

FIG. 3 is a bottom plan view thereof on a reduced scale;

FIG. 4 is a side elevational view thereof;

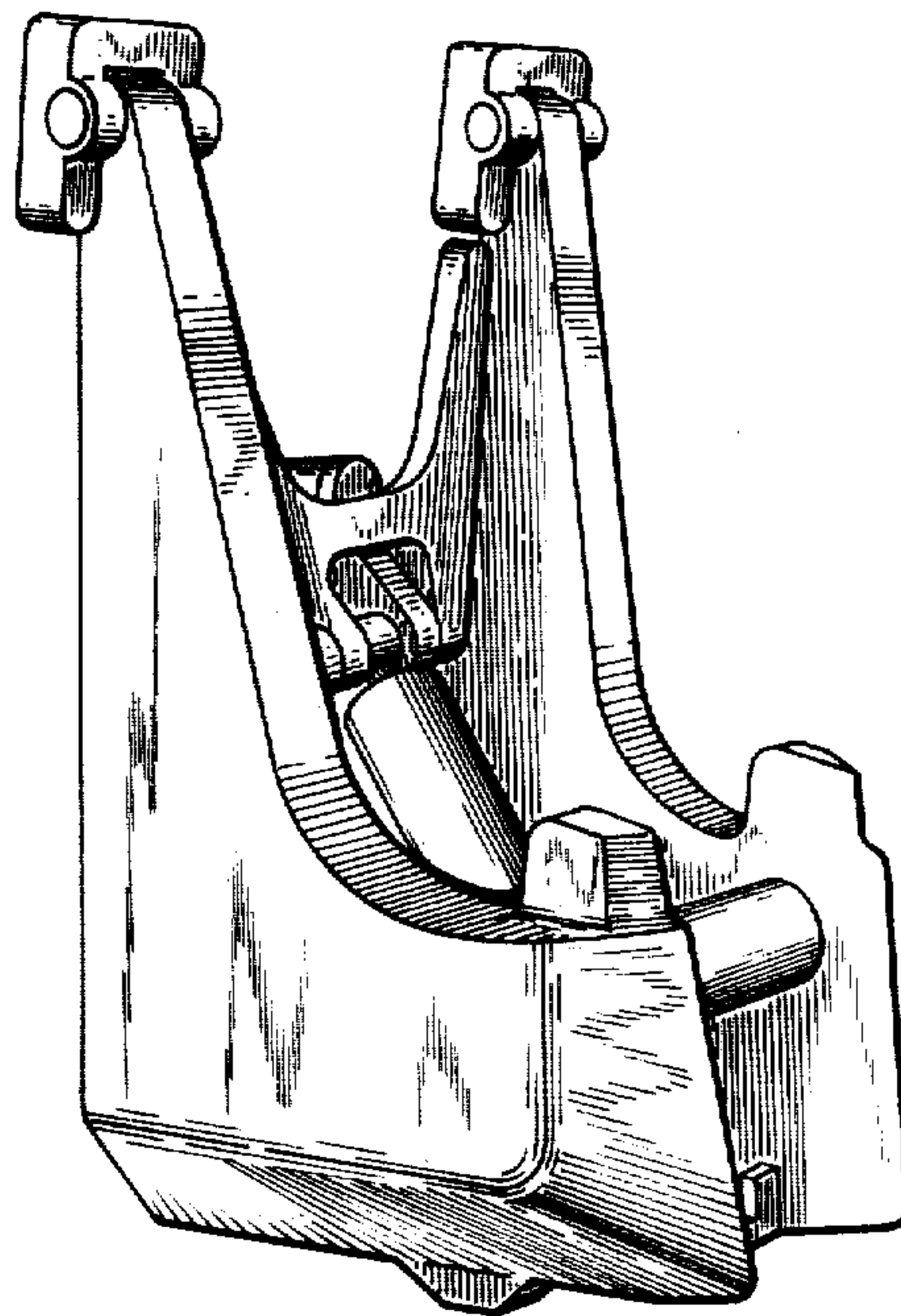
FIG. 5 is a rear elevational view thereof; and

FIG. 6 is a top plan view thereof.

[56] References Cited

U.S. PATENT DOCUMENTS

2,638,863 5/1953 Kiebler et al. 248/643
2,911,938 11/1959 Hulsebus 248/642



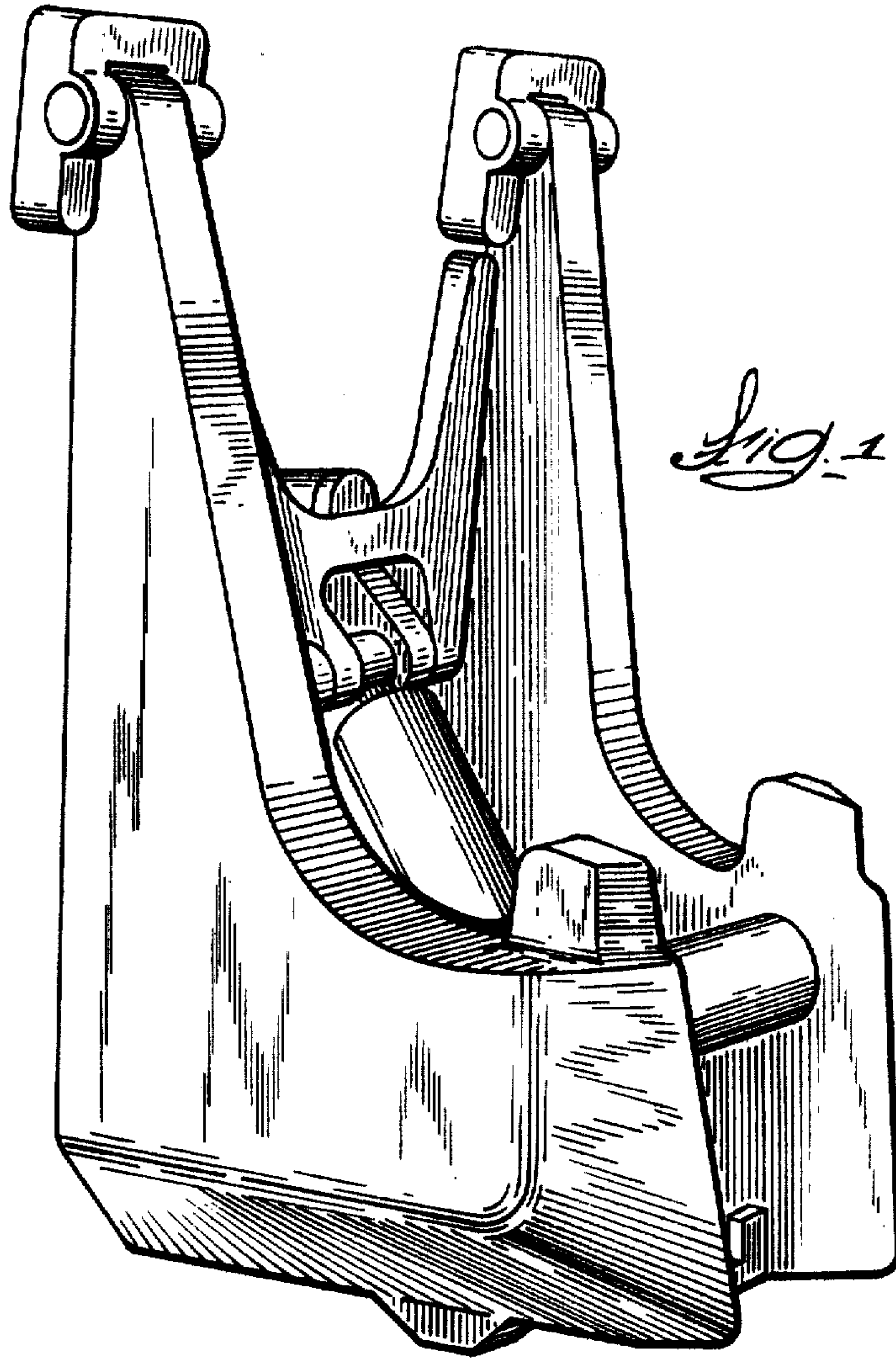


Fig. 1

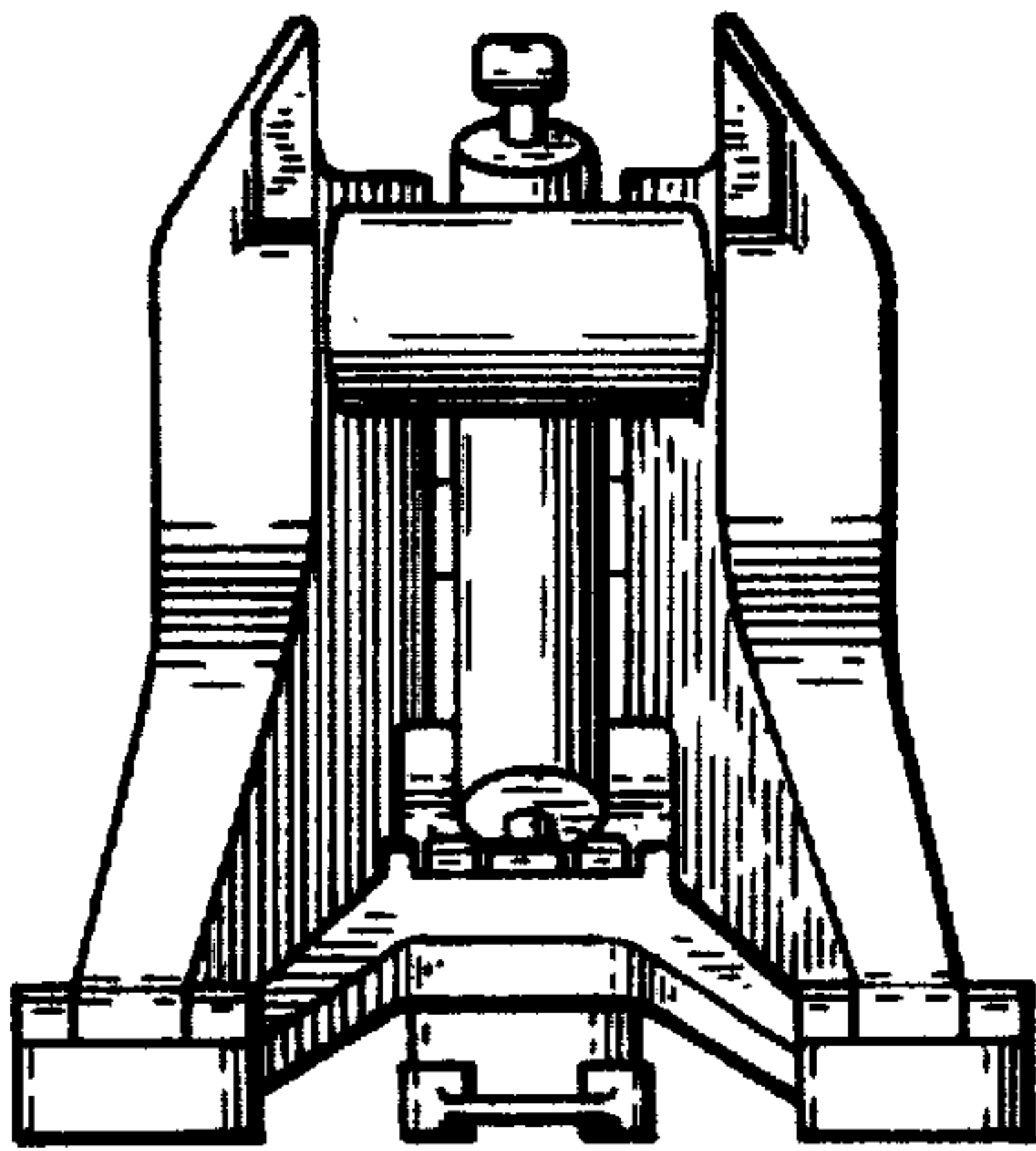


Fig. 2

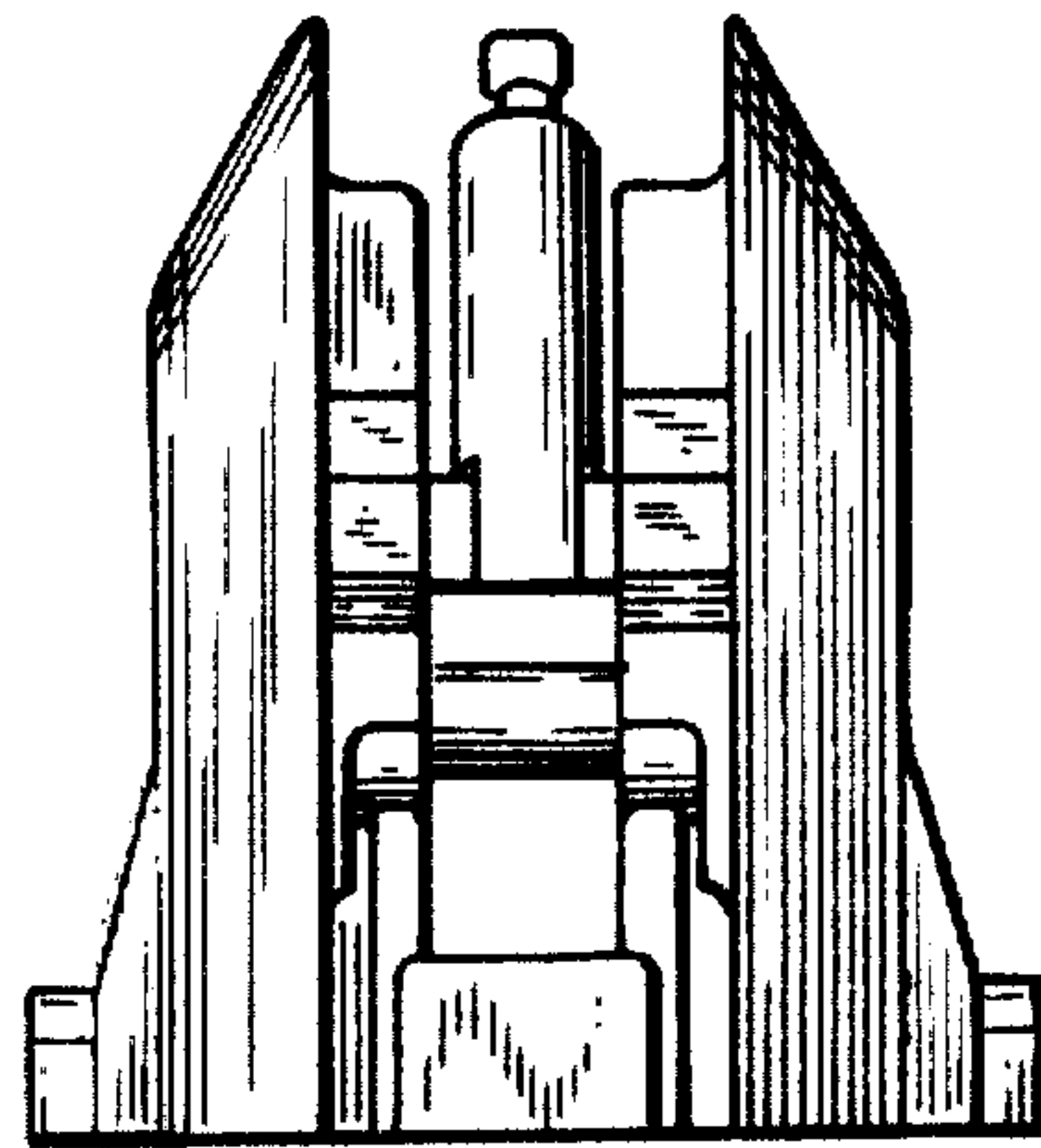


Fig. 3

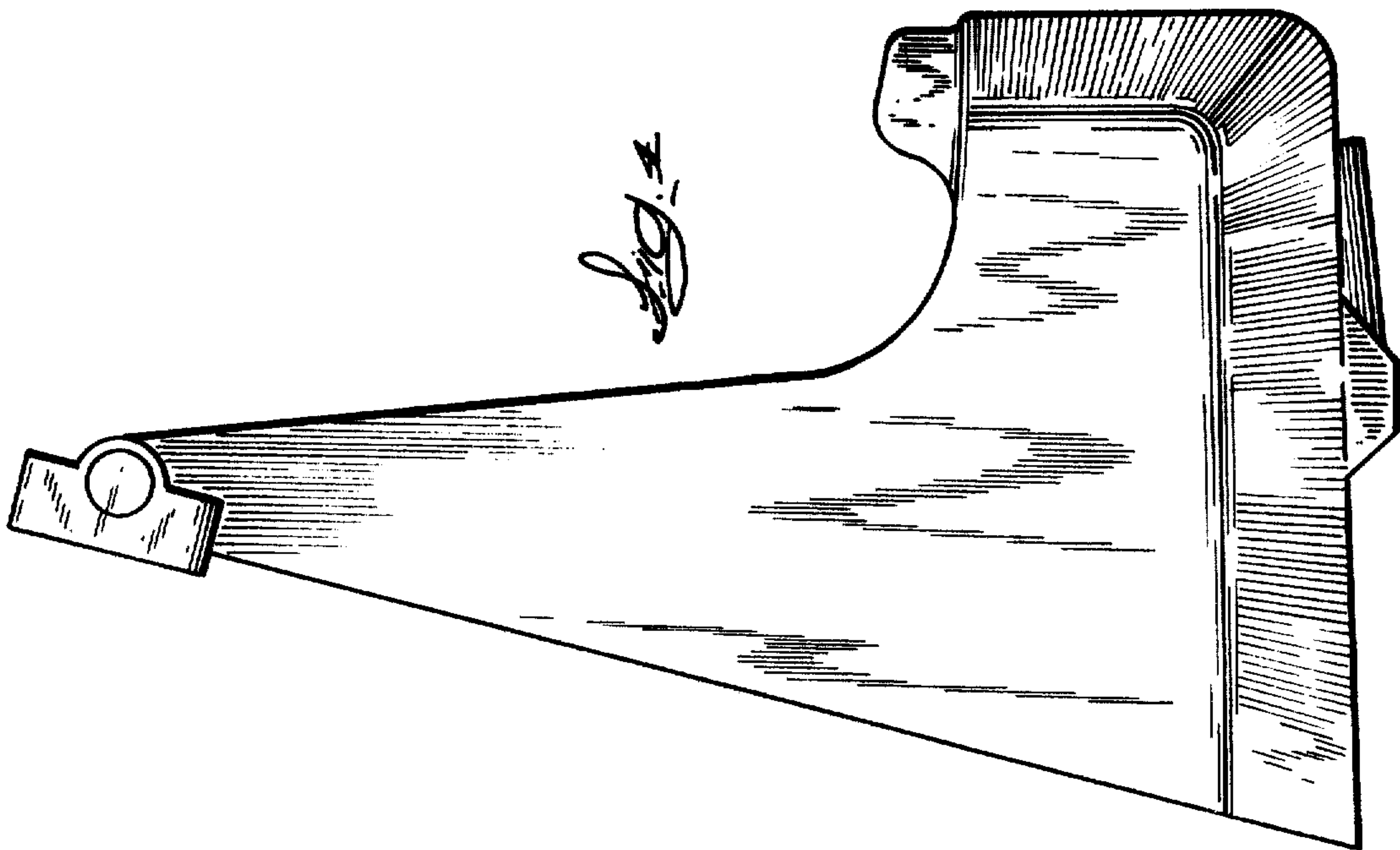
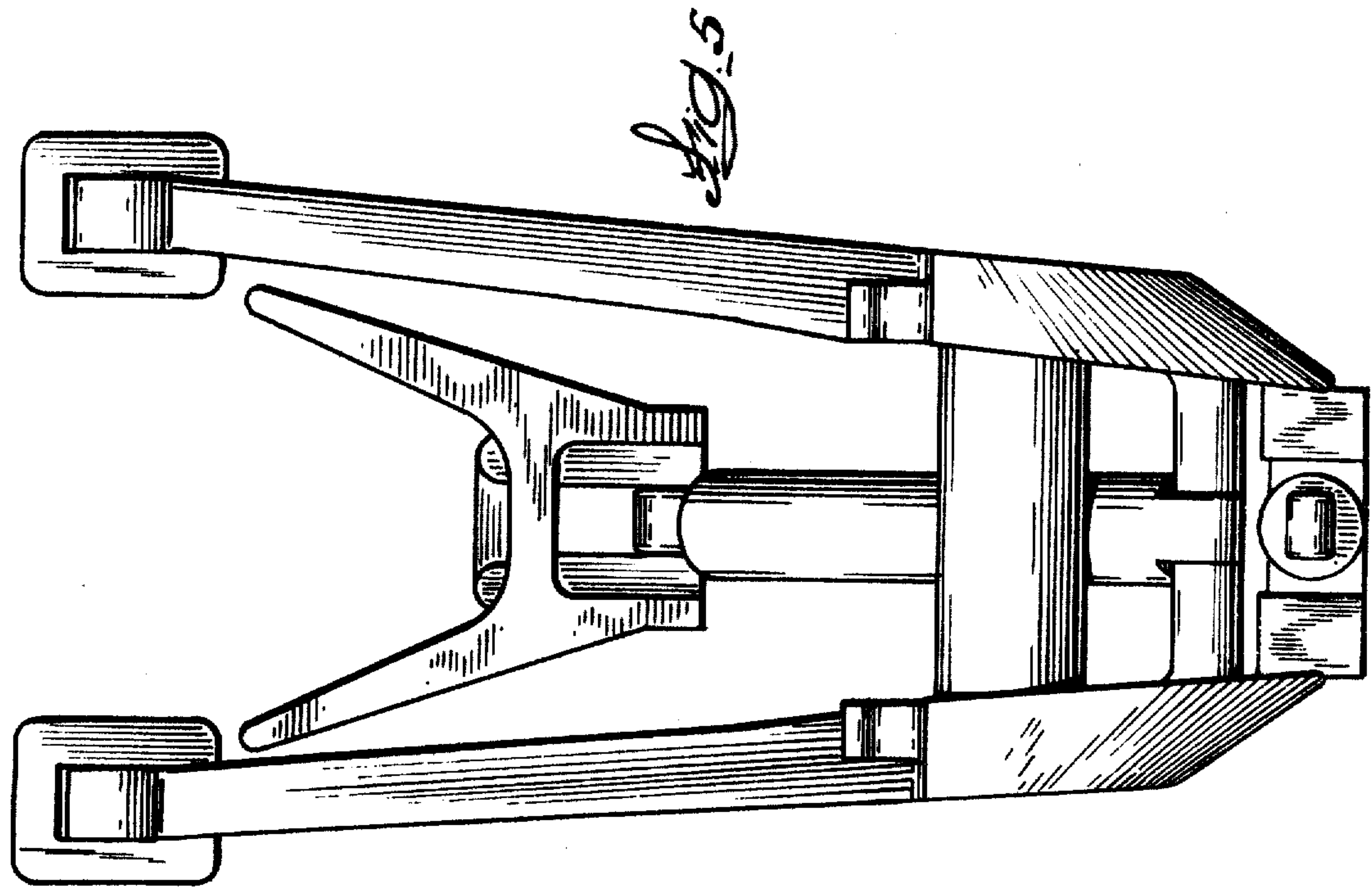


Fig. 6

