

[54] CASE FOR A KEYBOARD AND DISPLAY UNIT

[75] Inventors: Roman Y. Gonzales, Andover, Mass.; Jay M. Prager, Nashua, N.H.; Charles M. Ault, Winchester, Mass.

[73] Assignee: Gould Inc., Rolling Meadows, Ill.

[**] Term: 14 Years

[21] Appl. No.: 224,793

[22] Filed: Jan. 13, 1981

[51] Int. Cl. D14-02

[52] U.S. Cl. D14/100

[58] Field of Search D14/100-117; D13/40, 41; 235/145 R; 340/365 R, 700, 711; 364/900, 708; D18/6, 7

[56] References Cited

U.S. PATENT DOCUMENTS

- D. 225,742 1/1973 Sims D14/100
- D. 226,566 3/1973 Klepa et al. D14/100
- D. 250,022 10/1978 Pycha D14/100

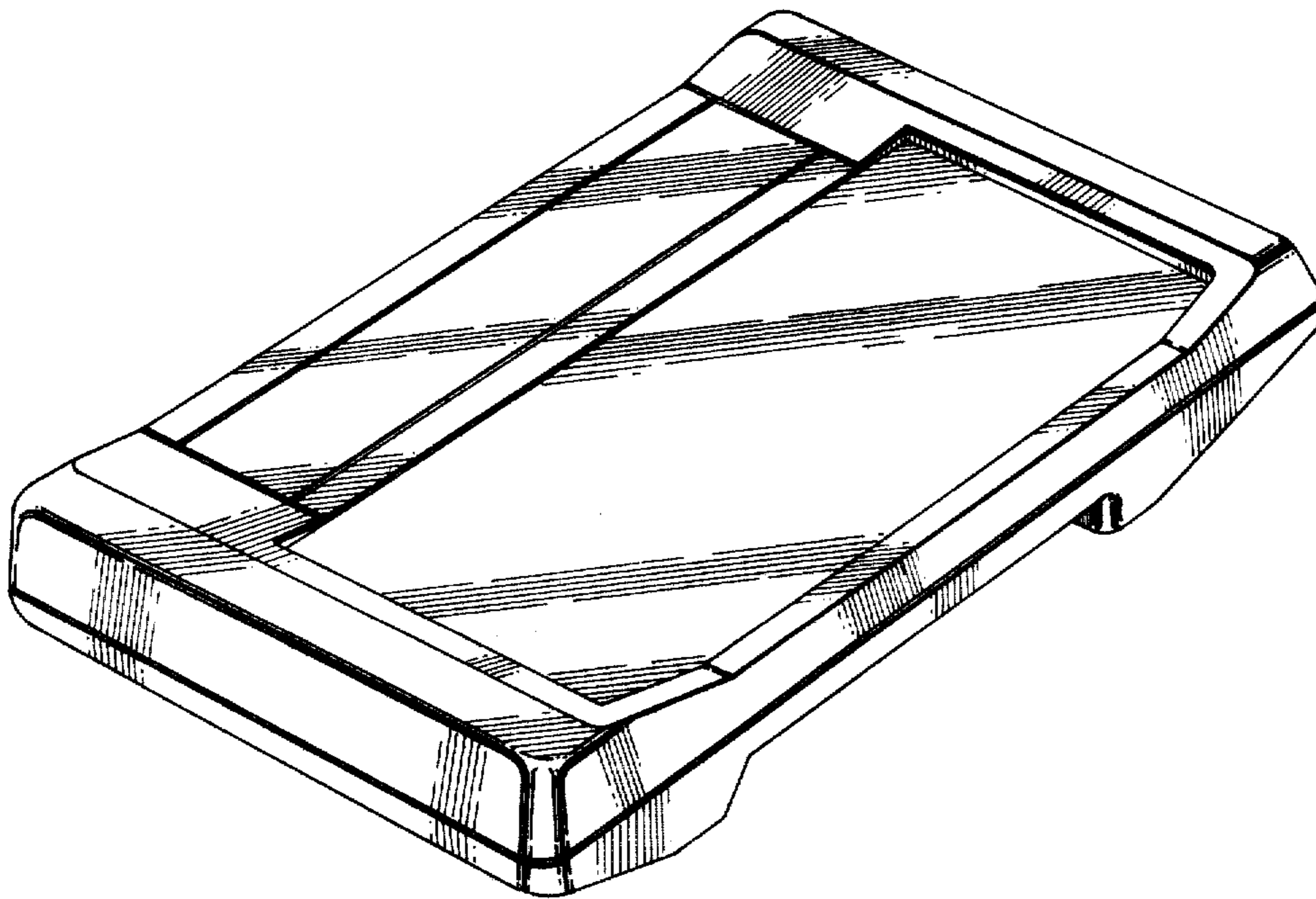
Primary Examiner—Susan J. Lucas
Attorney, Agent, or Firm—Mattern, Ware, Stoltz & Fressola

[57] CLAIM

The ornamental design for a case for a keyboard and display unit, substantially as shown.

DESCRIPTION

FIG. 1 is a perspective view of a case for a keyboard and display unit embodying our design; FIG. 2 is a top view thereof; FIG. 3 is a side view taken from the left of FIG. 2; FIG. 4 is a side view taken from the right of FIG. 2; FIG. 5 is a bottom view thereof; FIG. 6 is a front view thereof; and FIG. 7 is a rear view thereof.



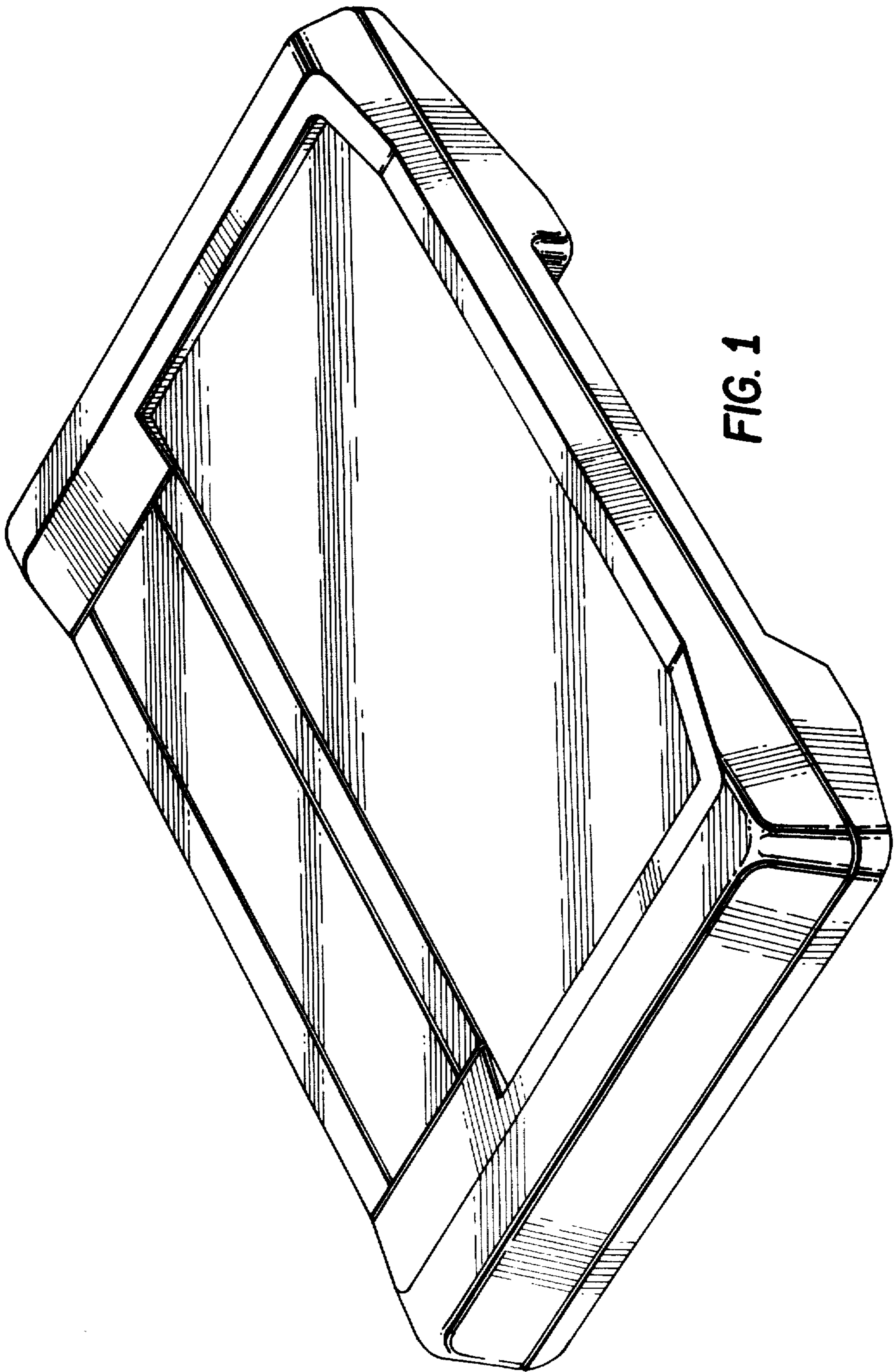


FIG. 1

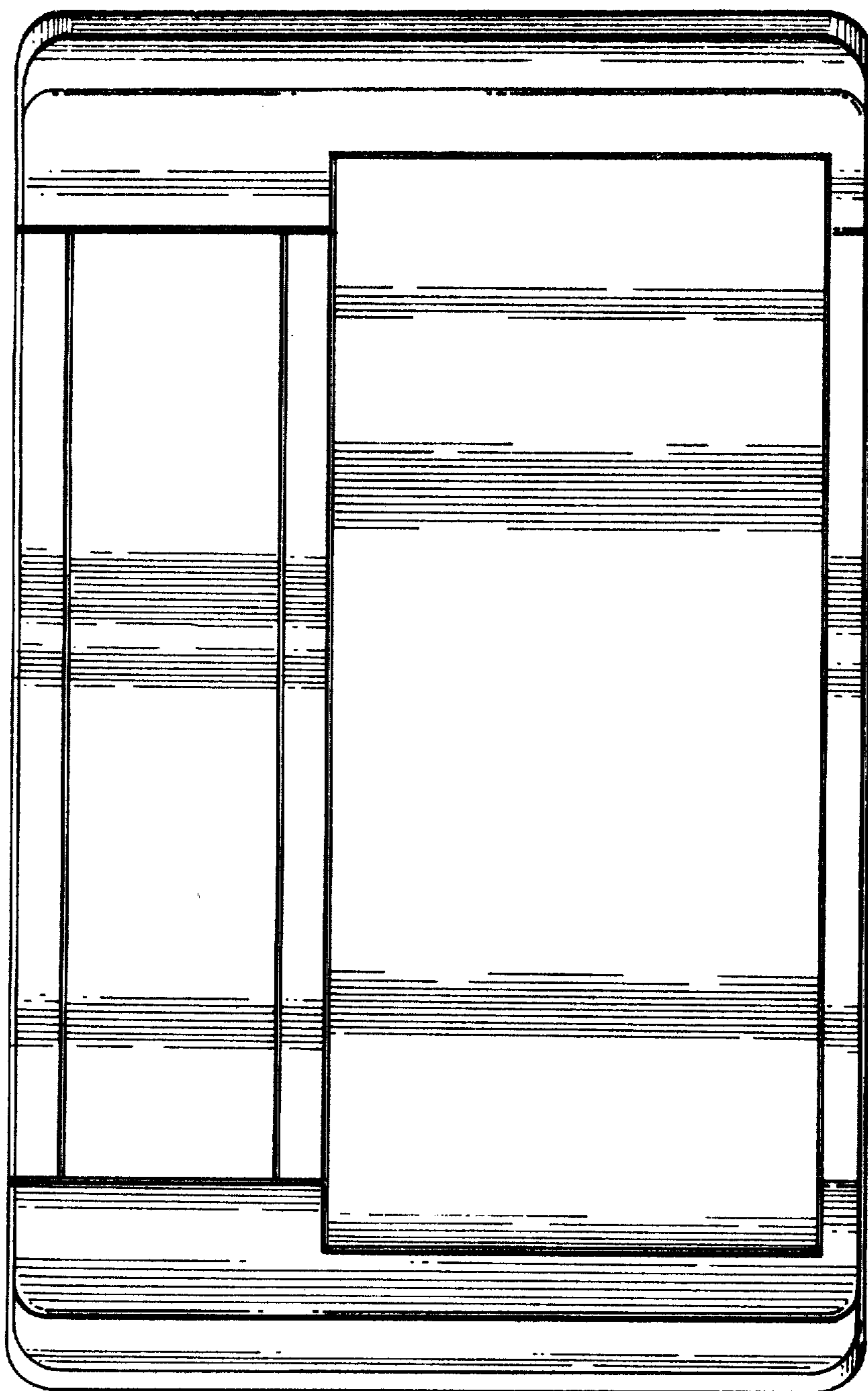


FIG. 2

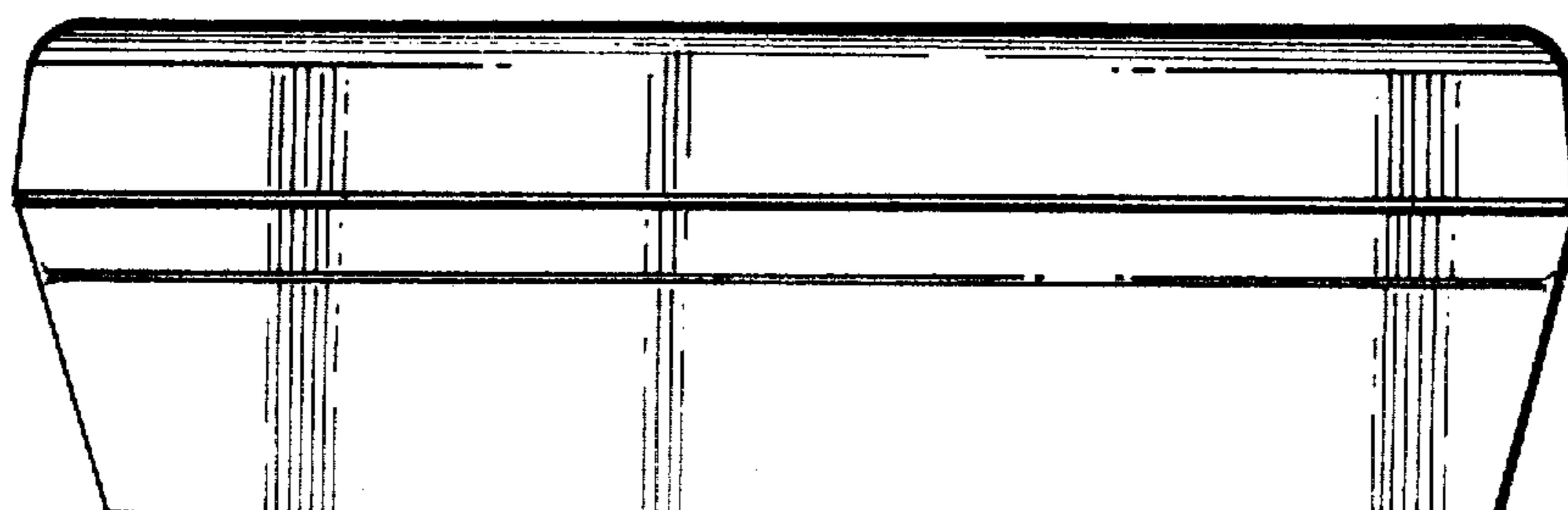


FIG. 3

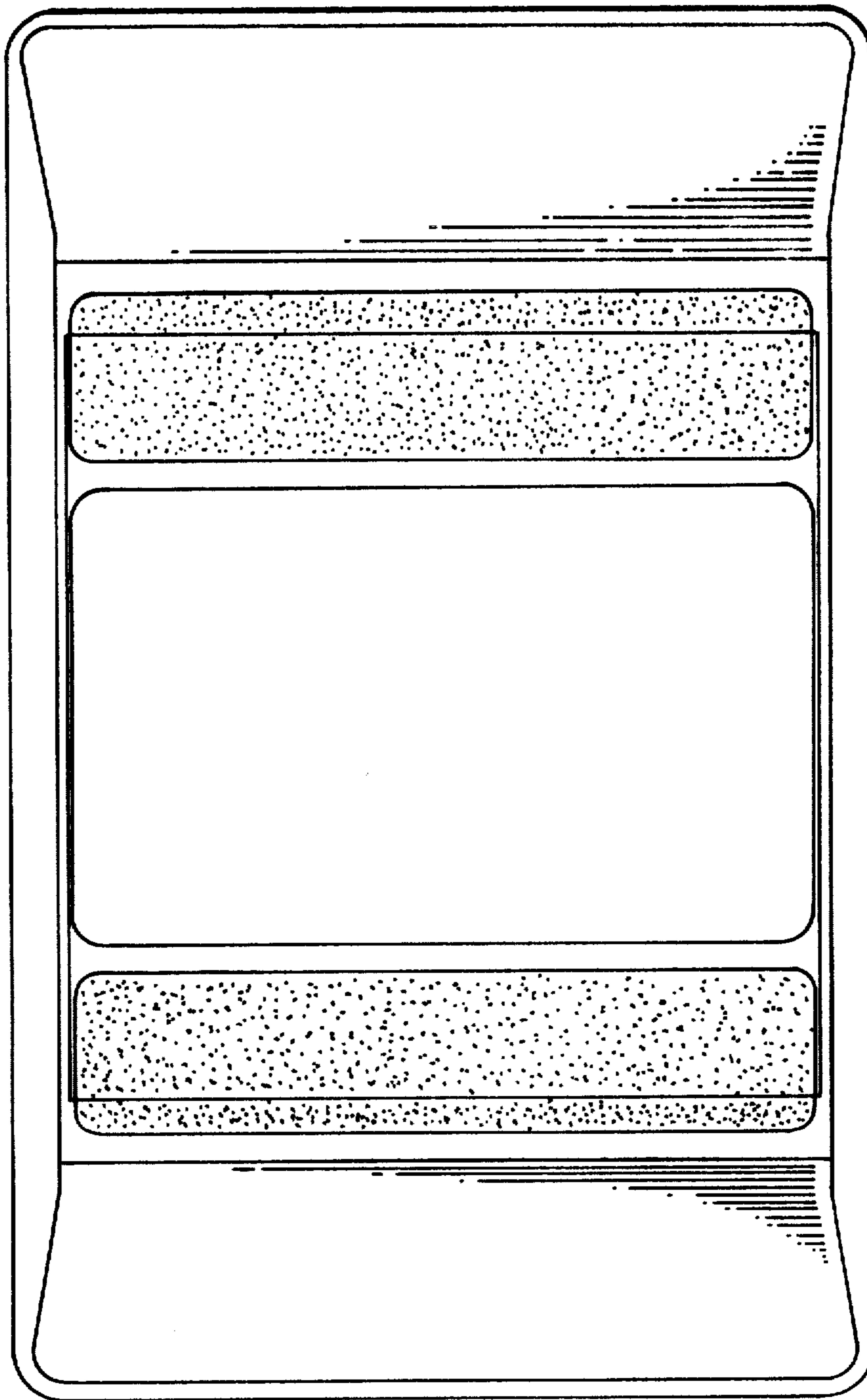


FIG. 5

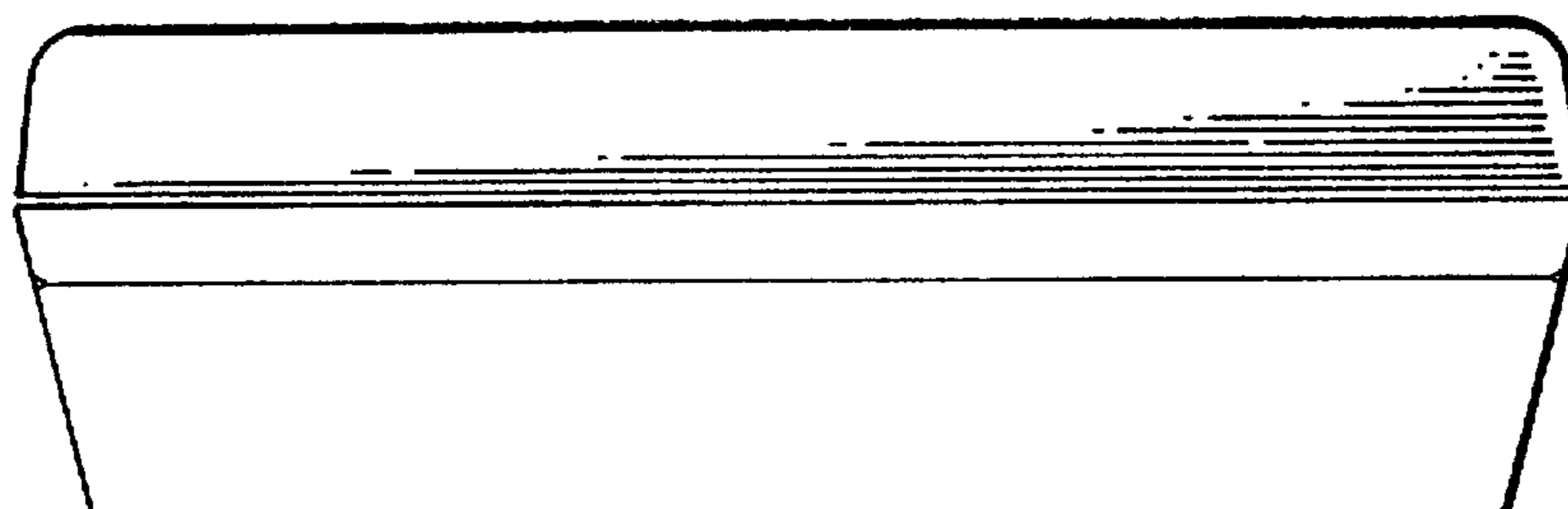


FIG. 4

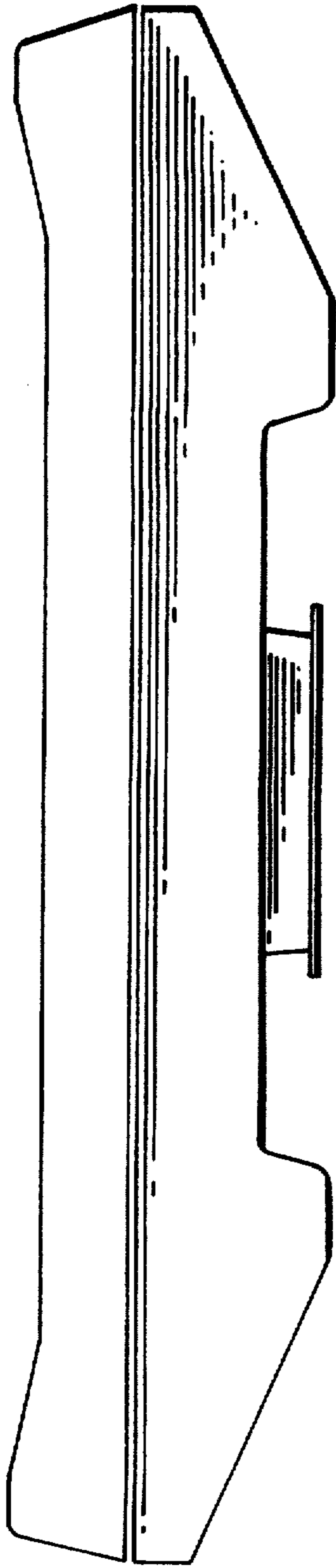


FIG. 6

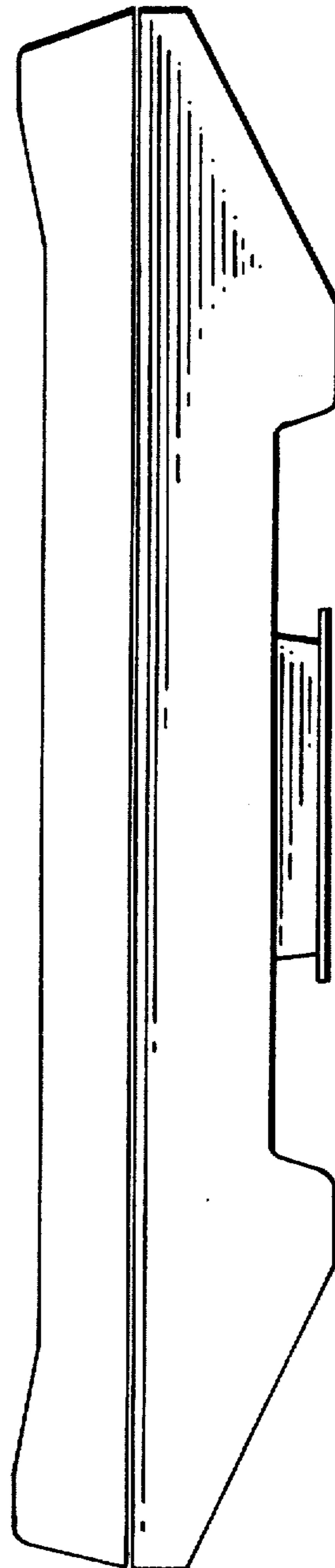


FIG. 7