

[54] EXPANSIBLE COMPACT TELEPHONE

4,232,203 11/1980 Lenaerts 179/103
4,268,721 5/1981 Nielson et al. 179/2 C

[75] Inventor: William G. MacKenzie, Middletown, N.J.

Primary Examiner—Bernard Ansher
Attorney, Agent, or Firm—John T. O'Halloran

[73] Assignee: International Telephone and Telegraph Corporation, New York, N.Y.

[57] CLAIM

[**] Term: 14 Years

The ornamental design for an expansible compact telephone, as shown and described.

[21] Appl. No.: 320,371

DESCRIPTION

[22] Filed: Nov. 12, 1981

Related U.S. Application Data

[62] Division of Ser. No. 70,933, Aug. 29, 1979, Pat. No. Des. 264,465.

[51] Int. Cl. D14-03

[52] U.S. Cl. D14/53; D14/63; D14/64

[58] Field of Search D14/53, 63, 64; 179/103, 100 R, 100 D, 178, 179, 159, 163, 160

FIG. 1 is a front top isometric view of an expansible telephone in a closed position, showing my new design; FIG. 2 is a front top isometric view of the expansible telephone in an expanded position; FIG. 3 is a bottom isometric view of the telephone illustrated in FIG. 1; FIG. 4 is a bottom isometric view of the telephone illustrated in FIG. 2; FIG. 5 is a front top isometric view of a modified form of expansible telephone illustrated in FIG. 1; FIG. 6 is a front top isometric view thereof, in an extended position; FIG. 7 is a bottom plan view of FIG. 5; FIG. 8 is a bottom plan view of FIG. 6; FIG. 9 is a right side elevation in a closed position; FIG. 10 is a right side elevation in an expanded position; FIG. 11 is a front elevation of the telephone; and FIG. 12 is a rear elevation thereof.

[56] References Cited

U.S. PATENT DOCUMENTS

- D. 218,314 8/1970 Tyson D14/64
- D. 234,850 4/1975 Tyson et al. D14/64
- D. 246,784 12/1977 Fukushima et al. D14/53

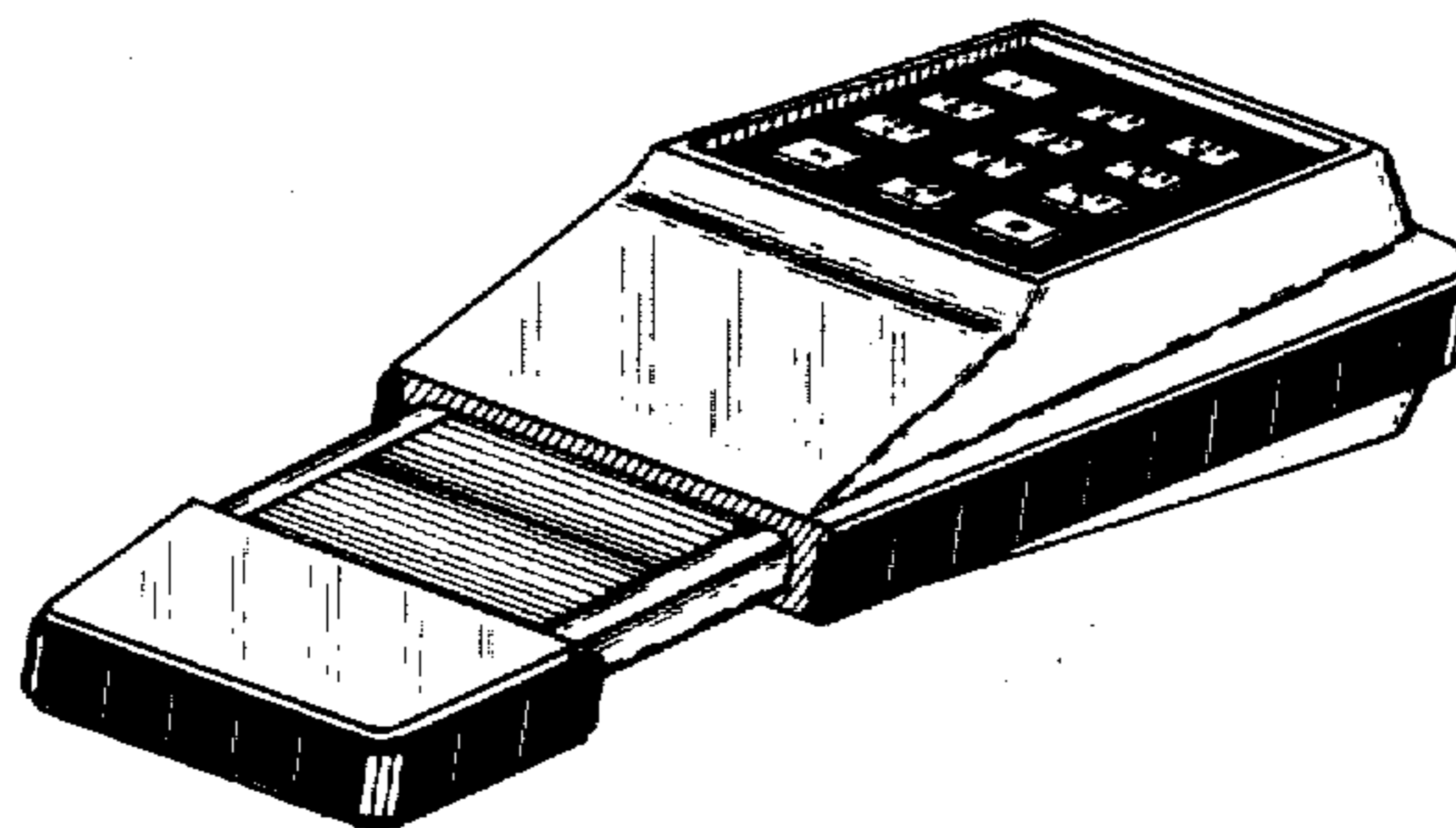
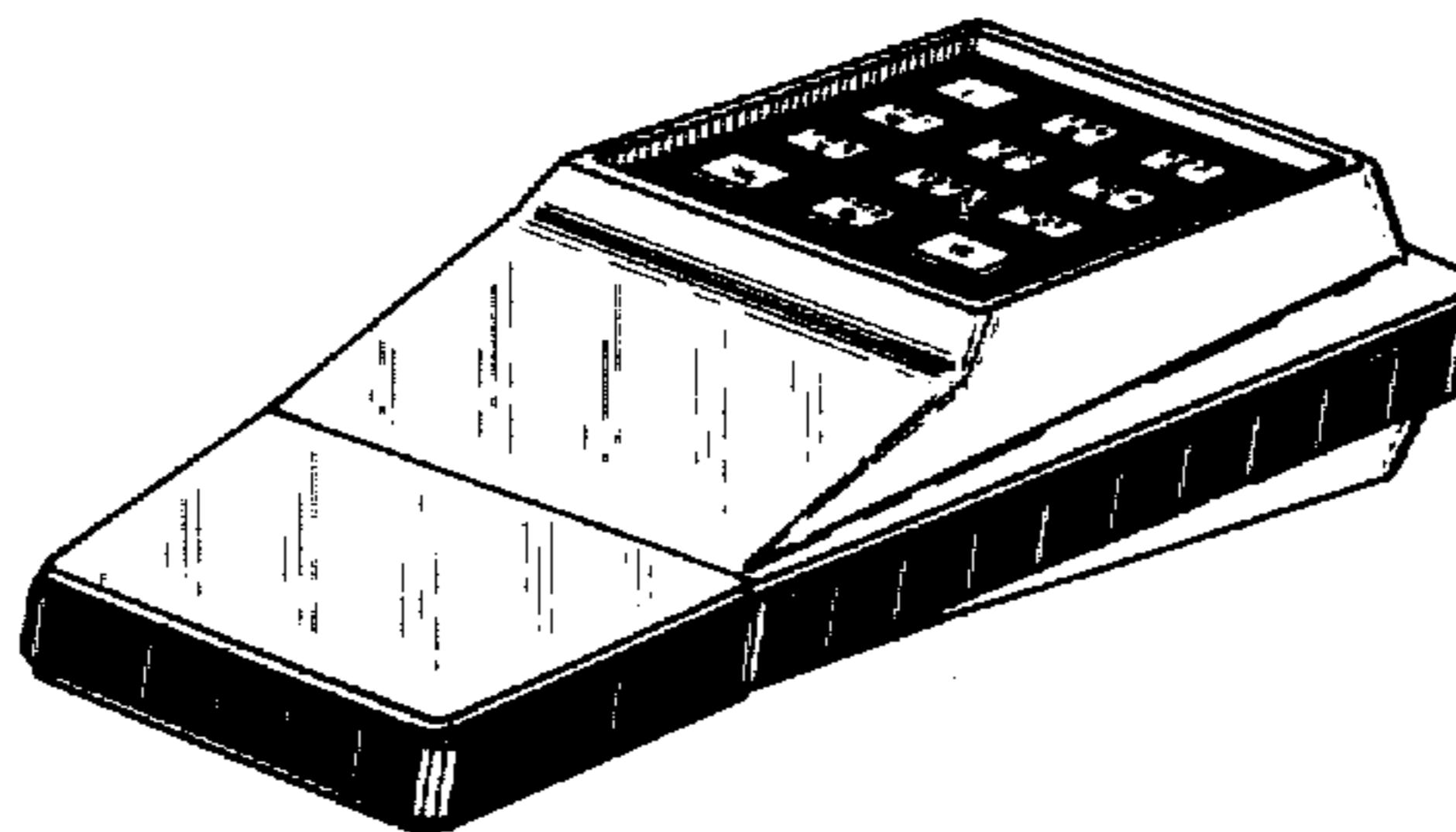


FIG. 1

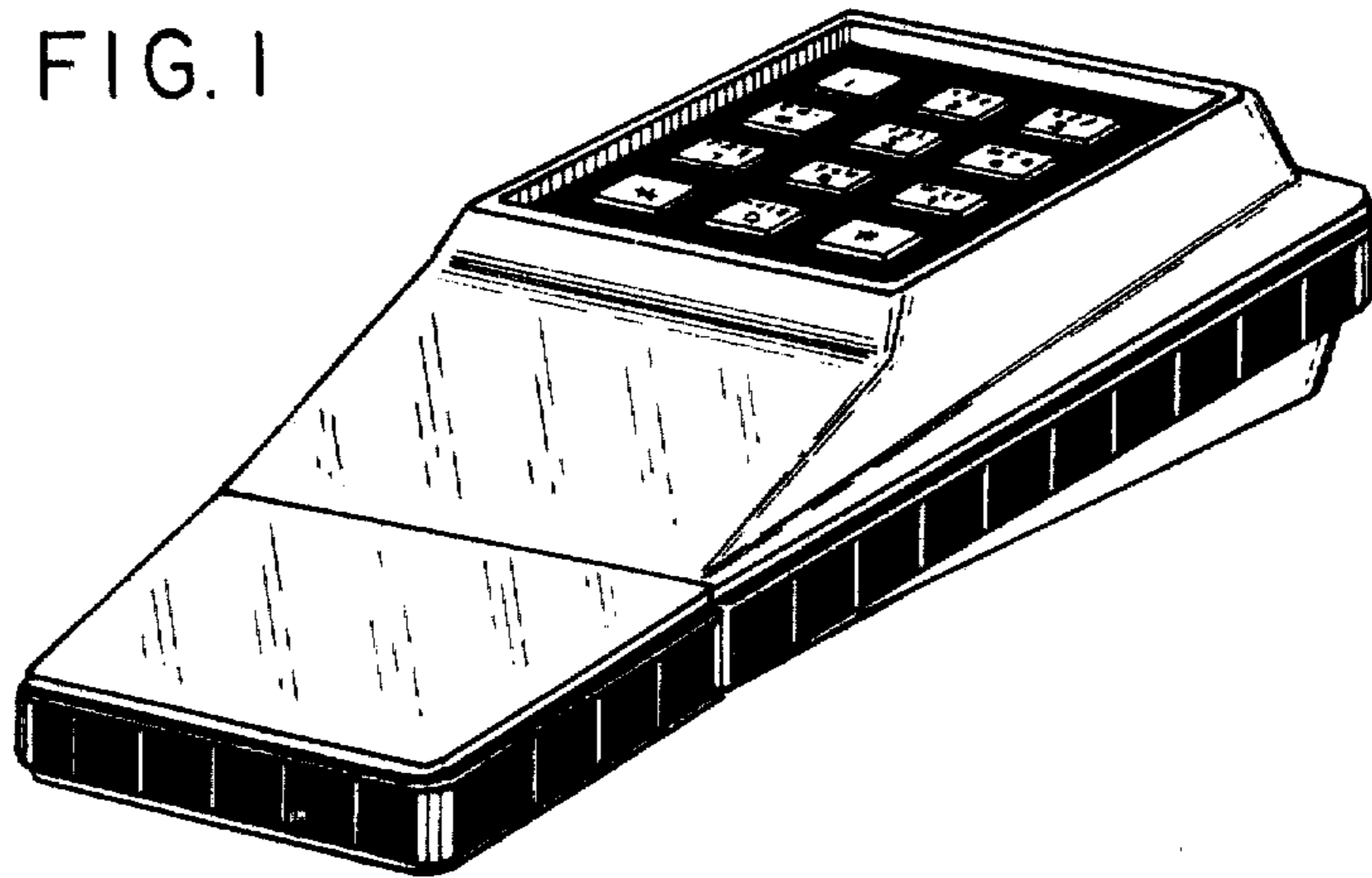


FIG. 2

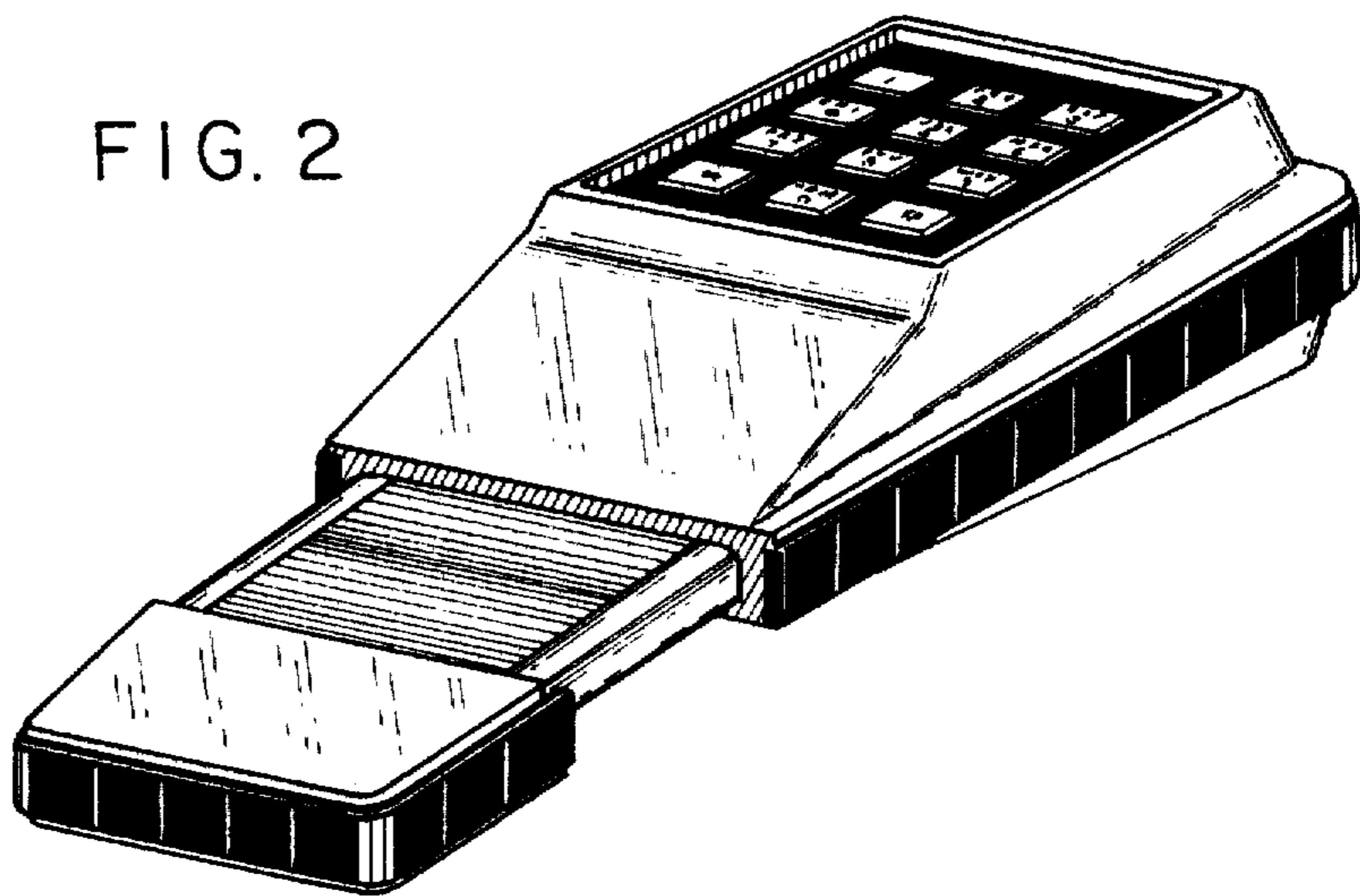


FIG. 3

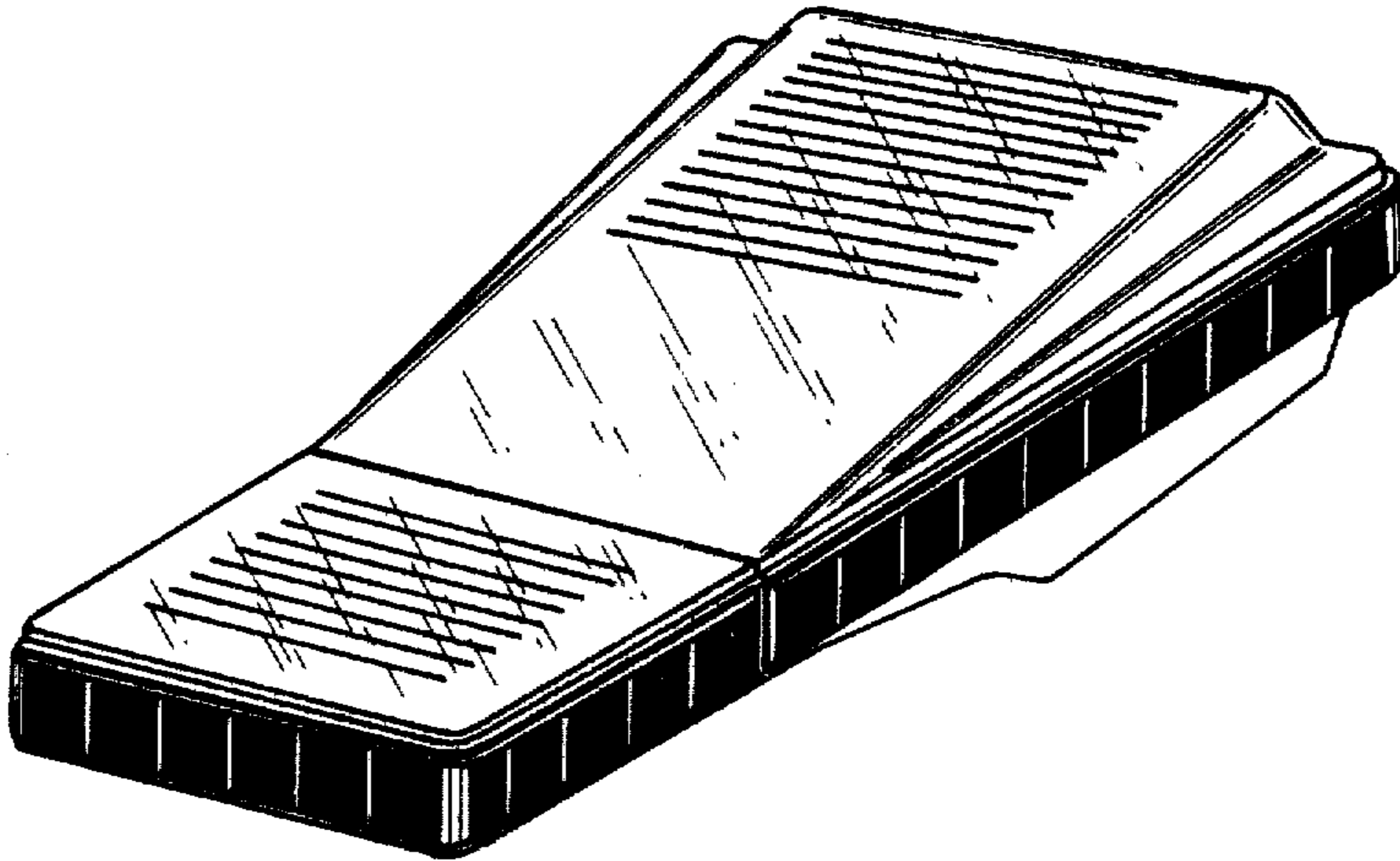
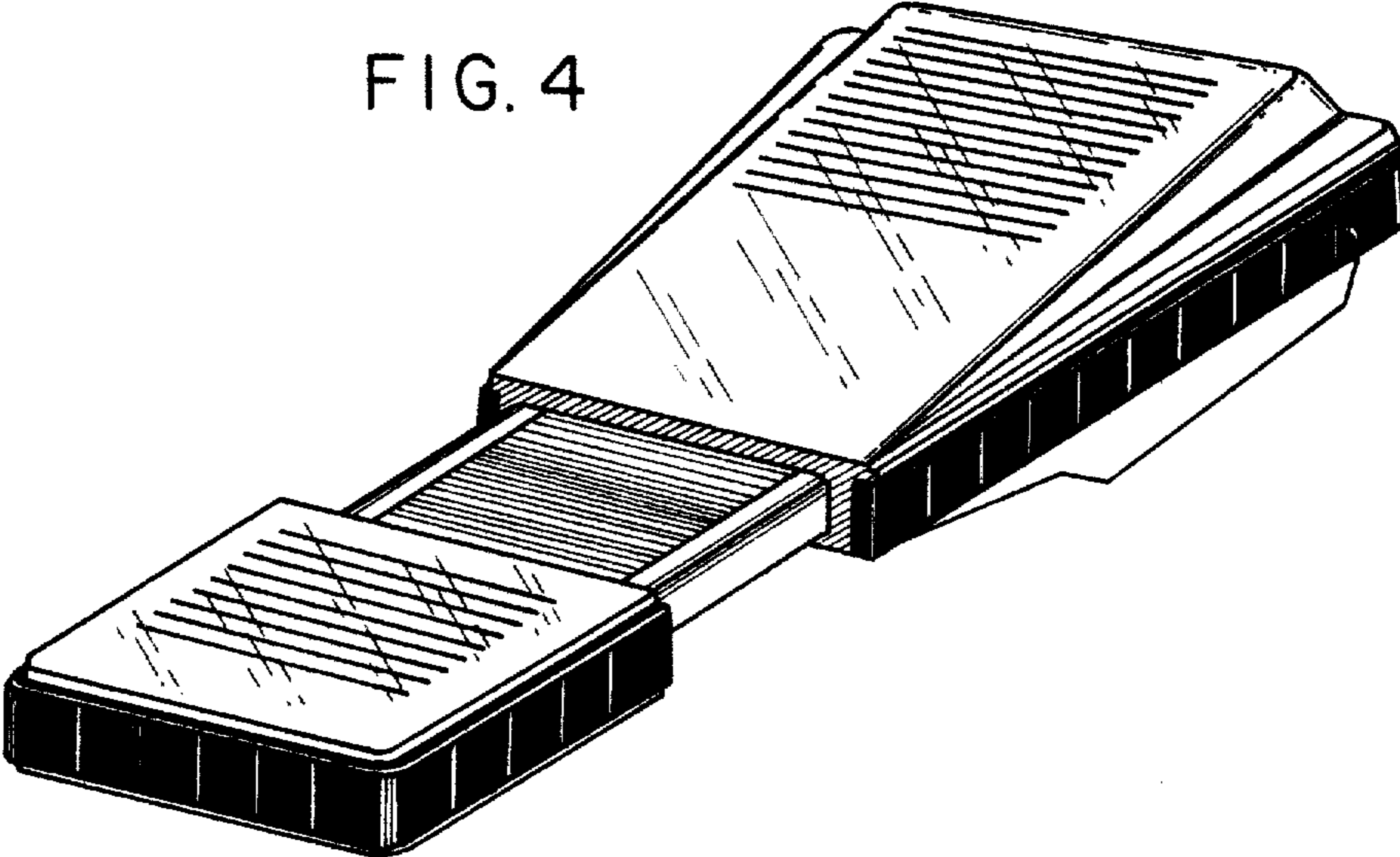


FIG. 4



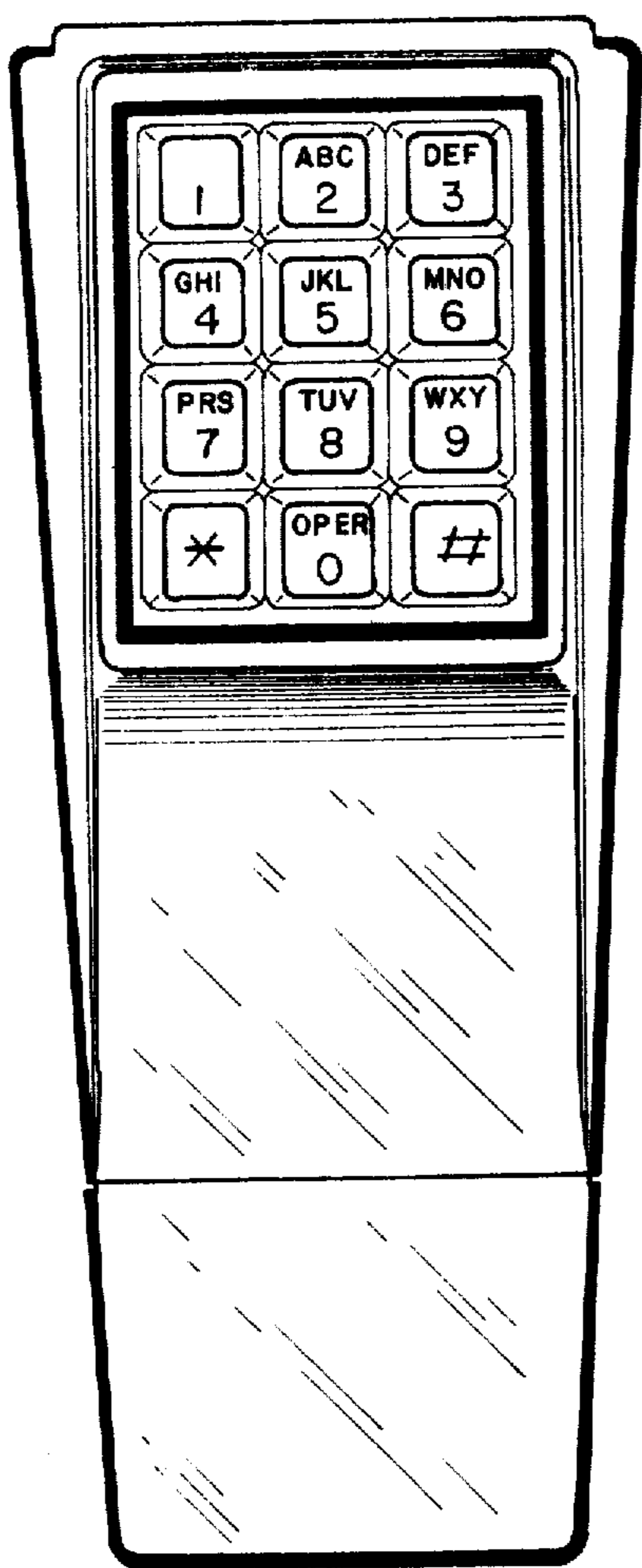


FIG. 5

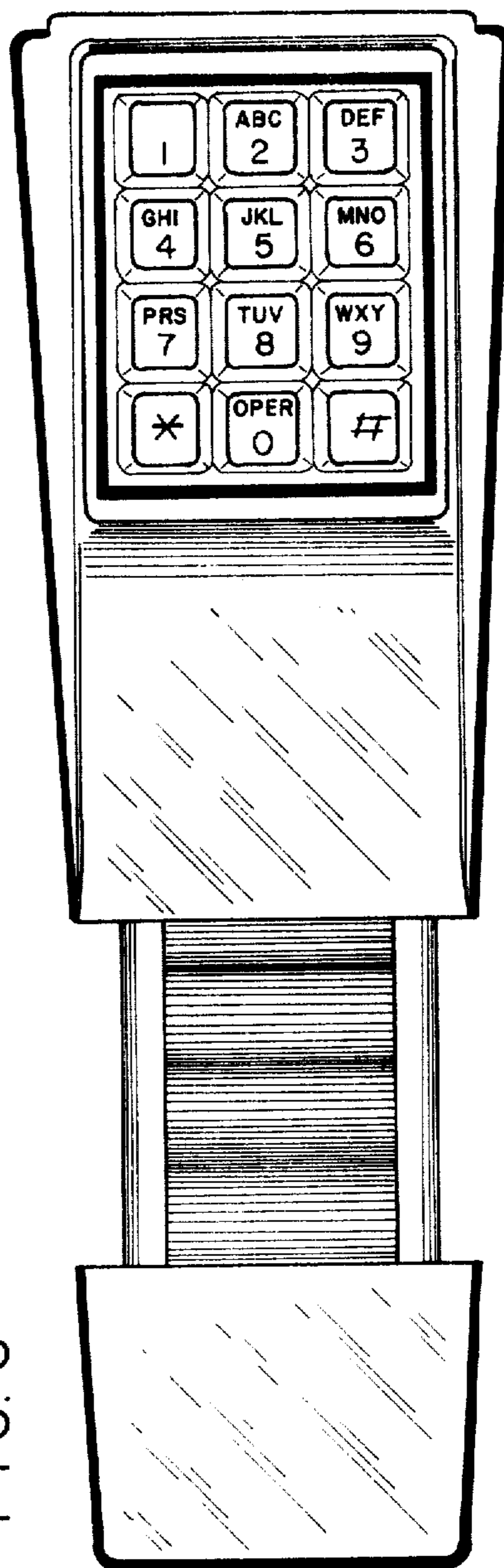


FIG. 6

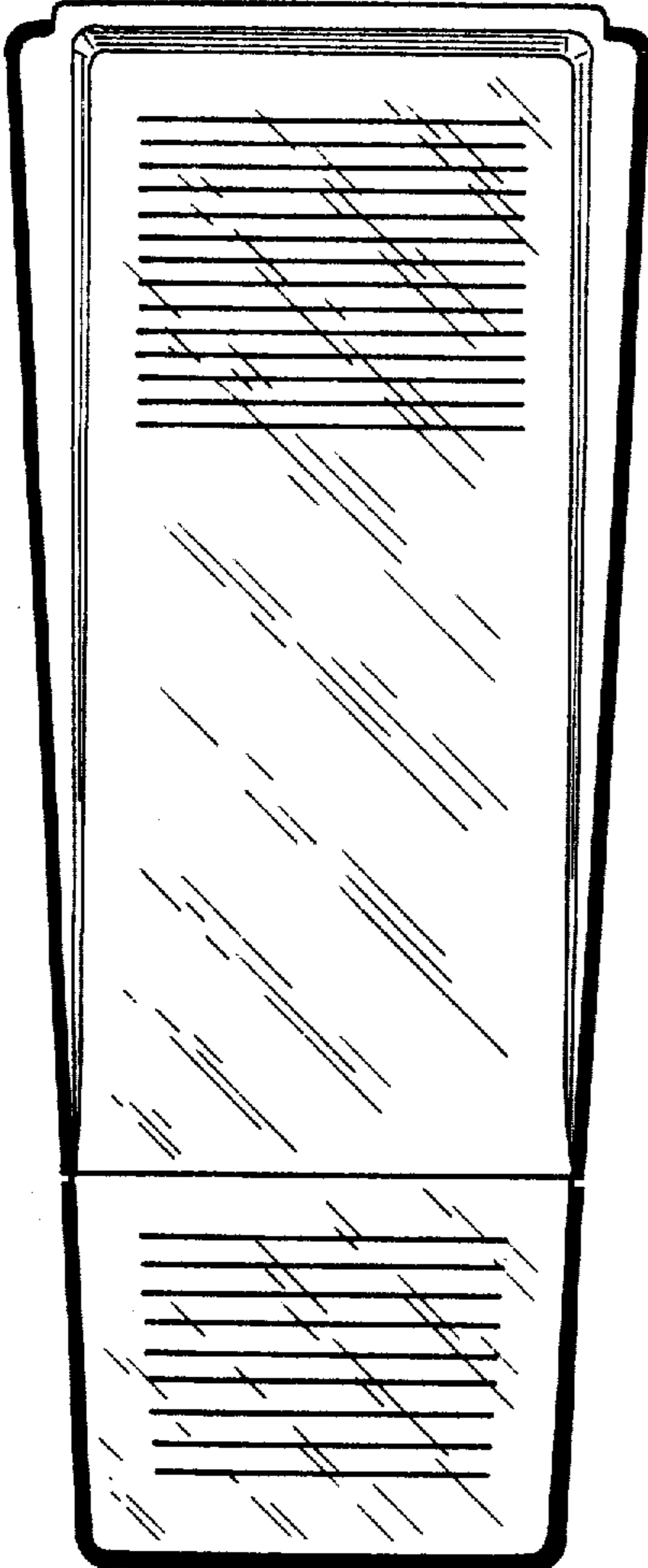


FIG. 7

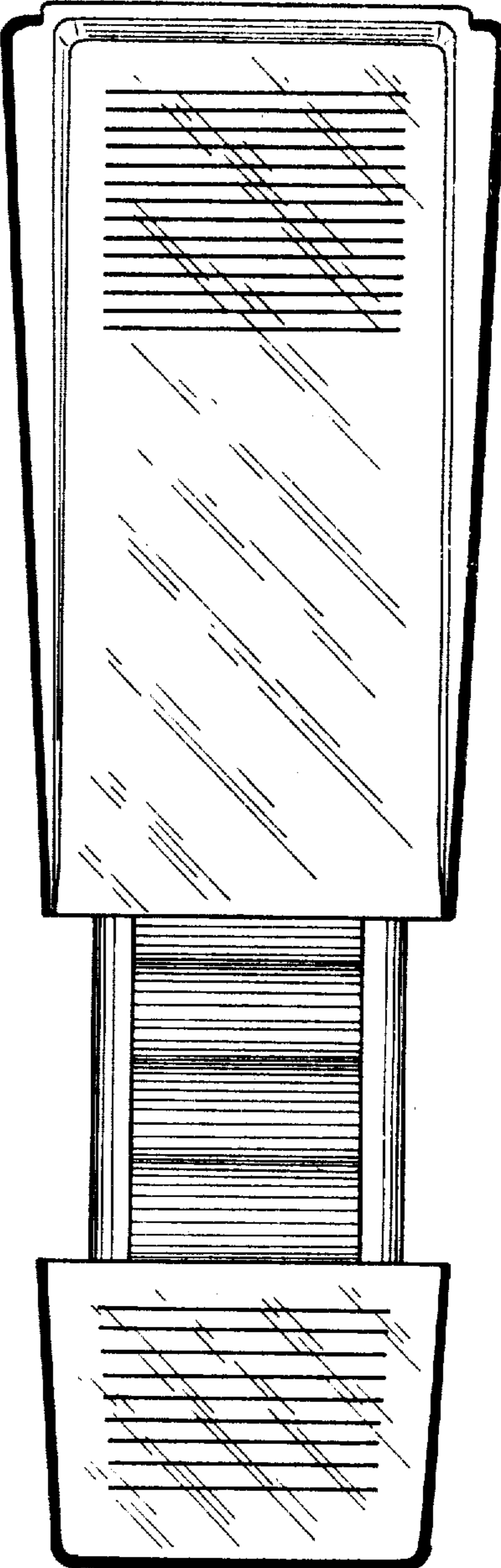


FIG. 8

FIG. 9

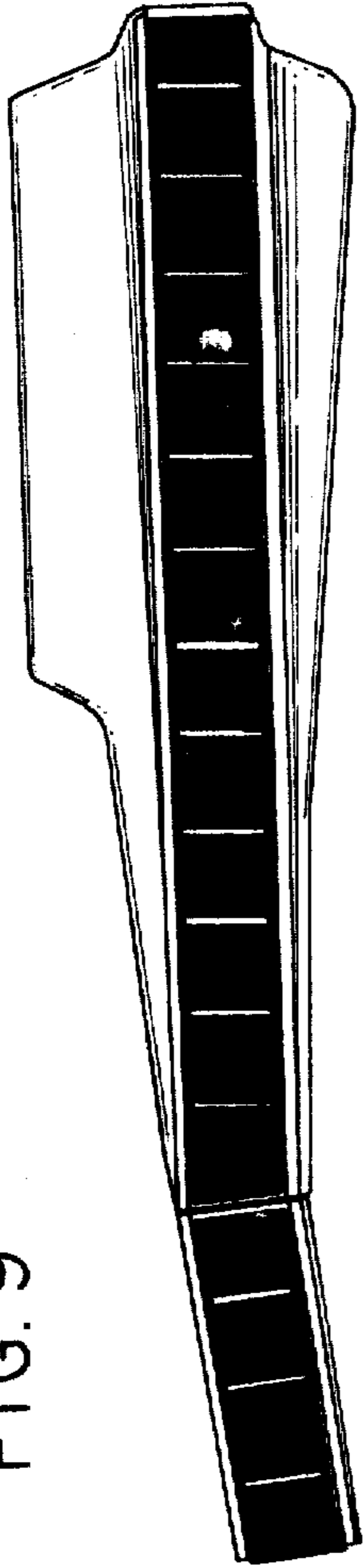


FIG. 10

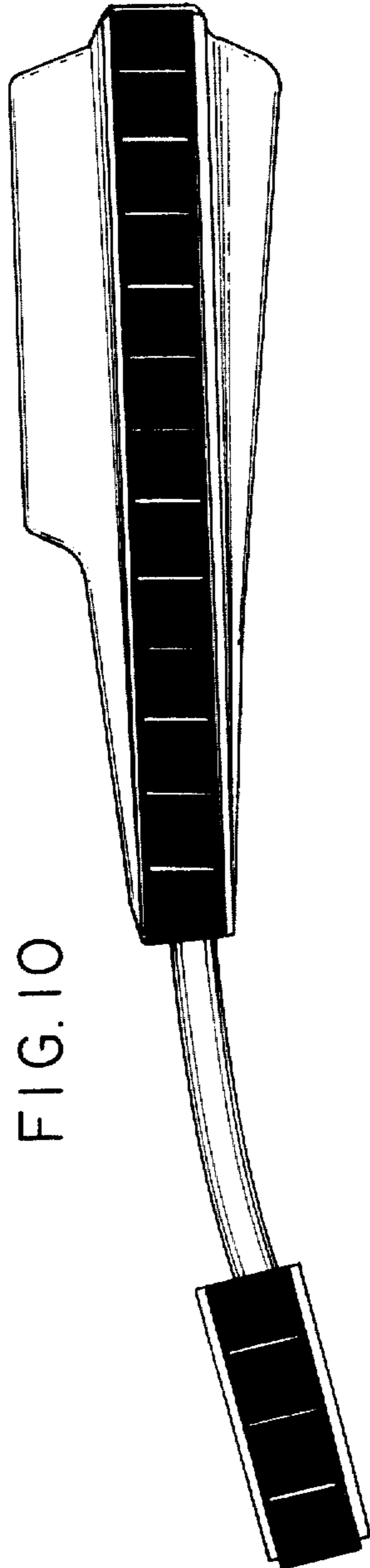


FIG. 11

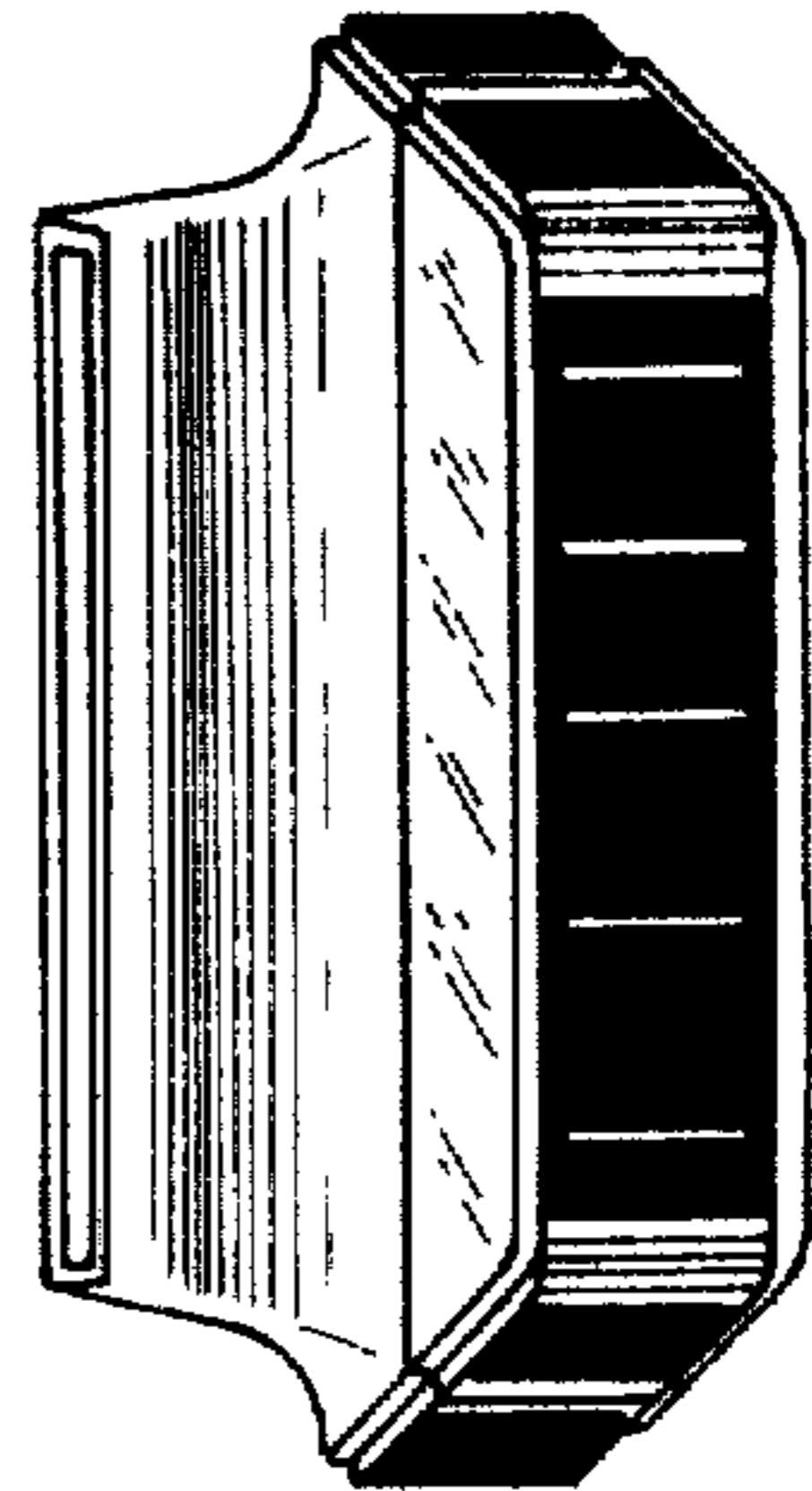


FIG. 12

