

[54] **PENDANT CONTROL STATION**

[75] Inventors: **William D. Penland**, Weaverville;
Jackie C. Sullivan, Asheville, both of
N.C.

[73] Assignee: **Square D Company**, Palatine, Ill.

[**] Term: **14 Years**

[21] Appl. No.: **293,823**

[22] Filed: **Aug. 17, 1981**

[51] Int. Cl. **D13-03**

[52] U.S. Cl. **D13/38**

[58] Field of Search **D13/38, 35, 32, 40,**
D13/12; 200/1 R, 5 R, 5 A, 5 D, 5 E, 6 R, 6 A,
61-67, 157, 155 R, 159 R, 159 B, 293-299, 302,
303

[56] **References Cited**
U.S. PATENT DOCUMENTS
D. 170,648 10/1953 **Mazzola** **D13/38**

D. 189,876 3/1961 **Wolaver** **D13/38**
D. 263,299 3/1982 **Jacobs** **D13/38**
3,654,415 4/1972 **Hawkins et al.** **200/157**
3,749,870 7/1973 **Oakes** **200/157**

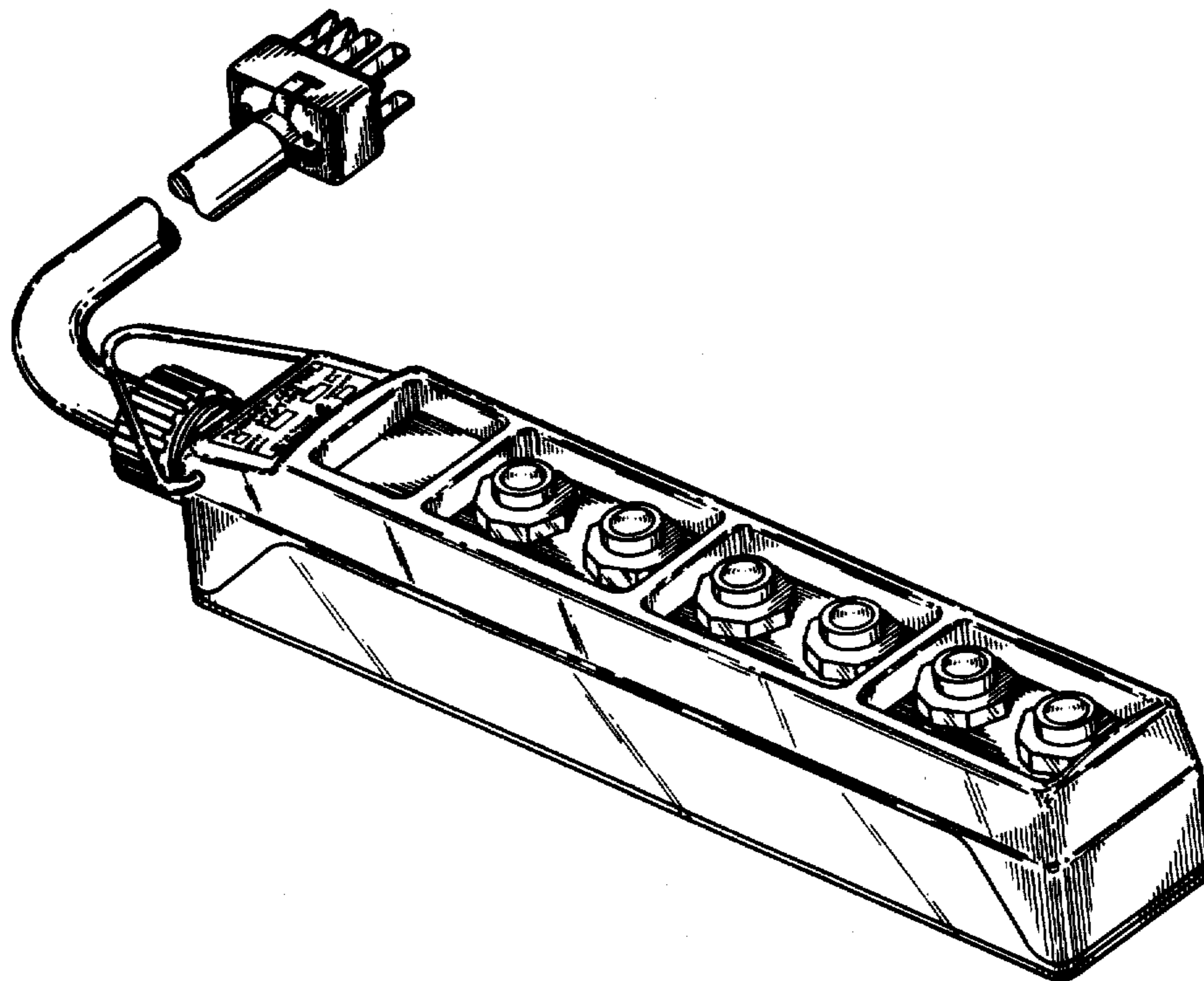
Primary Examiner—Wallace R. Burke
Assistant Examiner—Lynn Wilder
Attorney, Agent, or Firm—Michael J. Femal; Richard T. Guttman

[57] **CLAIM**

The ornamental design for a pendant control station, as shown.

DESCRIPTION

FIG. 1 is a perspective view of a pendant control station showing our new design;
FIG. 2 is a top plan view thereof;
FIG. 3 is a left side elevational view thereof, the other side being a mirror image;
FIG. 4 is a bottom plan view thereof; and
FIG. 5 is an end elevational view thereof.
The broken-away disclosure of the cord in FIGS. 1-4 is to show indeterminate length.



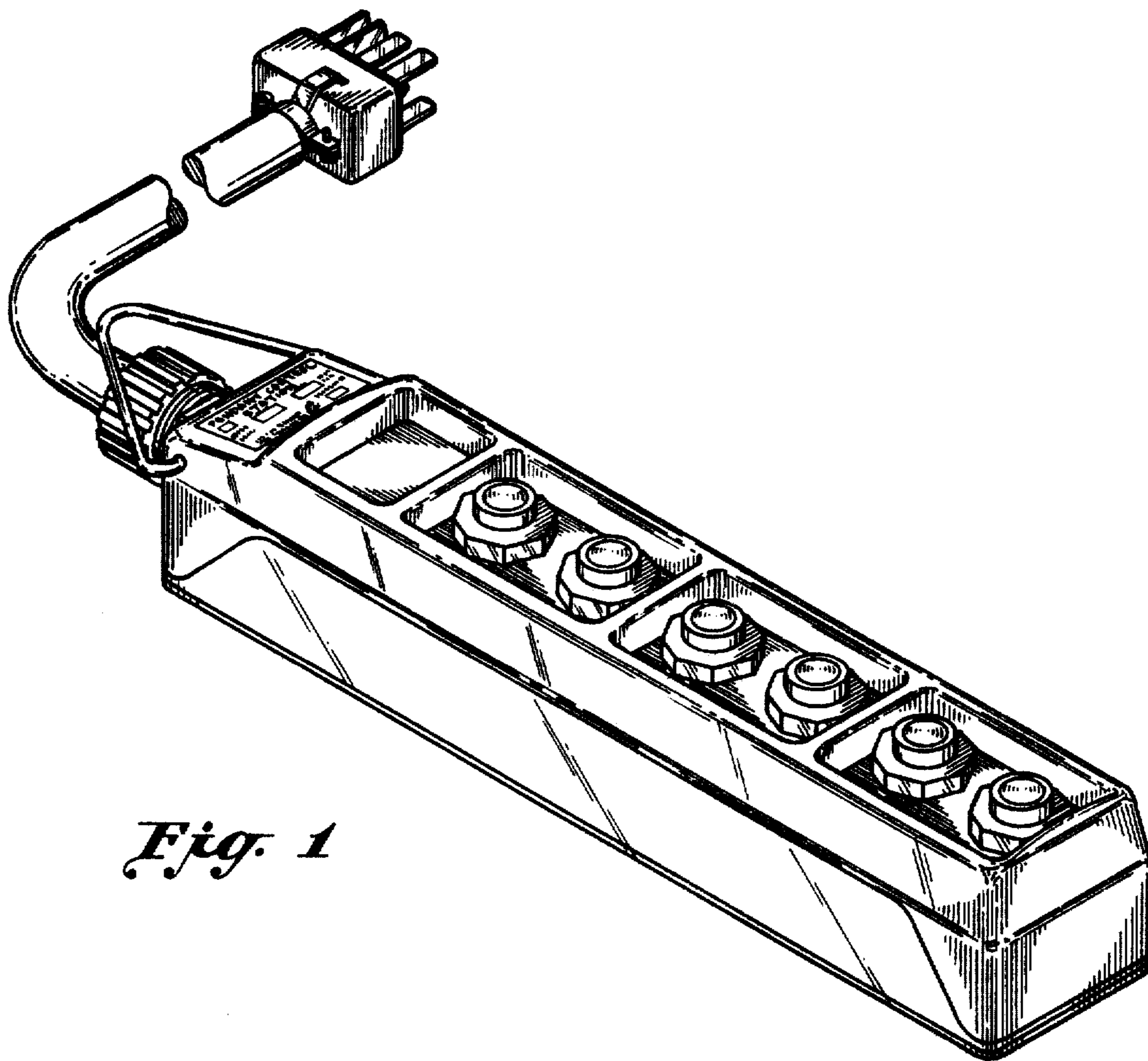


Fig. 1

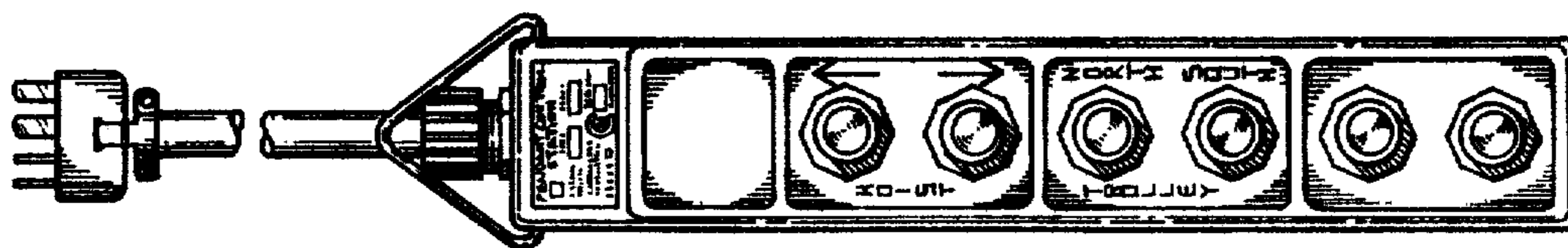


Fig. 2

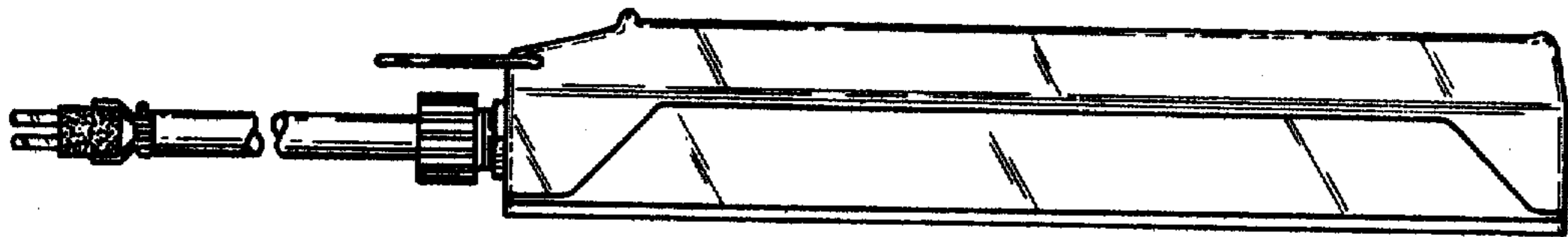


Fig. 3

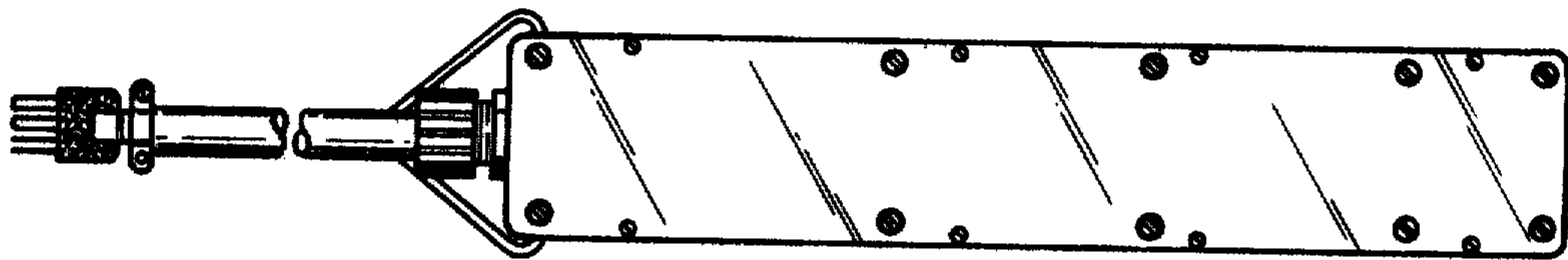


Fig. 4

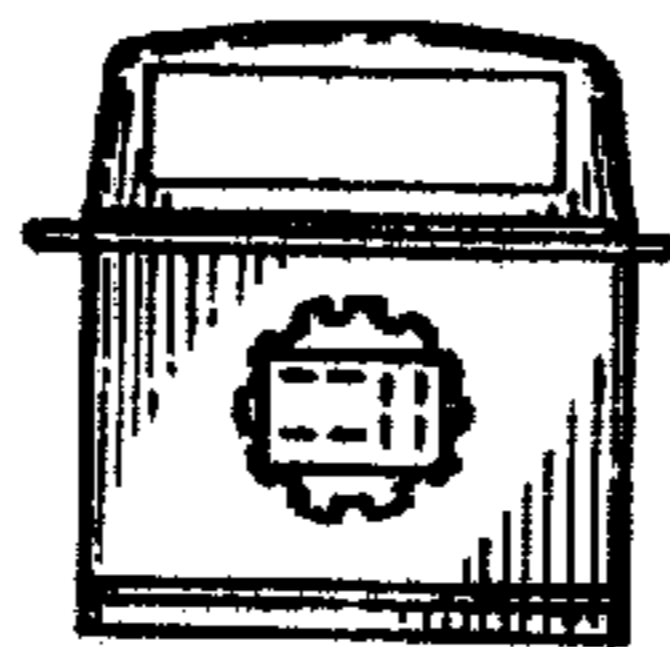


Fig. 5