

[54] TACKLE BOX HOLDER

[76] Inventors: Arthur J. Mondak, 7142 Big Creek Pkwy.; William J. Mondak, 7335 Engle Rd., both of Middleburg Heights, Ohio 44130

[**] Term: 14 Years

[21] Appl. No.: 288,057

[22] Filed: Jul. 29, 1981

[51] Int. Cl. D12-16

[52] U.S. Cl. D12/317; D12/157

[58] Field of Search 224/273, 309, 311, 322, 224/321, 323, 336, 42.11, 275, 42.45 R, 42.42, 926; 211/311.2, 17, 13, 22, 123; D12/317, 156, 157

[56] References Cited

U.S. PATENT DOCUMENTS

2,969,900 1/1961 Heuler 224/42.11 X

3,372,896 3/1968 Myers et al. 224/42.42 R X
3,718,365 2/1973 Gibson D12/317 X
3,776,437 12/1973 Carney 224/42.45 R
4,290,529 9/1981 Jones et al. 248/311.2 X

Primary Examiner—A. Hugo Word
Attorney, Agent, or Firm—Pearne, Gordon, Sessions, McCoy, Granger & Tilberry

[57] CLAIM

The ornamental design for a tackle box holder, as shown and described.

DESCRIPTION

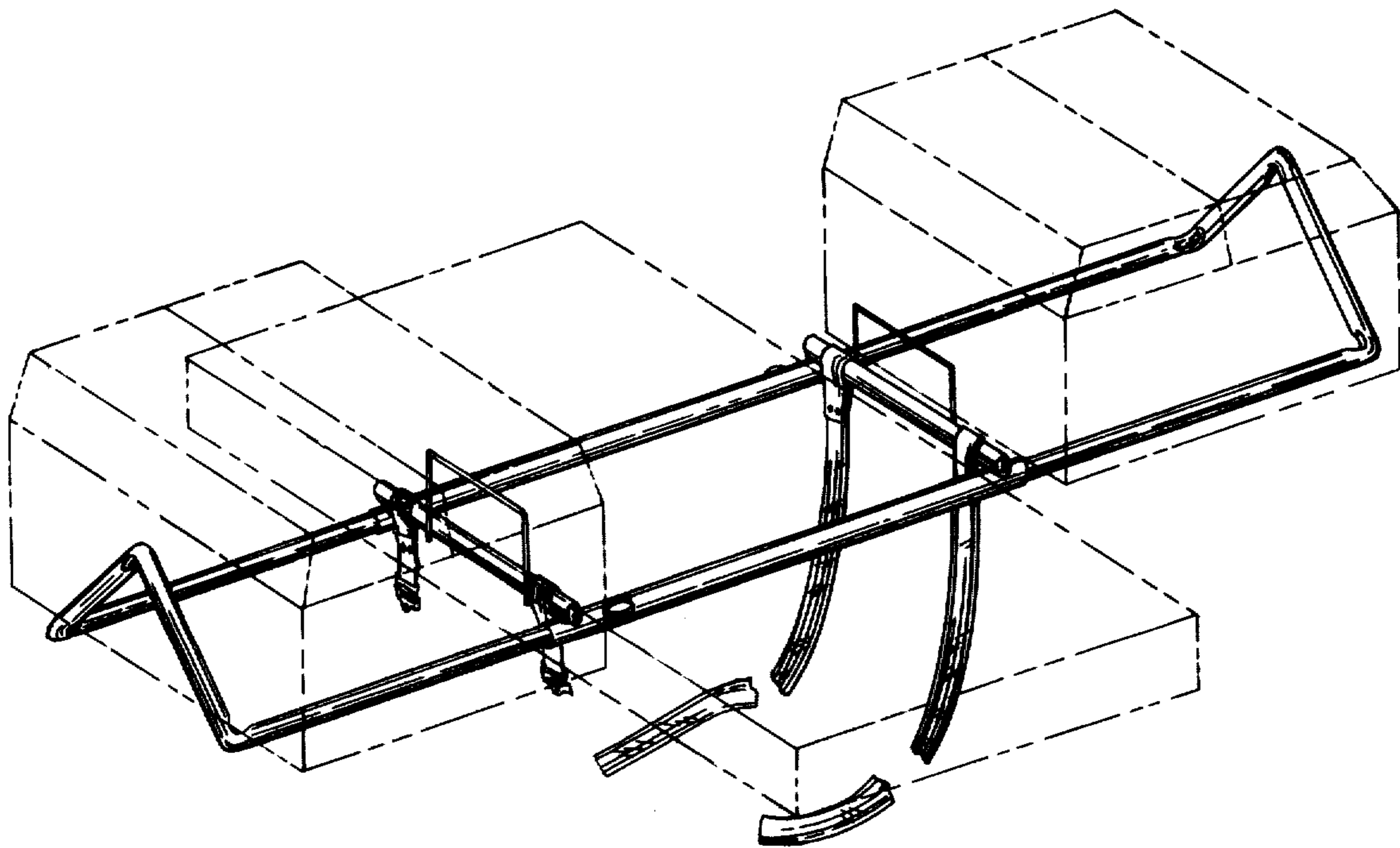
FIG. 1 is a perspective view of a tackle box holder embodying my new design, the holder being mounted to a boat seat and supporting tackle boxes as shown in phantom outline for illustrative purposes only;

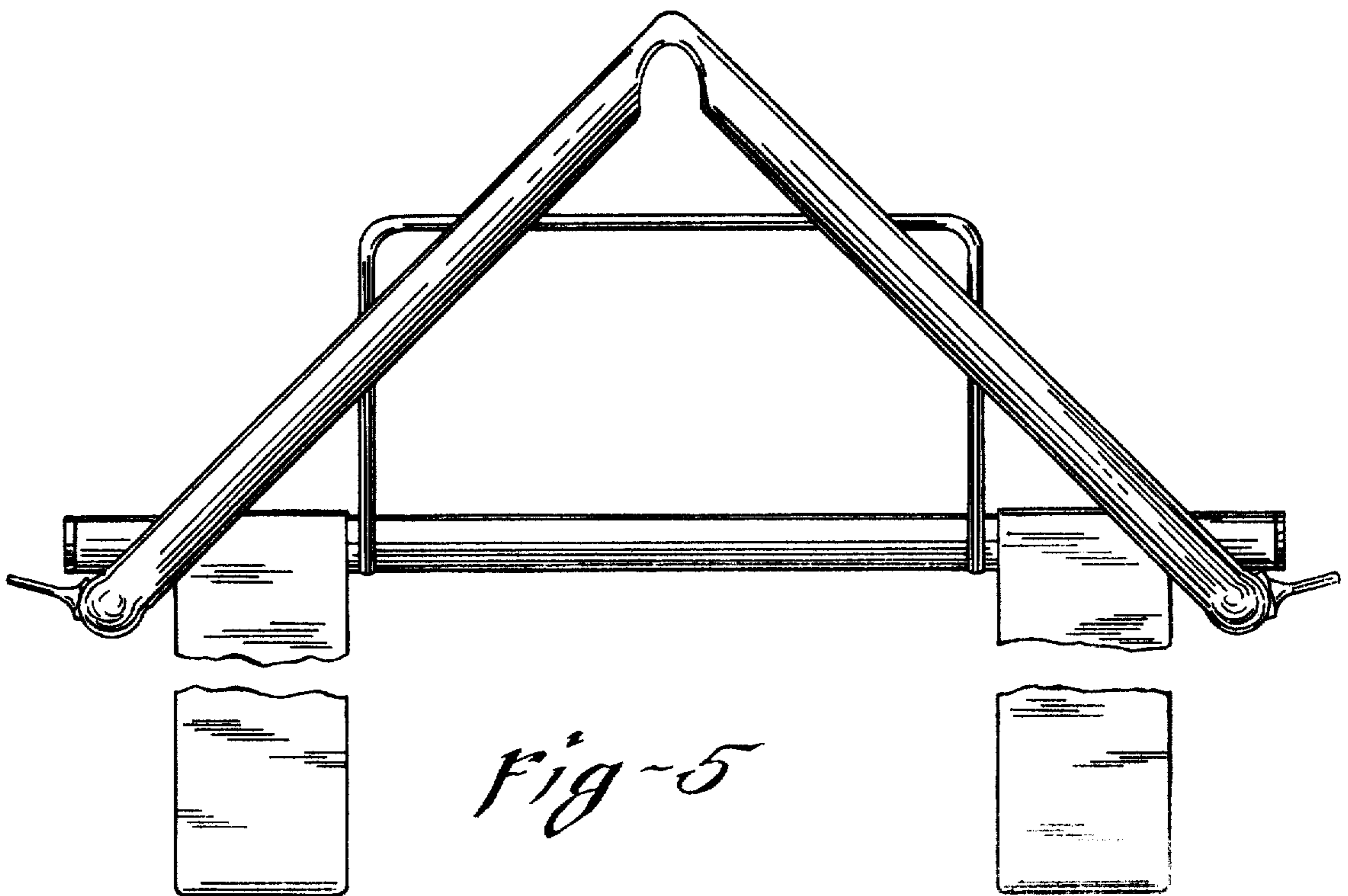
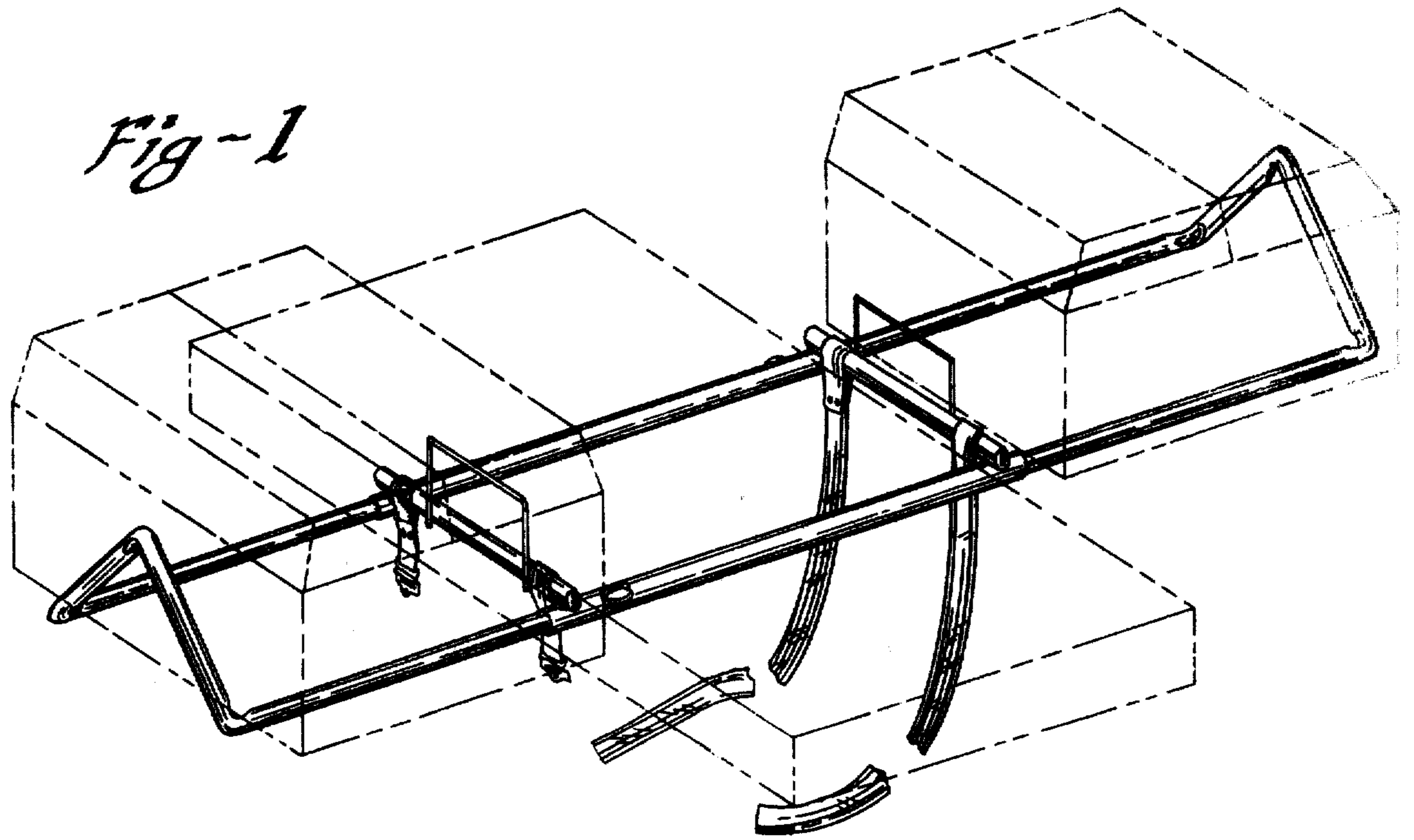
FIG. 2 is a plan view;

FIG. 3 is a front elevational view;

FIG. 4 is a bottom plan view; and

FIG. 5 is a side elevational view.





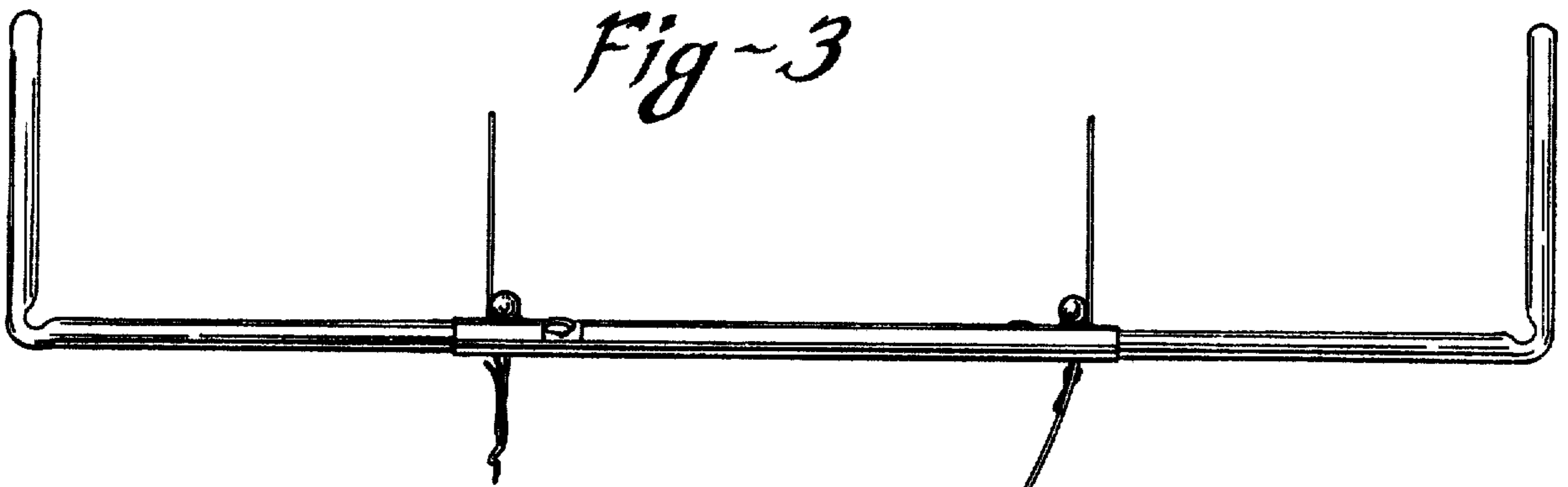


Fig-2

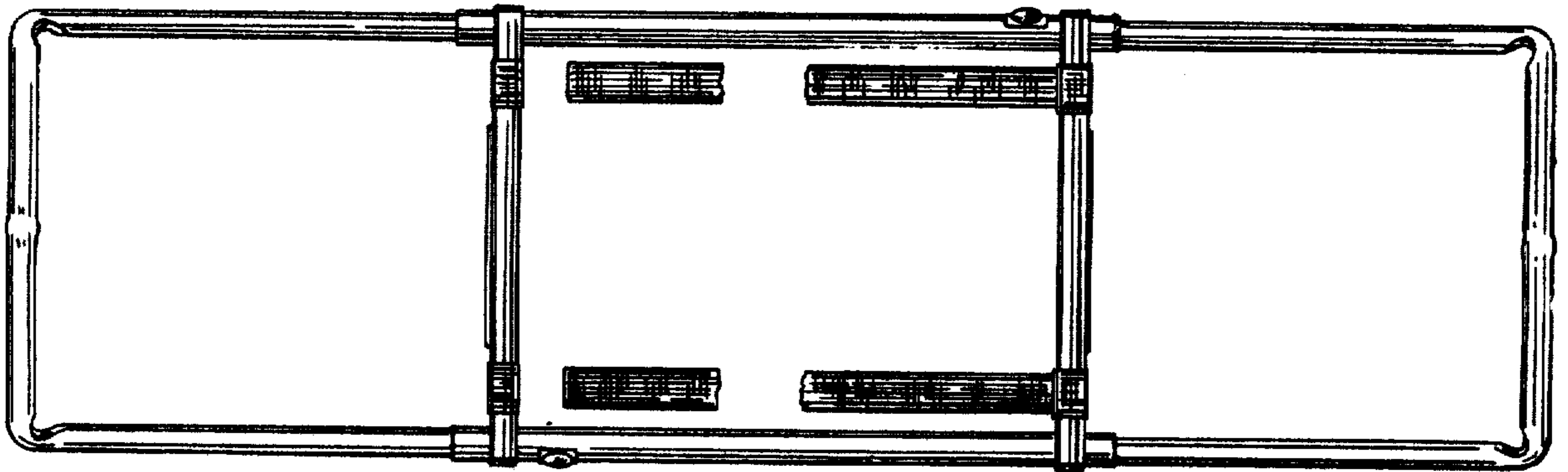


Fig-4

