

- [54] FLORAL DISPLAY SUPPORT
- [75] Inventor: Jack H. Clemmons, Jr., Greensboro, N.C.
- [73] Assignee: KCJ Manufacturing Corp., Greensboro, N.C.
- [**] Term: 14 Years
- [21] Appl. No.: 285,758
- [22] Filed: Jul. 22, 1981
- [51] Int. Cl. D11-02
- [52] U.S. Cl. D11/147; D11/164
- [58] Field of Search D11/143, 146, 147, 164; 47/41 R, 41.12, 41.13, 66

2,815,606 12/1957 Quackenbush 47/41.12
 3,962,825 6/1976 O'Connell 47/41

Primary Examiner—B. J. Bullock

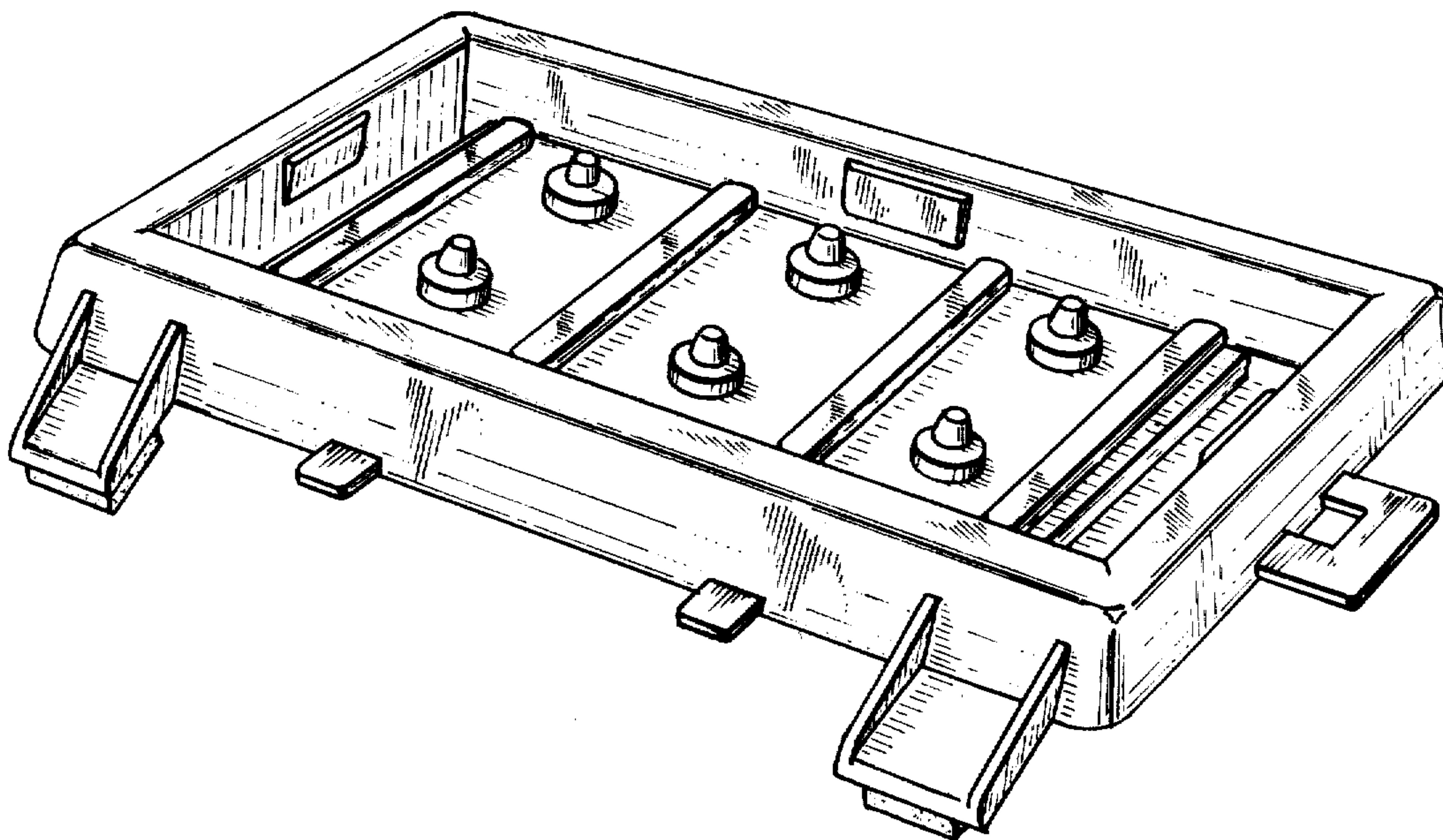
[57] CLAIM

The ornamental design for a floral display support, as shown and described.

DESCRIPTION

FIG. 1 is a perspective view of a floral display support embodying my new design;
 FIG. 2 is a top plan view thereof;
 FIG. 3 is a bottom plan view thereof;
 FIG. 4 is a sectional view taken in the direction of the arrows on line 4—4 of FIG. 2;
 FIG. 5 is a sectional view taken in the direction of the arrows on line 5—5 of FIG. 2;
 FIG. 6 is a perspective view of a second embodiment of the design of FIG. 1, the only differences being the increased length and the arrangement of the upright protrusions.

- [56] **References Cited**
- U.S. PATENT DOCUMENTS**
- D. 110,260 6/1938 Robinson 47/41
- 1,196,312 8/1916 Stuck 47/41.13
- 2,389,447 11/1945 Meadows 47/41.12



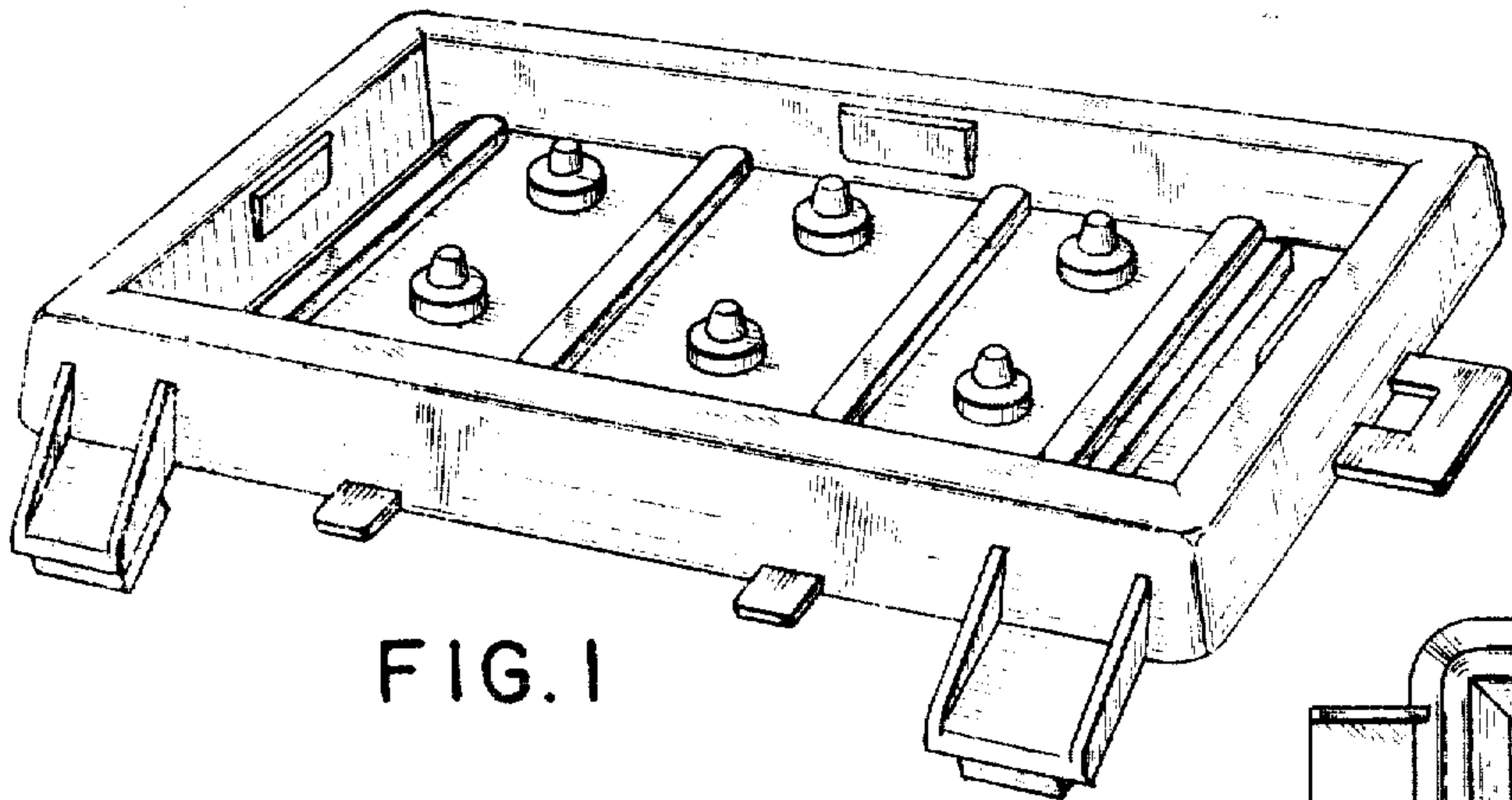


FIG. 1

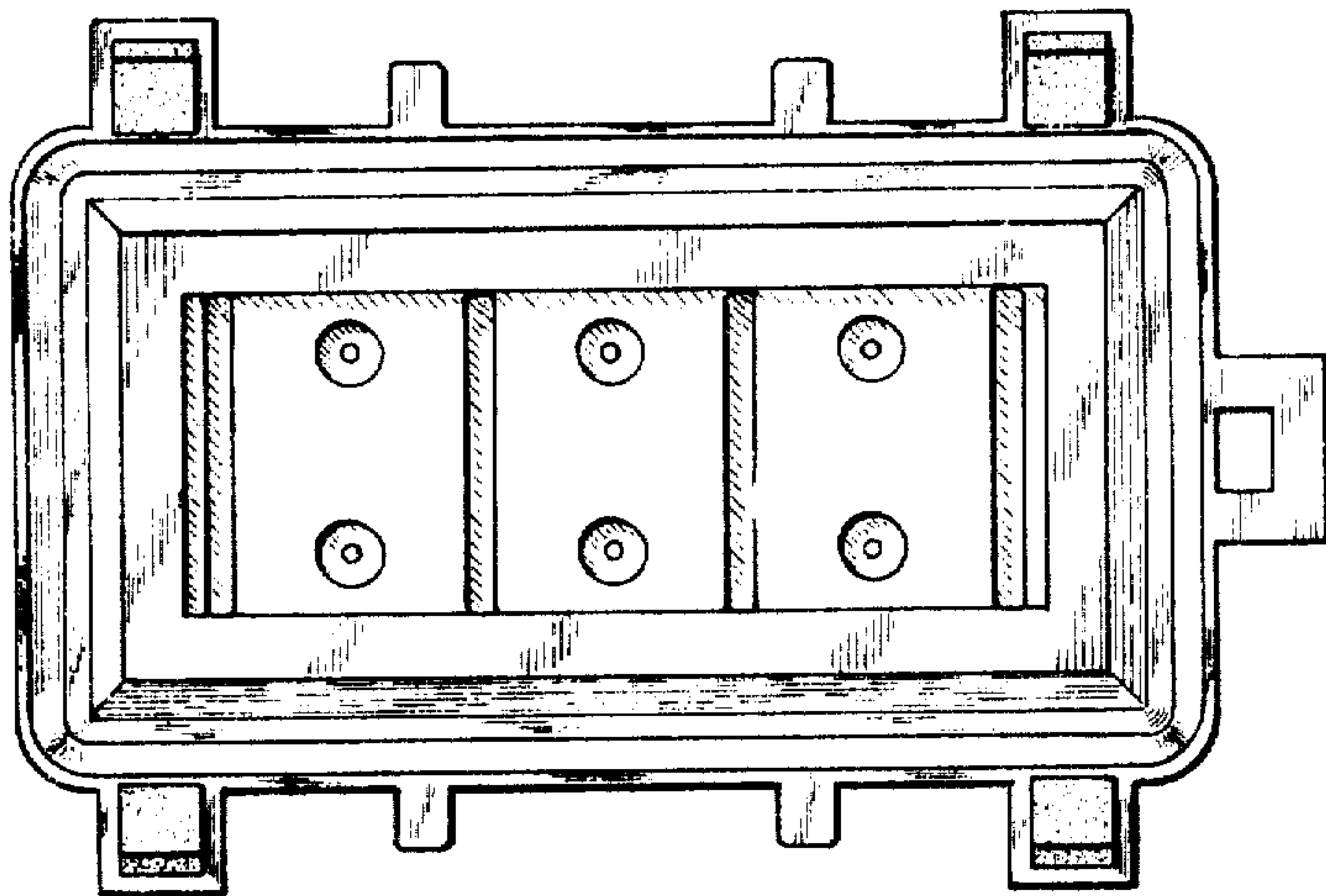


FIG. 3

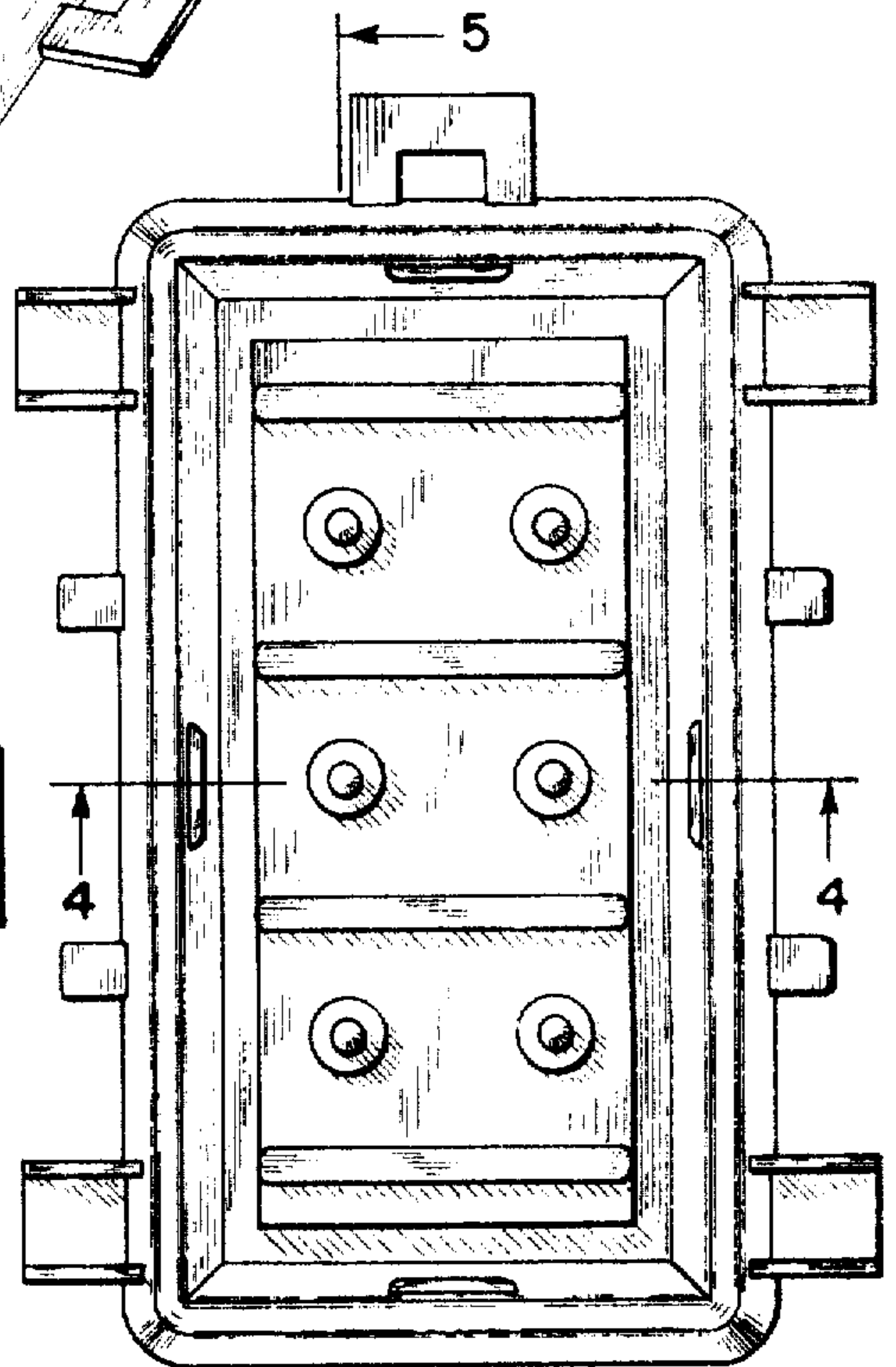


FIG. 2

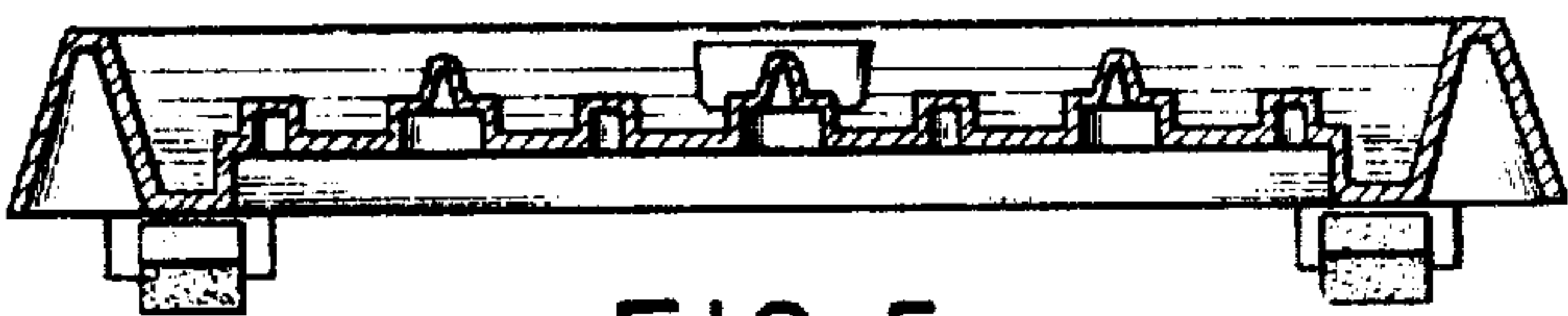


FIG. 5

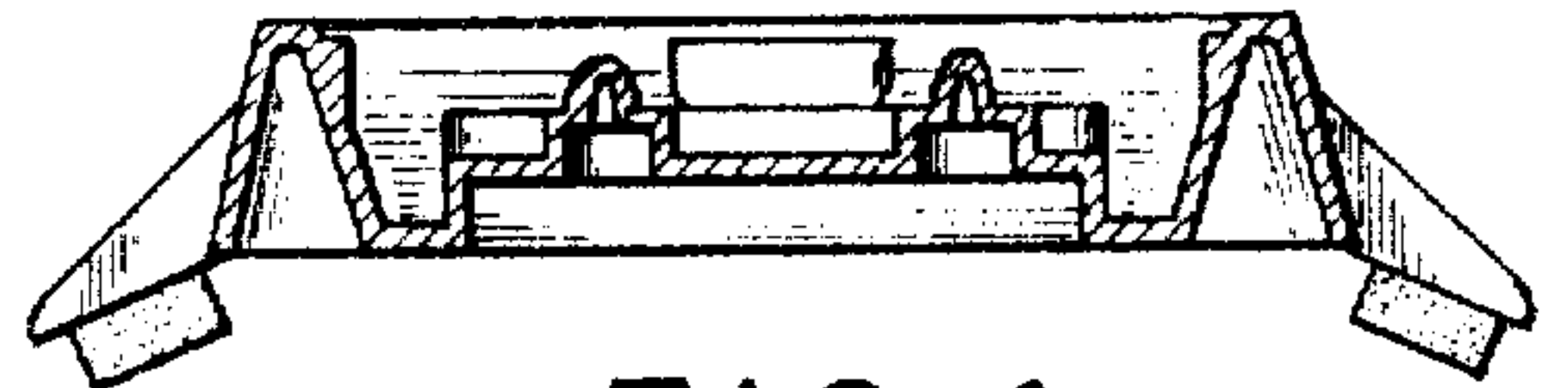


FIG. 4

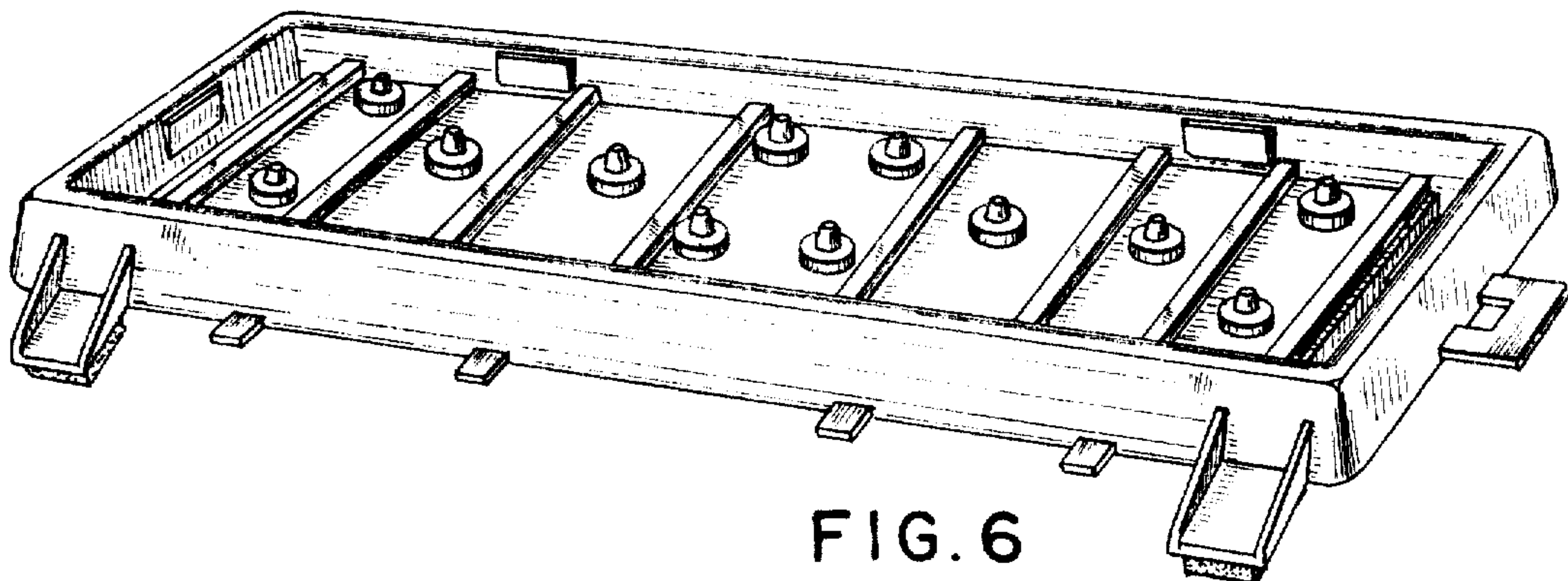


FIG. 6