

- [54] CONTAINER CLOSURE
- [75] Inventor: Donald J. Bainton, Greenwich, Conn.
- [73] Assignee: The Continental Group, Inc., New York, N.Y.
- [**] Term: 14 Years
- [21] Appl. No.: 303,805
- [22] Filed: Sep. 21, 1981
- [51] Int. Cl. D9-07
- [52] U.S. Cl. D9/438; D9/443; D9/449
- [58] Field of Search D9/438, 443, 435, 447, D9/448, 449, 450; 220/269-273; 215/200, 274, 293, 306; 222/546, 534

- 2,844,267 7/1958 Petriccione D9/438 X
- 3,163,337 12/1964 Wilson D9/450 X
- 3,266,659 8/1966 Frankenberg D9/438 X
- 3,273,745 9/1966 Stec D9/438 X
- 3,430,825 3/1969 Wilson D9/450 X

Primary Examiner—Robert C. Spangler
 Attorney, Agent, or Firm—John J. Kowalik; Charles E. Brown

[57] CLAIM

The ornamental design for a container closure, as shown and described.

DESCRIPTION

FIG. 1 is a top perspective view of a container closure showing my new design;
 FIG. 2 is a top plan view on an enlarged scale;
 FIG. 3 is a rear elevational view;
 FIG. 4 is a front elevational view;
 FIG. 5 is a side elevational view;
 FIG. 6 is a bottom plan view;
 FIG. 7 is a cross-sectional view taken substantially on the line 7-7 of FIG. 2; and
 FIG. 8 is a top plan view in open position.

- [56] References Cited
- U.S. PATENT DOCUMENTS
- D. 252,984 9/1979 Moeller D9/453 X
- D. 263,805 4/1982 Seager D9/453 X
- D. 268,484 4/1983 Morris D9/443

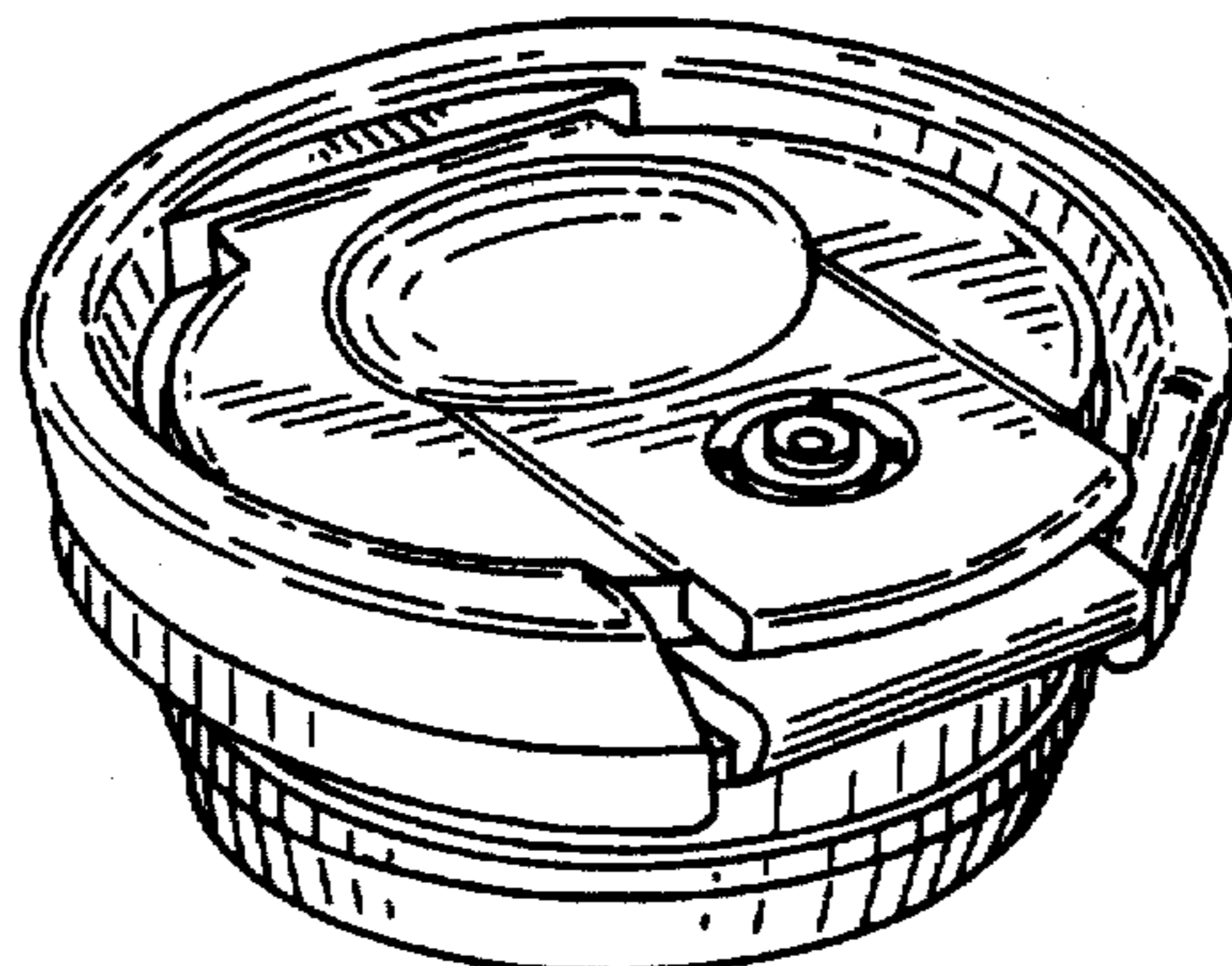


FIG-1-

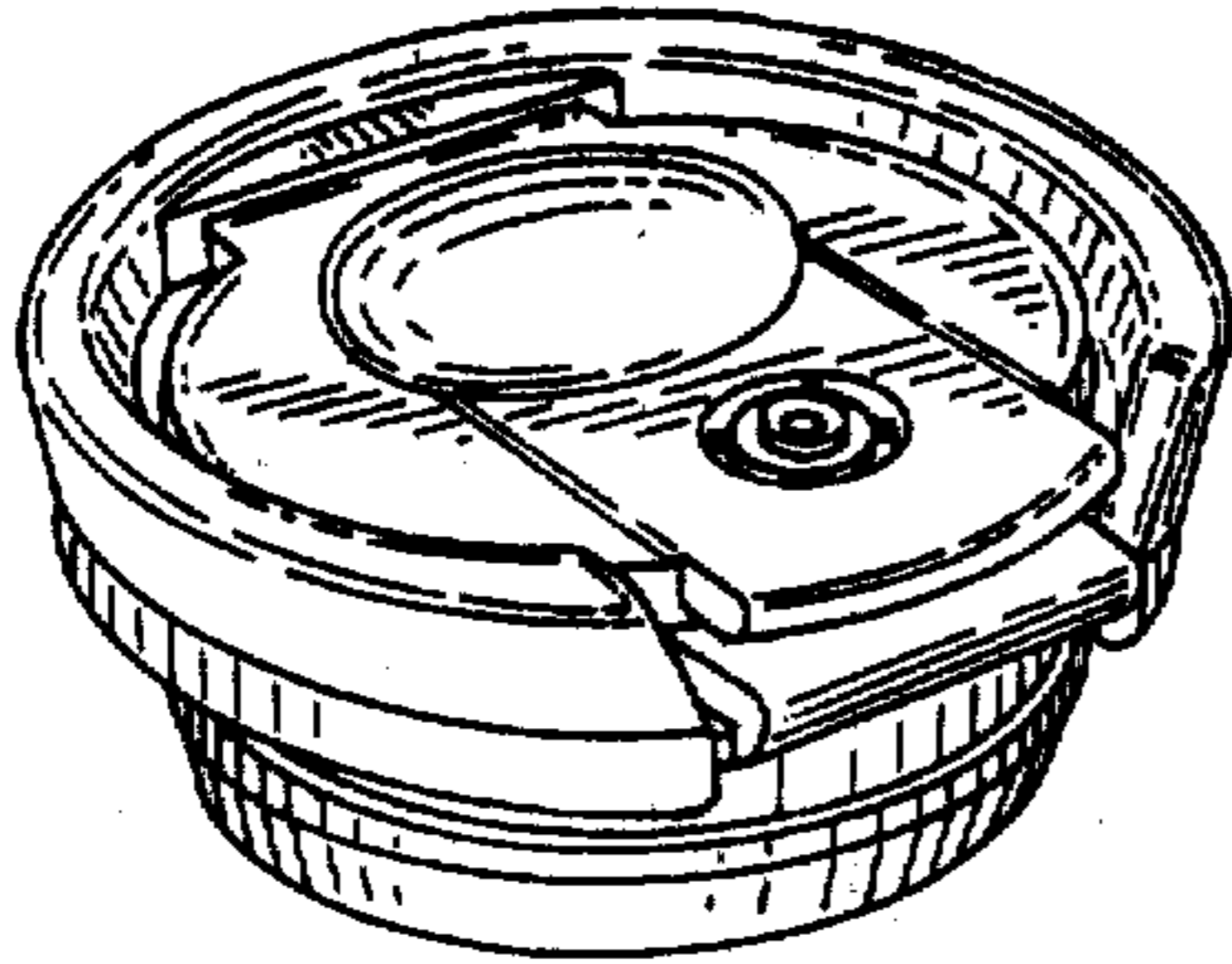


FIG-2-

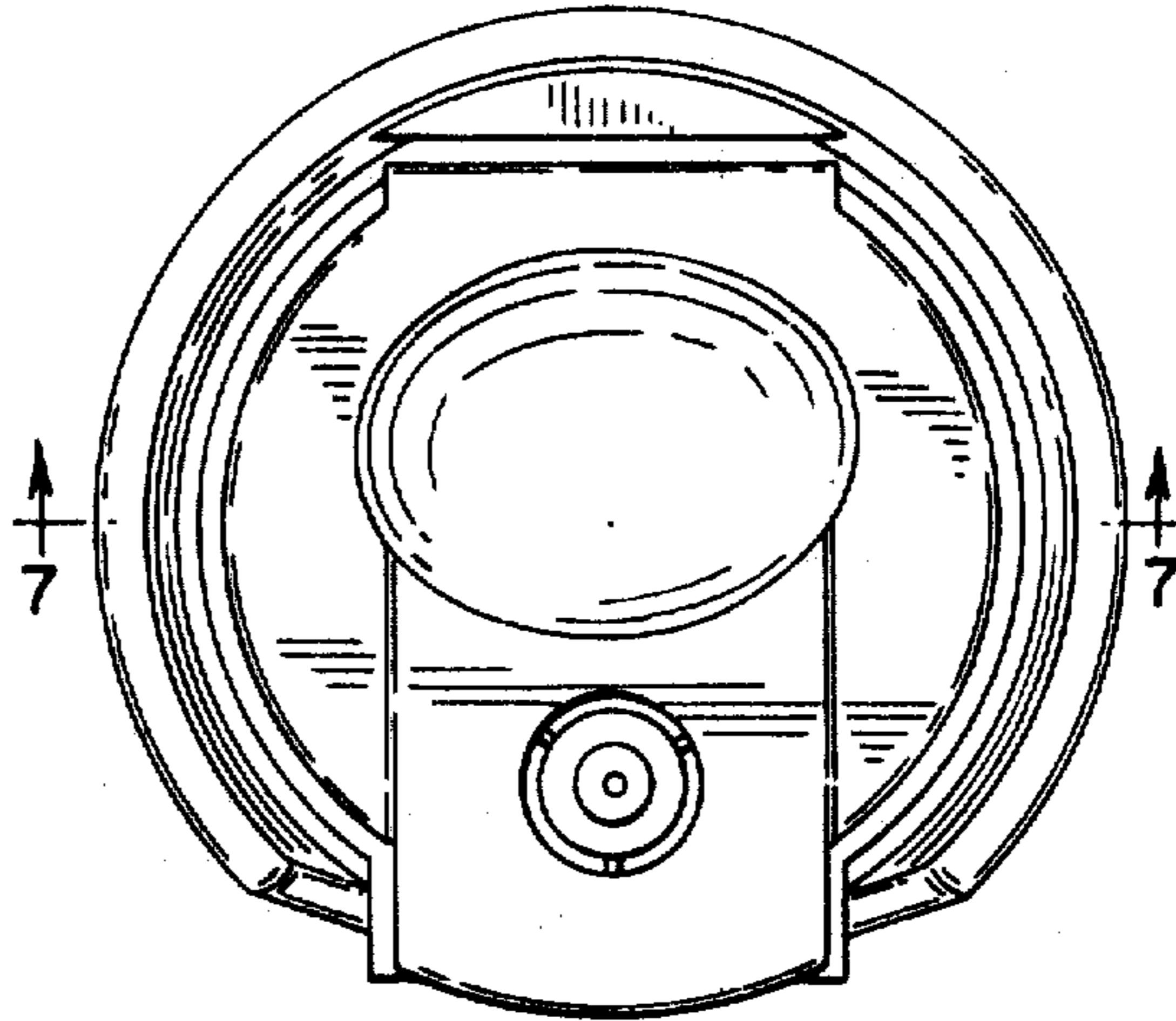


FIG-3-

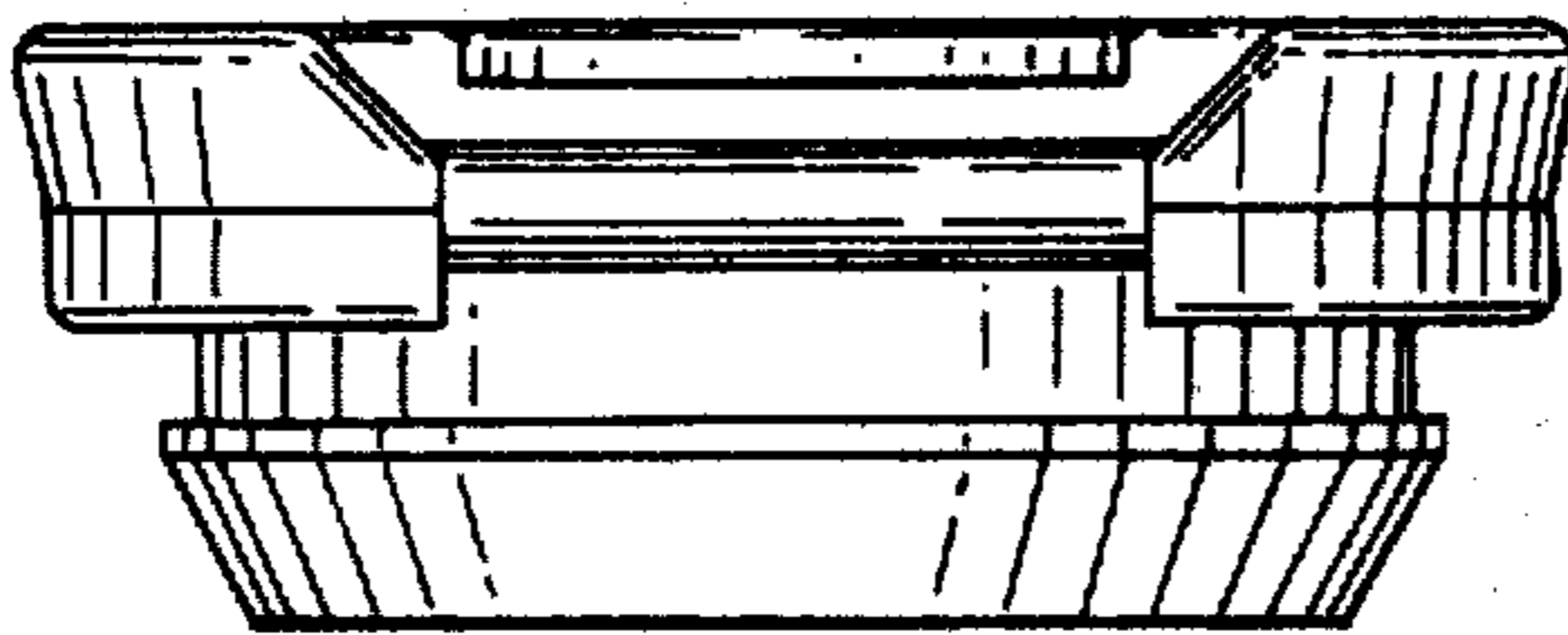


FIG-4-

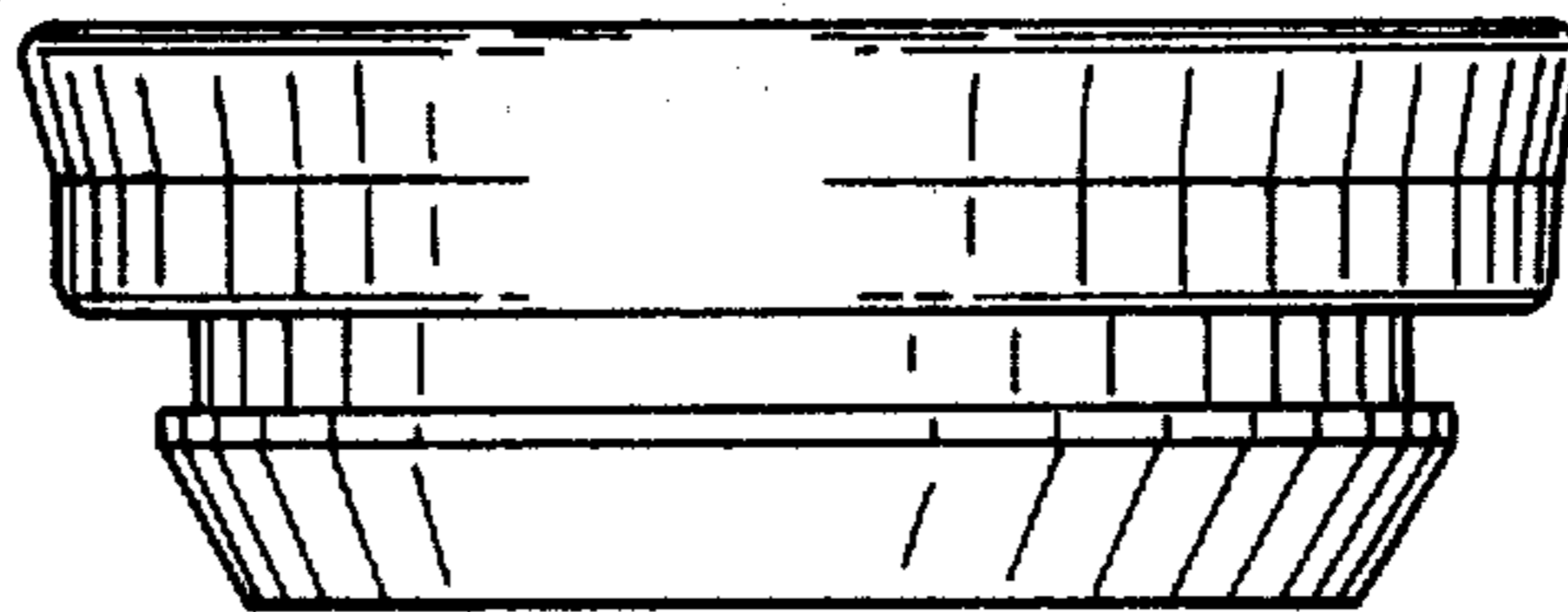


FIG-5-

