

[54] SOLDERING STATION HOUSING

3,609,791 10/1971 Siegel et al. 219/242 X
3,948,678 4/1976 Dezzani 228/57 X
4,176,778 12/1979 Fortune 228/57

[75] Inventor: William A. Lawrence, Palos Verdes Estates, Calif.

[73] Assignee: Eldon Industries, Inc., Hawthorne, Calif.

[**] Term: 14 Years

[21] Appl. No.: 289,502

[22] Filed: Aug. 3, 1981

[51] Int. Cl. D8-05

[52] U.S. Cl. D8/71

[58] Field of Search D8/14, 30, 71; 219/227, 219/229, 230, 240, 242; 228/57

[56] References Cited

U.S. PATENT DOCUMENTS

D. 239,916 5/1976 Fortune D8/71

OTHER PUBLICATIONS

Therm-O-Trac Soldering Station Flyer No. 1002.

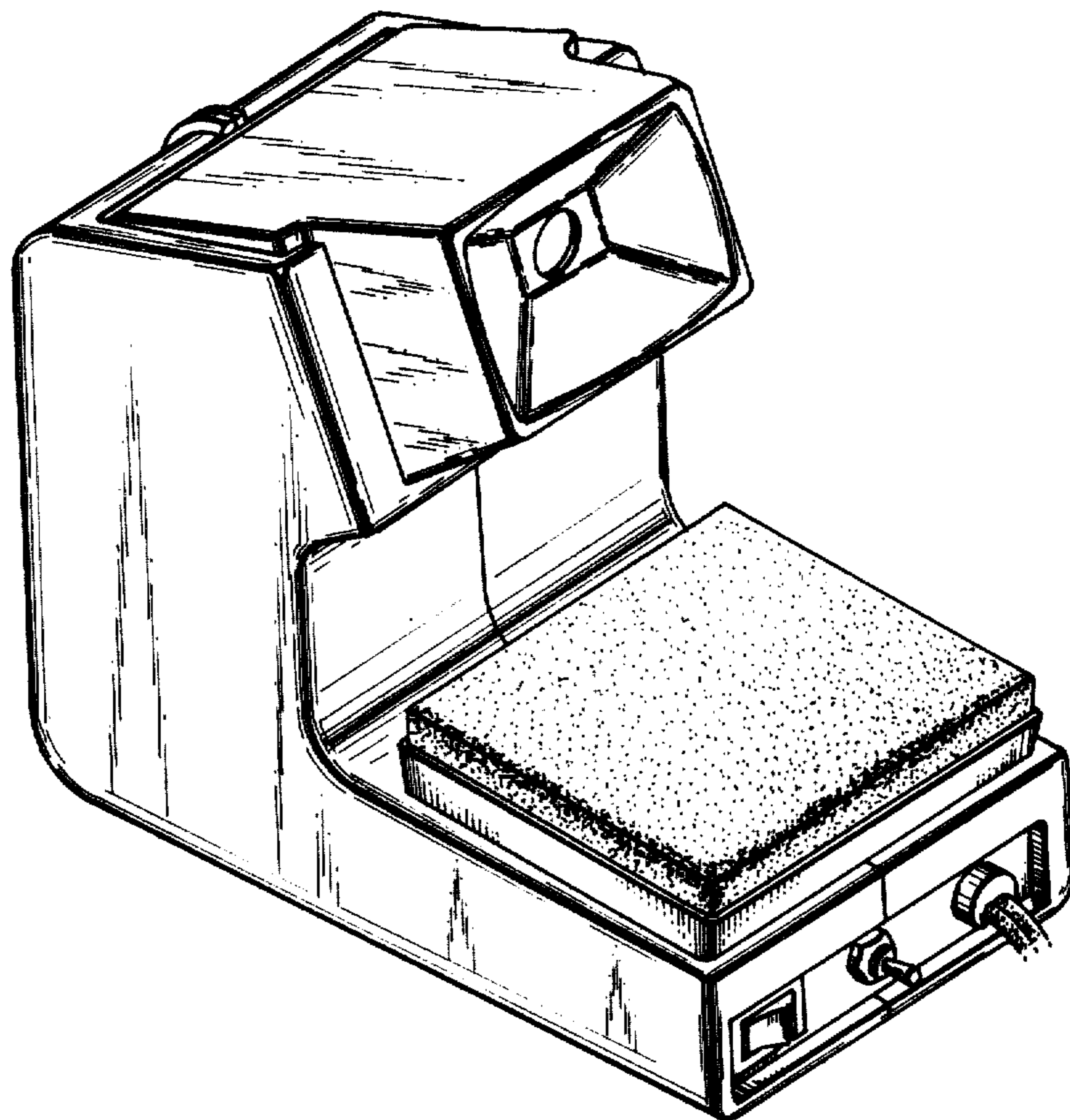
Primary Examiner—Catherine E. Kemper
Attorney, Agent, or Firm—Edward D. O'Brian; K. H. Boswell

[57] CLAIM

The ornamental design for soldering station housing, substantially as shown and described.

DESCRIPTION

FIG. 1 is a front isometric view of a soldering station housing, showing my new design; FIG. 2 is a side elevational view of the right side thereof; FIG. 3 is a rear elevational view thereof; and FIG. 4 is a bottom plan view thereof.



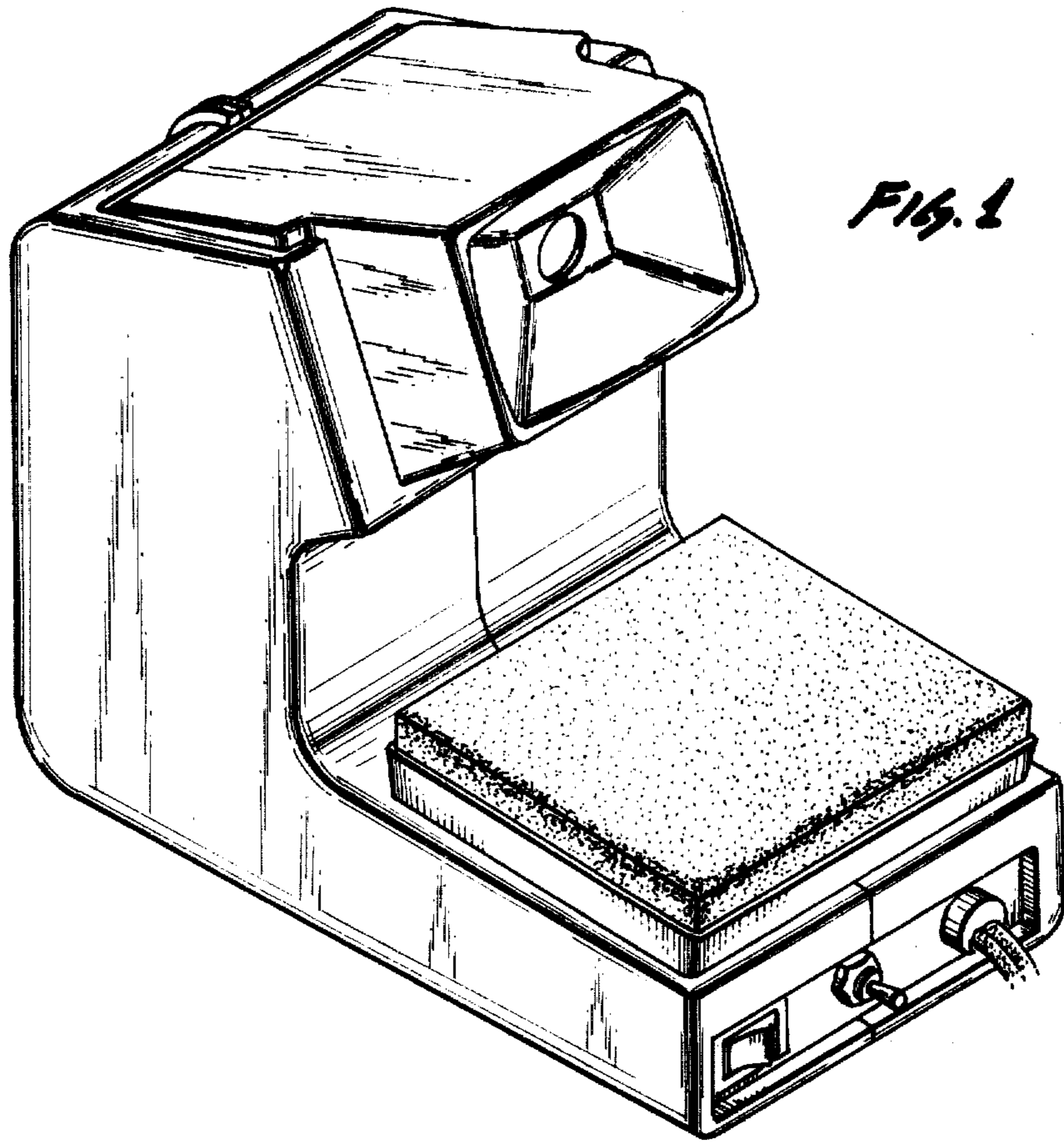


Fig. 1

Fig. 4

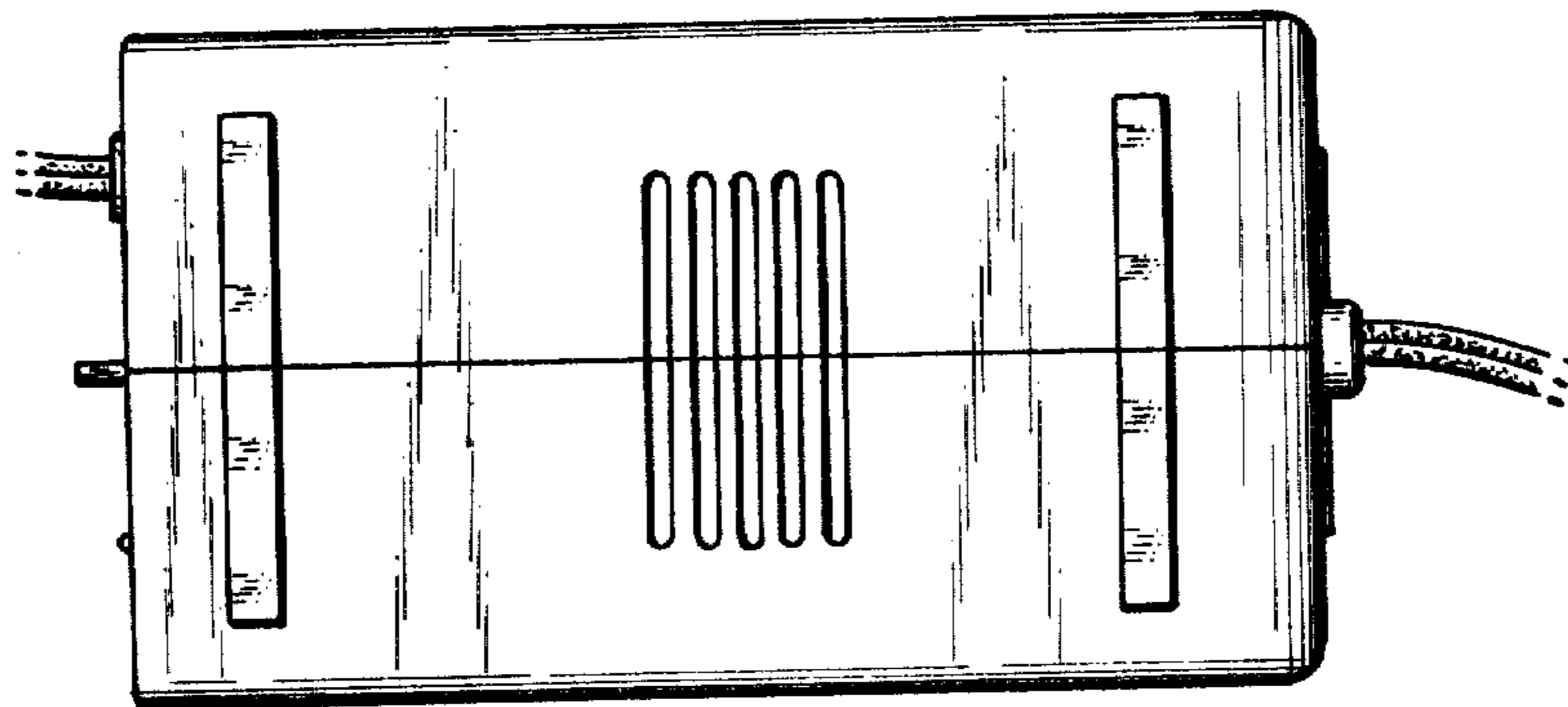


Fig. 3

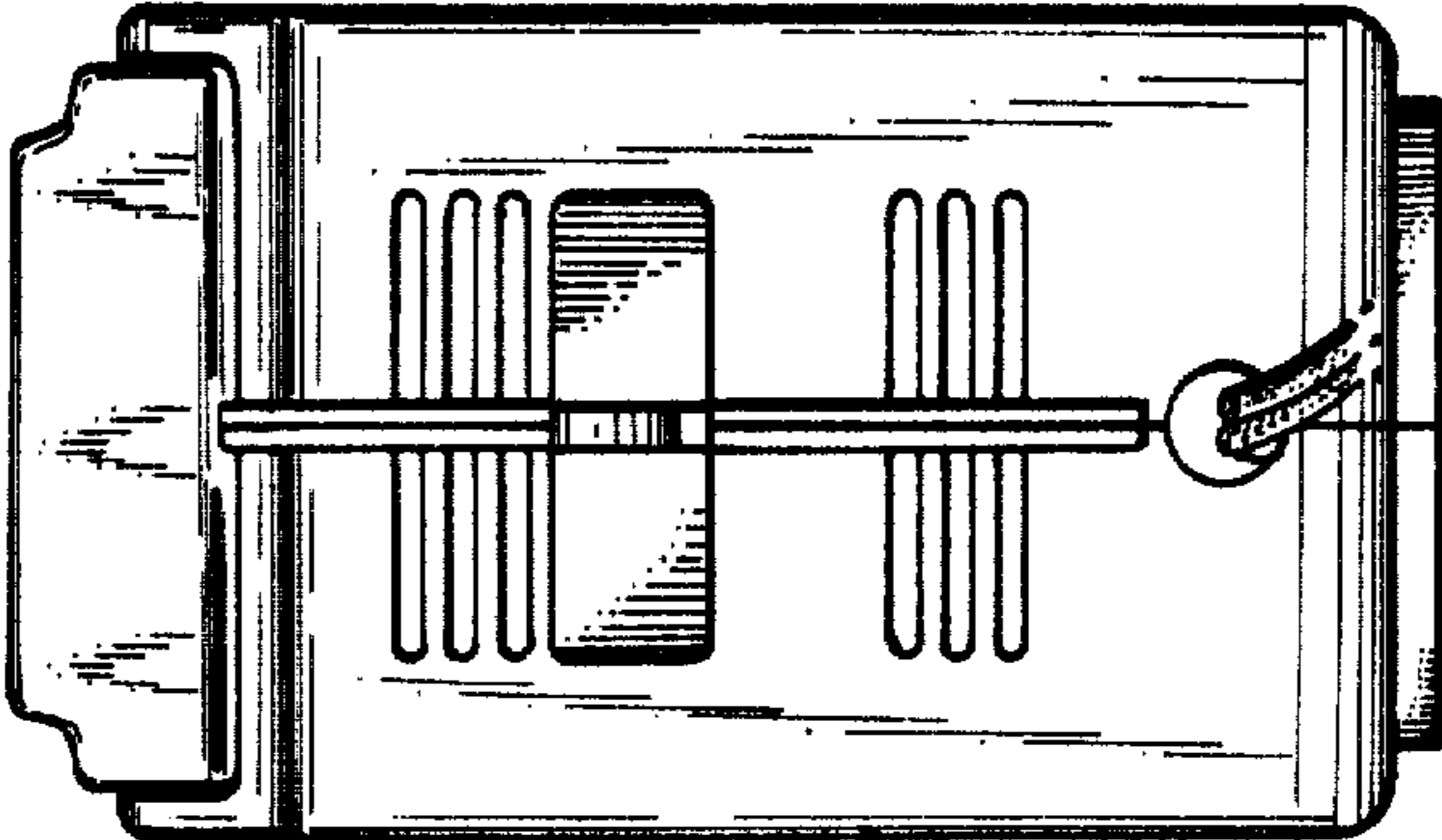


Fig. 2

