

[54] CHAIN SAW WITH BRAKE

[75] Inventors: Ernest R. Dynie, Brockville; Ian F. Norton, Toronto; Douglas G. Overbury; Colin Overy, both of Brockville, all of Canada

[73] Assignee: Black & Decker Inc., Newark, Del.

[**] Term: 14 Years

[21] Appl. No.: 207,930

[22] Filed: Nov. 19, 1980

[51] Int. Cl. D8-03

[52] U.S. Cl. D8/65

[58] Field of Search D8/65; 30/381-388, 30/390, 286

[56] References Cited

U.S. PATENT DOCUMENTS

D. 223,600	5/1972	Averitt	D8/65
D. 230,006	1/1974	Guthrie et al.	D8/65
D. 233,725	11/1974	Guthrie et al.	D8/65
D. 237,352	10/1975	Shymkus	D8/65
4,335,514	6/1982	Overy et al.	30/382
4,353,163	10/1982	Overbury et al.	30/123.4

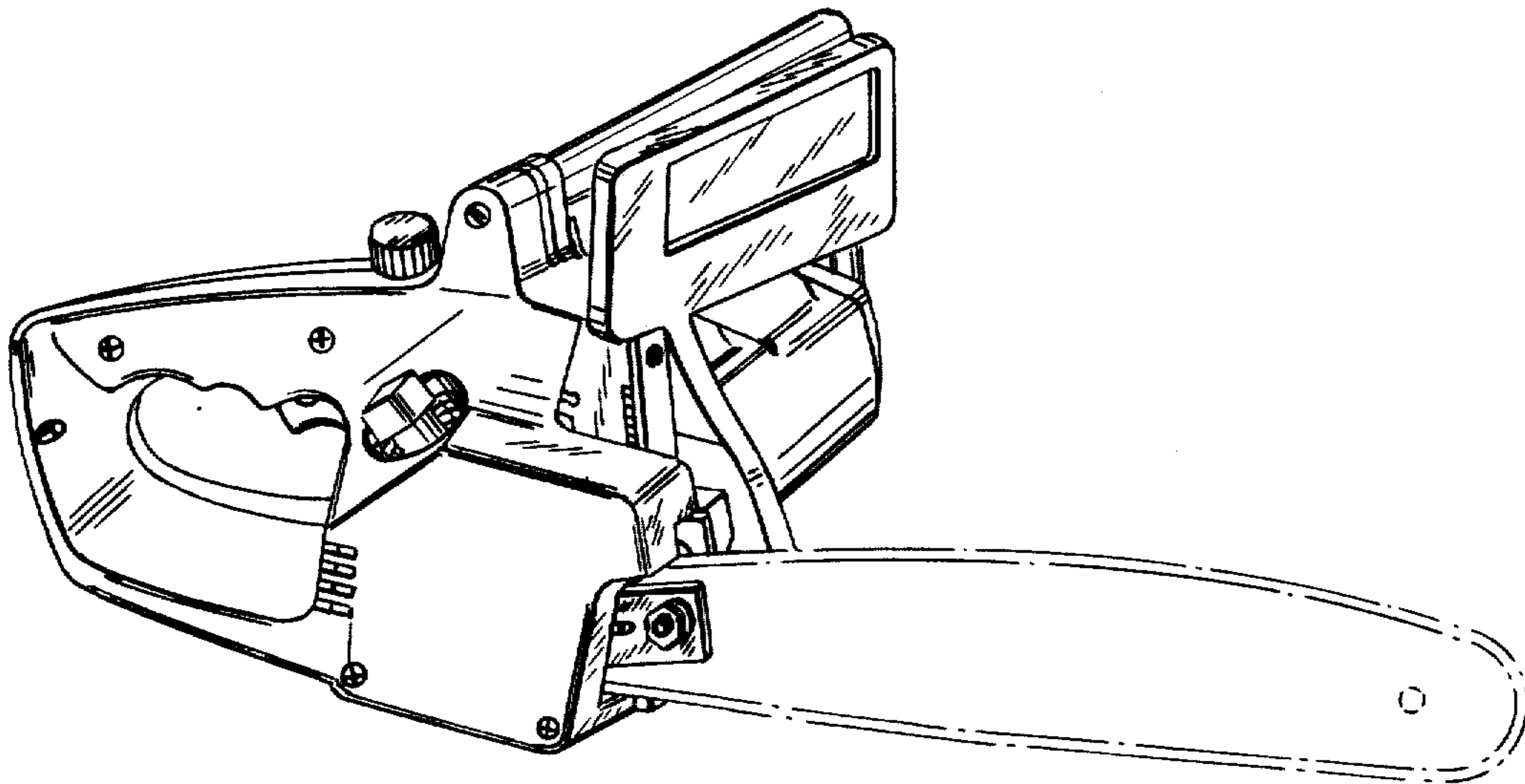
Primary Examiner—Catherine E. Kemper
Attorney, Agent, or Firm—R. B. Sherer; H. Weinstein;
Charles E. Yocum

[57] CLAIM

The ornamental design for a chain saw with brake, substantially as shown and described.

DESCRIPTION

FIG. 1 is a perspective view of a chain saw taken from above and the front end showing our new design; FIG. 2 is a side elevational view of the chain saw shown in FIG. 1 with the front end thereof facing rightwardly; FIG. 3 is a side elevational view of the opposite side of the chain saw shown in FIG. 1 with the front end thereof facing leftwardly; FIG. 4 is a bottom plan view of the chain saw shown in FIG. 1 with the front end thereof facing leftwardly; FIG. 5 is a top plan view of the chain saw shown in FIG. 1; FIG. 6 is a front elevational view of the chain saw shown in FIG. 1; and FIG. 7 is a rear elevational view of the chain saw shown in FIG. 1. The broken lines are shown for illustration purposes only.



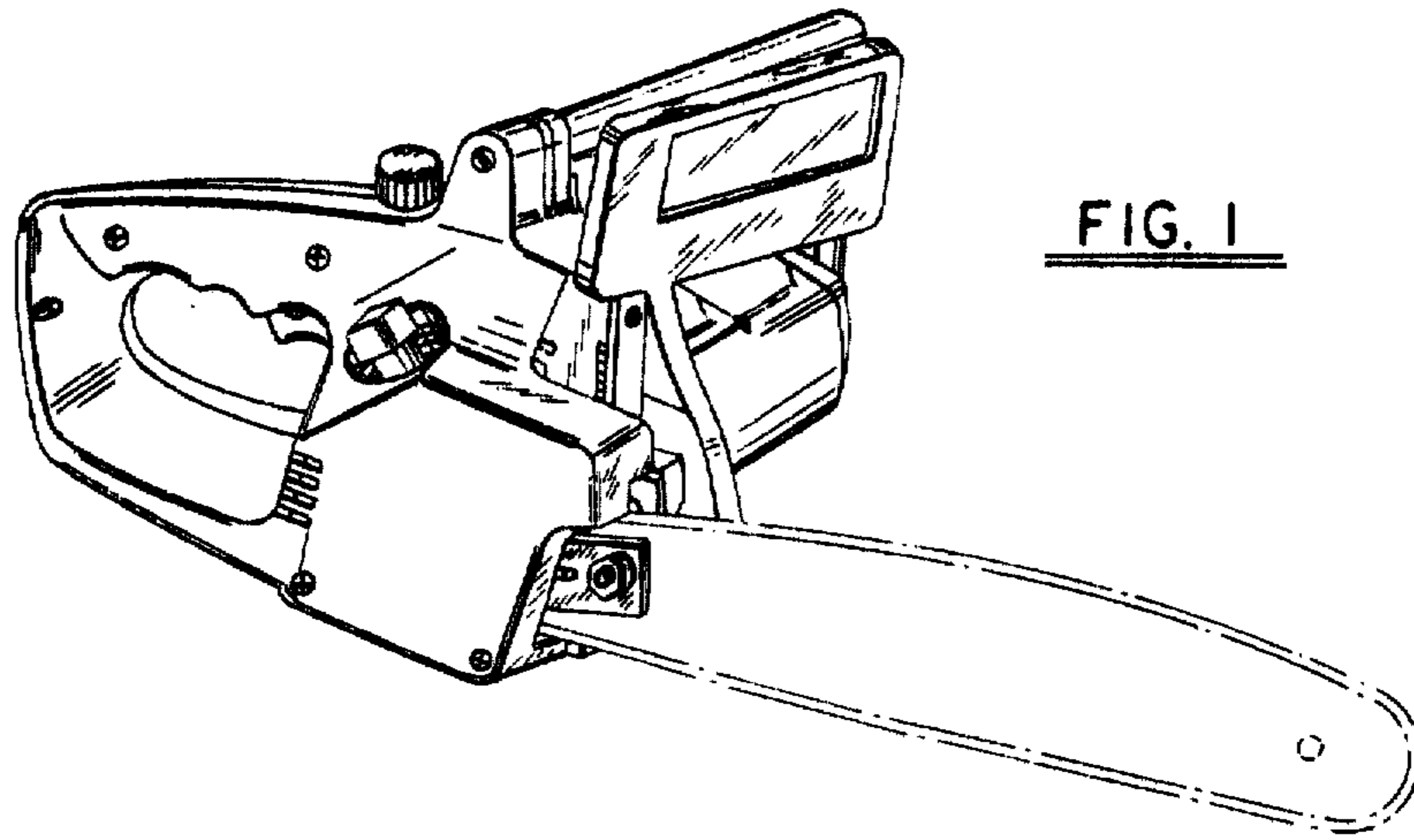


FIG. 1

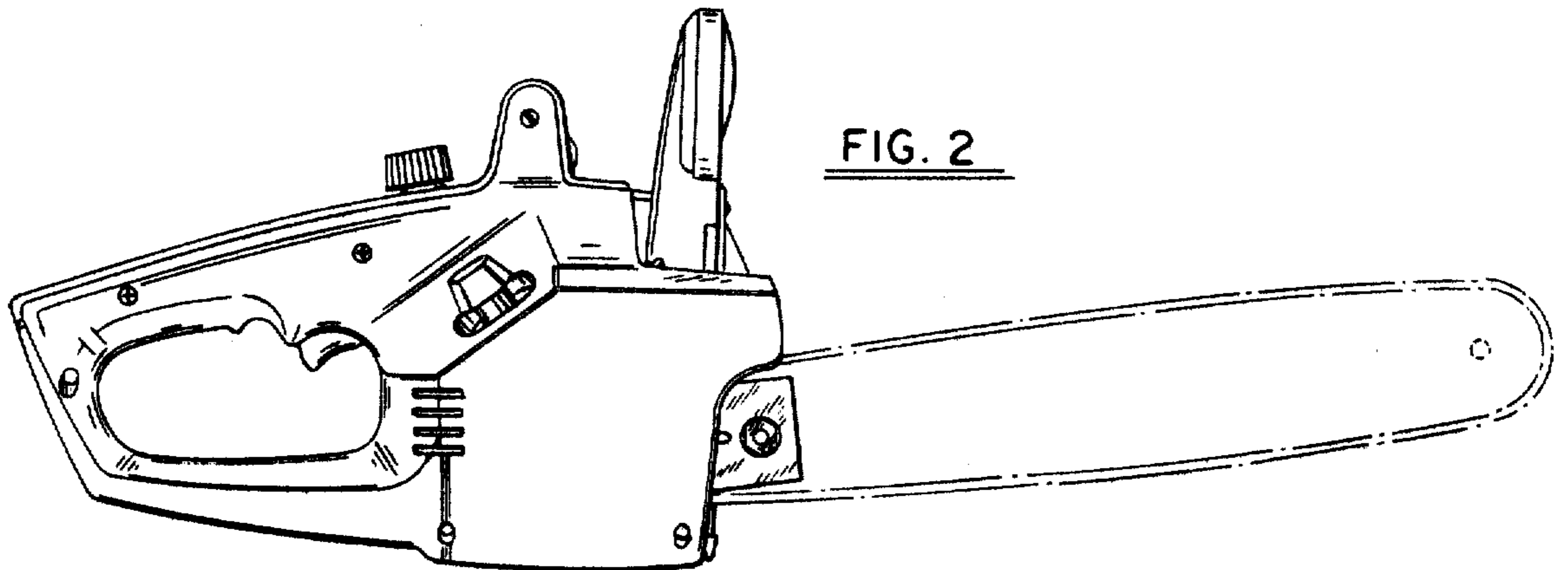


FIG. 2

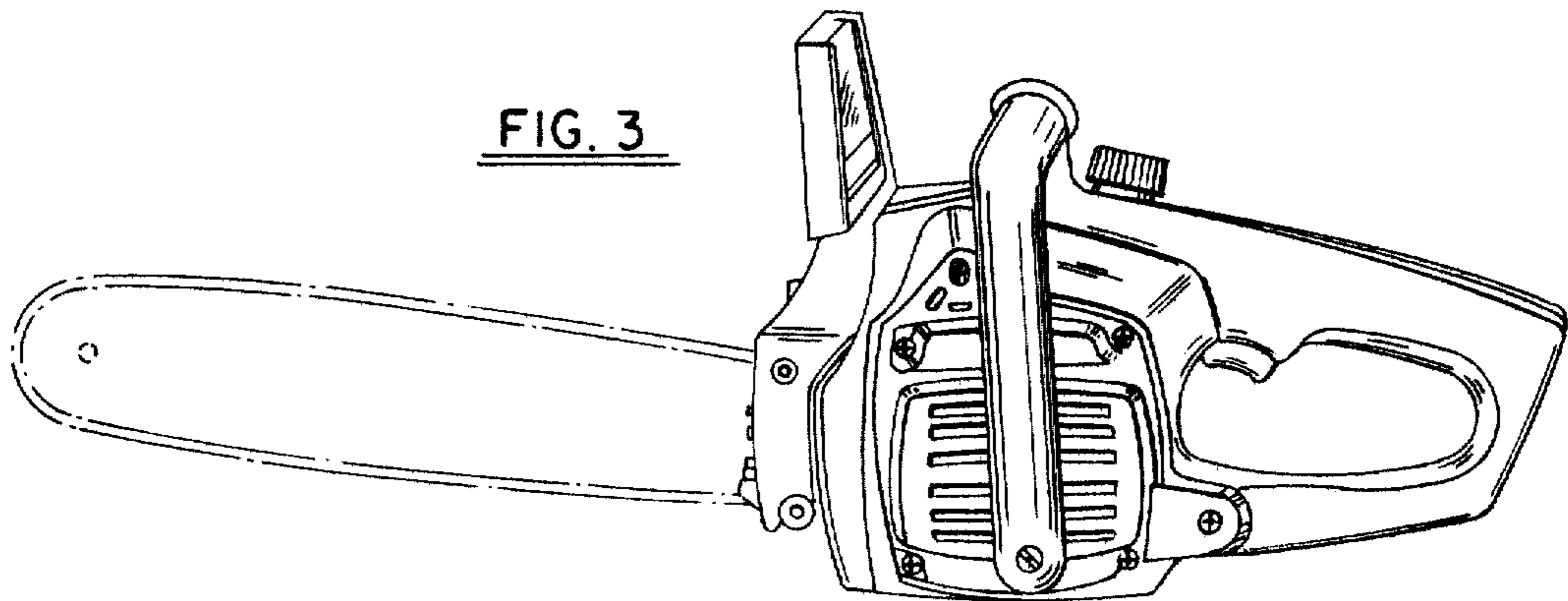


FIG. 3

FIG. 4

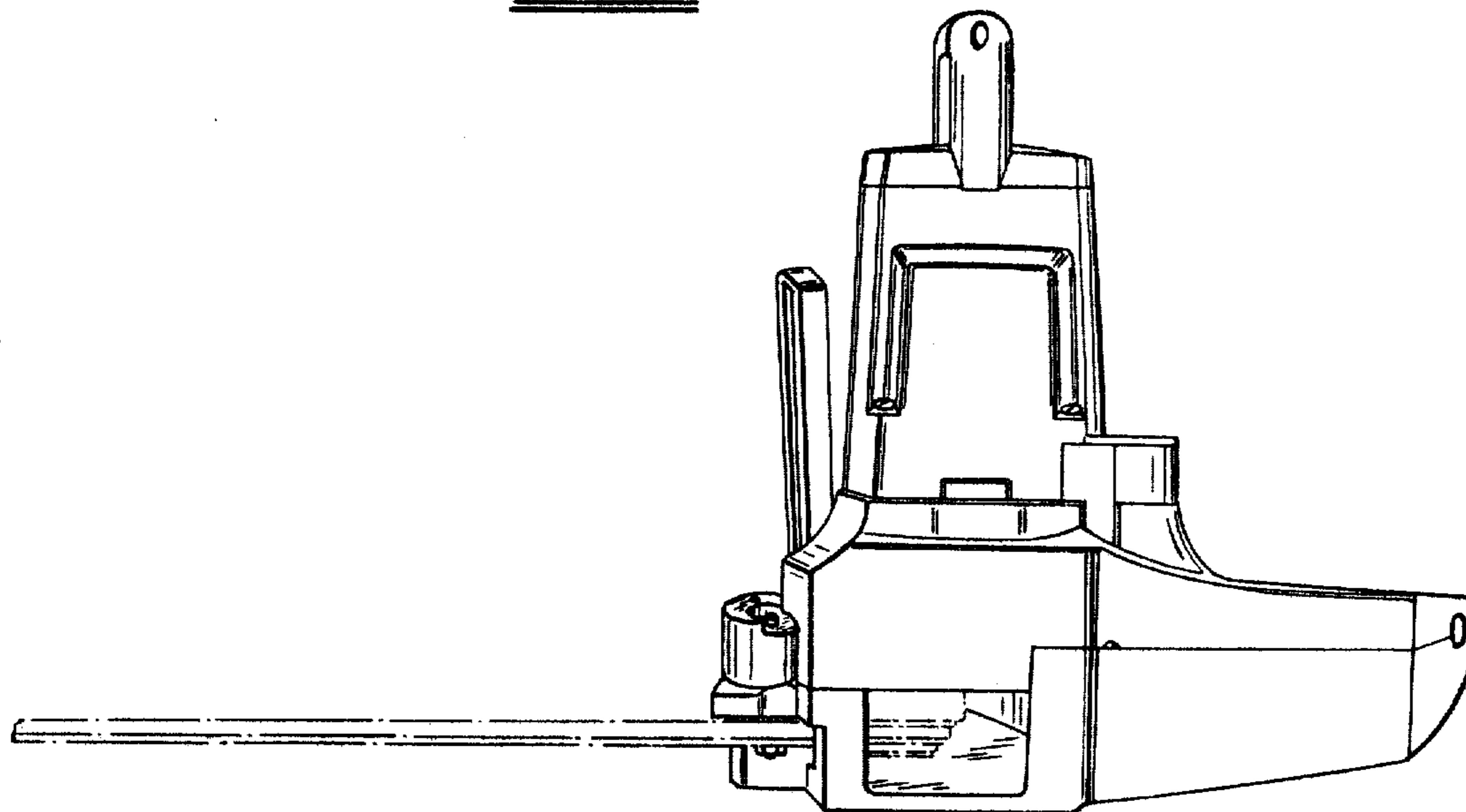


FIG. 5

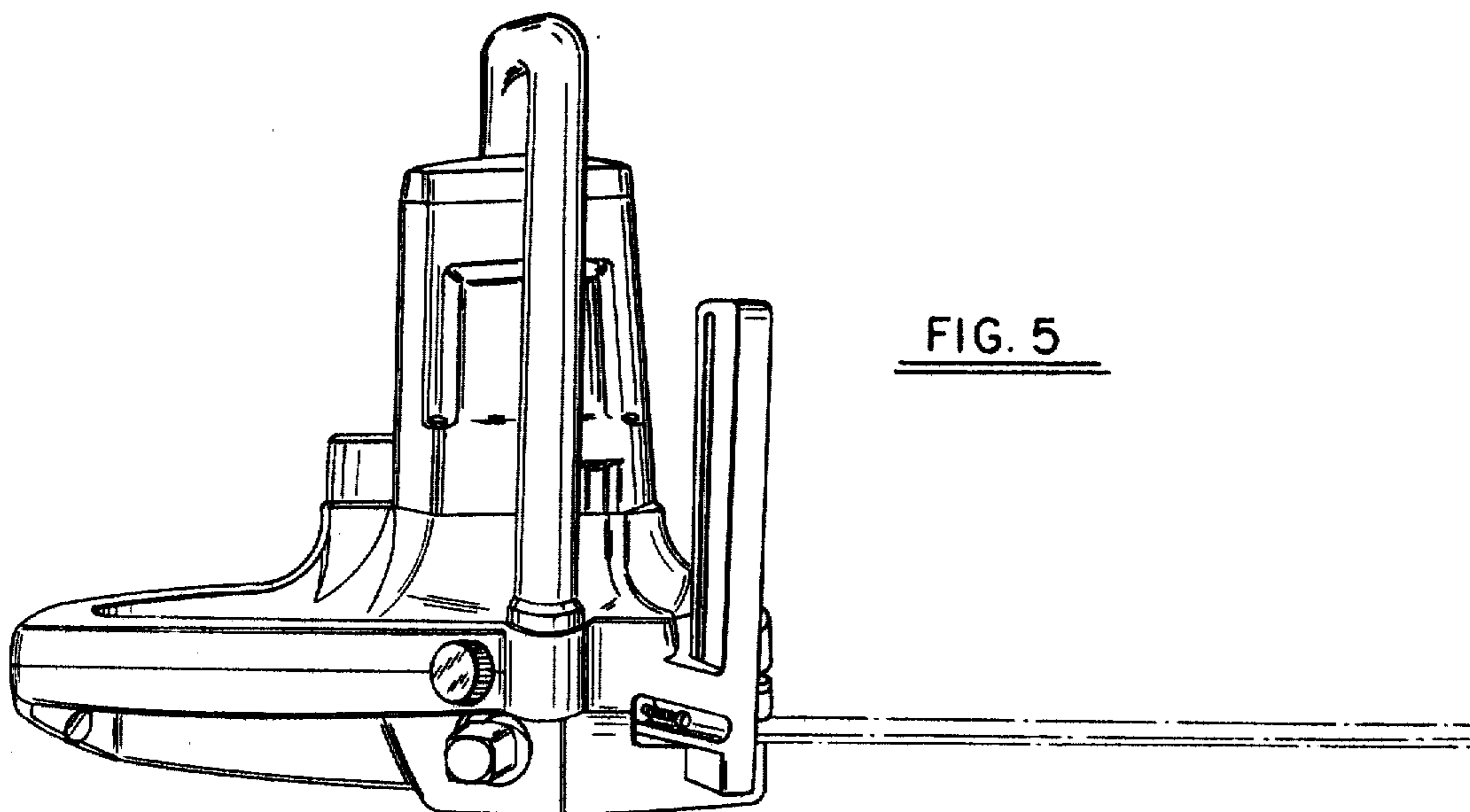


FIG. 6

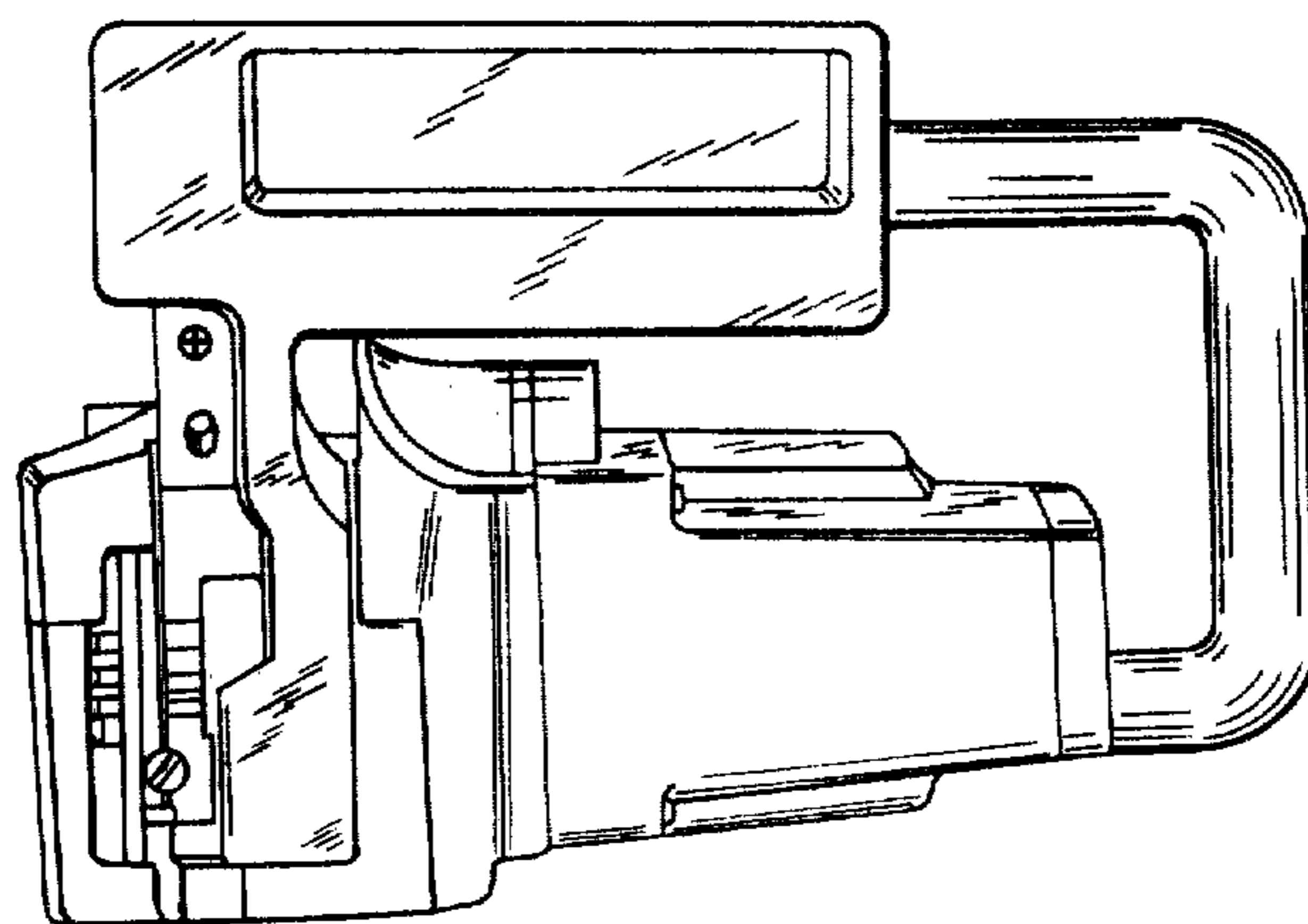


FIG. 7

