

[54] HOUSING FOR AN APPARATUS FOR CLEANING SOLDERING IRON TIPS

[75] Inventor: Ludwig Walser, Oberrohrdorf, Switzerland

[73] Assignee: Elvo Elektronik AG, Niederrohrdorf, Switzerland

[**] Term: 14 Years

[21] Appl. No.: 319,810

[22] Filed: Nov. 9, 1981

[30] Foreign Application Priority Data

Jun. 12, 1981 [CH] Switzerland DM/000 808

[51] Int. Cl. D8-05

[52] U.S. Cl. D8/30; D8/71

[58] Field of Search D8/30, 71; 228/19-23, 228/57; 219/227, 229, 230, 240, 242; 15/209 R, 210 R, 104.04

[56] References Cited

U.S. PATENT DOCUMENTS

D. 195,116	4/1963	Race	D8/71 X
3,609,791	10/1971	Siegel et al.	219/242 X
3,948,678	4/1976	Dezzani	228/57 X
4,176,778	12/1979	Fortune	228/57

Primary Examiner—Catherine E. Kemper
Attorney, Agent, or Firm—Werner W. Kleeman

[57] CLAIM

The ornamental design for a housing for an apparatus for cleaning soldering iron tips, as shown and described.

DESCRIPTION

FIG. 1 is a front perspective view of a housing for an apparatus for cleaning soldering iron tips showing my new design;

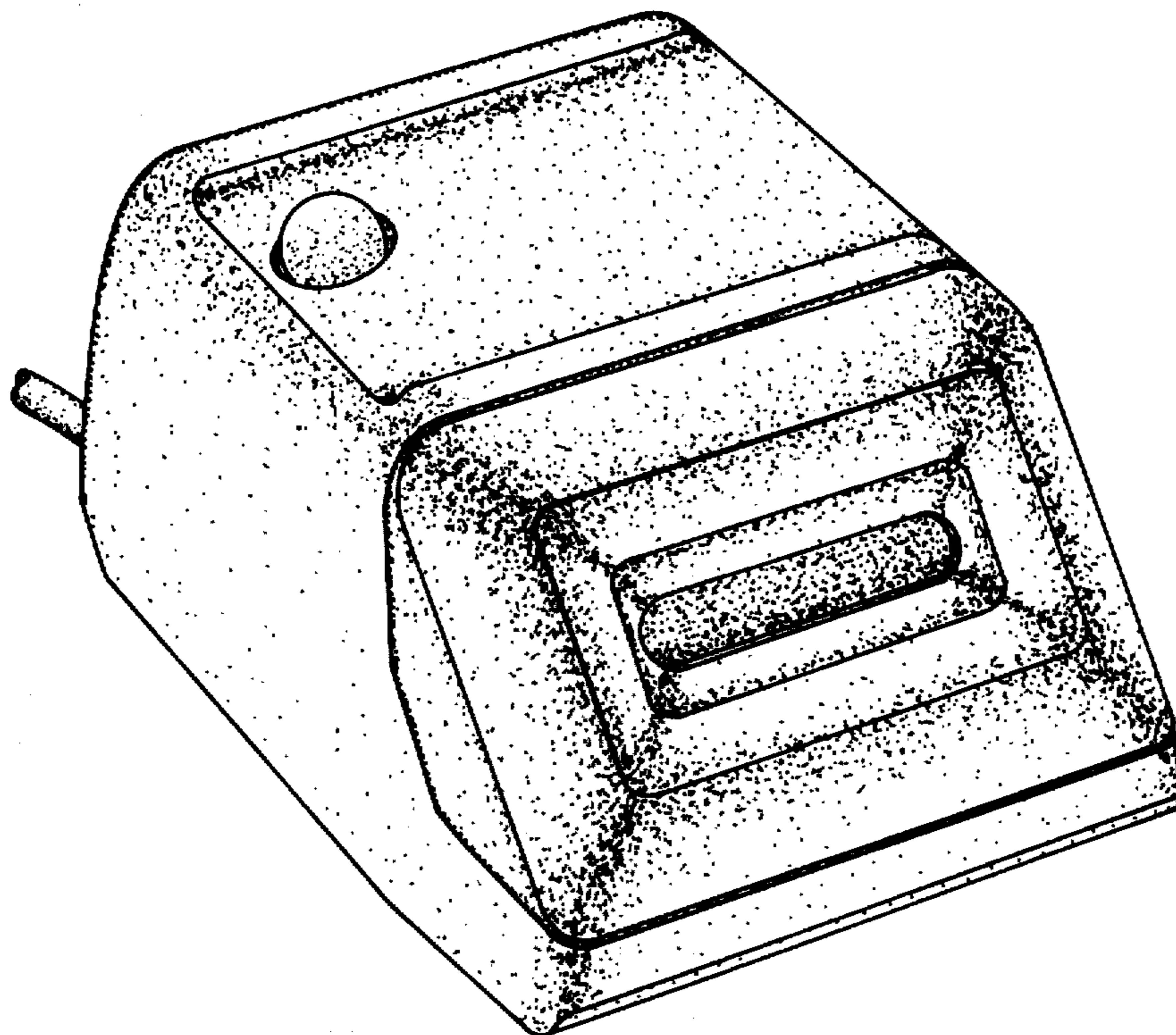
FIG. 2 is a front view thereof;

FIG. 3 is a rear view thereof;

FIG. 4 is a side view thereof, the opposite side being the mirror image of the side shown;

FIG. 5 is a top plan view thereof; and

FIG. 6 is a bottom plan view thereof.



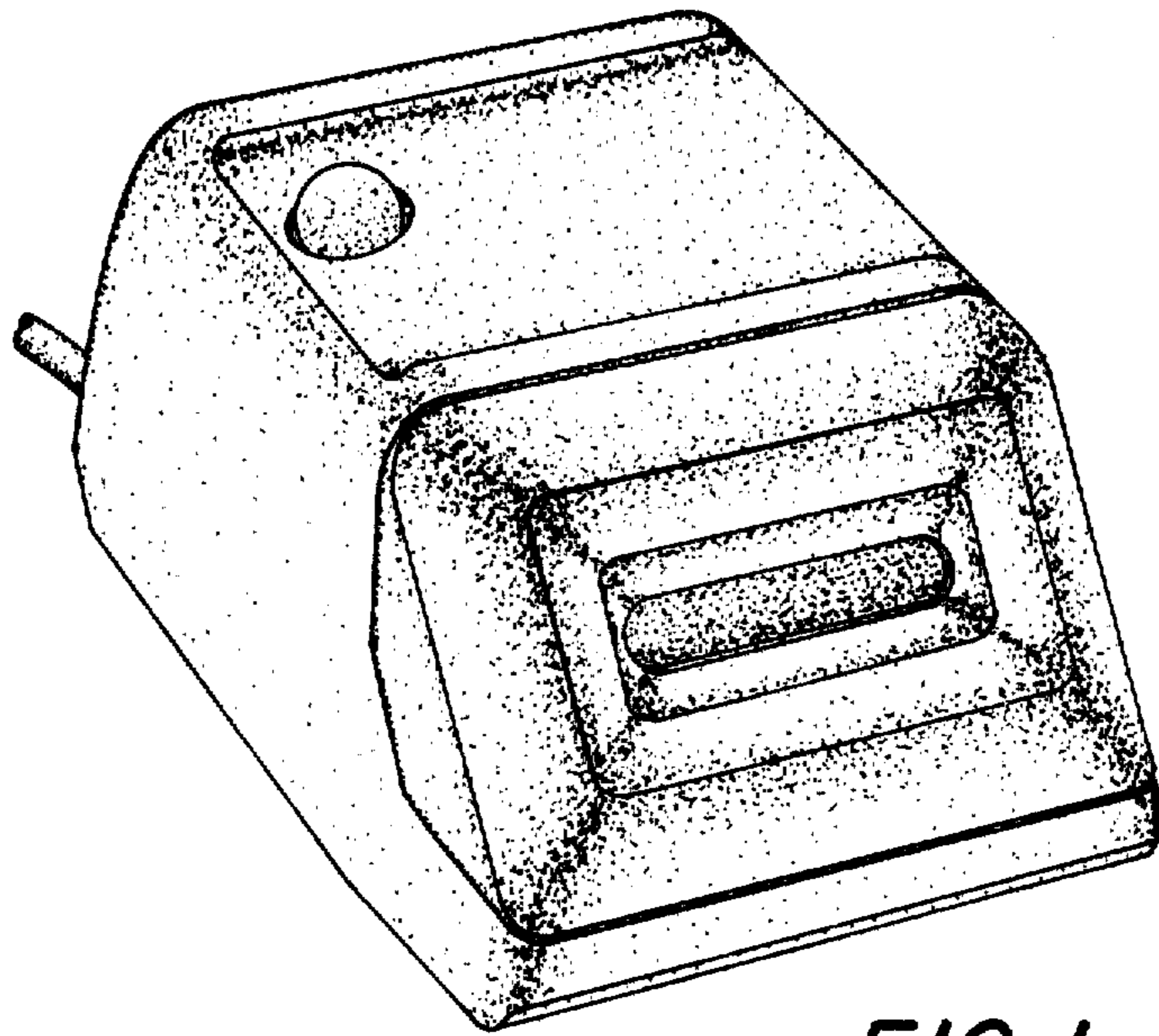


FIG. 1

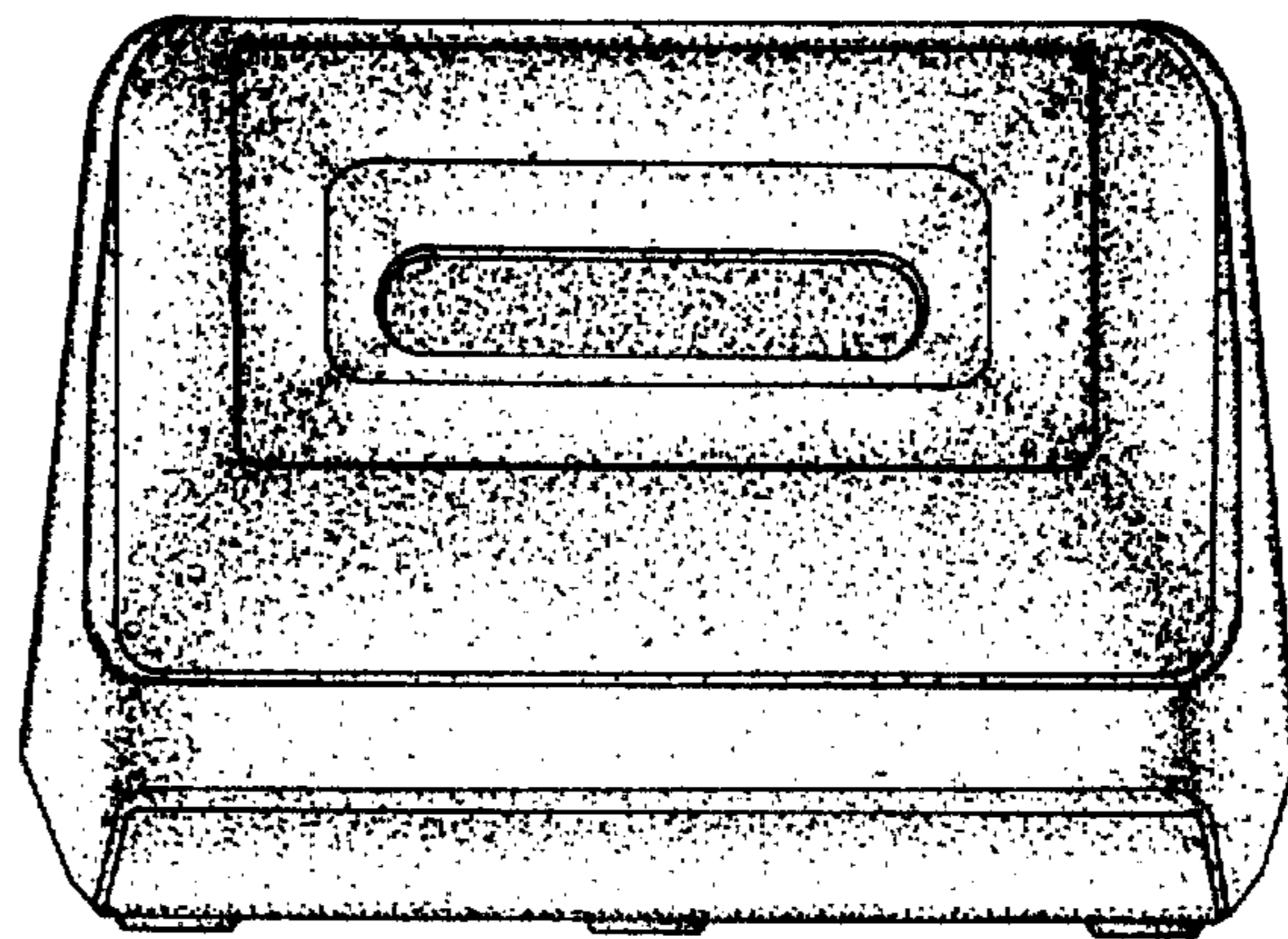


FIG. 2

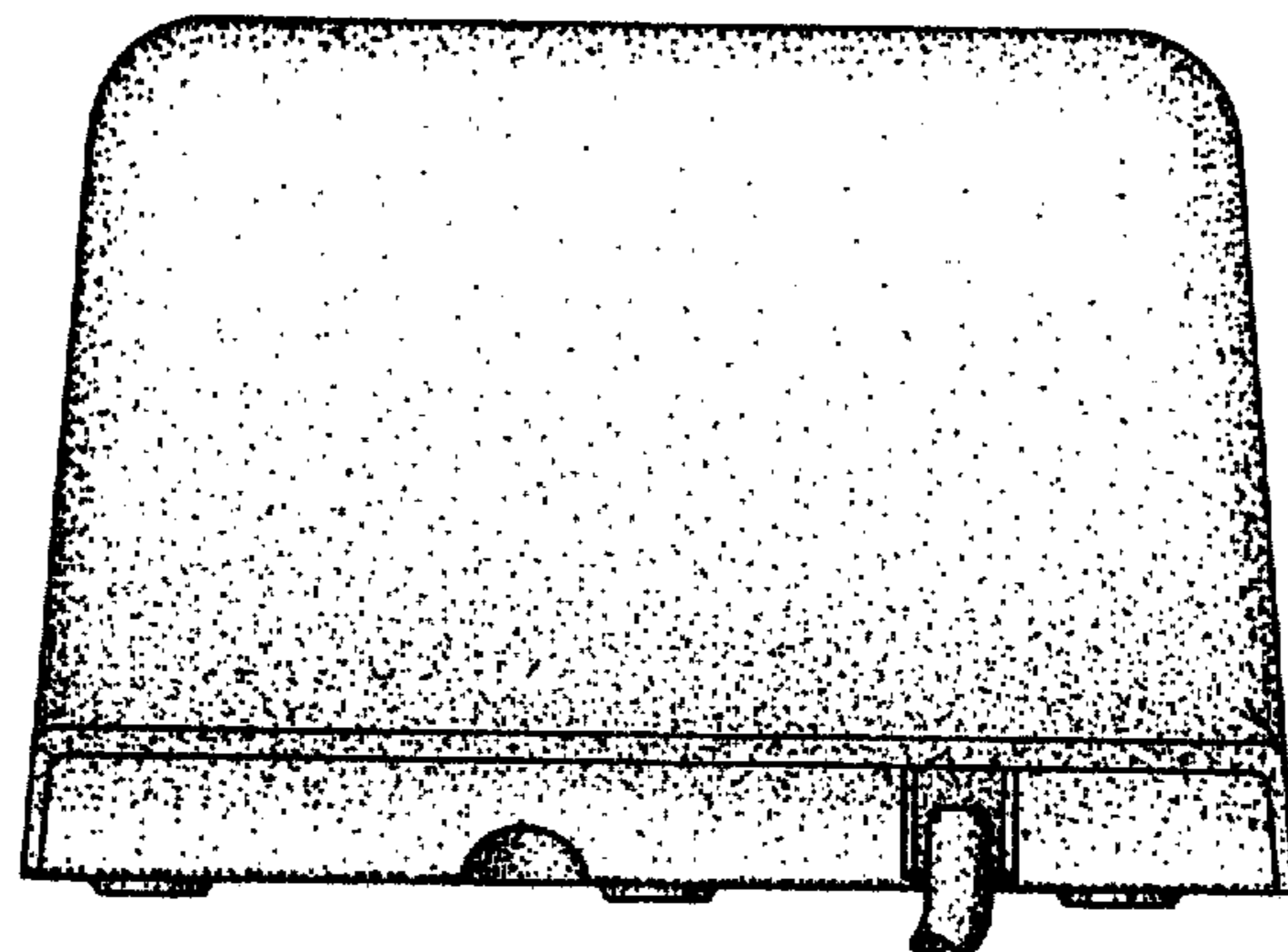


FIG. 3

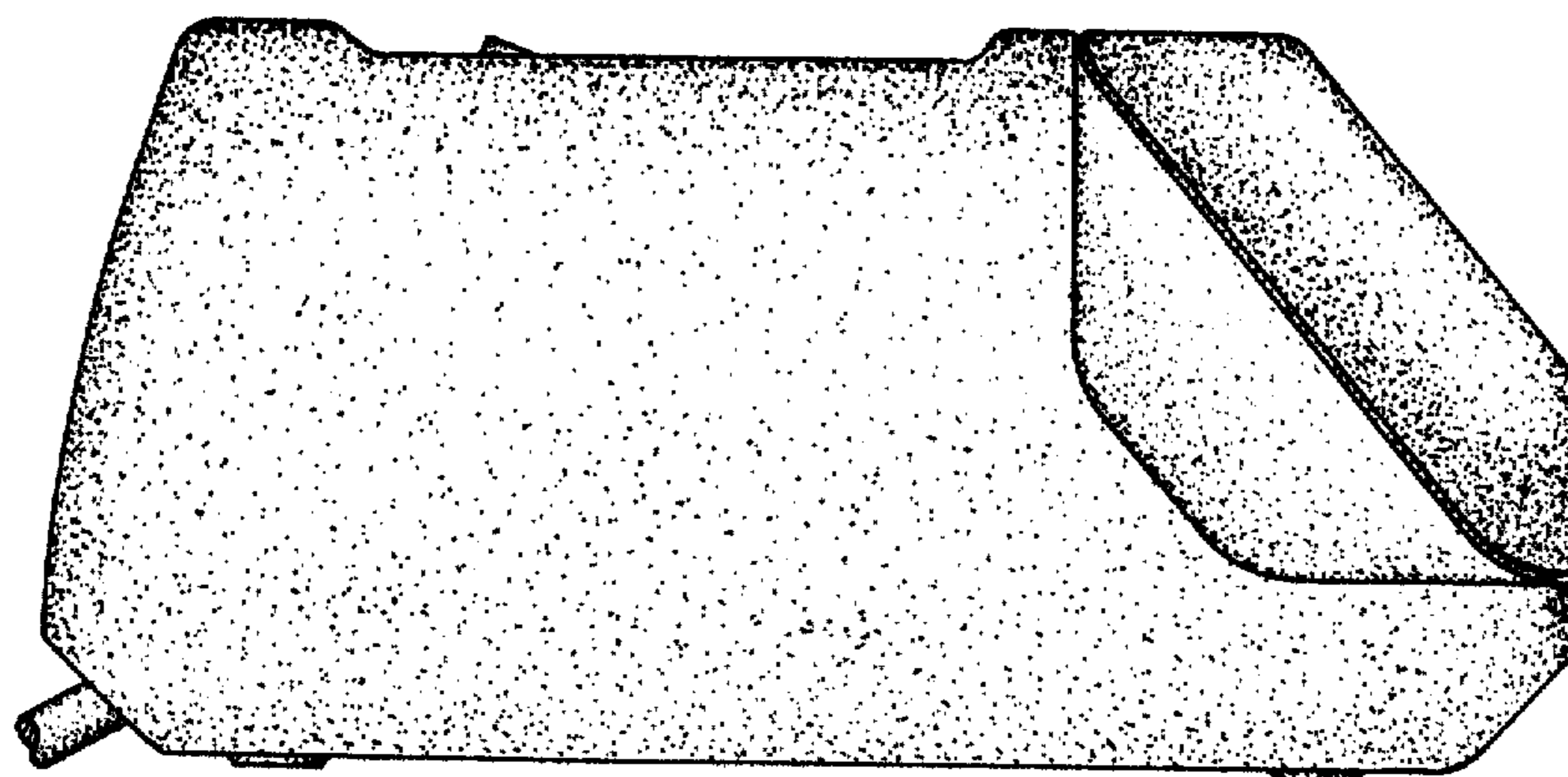


FIG. 4

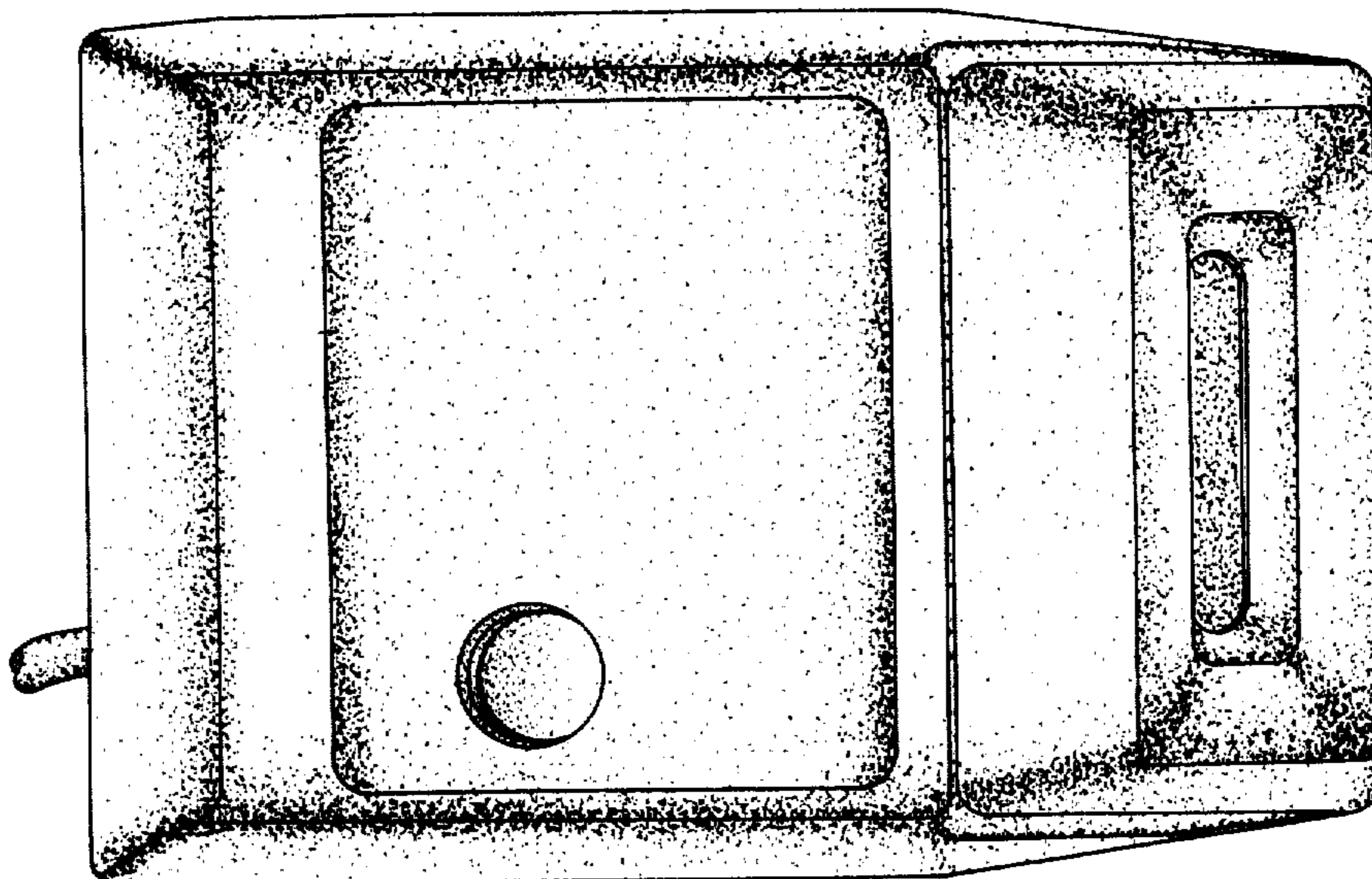


FIG. 5

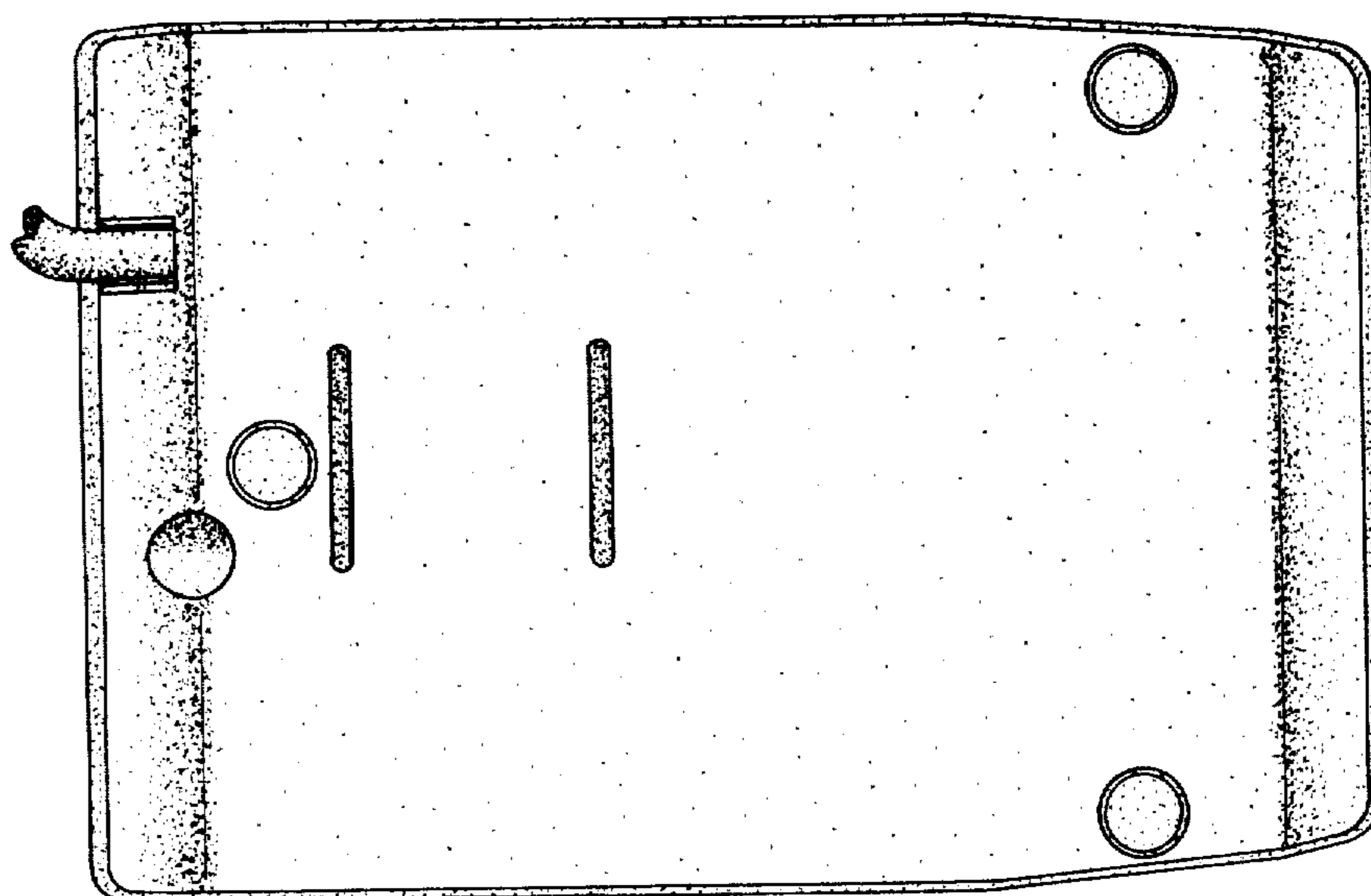


FIG. 6