

- [54] TEA INFUSER
- [75] Inventor: Walter Schlessel, Lawrence, N.Y.
- [73] Assignee: Gemco Ware Inc., Freeport, N.Y.
- [**] Term: 14 Years
- [21] Appl. No.: 243,609
- [22] Filed: Mar. 13, 1981
- [51] Int. Cl. D07-04
- [52] U.S. Cl. D7/400; D7/47;
D7/300
- [58] Field of Search D7/300, 399, 400, 47,
D7/68; 99/323, 321, 322; 426/77, 78, 82

523,344 7/1894 Hancock 99/322

FOREIGN PATENT DOCUMENTS

22593 of 1896 United Kingdom 99/321

Primary Examiner—Winifred E. Herrmann
Attorney, Agent, or Firm—Lilling & Greenspan

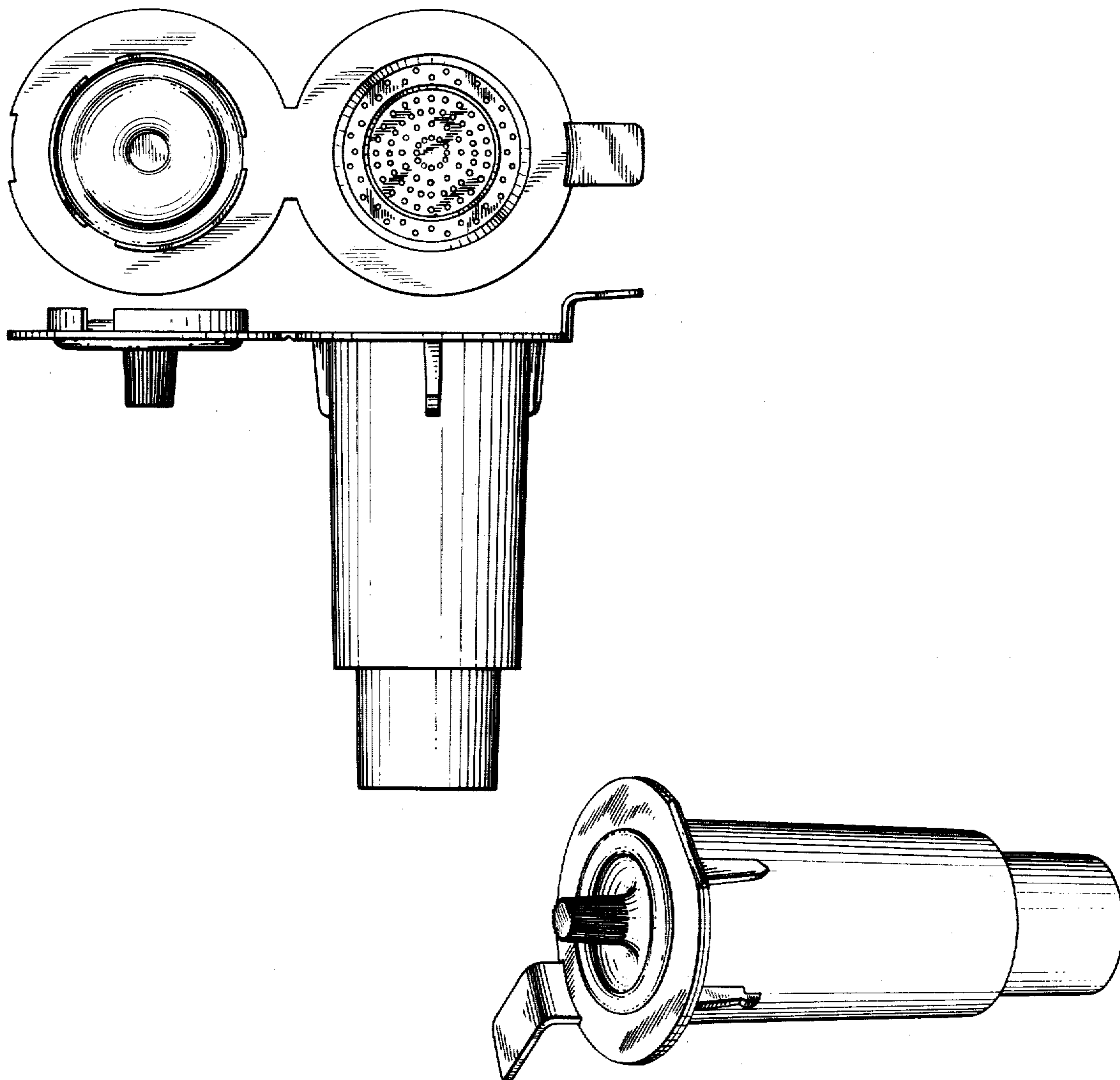
[57] CLAIM

The ornamental design for a tea infuser, substantially as shown and described.

DESCRIPTION

FIG. 1 is a top plan view of a tea infuser showing my new design with the lid in an open position;
 FIG. 2 is a front elevational view thereof, the rear elevational view being a mirror image thereof;
 FIG. 3 is a left side elevational view thereof;
 FIG. 4 is a right side elevational view thereof;
 FIG. 5 is a bottom plan view thereof;
 FIG. 6 is a perspective view of my tea infuser, with the lid in a closed position.

- [56] References Cited
- U.S. PATENT DOCUMENTS
- D. 229,530 12/1973 Simpson, Jr. D7/300
- D. 235,183 5/1975 Braun D7/400 X
- D. 255,313 6/1980 Elkerbout D7/400
- 377,514 2/1888 Cornish 99/321



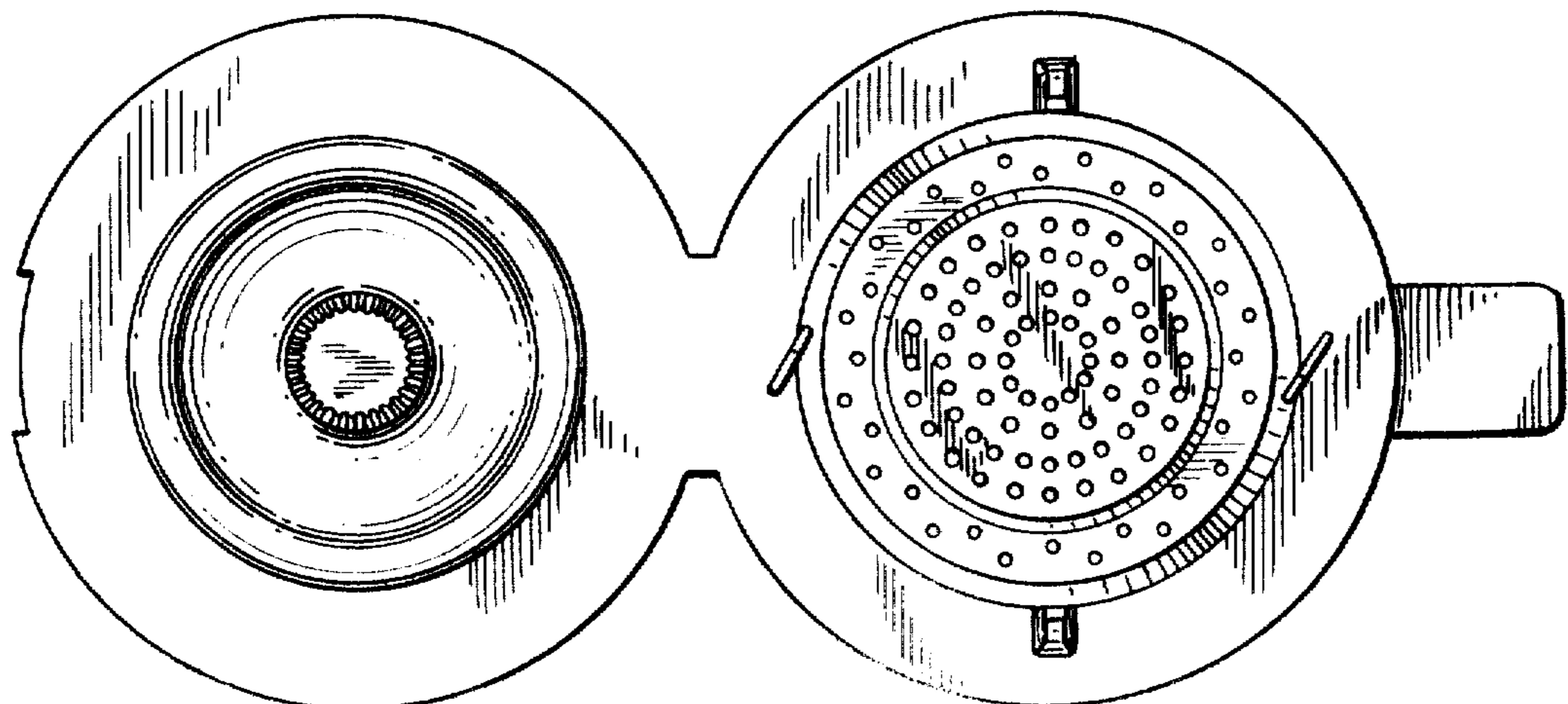
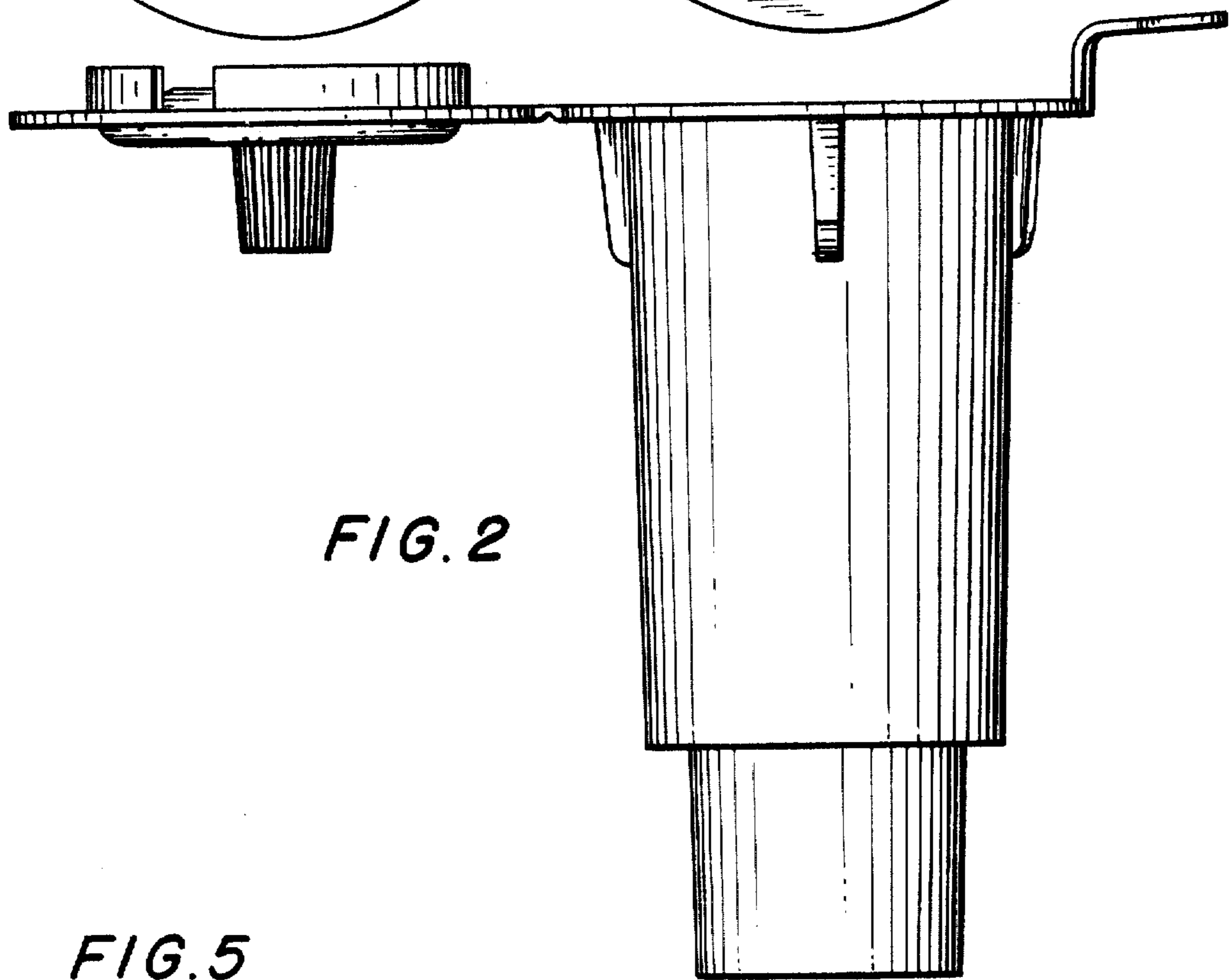
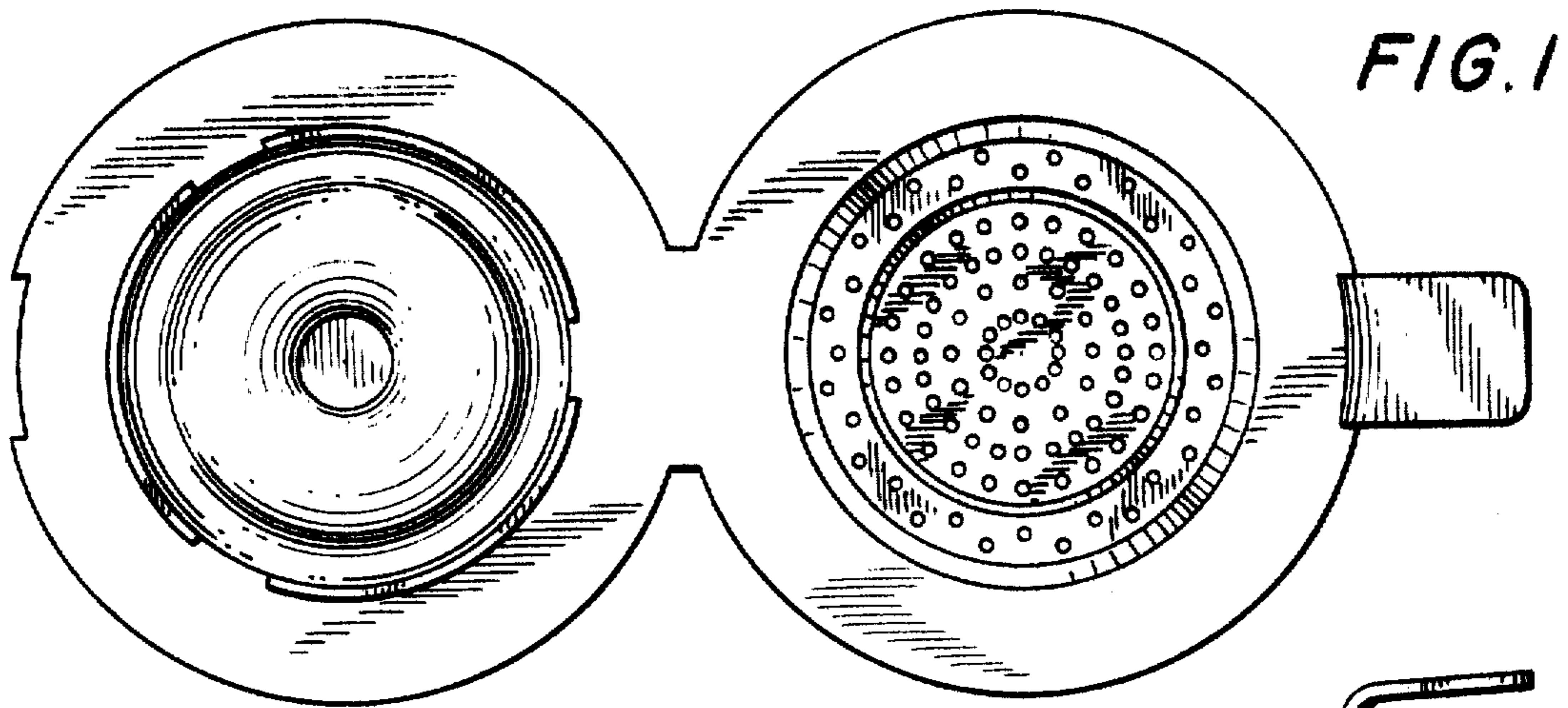


FIG. 6

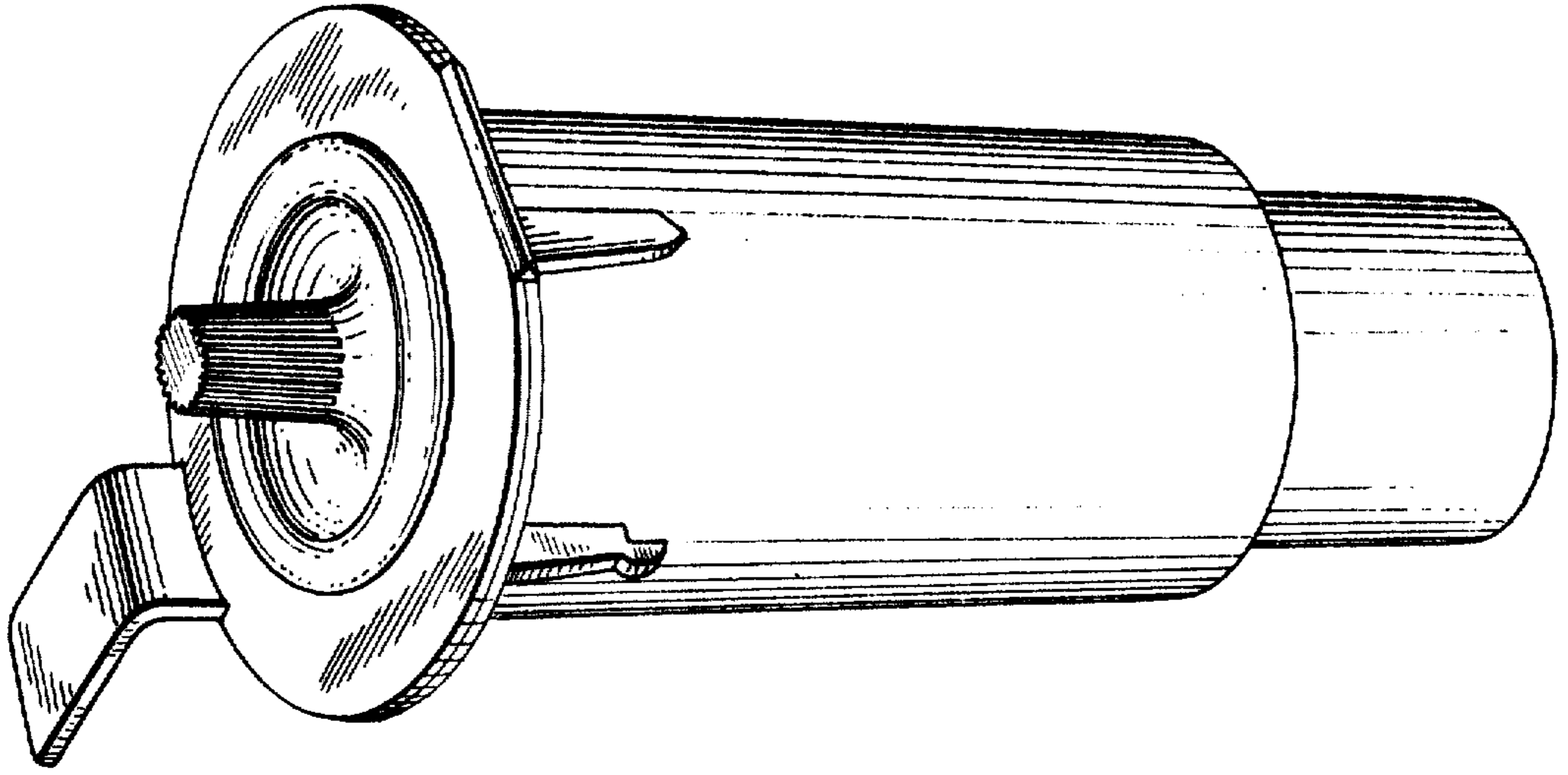


FIG. 4

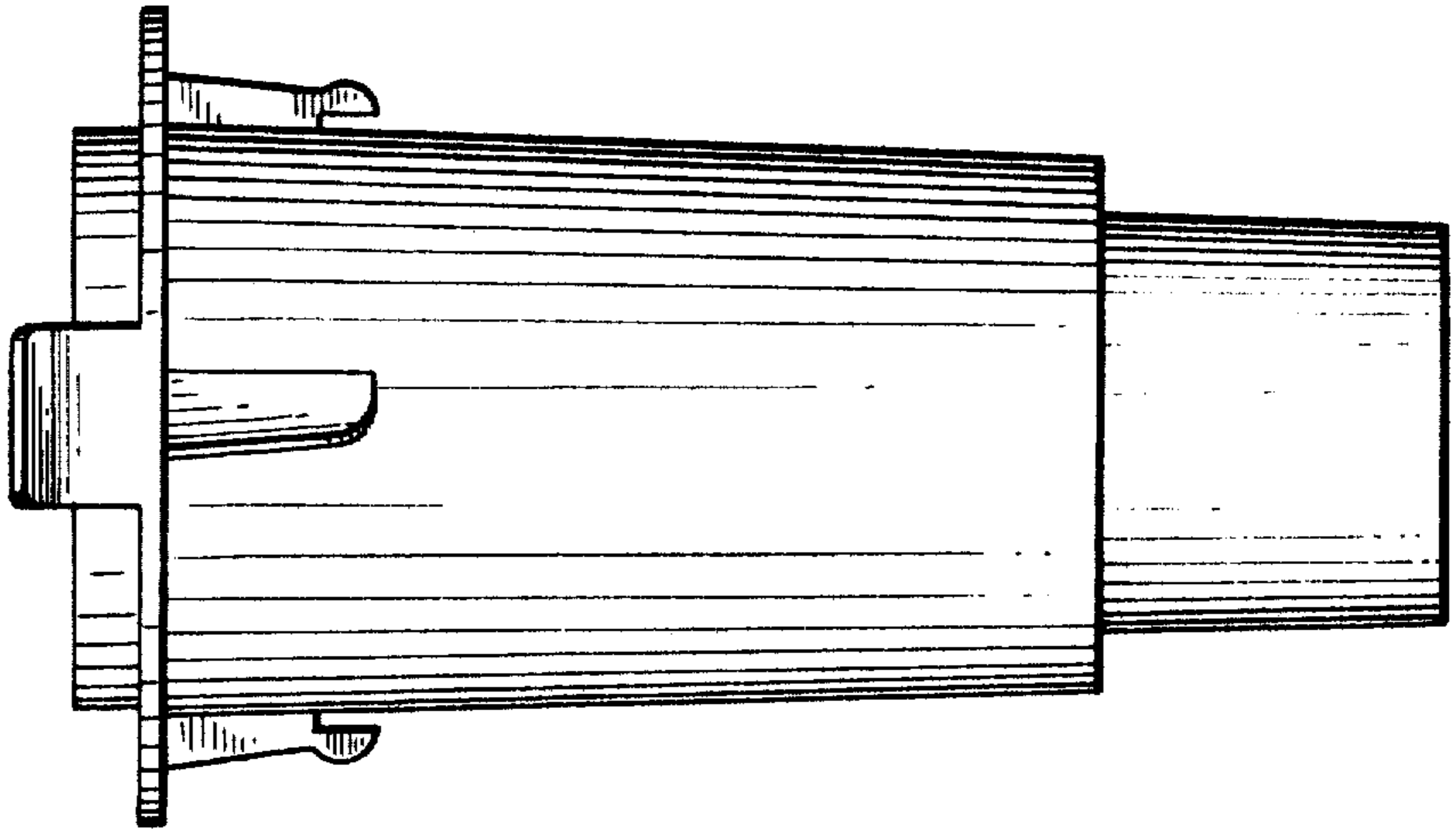


FIG. 3

