

[54] FLOWER STAND AND TRELLIS COMBINATION

[76] Inventor: **Matti Pahlanen**, Borrvängsgatan 9, Gothenburg, Sweden, 412 61

[**] Term: **14 Years**

[21] Appl. No.: **328,730**

[22] Filed: **Dec. 8, 1981**

[30] Foreign Application Priority Data

Jun. 11, 1981 [SE] Sweden 81-1349

[51] Int. Cl. D6—06; D8—99

[52] U.S. Cl. D6/183; D6/186; D25/71

[58] Field of Search D6/146, 182, 183, 186; D25/71; 108/59, 28, 91, 92; 47/39; 211/134, 135, 128, 153; 52/633, 660, 663

[56] References Cited

U.S. PATENT DOCUMENTS

D. 212,920	12/1968	Klayman	D25/71
870,259	11/1907	Tenney	108/92
900,331	10/1908	Weston	D6/186
1,525,903	2/1925	Allen	D6/186
1,623,646	4/1927	Verdery	47/70
2,595,002	4/1952	Schneider	D6/186
3,166,869	1/1965	Luper	D25/71

Primary Examiner—B. J. Bullock
Attorney, Agent, or Firm—Holman & Stern

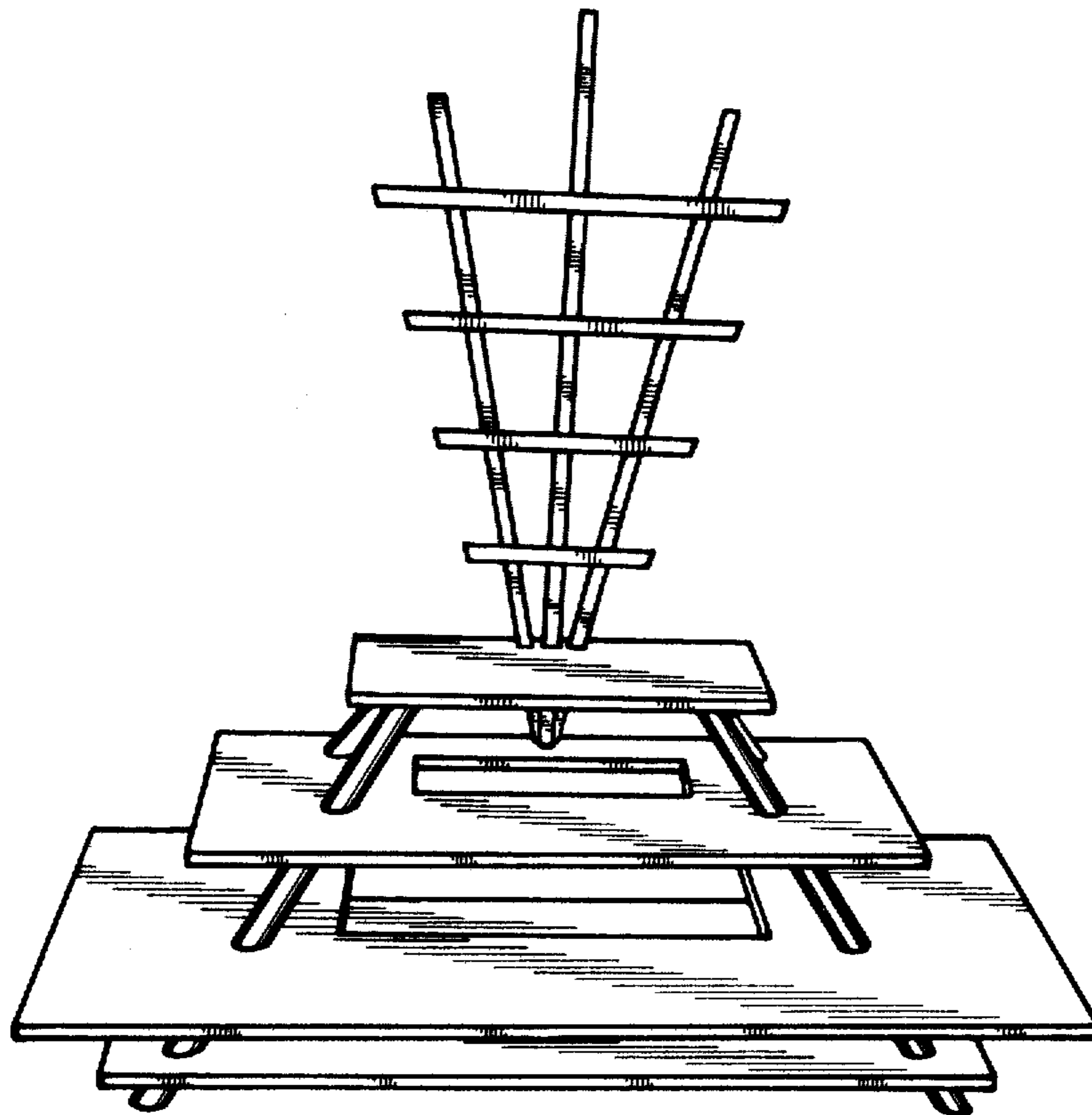
[57] CLAIM

The ornamental design for a flower stand and trellis combination, as shown and described.

DESCRIPTION

FIG. 1 is a front, top perspective view of a flower stand and trellis combination showing my new design, the bottom being unornamented;

FIG. 2 is a side, top perspective view thereof, the side opposite being a mirror image thereof.



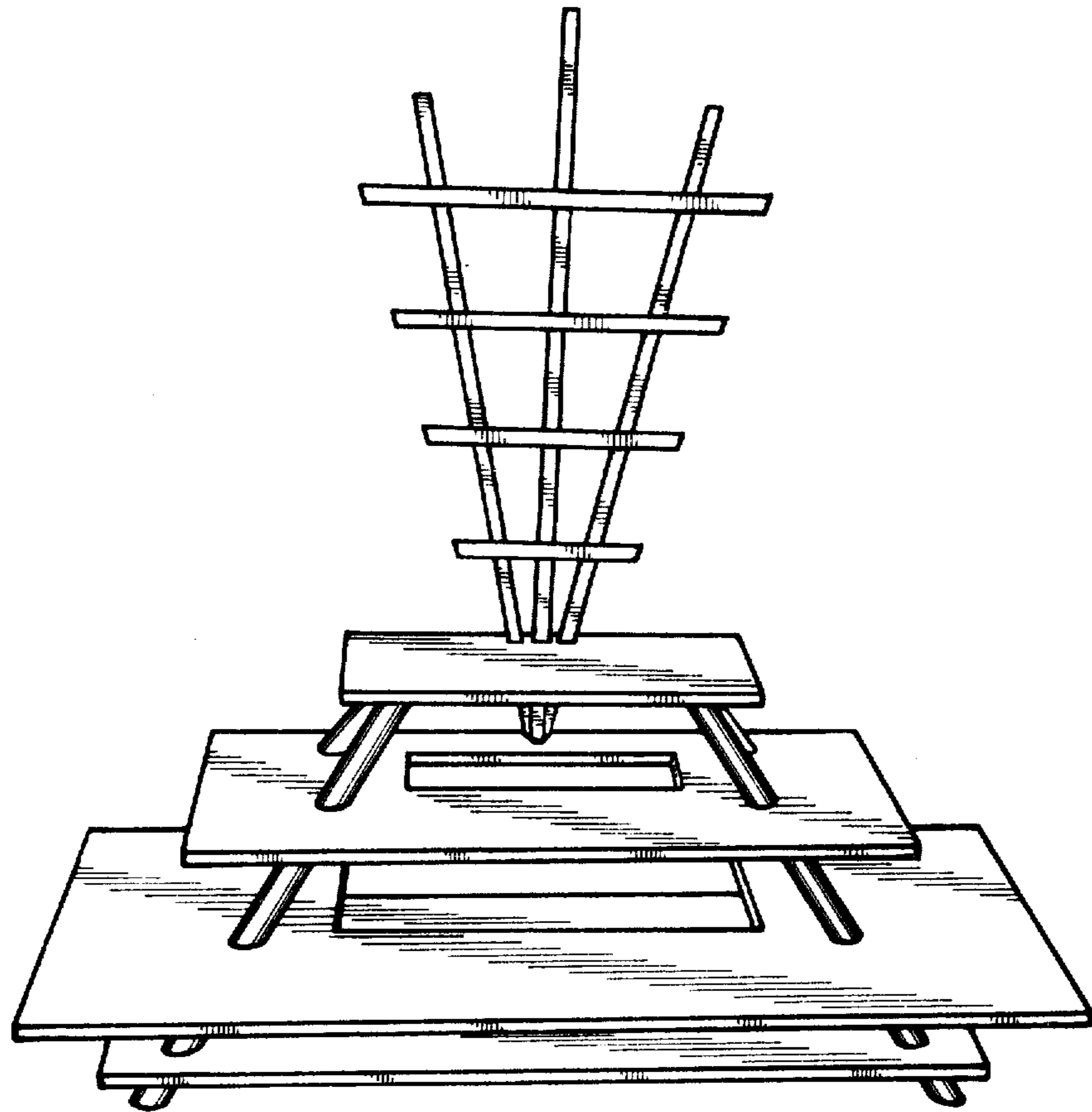


FIG. 1

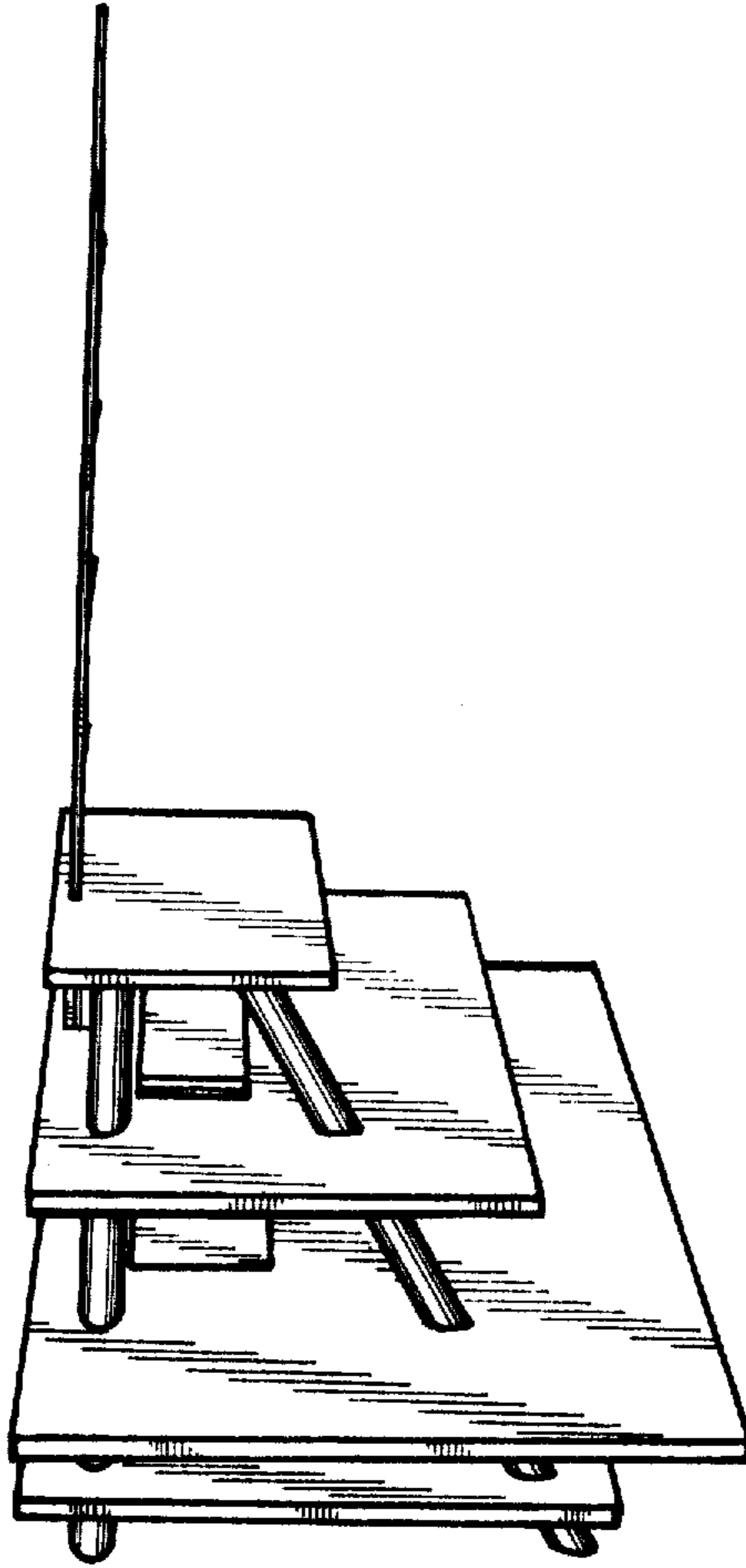


FIG. 2