

[54] COMBINED TABLE AND MULTIPLE SEAT UNIT

[76] Inventor: Jerald L. Connelly, 2201 Hercules Dr., Colorado Springs, Colo. 80906

[**] Term: 14 Years

[21] Appl. No.: 325,352

[22] Filed: Nov. 27, 1981

[51] Int. Cl. D6-05

[52] U.S. Cl. D6/45

[58] Field of Search D6/42, 45, 47, 146-149, D6/145, 177; 297/157

[56] References Cited

U.S. PATENT DOCUMENTS

D. 196,121	8/1963	Soszynski	D6/45
D. 211,796	7/1968	Conklin	D6/45
D. 232,673	9/1974	Taylor	D6/45
D. 235,394	6/1975	Ruth	D6/45

D. 242,305	11/1976	Campbell et al.	D6/45
D. 243,043	1/1977	Rogers	D6/45
D. 266,376	10/1982	Musgrove	D6/45
3,574,395	4/1971	Pongracz	297/158

Primary Examiner—Bruce W. Dunkins
Attorney, Agent, or Firm—Gary M. Polumbus

[57] CLAIM

The ornamental design for a combined table and multiple seat unit, as shown.

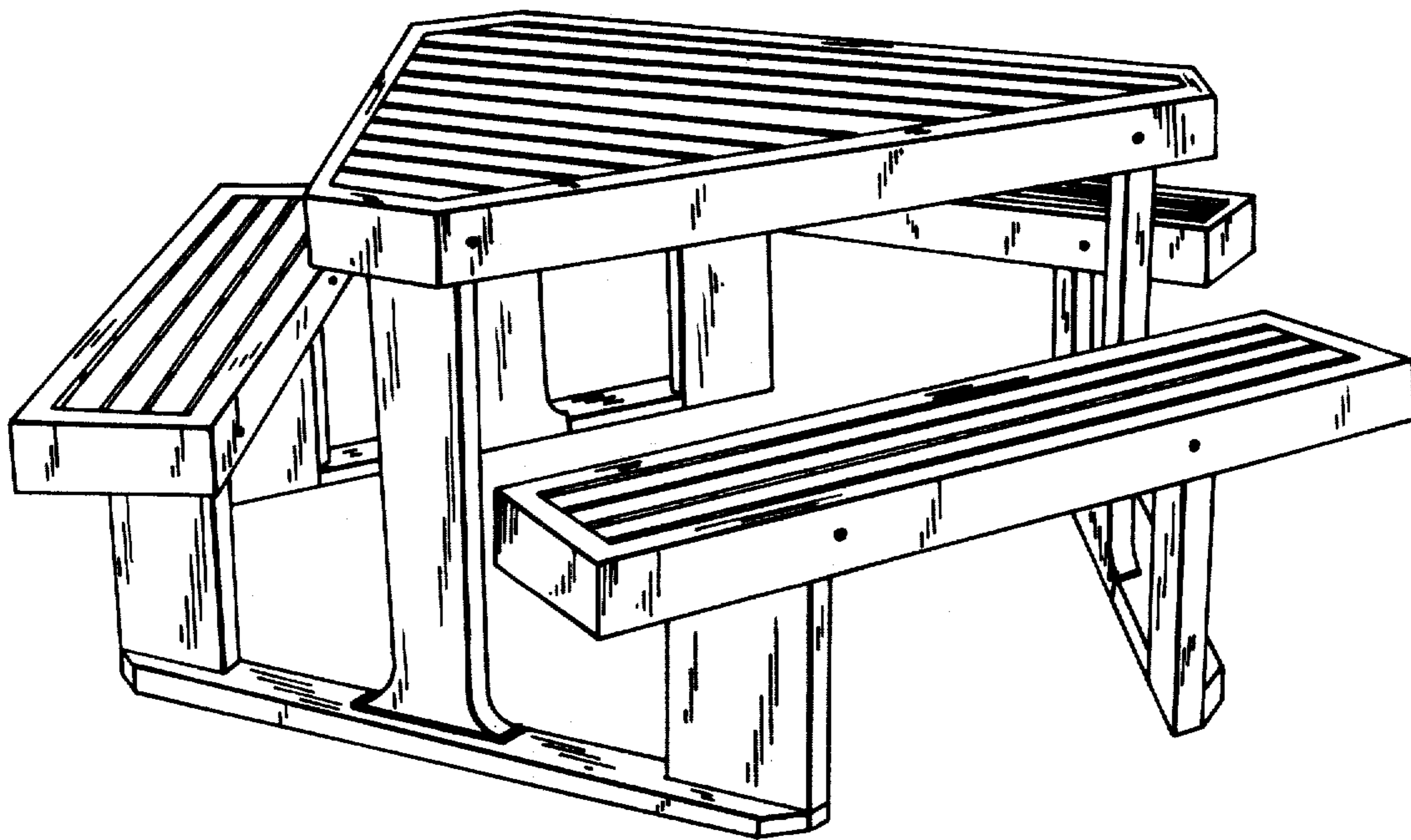
DESCRIPTION

FIG. 1 is a perspective view of a combined table and multiple seat unit of the present invention.

FIG. 2 is a top plan view of the article shown in FIG. 1. FIG. 3 is an enlarged side elevation of the article of FIG. 1 looking toward a corner of the triangular table top.

FIG. 4 is an enlarged side elevational view of the article of FIG. 1 looking toward an elongated side edge of the triangular table top.

FIG. 5 is a bottom plan view of the article of FIG. 1.



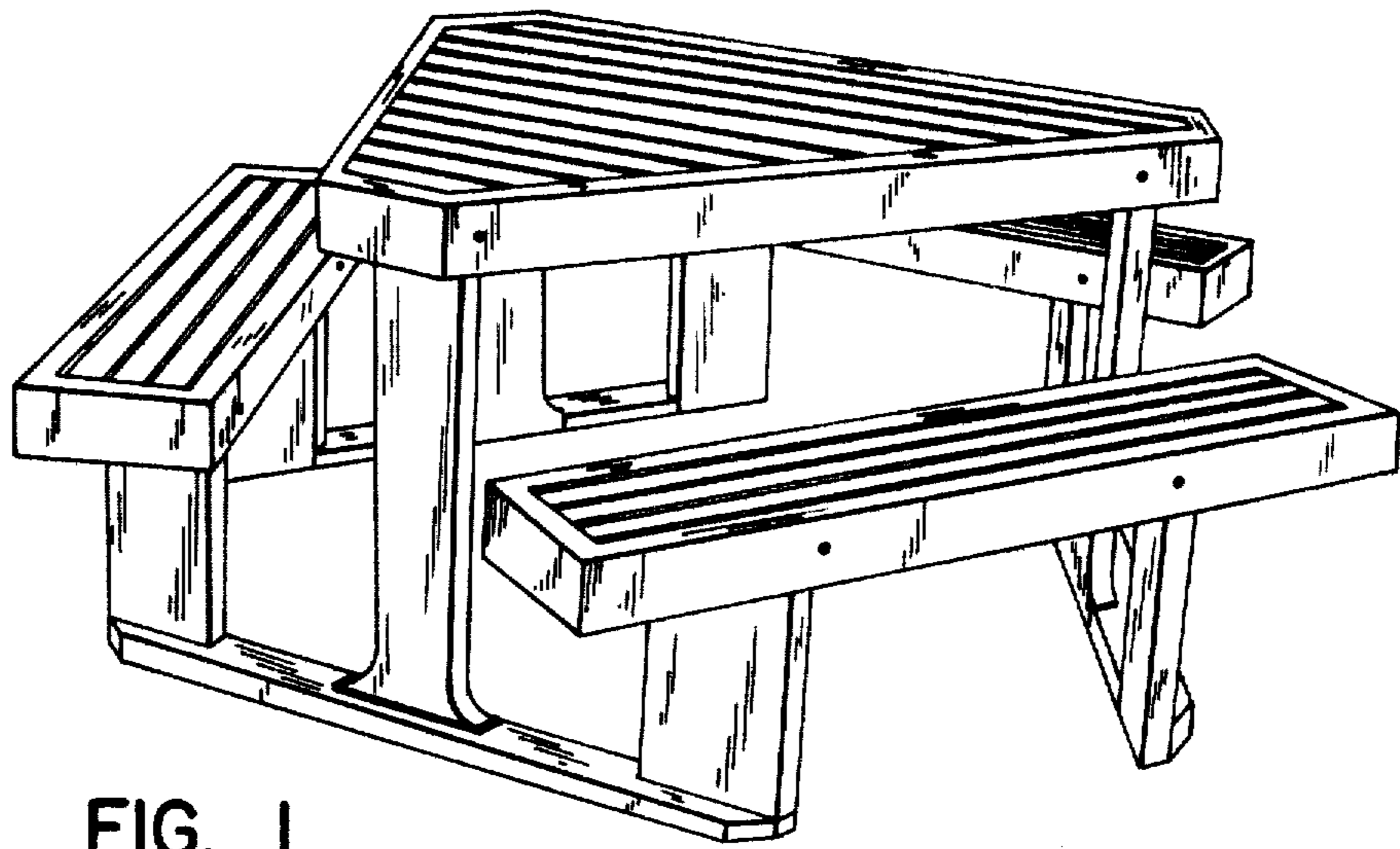


FIG. 1

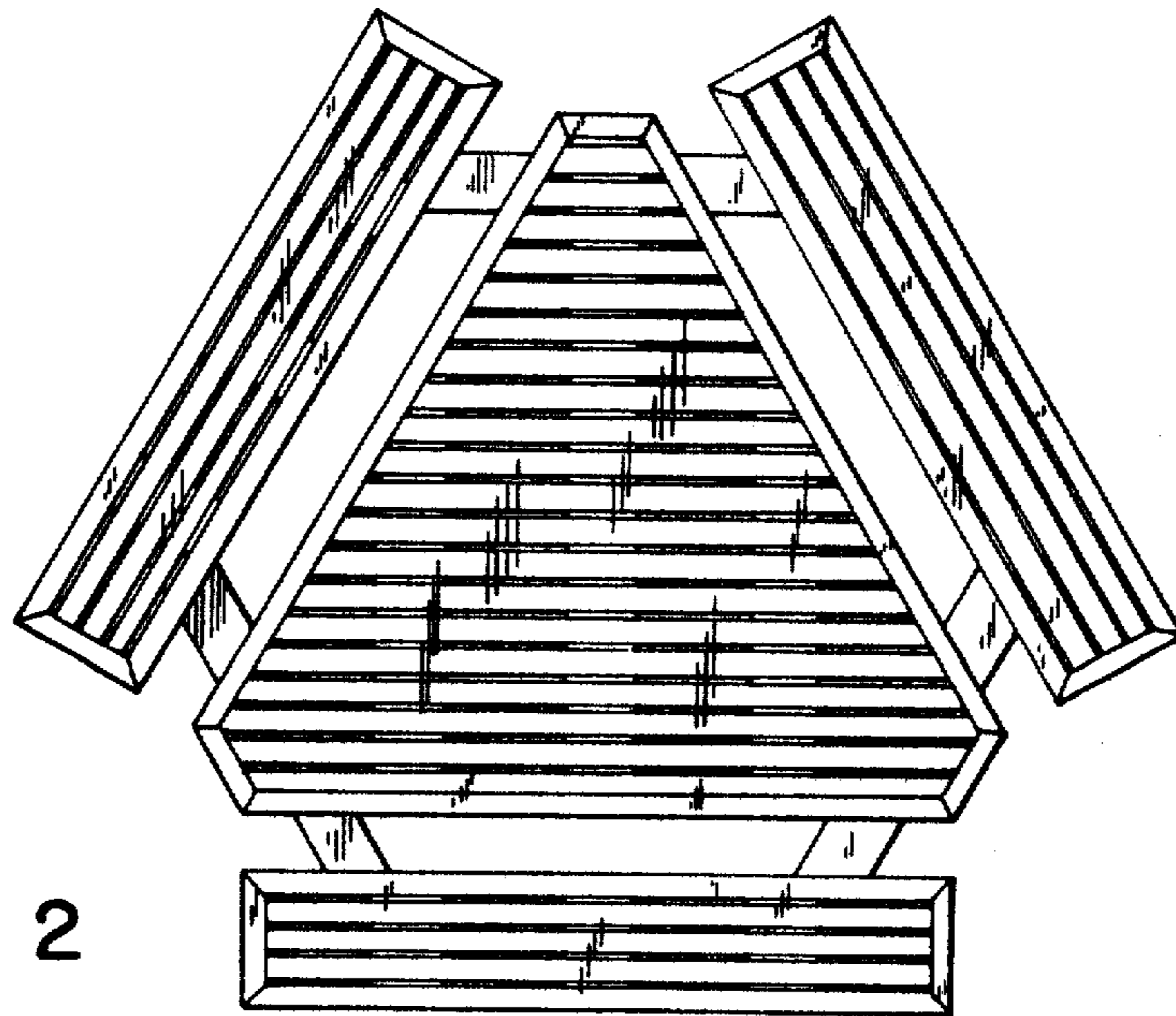


FIG. 2

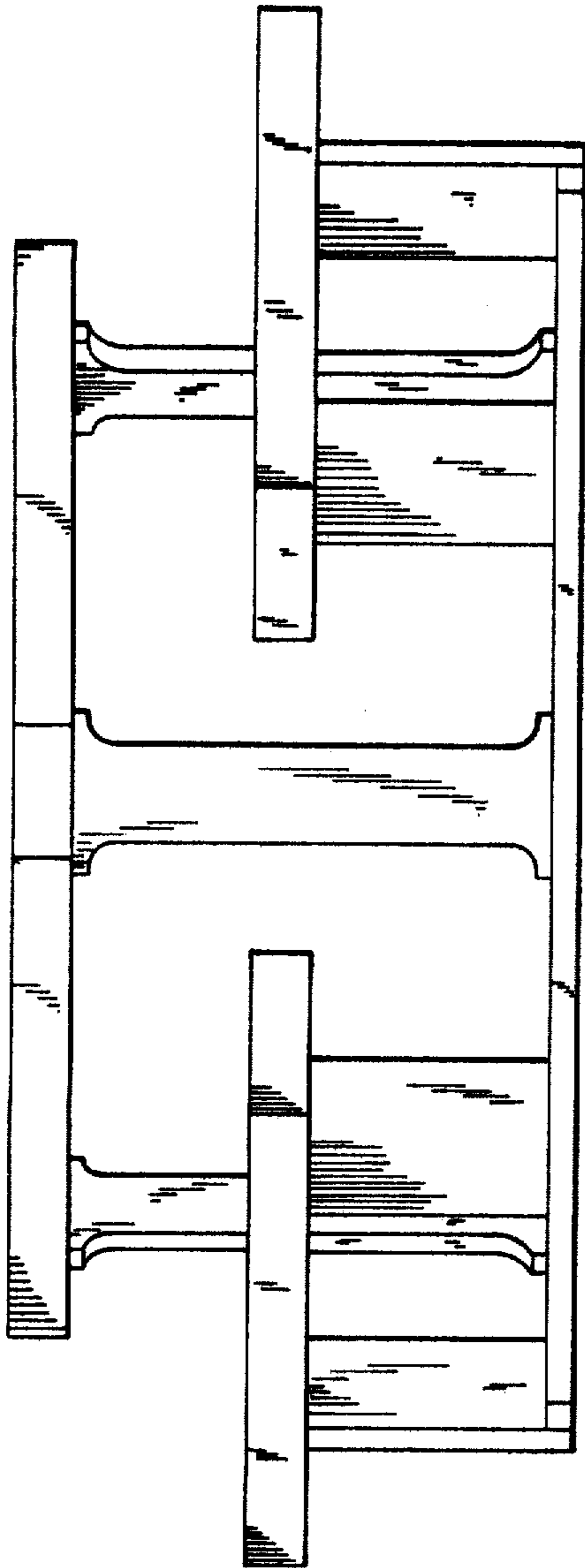


FIG. 3

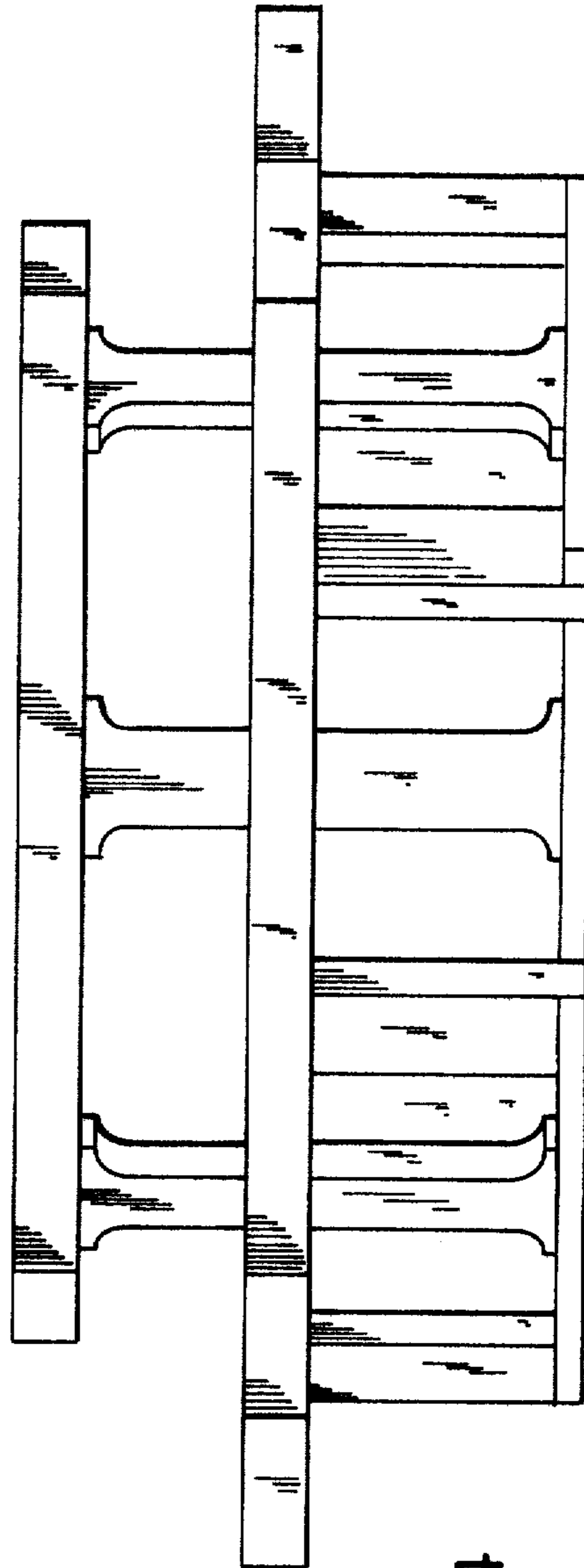


FIG. 4

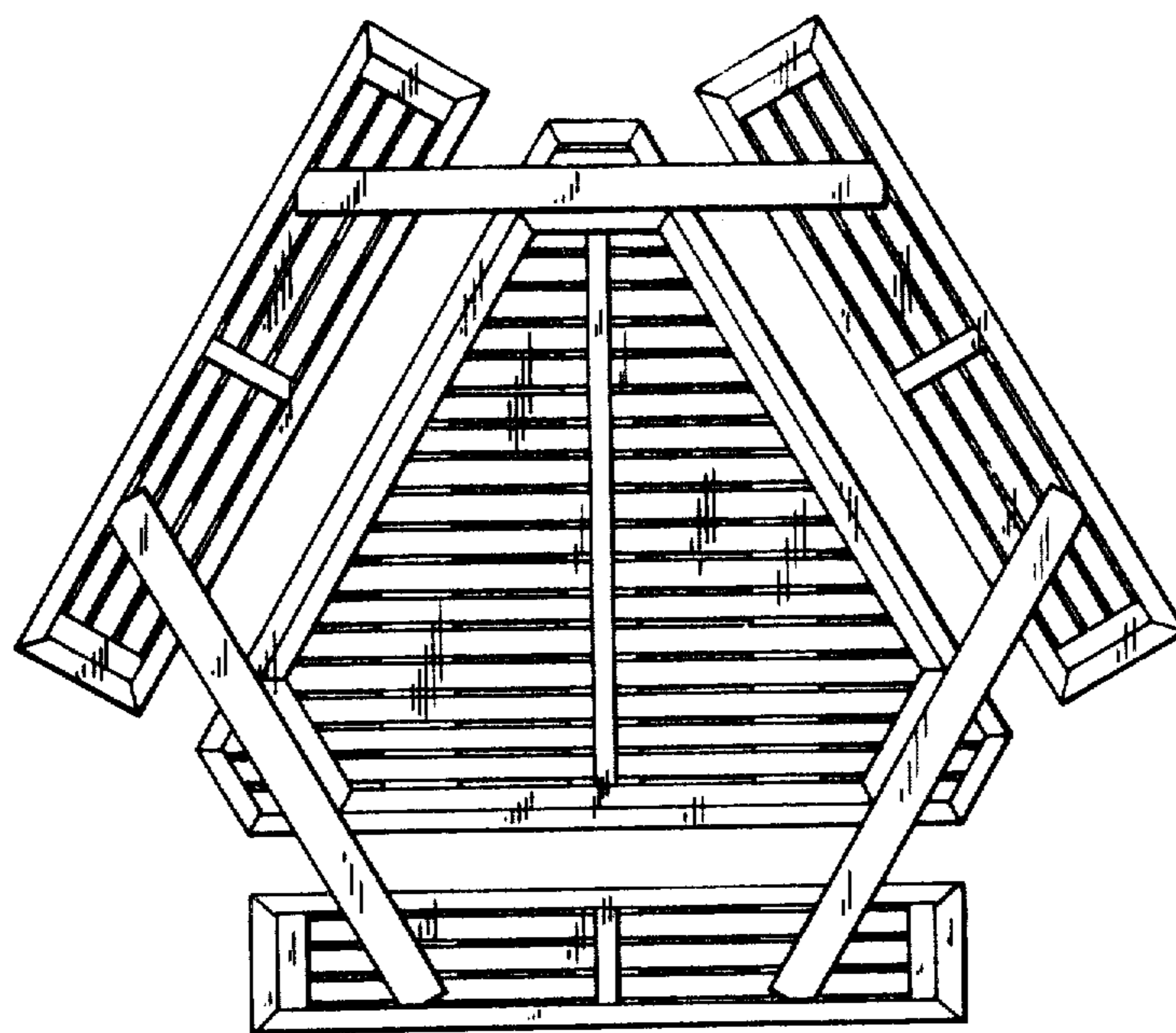


FIG. 5