

[54] COMBINED AIR PILLOW AND UTILITY BAG
[76] Inventor: Leonard A. Dziurman, Jr., 14912 Newport Ave., Apt. E, Tustin, Calif. 92680

2,462,215 2/1949 Norman et al. 150/11
2,751,953 6/1956 Grimm 5/442
4,164,970 8/1979 Jordan 190/43
4,222,468 9/1980 De Fries 190/42
4,267,868 5/1981 Lowe 150/11

[**] Term: 14 Years
[21] Appl. No.: 348,292
[22] Filed: Feb. 12, 1982

Primary Examiner—George P. Word
Attorney, Agent, or Firm—Francis X. LoJacono

[51] Int. Cl. D3—01
[52] U.S. Cl. D3/41; D6/201
[58] Field of Search D3/30.1, 36, 41, 43, D3/76, 71; 150/11, 1; 190/42—44; 5/434, 441, 442; D6/201

[57] CLAIM

The ornamental design for a combined air pillow and utility bag, as shown and described.

DESCRIPTION

FIG. 1 is a perspective view of a combined air pillow and utility bag, showing my new design; FIG. 2 is a front-elevational view thereof; FIG. 3 is a rear-elevational view thereof; and FIG. 4 is a cross-sectional view taken substantially along line 4—4 of FIG. 1 with the inflatable inner bag shown in full.

[56] References Cited
U.S. PATENT DOCUMENTS
464,813 12/1891 Buntrock D6/201

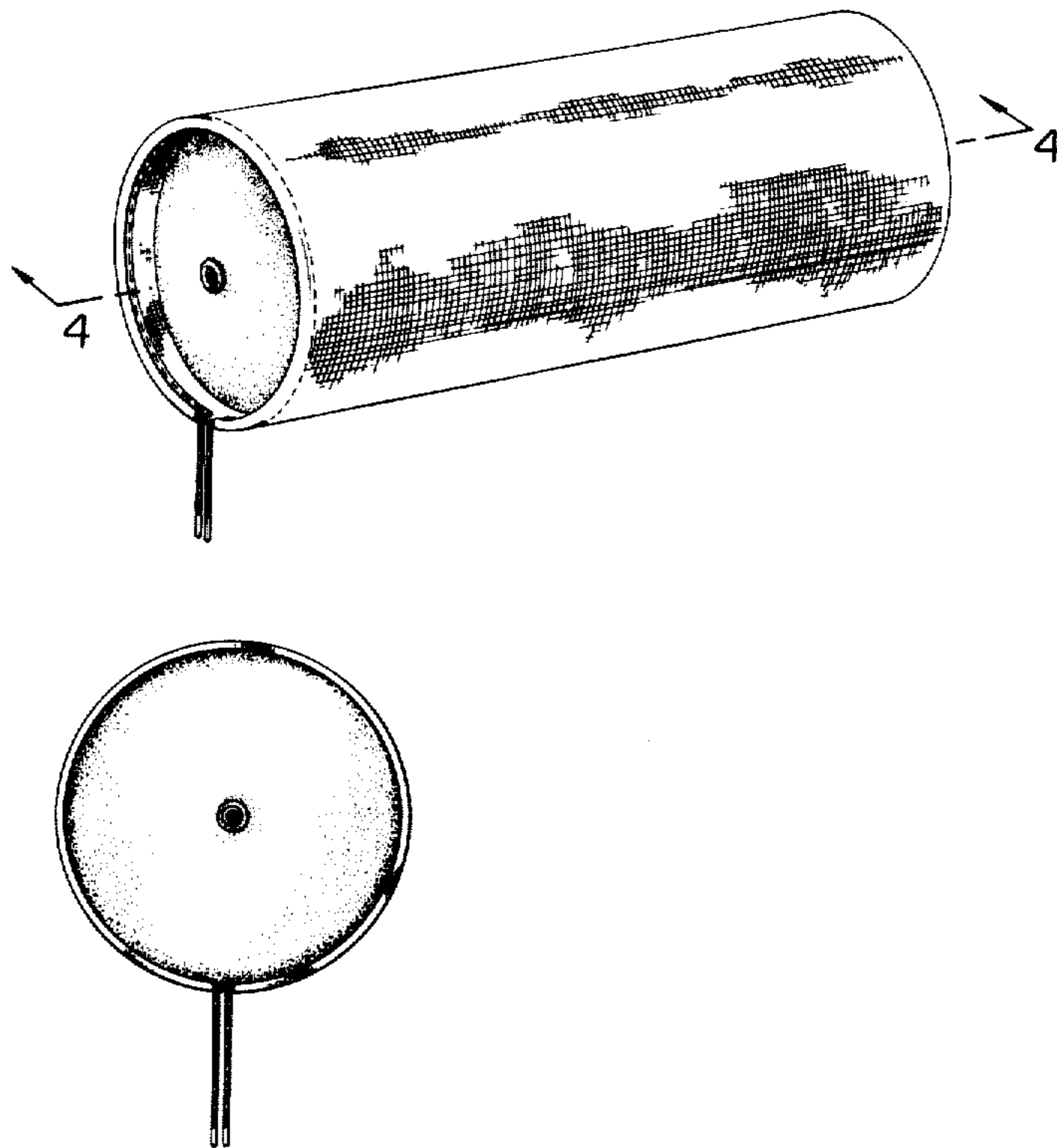


FIG. 1

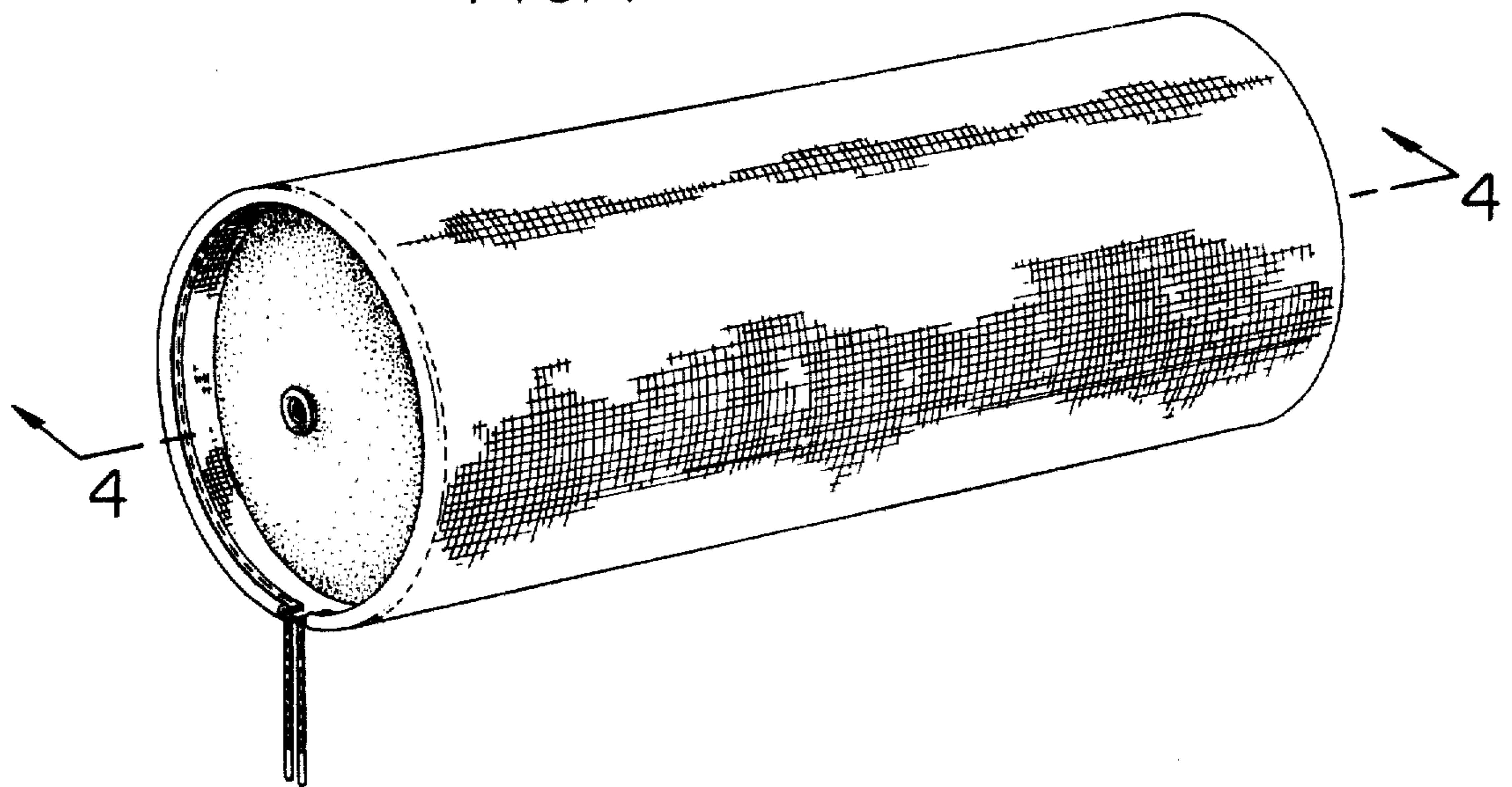


FIG. 2

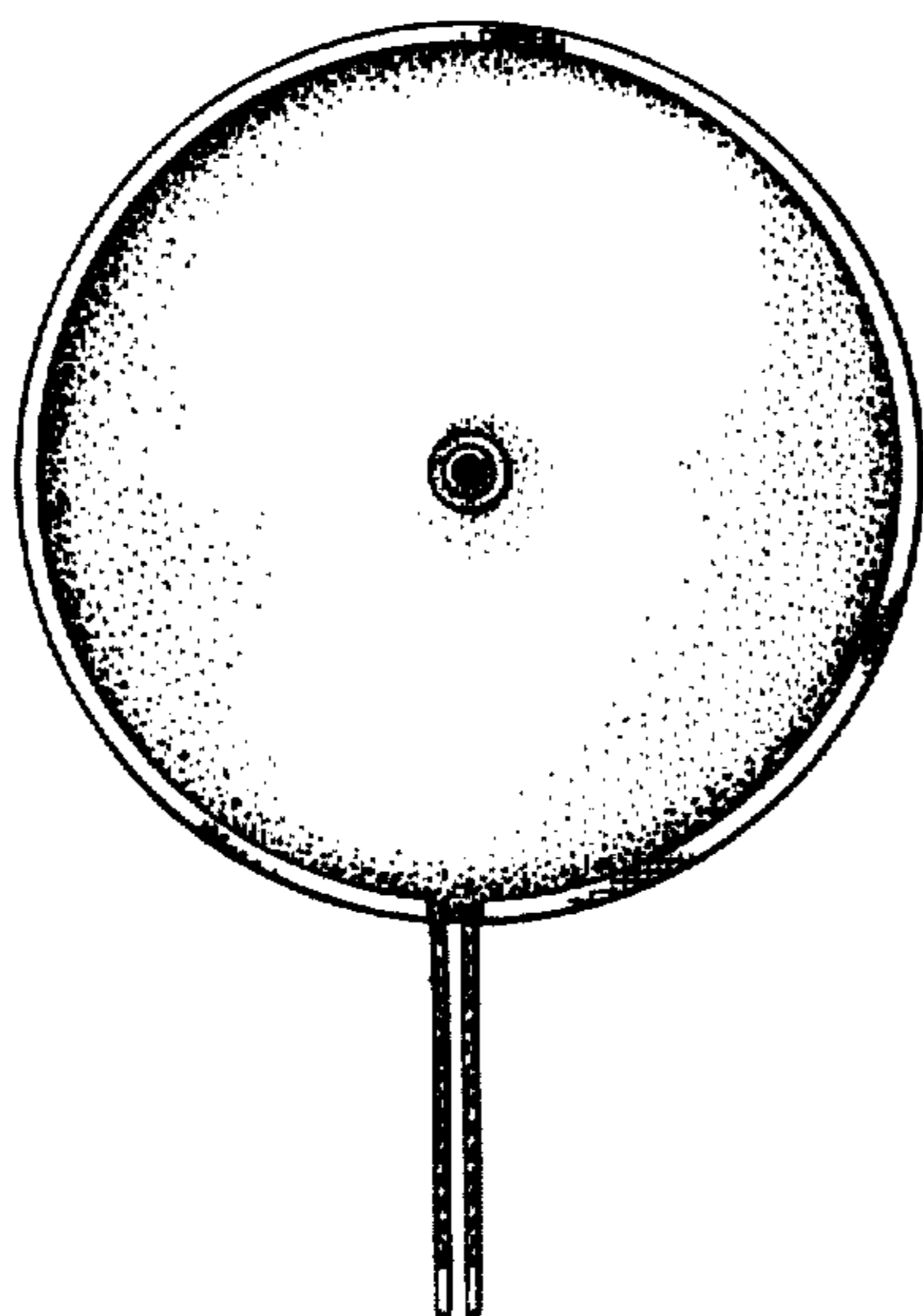


FIG. 3

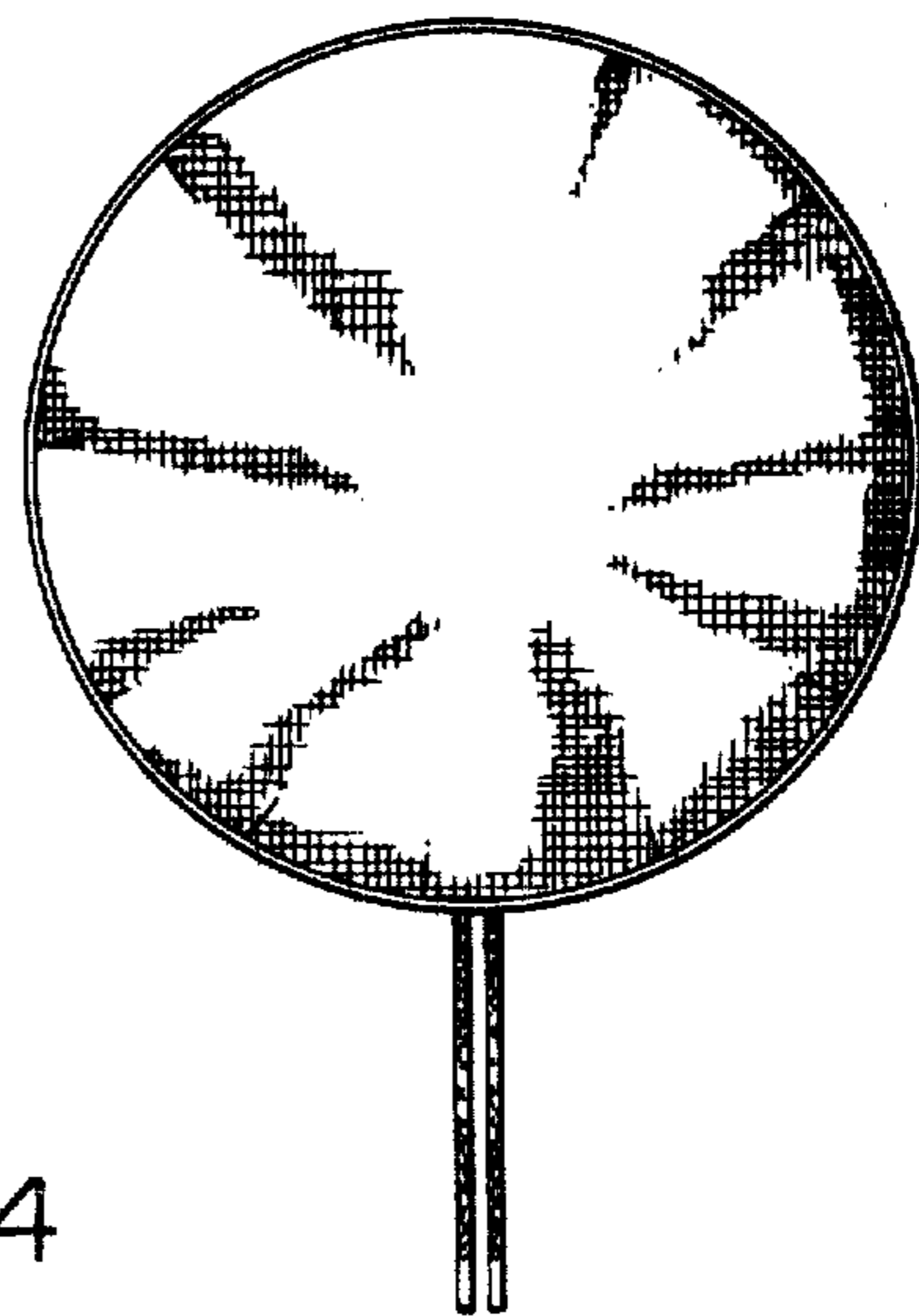


FIG. 4

