

- [54] **TAPE CASSETTE STORAGE AND CARRYING CASE**
- [76] Inventor: **David M. Stravitz**, 16 Park Ave. (Ste. 14A), New York, N.Y. 10016
- [**] Term: **14 Years**
- [21] Appl. No.: **258,009**
- [22] Filed: **Apr. 27, 1981**
- [51] Int. Cl. **D3—02**
- [52] U.S. Cl. **D3/35; D3/30.1; D3/73; D3/74**
- [58] Field of Search **D3/30.1, 33, 35, 36, D3/42, 74; D6/37; 206/634, 387, 549; 312/10-12, 244; D9/420; 220/4 K, 343**

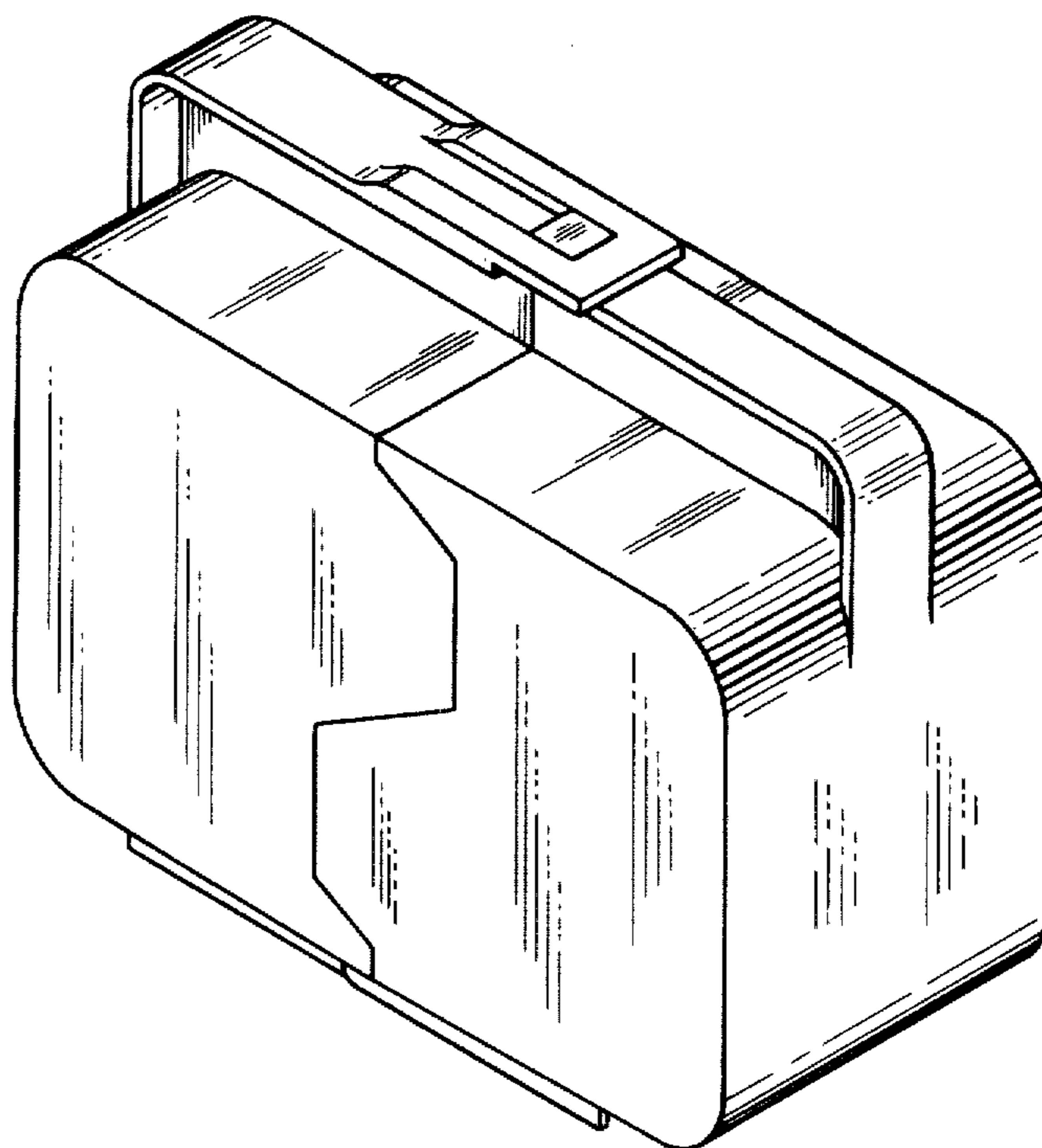
- [56] **References Cited**
- U.S. PATENT DOCUMENTS**
- D. 165,219 11/1951 Degner 206/549
- D. 232,782 9/1974 Kryter D3/35
- 626,141 5/1899 Carter 220/4 E
- 2,740,632 4/1956 Balmer 220/343
- 3,710,900 1/1973 Fink 312/10
- 4,164,309 8/1979 Staats 206/387
- 4,189,054 2/1980 Liu et al. 206/634
- FOREIGN PATENT DOCUMENTS**
- 63875 8/1945 Denmark 312/10

Primary Examiner—George P. Word
Attorney, Agent, or Firm—Frishauf, Holtz, Goodman & Woodward

[57] **CLAIM**
 The ornamental design for a tape cassette storage and carrying case, as shown and described.

DESCRIPTION

FIG. 1 is a front perspective view of a tape cassette storage and carrying case embodying my new design; FIG. 2 is a front elevational view thereof, the rear elevational view being identical; FIG. 3 is a left side elevational view thereof, the right side elevational view being identical; FIG. 4 is a front elevational view thereof, in the open state; FIG. 5 is a bottom plan view thereof; FIG. 6 is a top plan view thereof; FIG. 7 is a cross-sectional view taken along line 7—7 of FIG. 6; FIG. 8 is a cross-sectional view taken along line 8—8 of FIG. 6; FIG. 9 is a reduced scale bottom plan of FIG. 2; FIG. 10 is a modified form of the tape cassette storage and carrying case; and FIG. 11 is a perspective view of the modified form of FIG. 10, the opposite side perspective view being a mirror image.



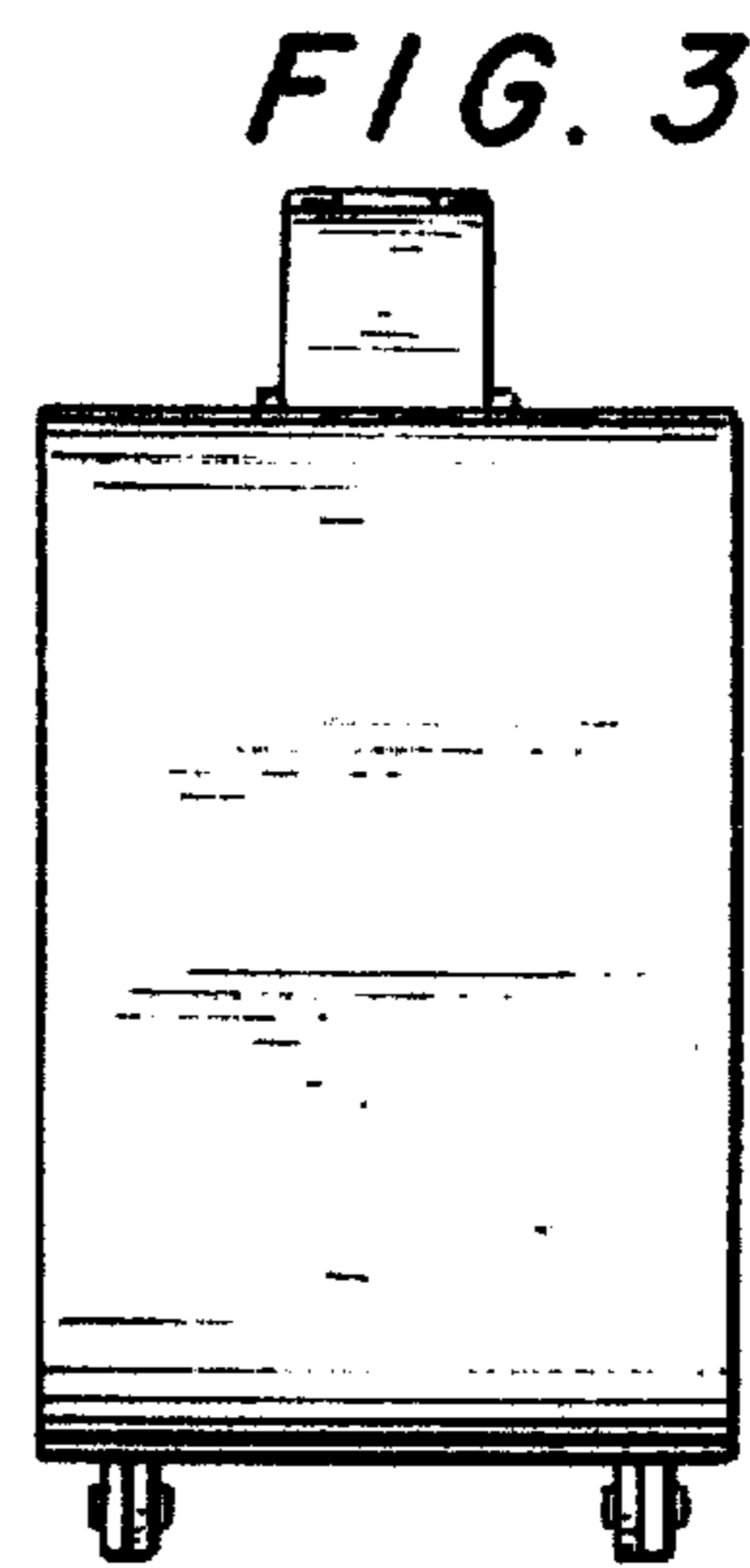
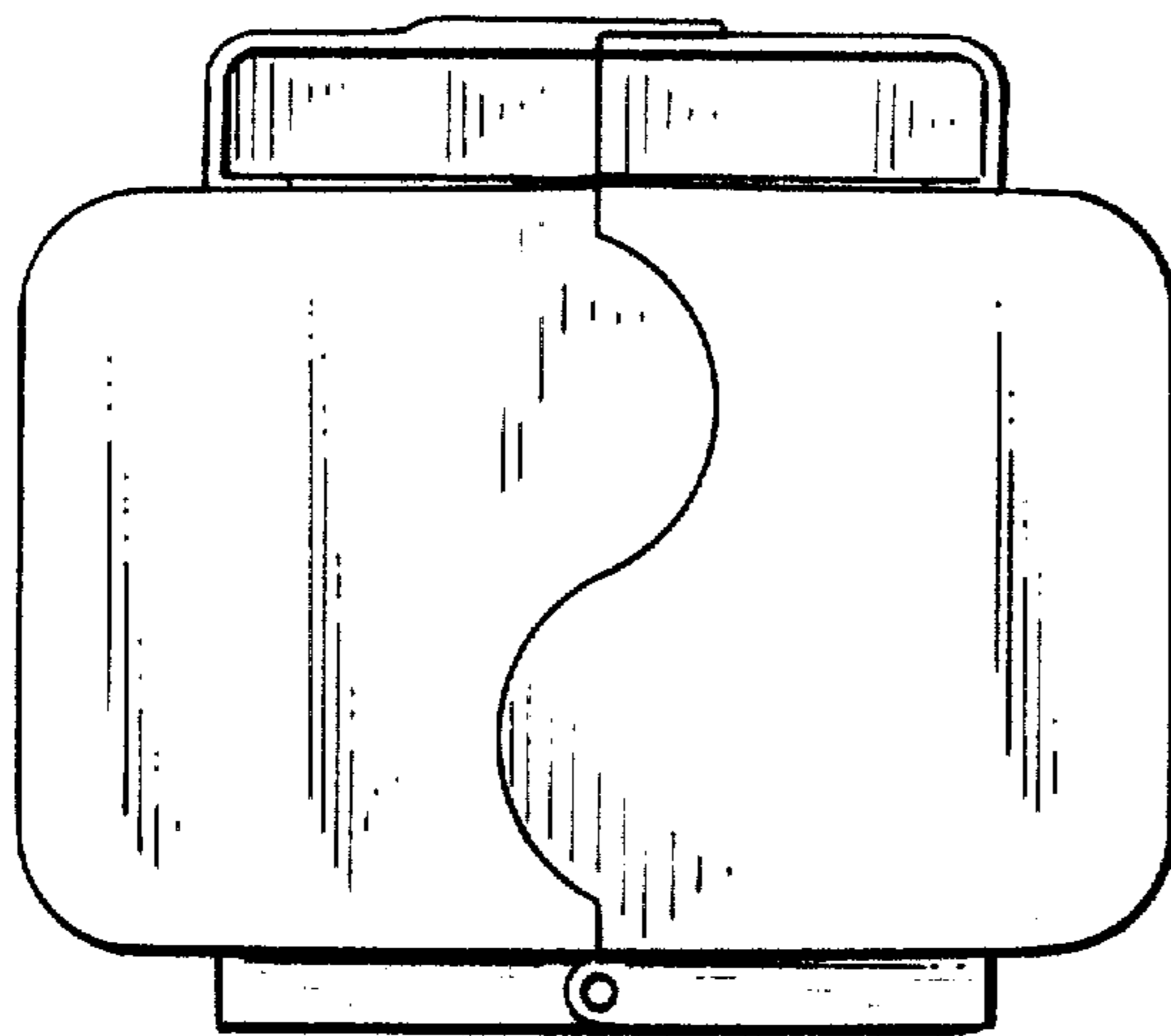
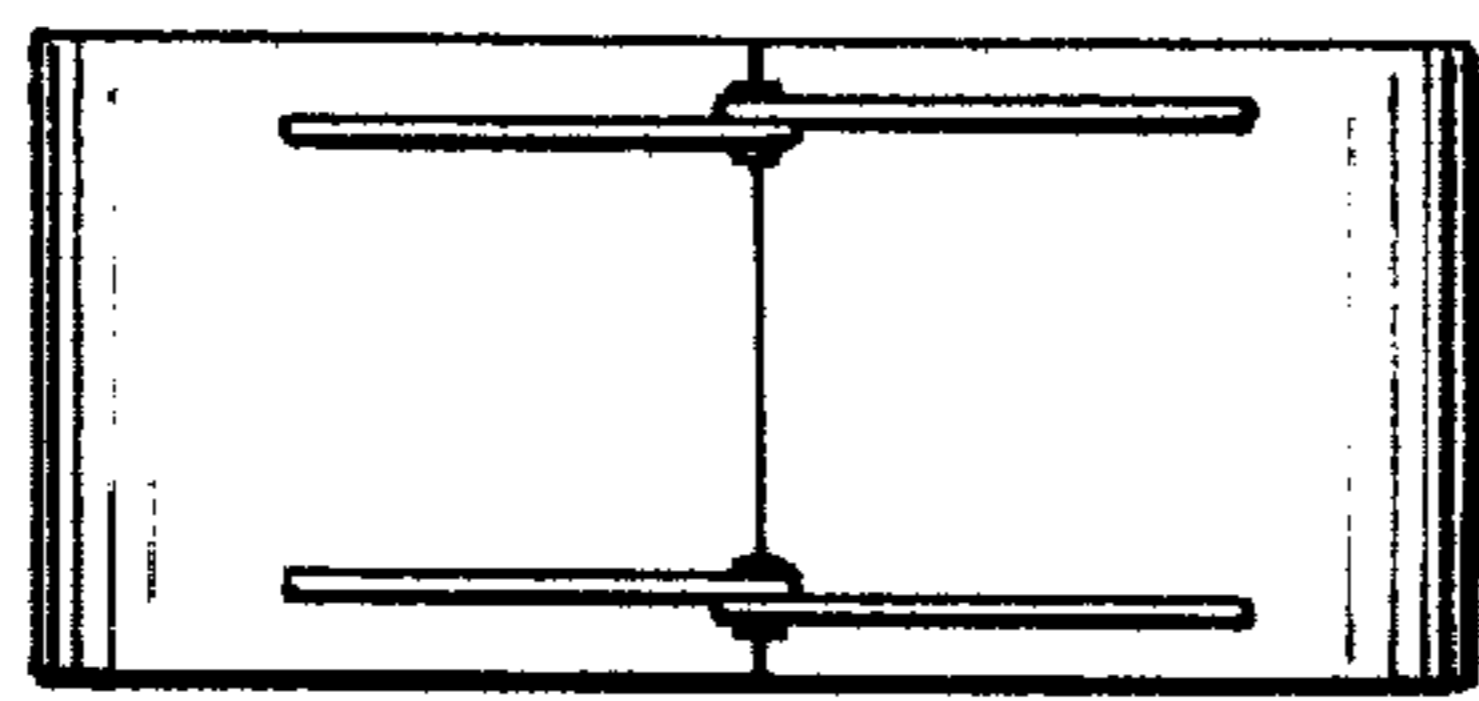
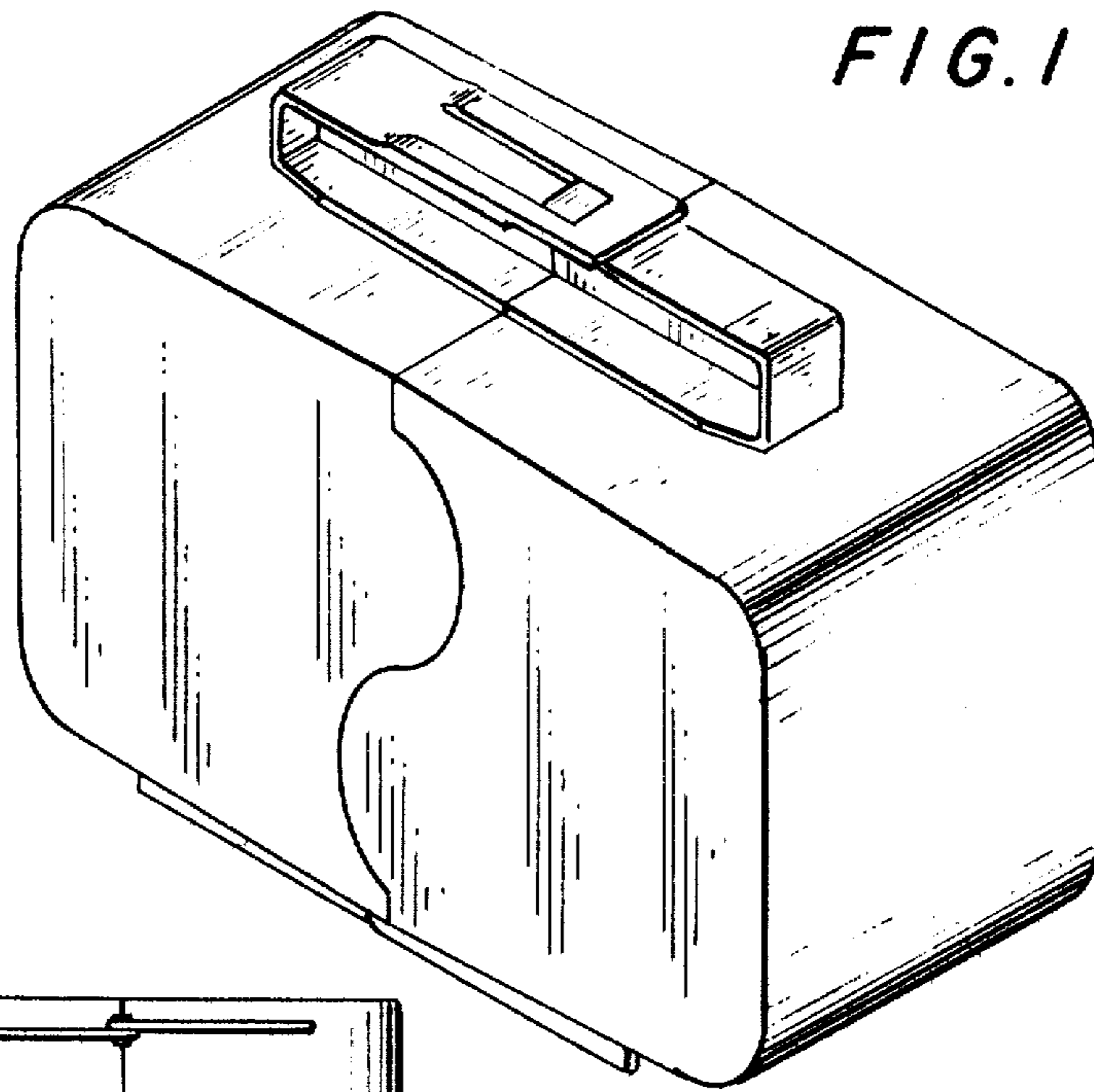


FIG. 4

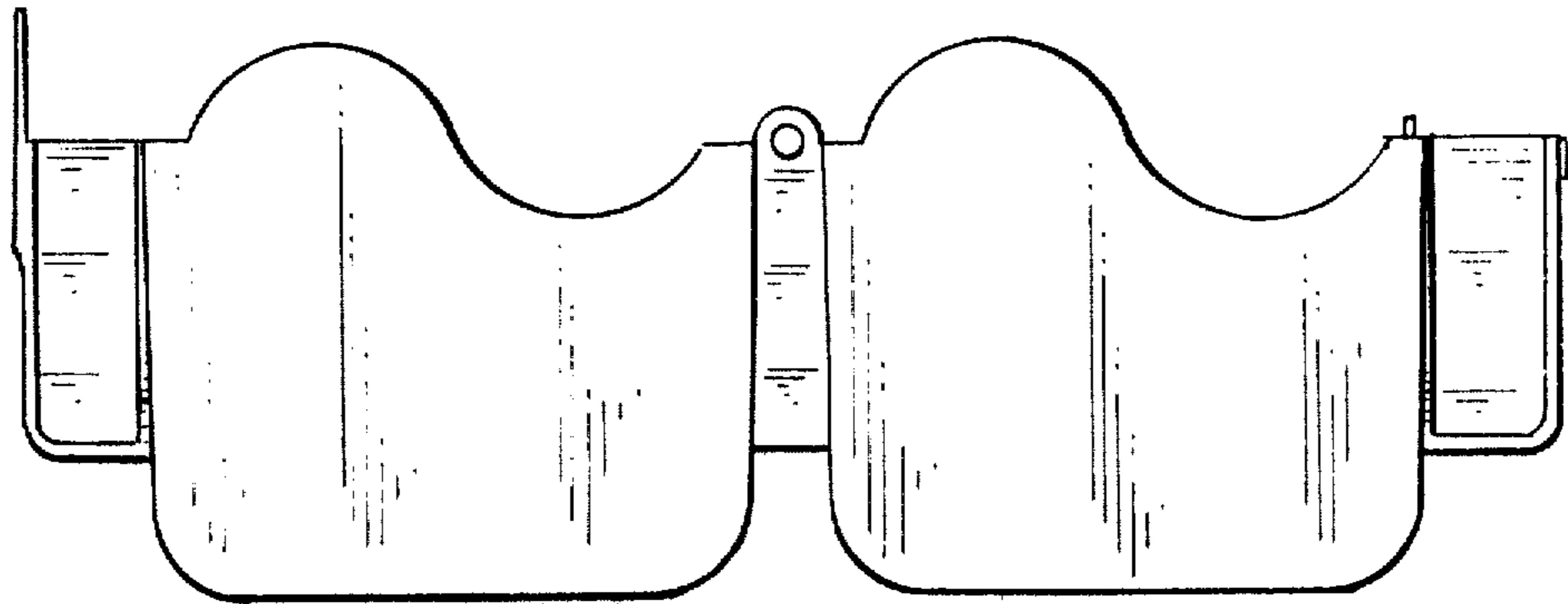


FIG. 5

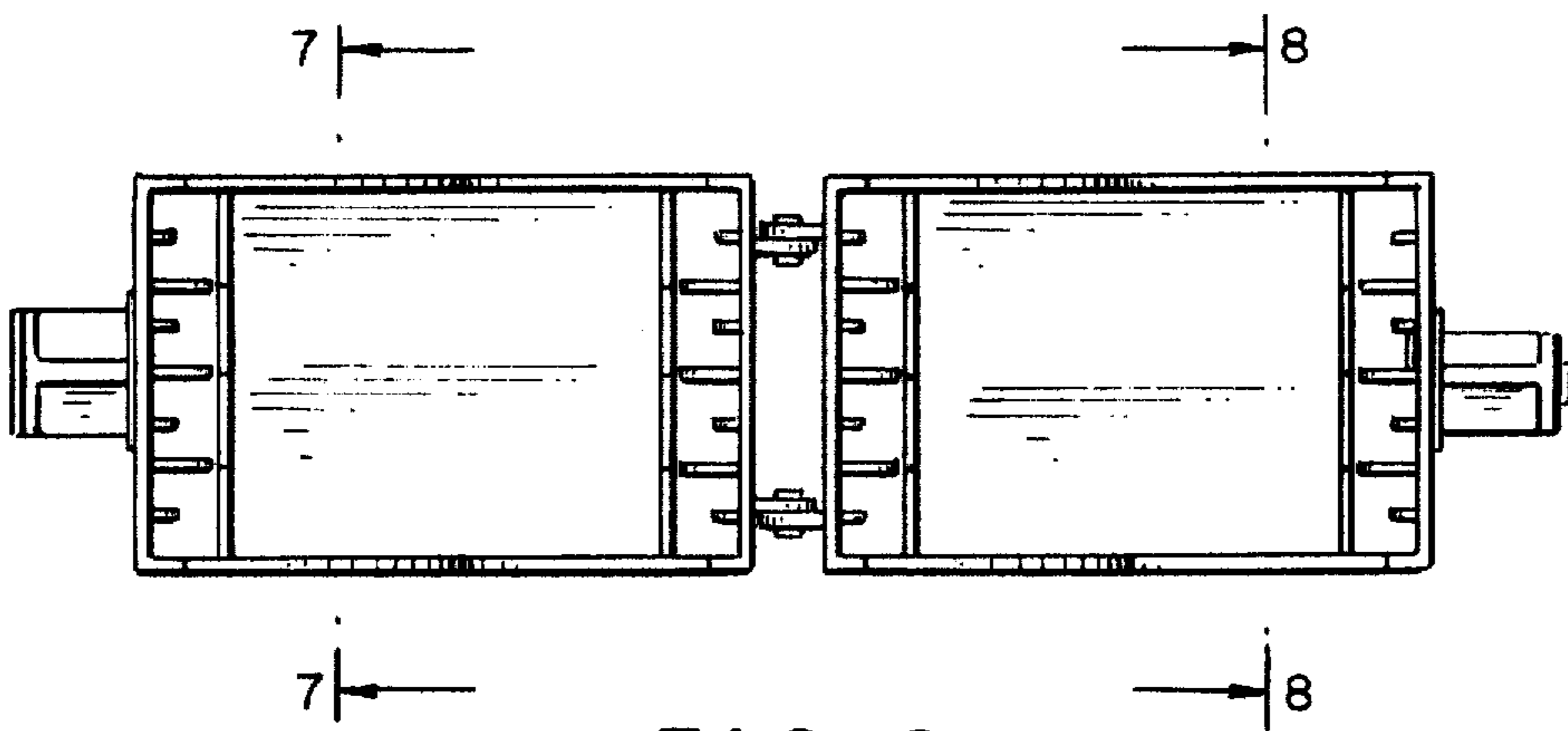
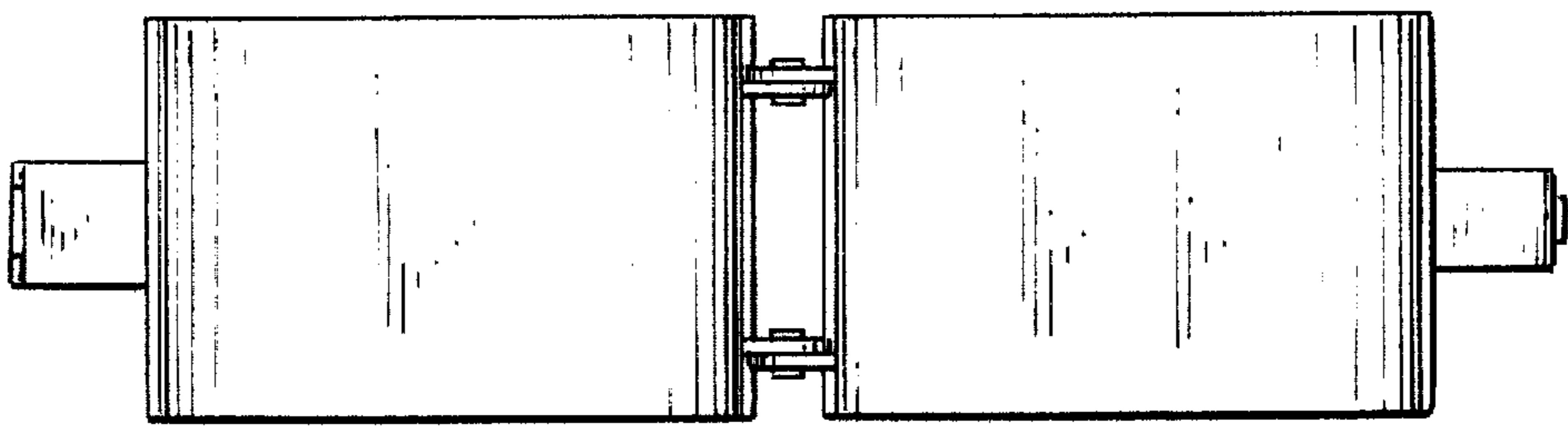


FIG. 6

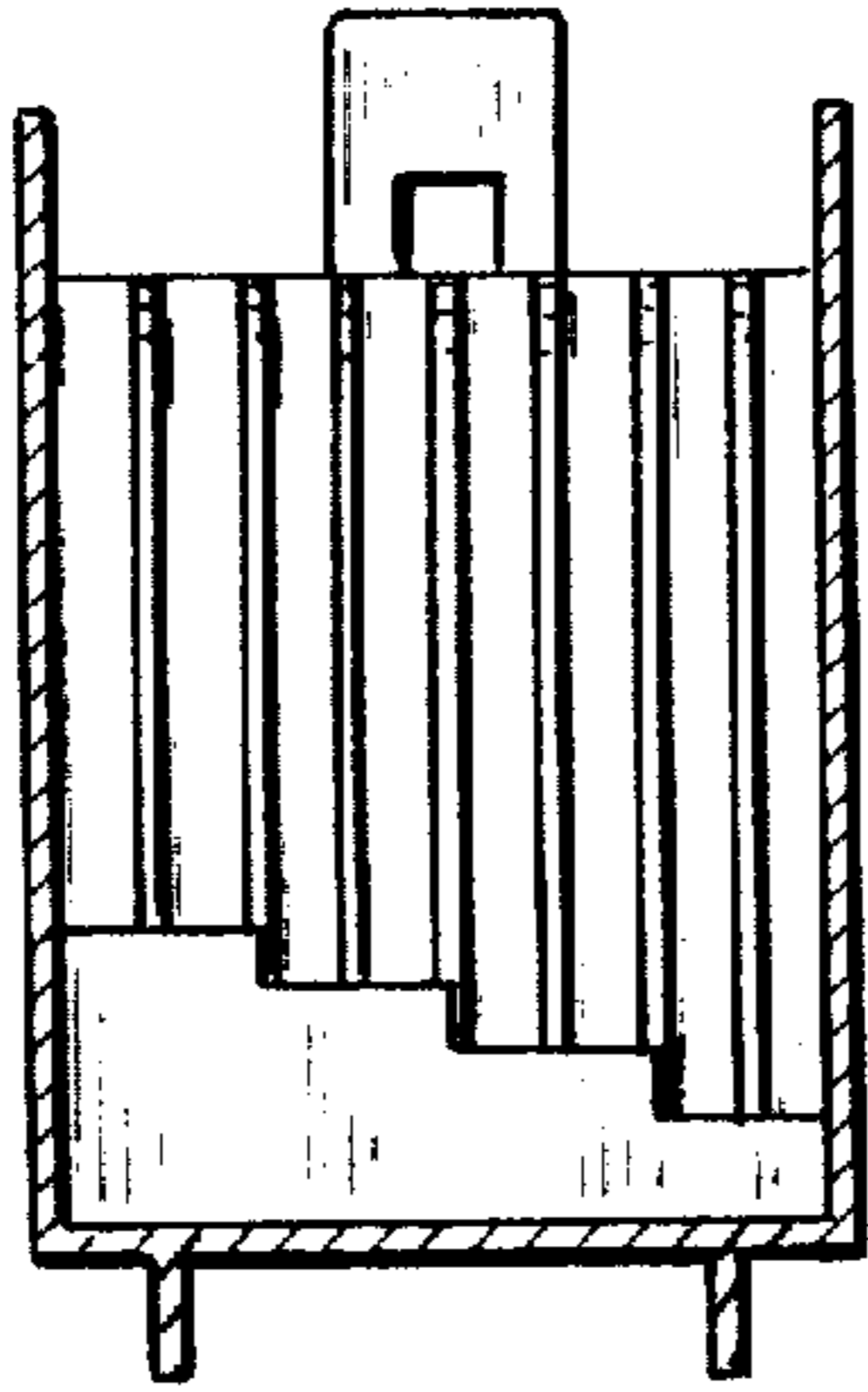


FIG. 7

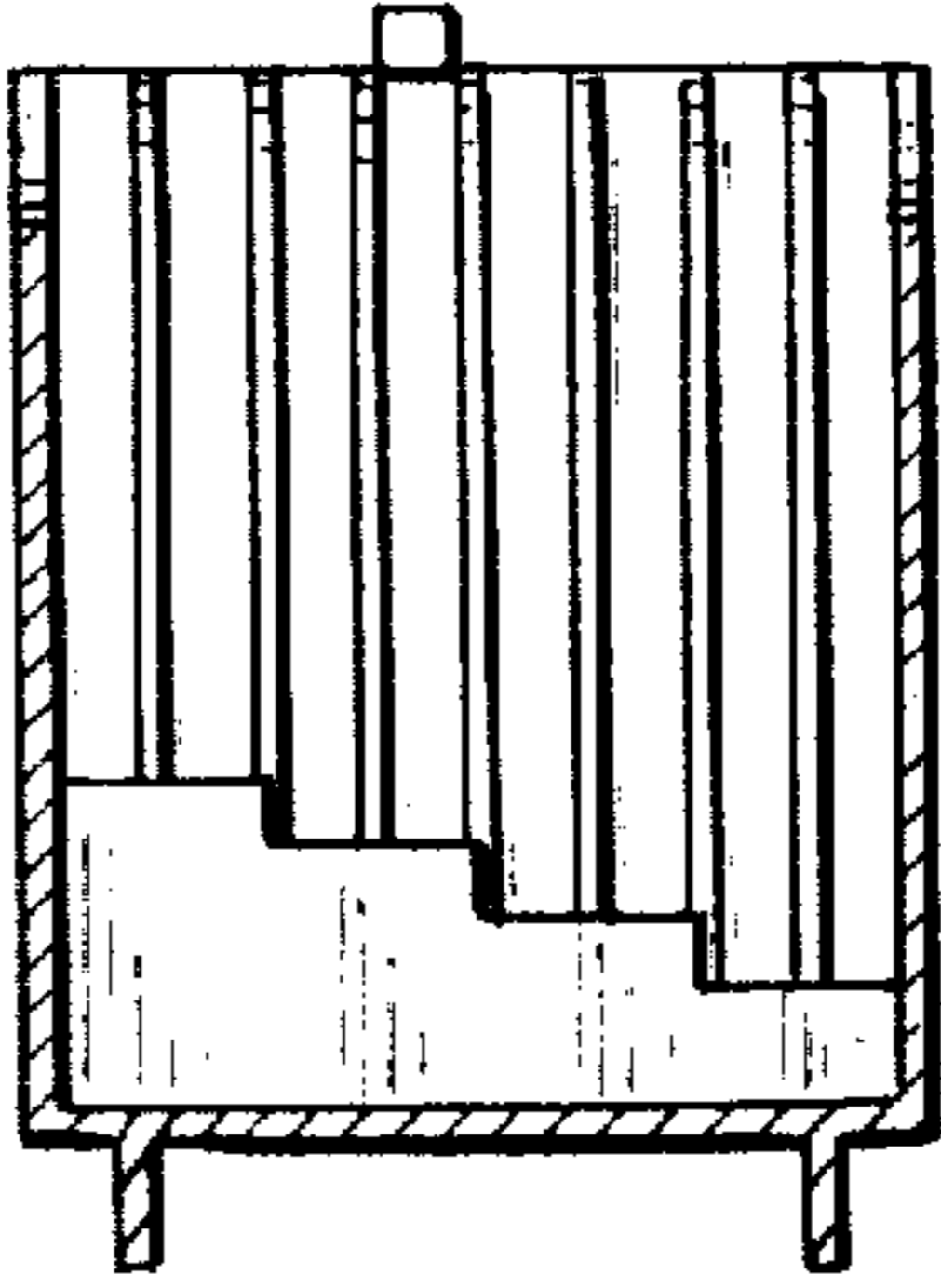


FIG. 8

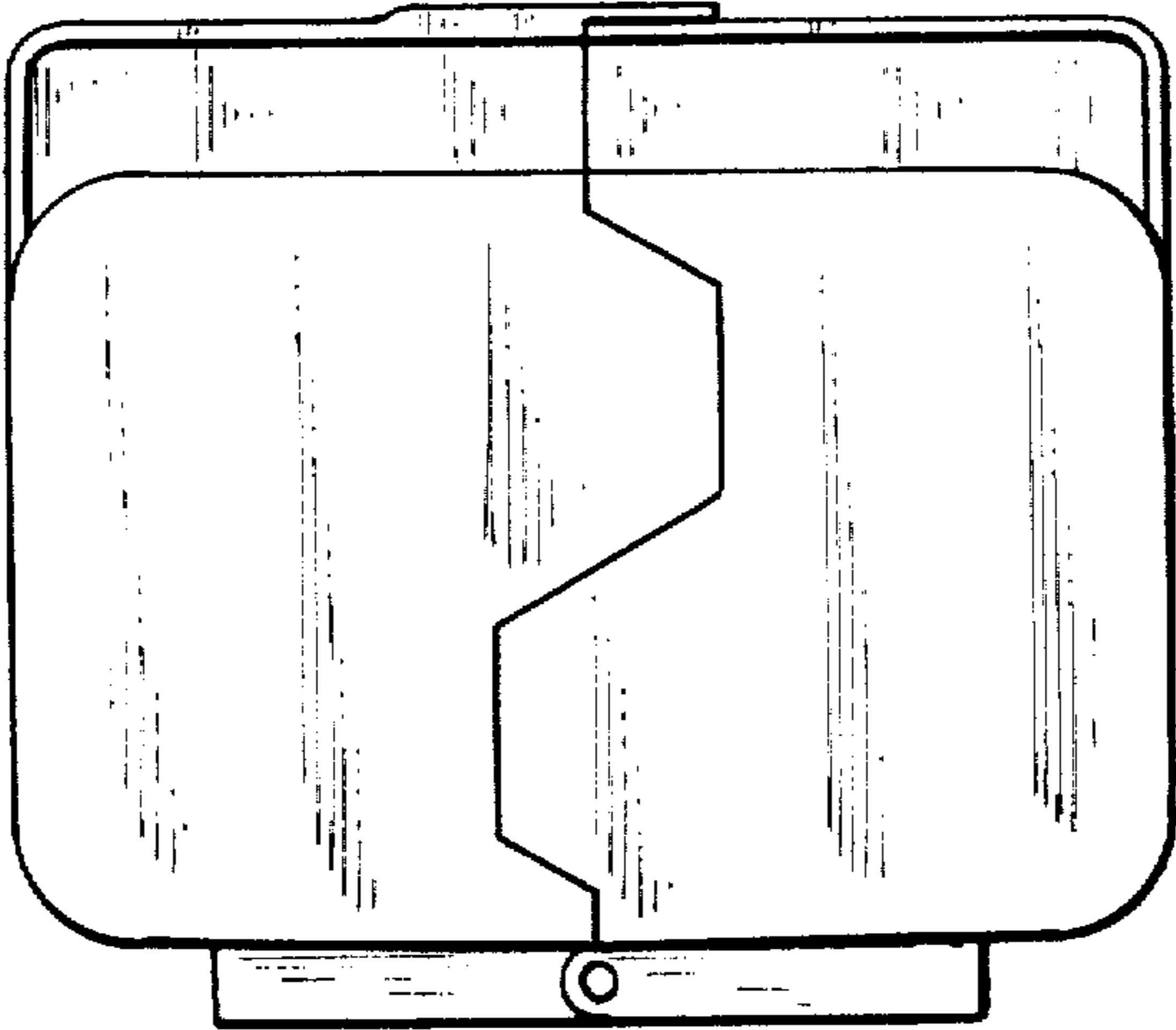


FIG. 10

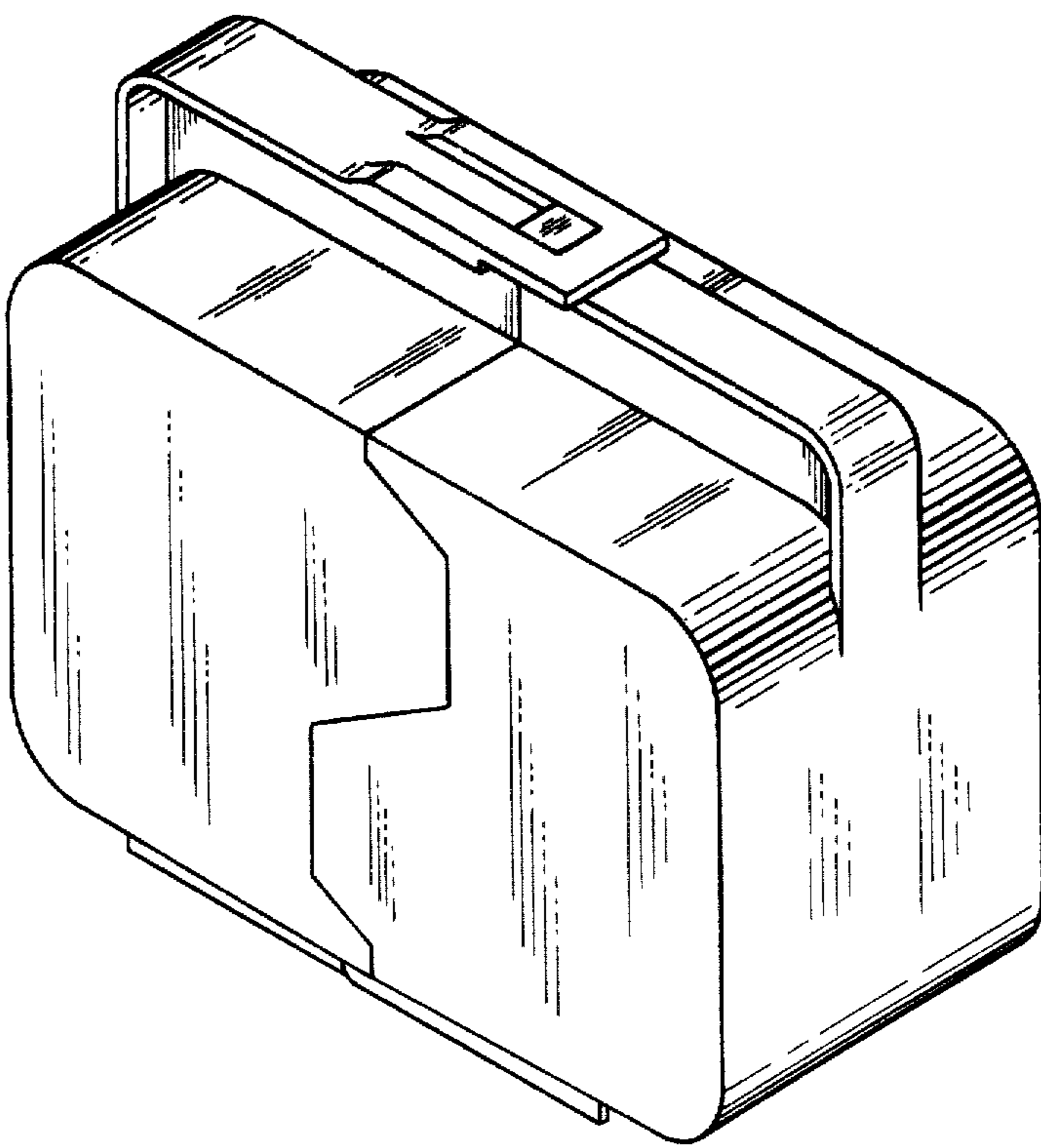


FIG. II