

[54] BUCKLE FOR SWIMMING MASK AND FOOT FINS

[76] Inventor: **Tatsuhiko Ikeda**, No. 22-2, Sengoku 4-chome, Bunkyo-ku, Tokyo-to, Japan

[**] Term: **14 Years**

[21] Appl. No.: **222,956**

[22] Filed: **Jan. 6, 1981**

[30] Foreign Application Priority Data

Jul. 16, 1980 [JP] Japan 55-28372

[51] Int. Cl. D02-07

[52] U.S. Cl. D2/405

[58] Field of Search D2/405, 409; 24/198, 24/199, 200, 163 R, 164; D21/239; 24/196, 197, 198, 199, 195, 200, 172

[56] References Cited

U.S. PATENT DOCUMENTS

2,285,714 6/1942 Hirsh 24/199
 3,066,374 12/1962 Garson 24/200
 3,313,300 4/1967 Mathison et al. 24/200

FOREIGN PATENT DOCUMENTS

237879 3/1962 Australia 24/200
 560879 7/1923 France 24/198
 384915 12/1932 United Kingdom 24/198

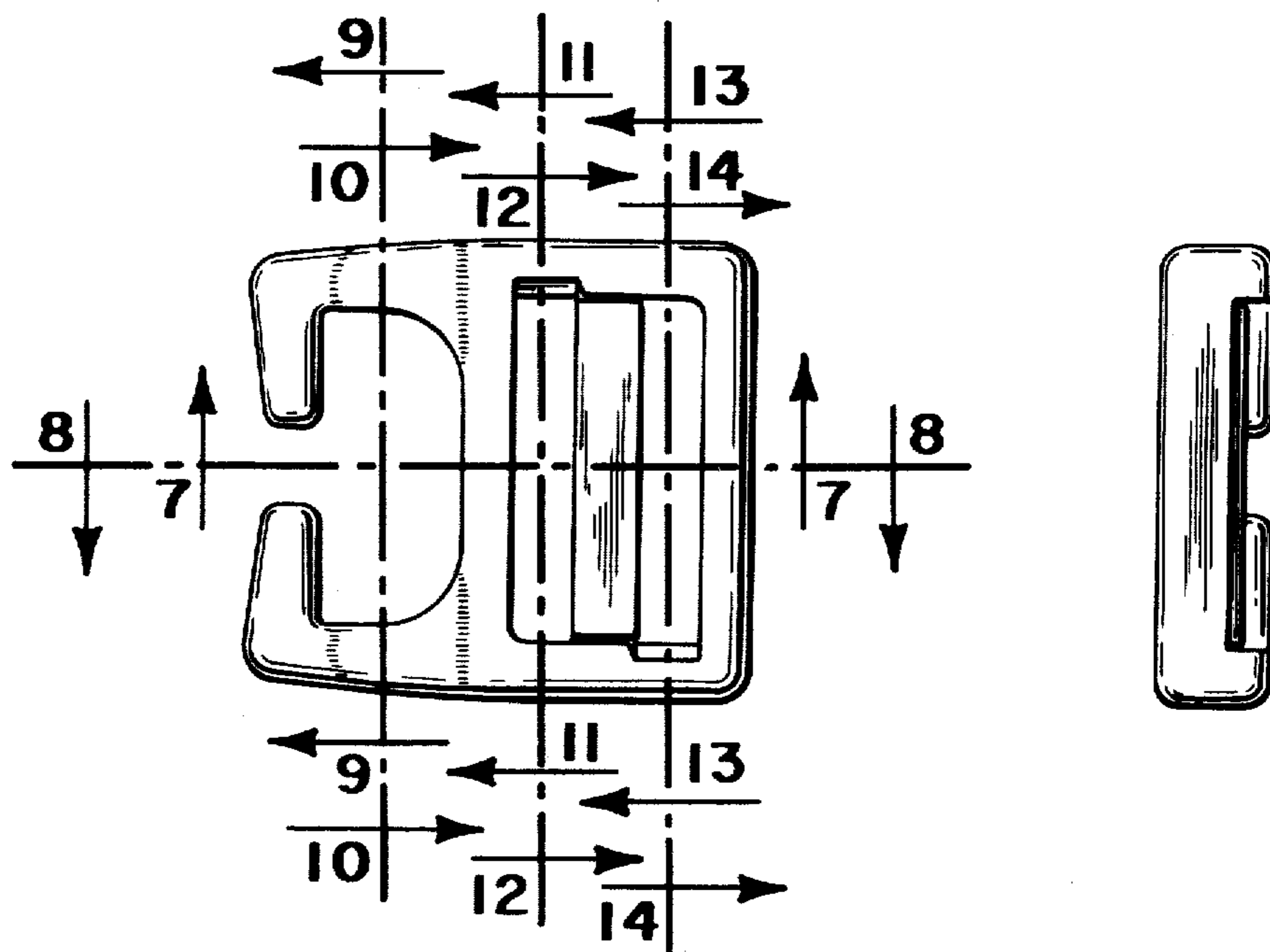
Primary Examiner—Joel Stearman
 Assistant Examiner—Carmen H. Vales
 Attorney, Agent, or Firm—Stevens, Davis, Miller & Mosher

[57] CLAIM

The ornamental design for a buckle for swimming mask and foot fins, as shown and described.

DESCRIPTION

FIG. 1 is a front elevational view of a buckle for swimming mask and foot fins showing my new design.
 FIG. 2 is a right side elevational view thereof.
 FIG. 3 is a left side elevational view thereof.
 FIG. 4 is a rear elevational view thereof.
 FIG. 5 is a top plan view thereof.
 FIG. 6 is a bottom view thereof.
 FIG. 7 is a sectional view along line 7-7 of FIG. 1.
 FIG. 8 is a sectional view along line 8-8 of FIG. 1.
 FIG. 9 is a sectional view along line 9-9 of FIG. 1.
 FIG. 10 is a sectional view along line 10-10 of FIG. 1.
 FIG. 11 is a sectional view along line 11-11 of FIG. 1.
 FIG. 12 is a sectional view along line 12-12 of FIG. 1.
 FIG. 14 is a sectional view along line 14-14 of FIG. 1.
 FIG. 15 is a sectional view along line 15-15 of FIG. 6.



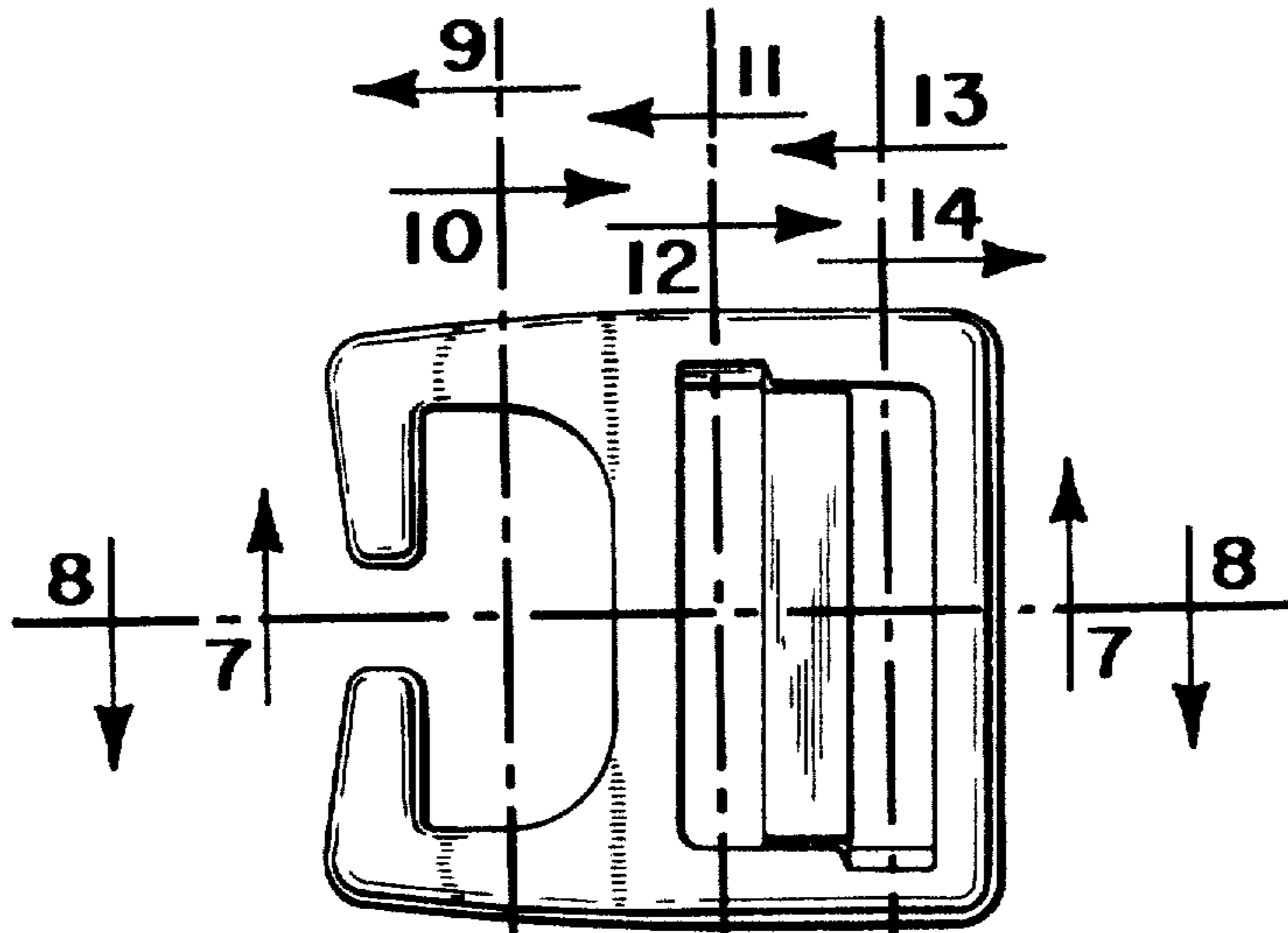


FIG. 1



FIG. 2

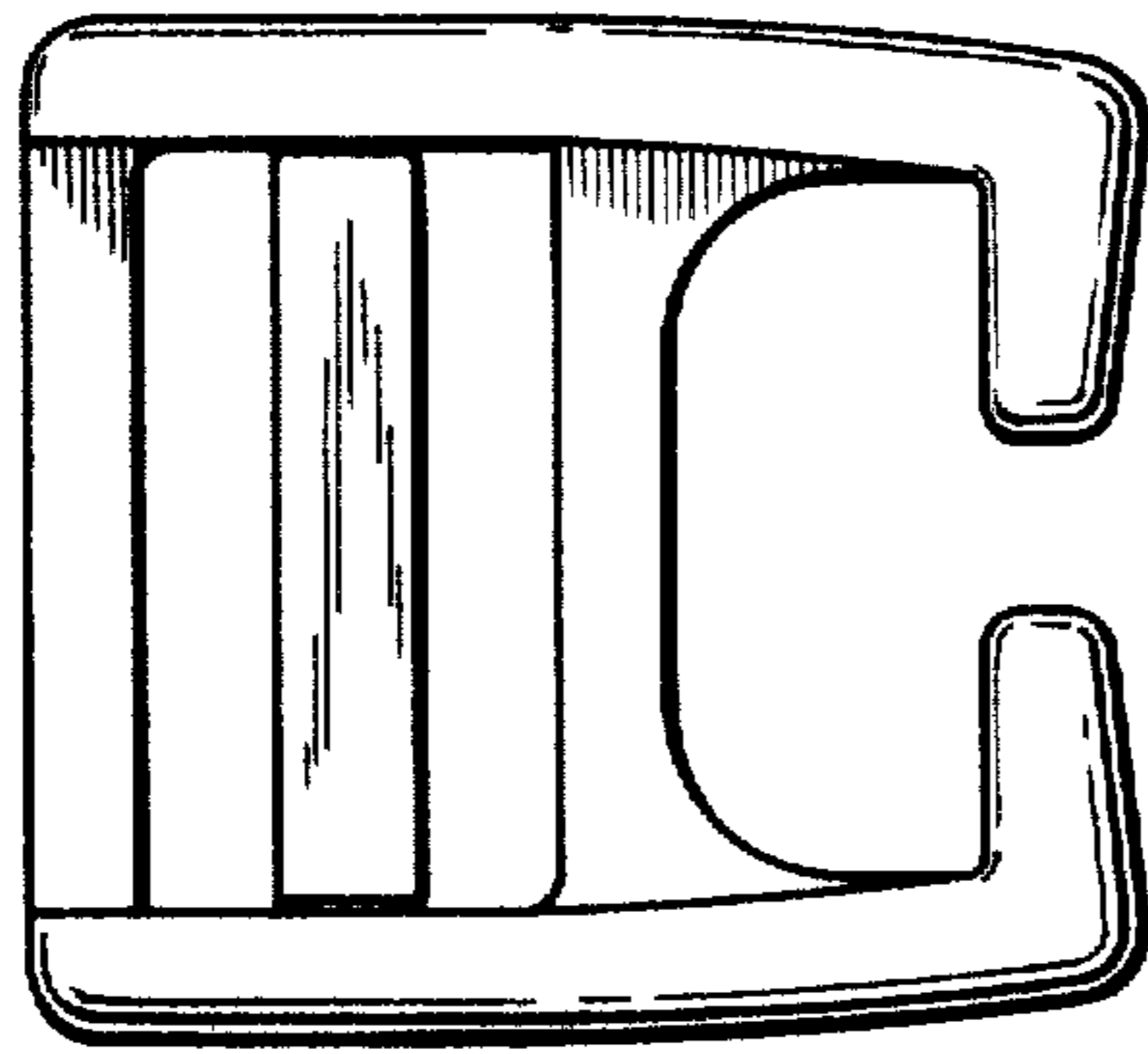


FIG. 4

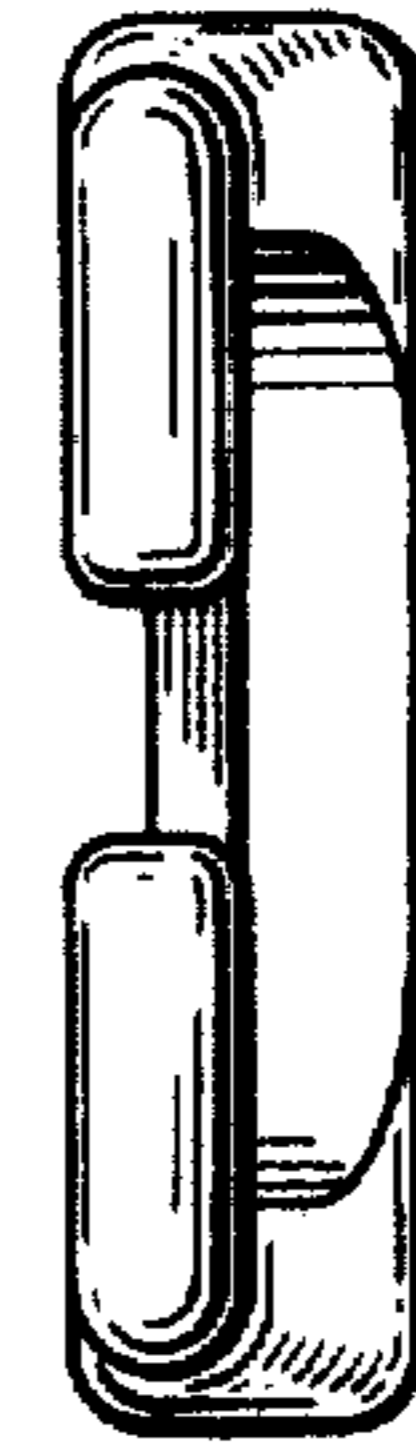


FIG. 3

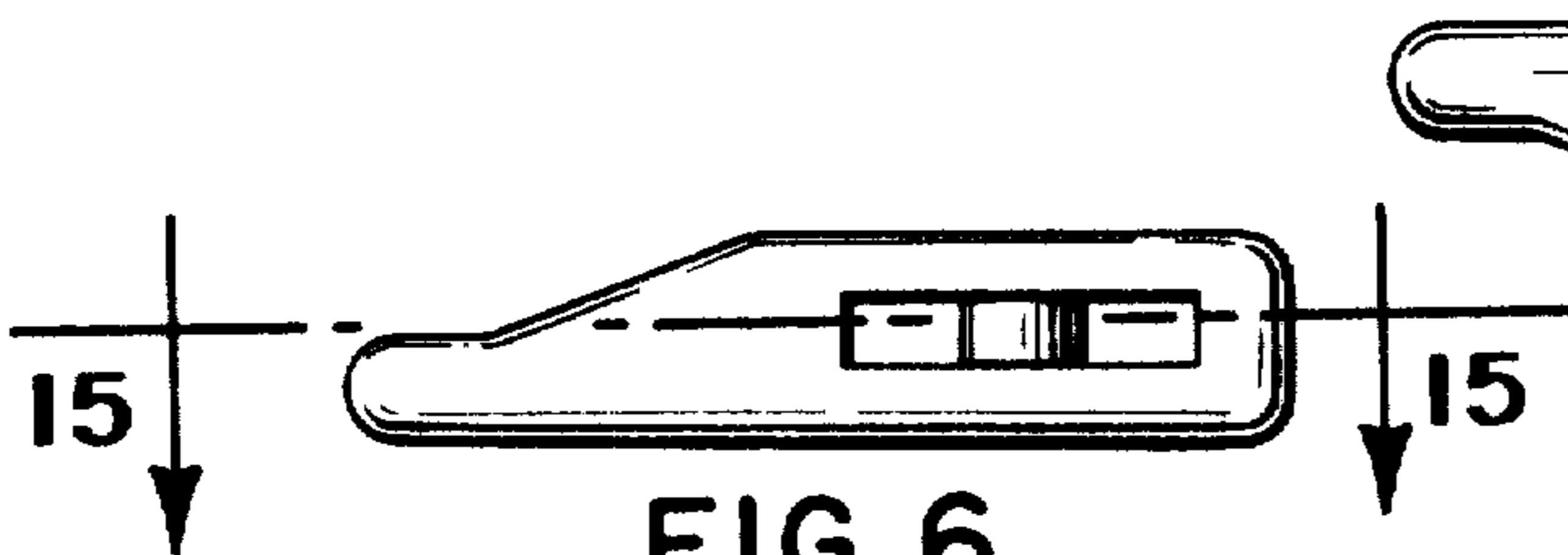


FIG. 6



FIG. 5



FIG. 7

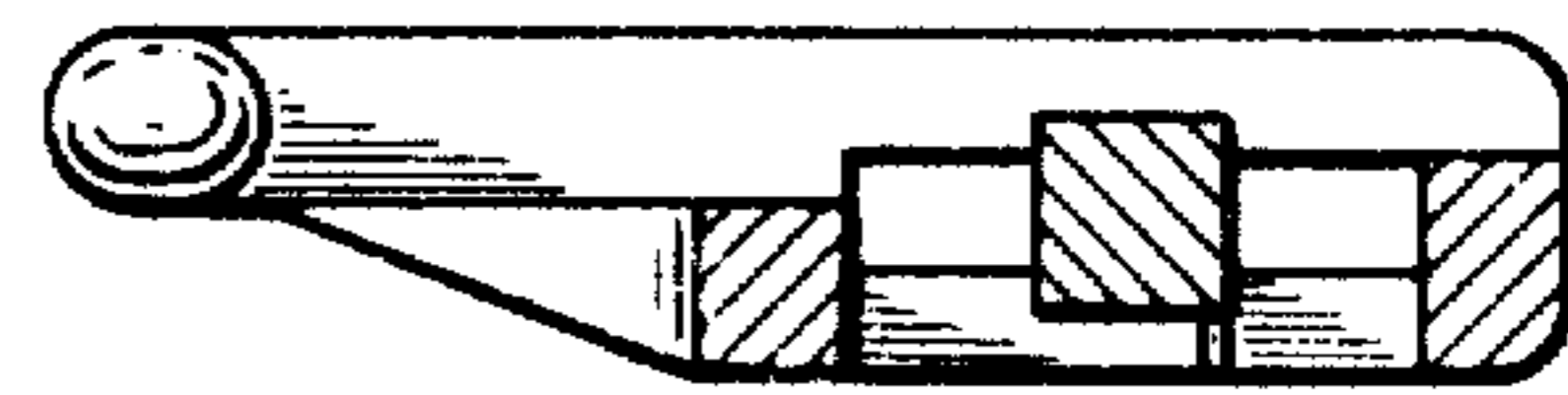


FIG. 8

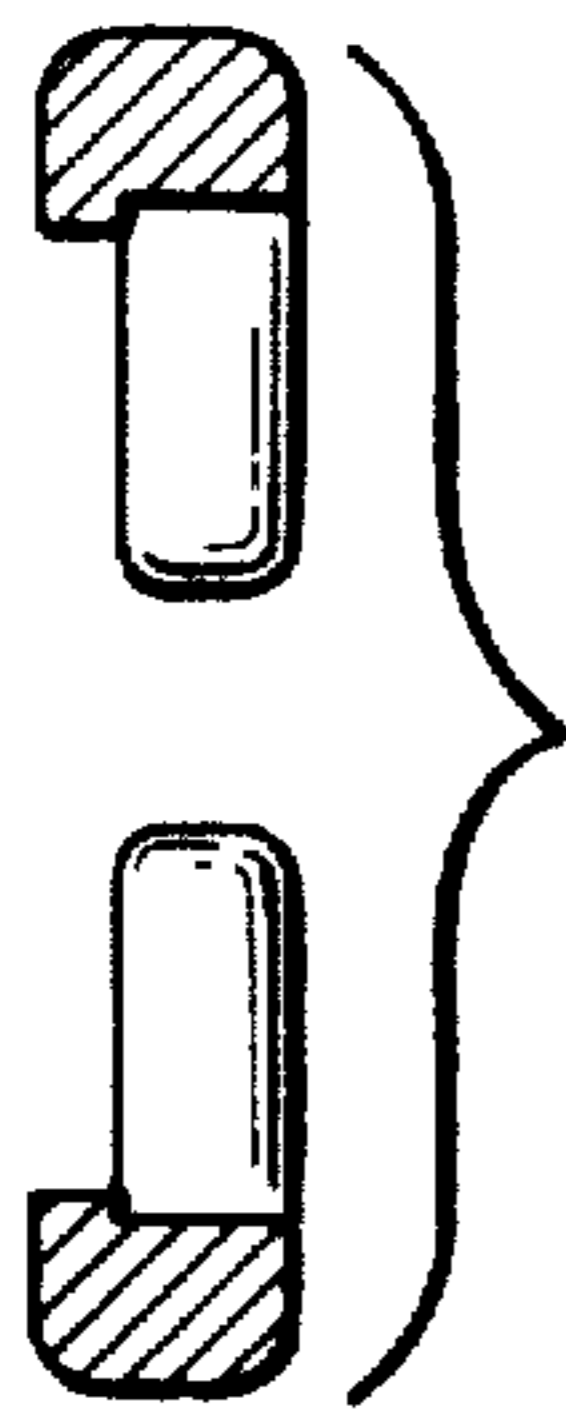


FIG. 9

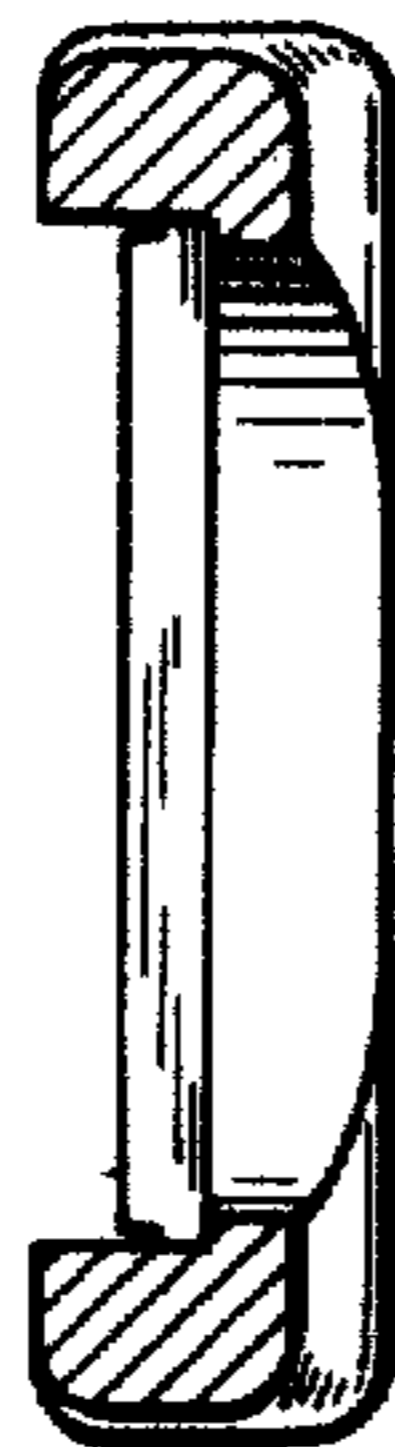


FIG. 10



FIG. 11



FIG. 12

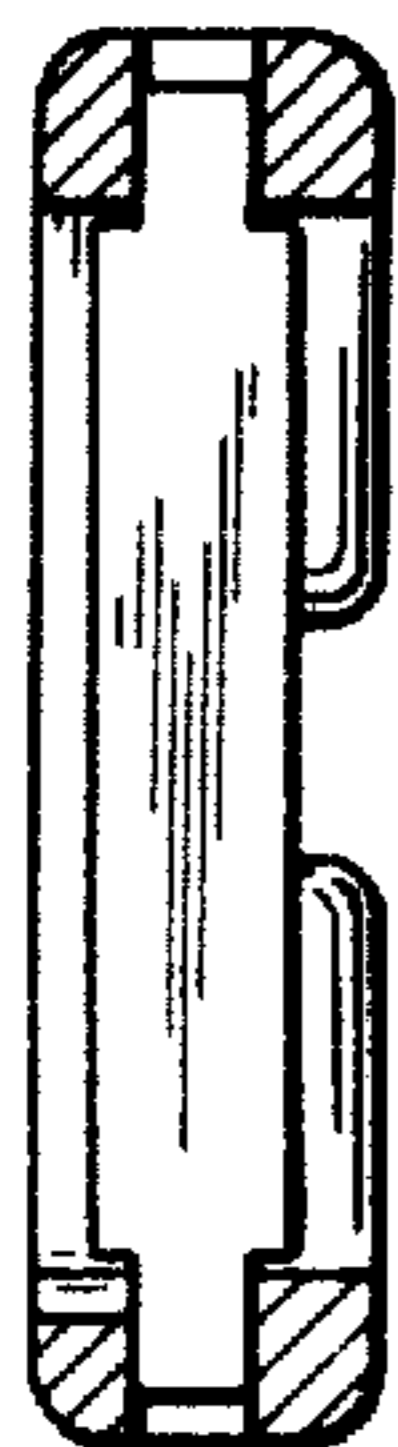


FIG. 13



FIG. 14

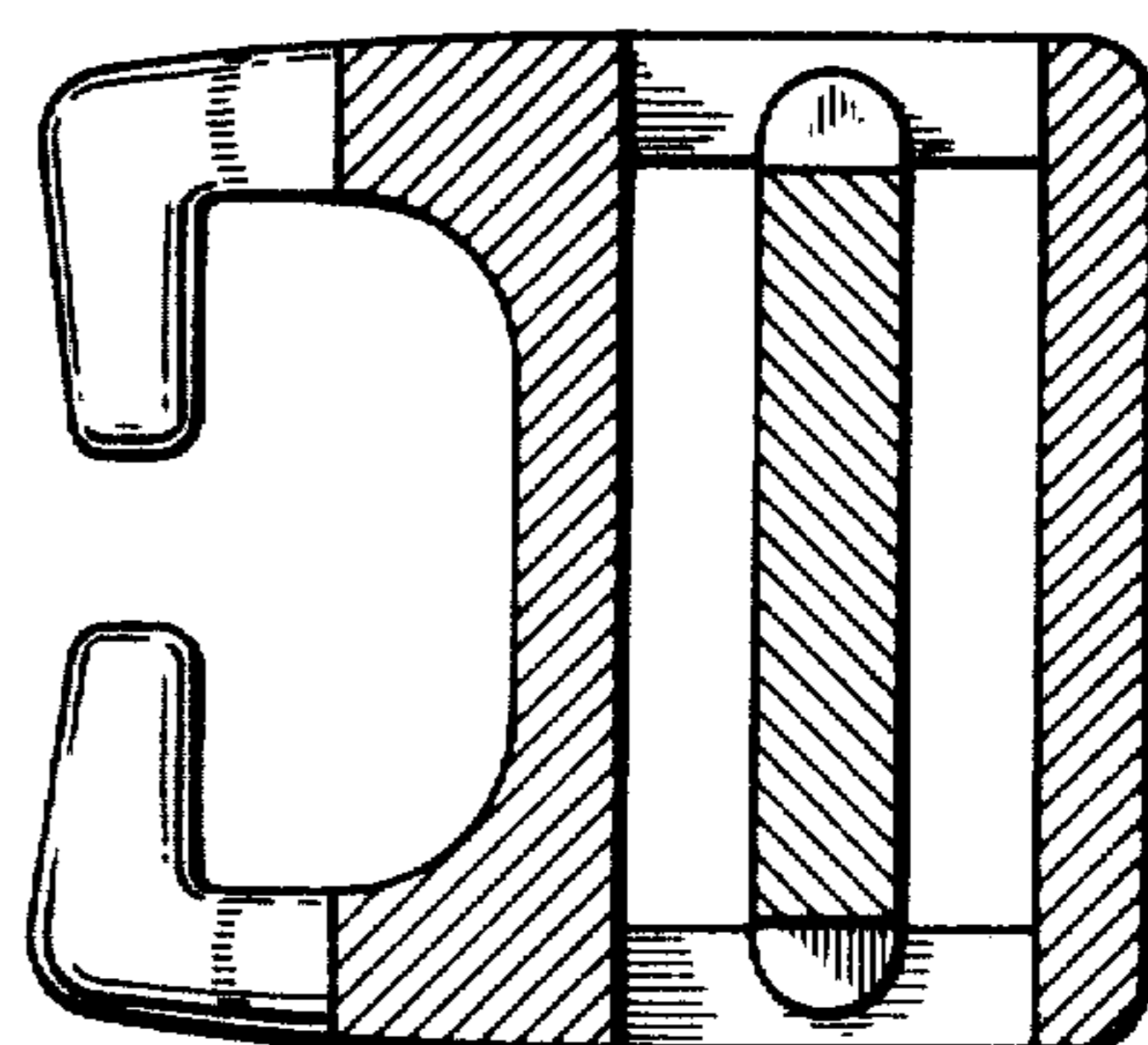


FIG. 15