

[54] FIXTURE CLEANER

[76] Inventor: Kevin J. Wilson, 5140 Marita La., #D, Anaheim, Calif. 92807

[**] Term: 14 Years

[21] Appl. No.: 246,996

[22] Filed: Mar. 24, 1981

[51] Int. Cl. D7-05

[52] U.S. Cl. D32/51

[58] Field of Search 15/104 R, 104.02, 104.05, 15/208, 209 R, 210 R; D32/35, 40-42, 51, 52

[56] References Cited

U.S. PATENT DOCUMENTS

D. 247,154	2/1978	Curtis	D32/35
1,732,314	10/1929	Oberwegner	D32/35 X
1,866,862	7/1932	Prestwich et al.	15/210 R
2,763,081	9/1956	Huckabee	15/104.05 X
2,816,312	12/1957	Beck et al.	15/210 R
4,283,809	8/1981	Prost	15/209 R X

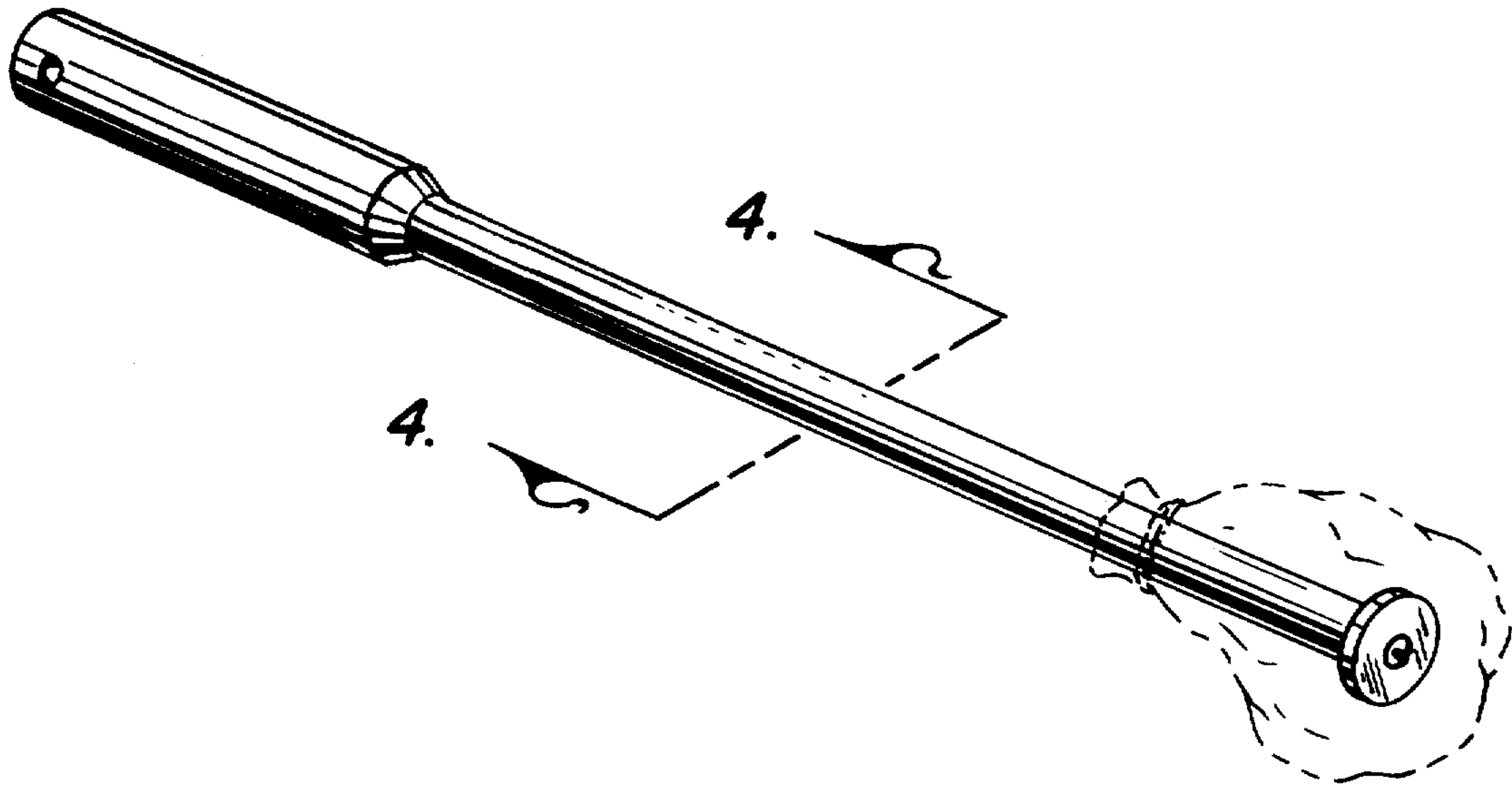
Primary Examiner—Catherine E. Kemper
Attorney, Agent, or Firm—G. Donald Weber, Jr.

[57] CLAIM

The ornamental design for a fixture cleaner, as shown and described.

DESCRIPTION

FIG. 1 is a perspective view of a fixture cleaner, showing my new design;
 FIG. 2 is an end elevational view thereof;
 FIG. 3 is an elevational view of the opposite end thereof;
 FIG. 4 is a sectional view taken along line 4—4 of FIG. 1;
 FIG. 5 is a side elevational view thereof;
 FIG. 6 is a fragmentary elevational view showing the end of a second embodiment of a fixture cleaner wherein the only difference resides in the configuration of the end portion.
 The broken line disclosure of a cleaning attachment in FIG. 1 is for illustrative purposes only and forms no part of the claimed design.



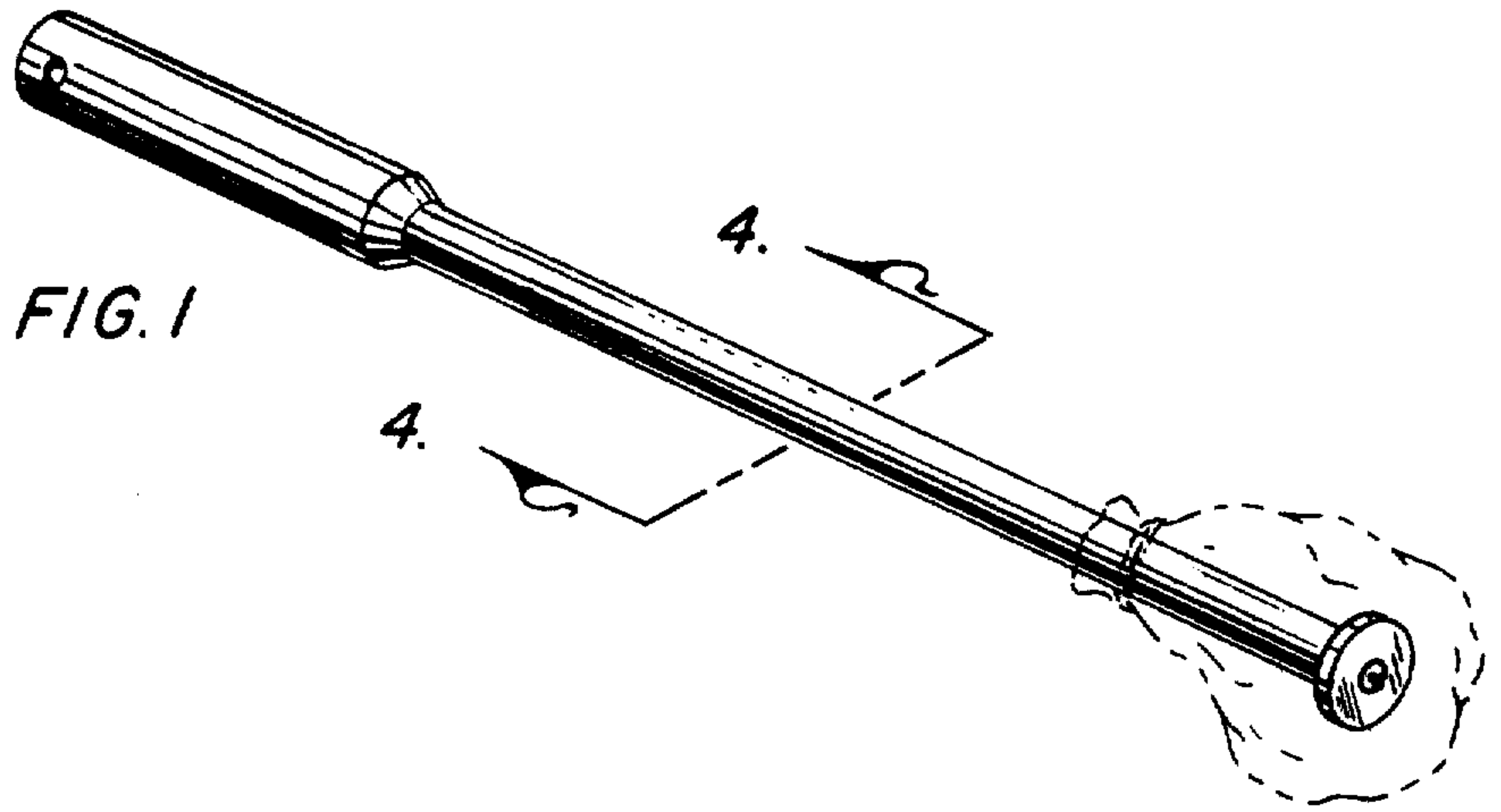


FIG. 5



FIG. 6

