

[54] FRUIT BOX

[76] Inventor: Jose Segura Palenzuela, Miramar, 18 - 35a, Gandia (Valencia), Spain

[\*\*] Term: 14 Years

[21] Appl. No.: 240,064

[22] Filed: Mar. 3, 1981

[30] Foreign Application Priority Data

Dec. 29, 1980 [ES] Spain ..... 98-485

[51] Int. Cl. .... D9-04

[52] U.S. Cl. .... D34/40

[58] Field of Search ..... 217/40, 69; 229/6 R, 229/16 R, 30, 49, 31 R; D34/40-45

[56] References Cited

U.S. PATENT DOCUMENTS

3,008,624 11/1961 Royce ..... 217/40

3,220,633 11/1965 Swane ..... 217/69  
3,709,425 1/1973 Stapp ..... 229/49 X  
3,958,712 5/1976 Martin ..... 217/40  
4,119,265 10/1978 Dlugopolski ..... 229/31 R

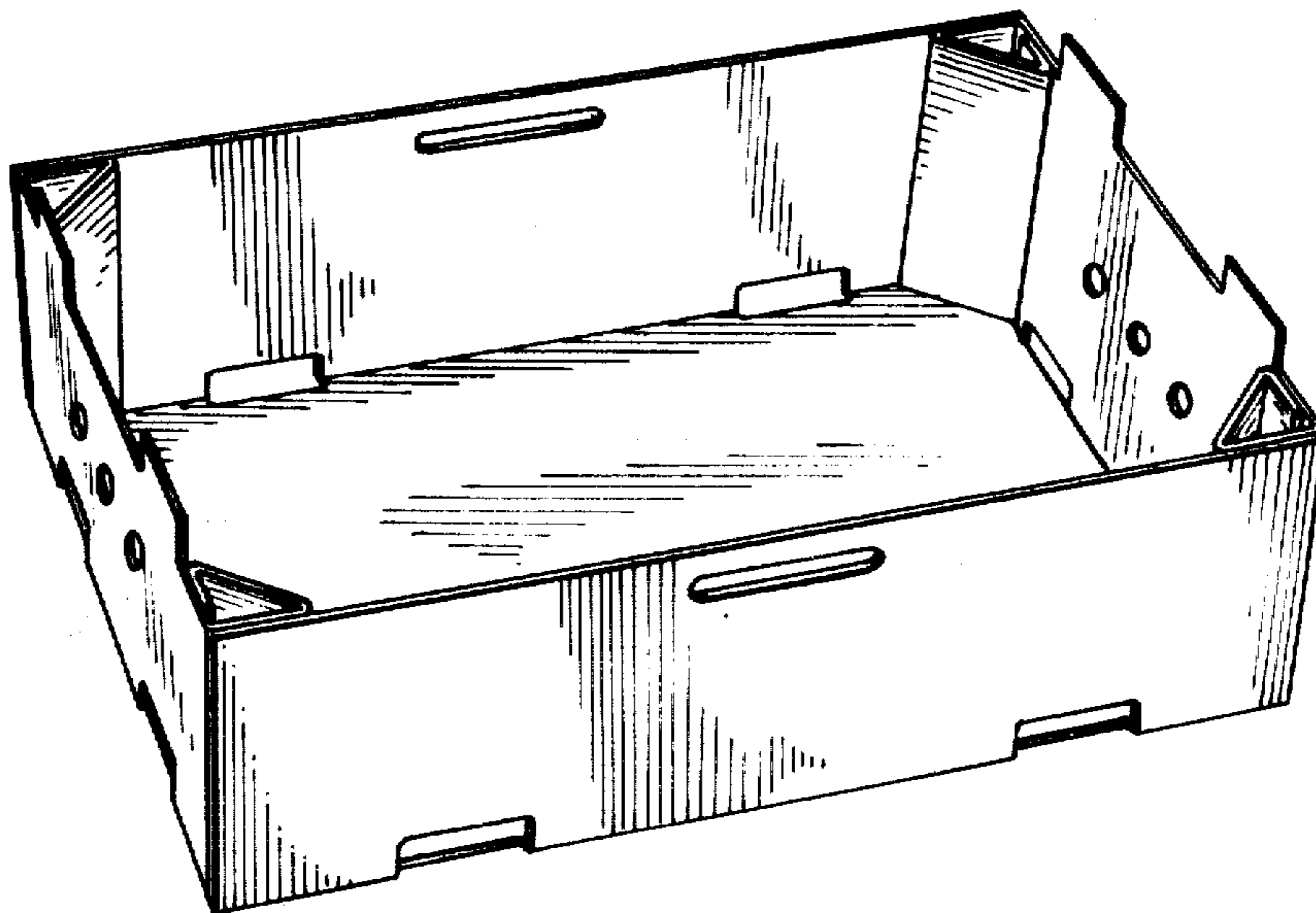
Primary Examiner—Robert C. Spangler  
Attorney, Agent, or Firm—Wenderoth, Lind & Ponack

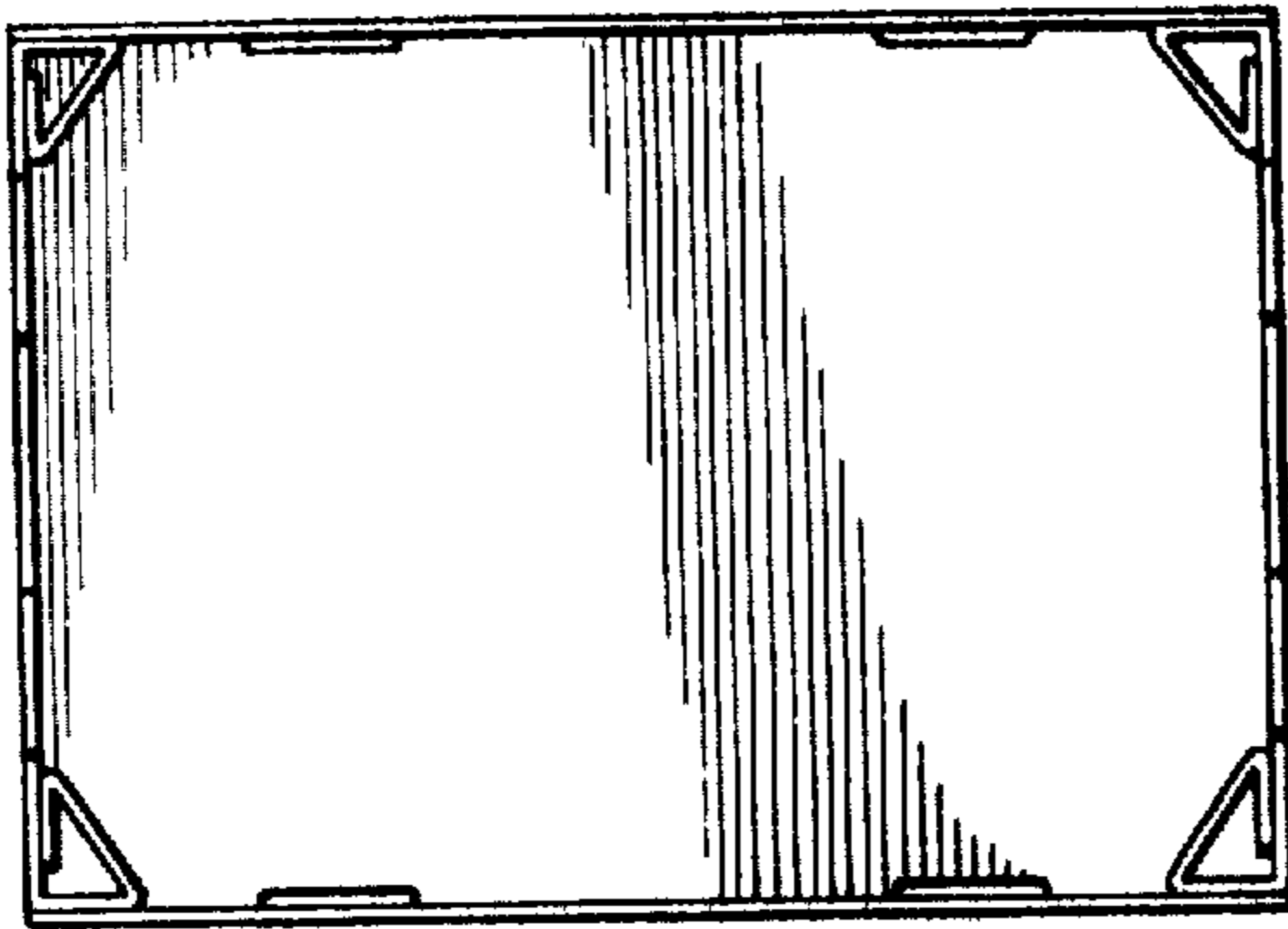
[57] CLAIM

The ornamental design for a fruit box, substantially as shown and described.

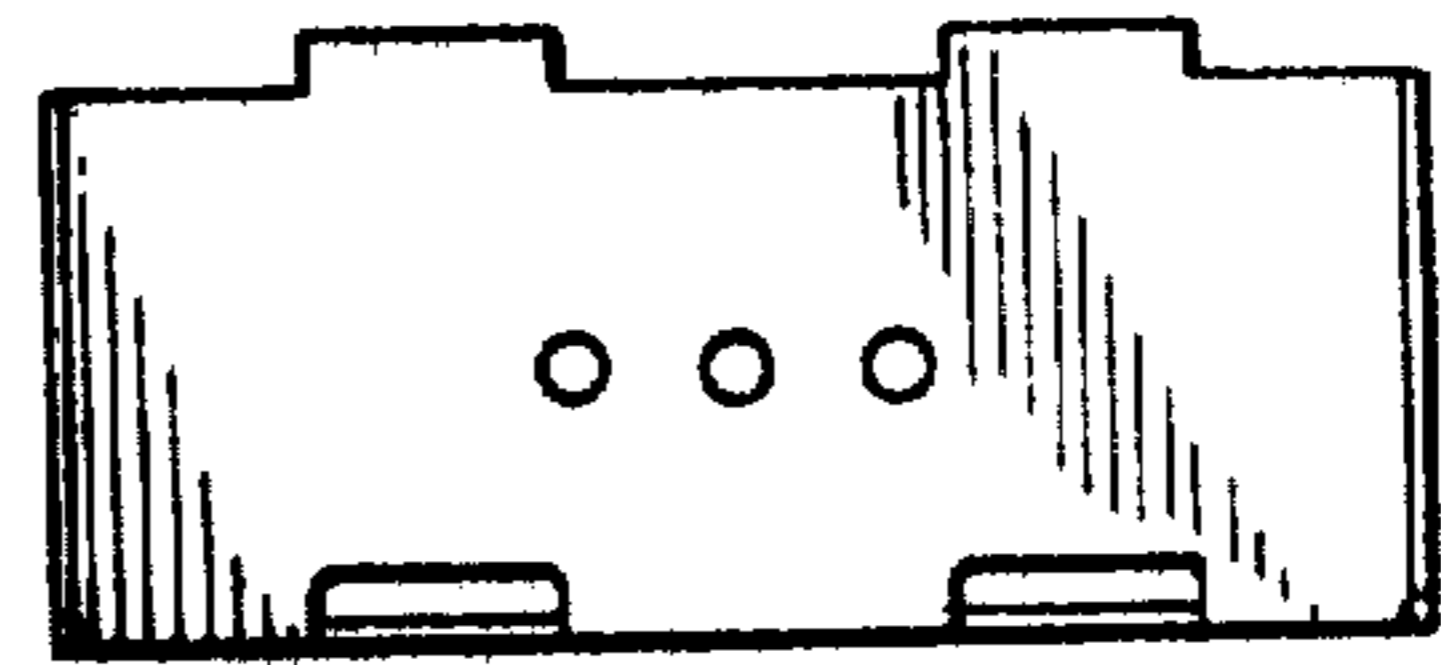
DESCRIPTION

FIG. 1 is a plan view of a fruit box showing my new design;  
FIG. 2 is an end view as viewed from the left side of FIG. 1, the opposite side being of identical configuration;  
FIG. 3 is a view from the front thereof, the configuration from the rear being identical;  
FIG. 4 is a bottom view thereof; and  
FIG. 5 is a perspective view thereof.

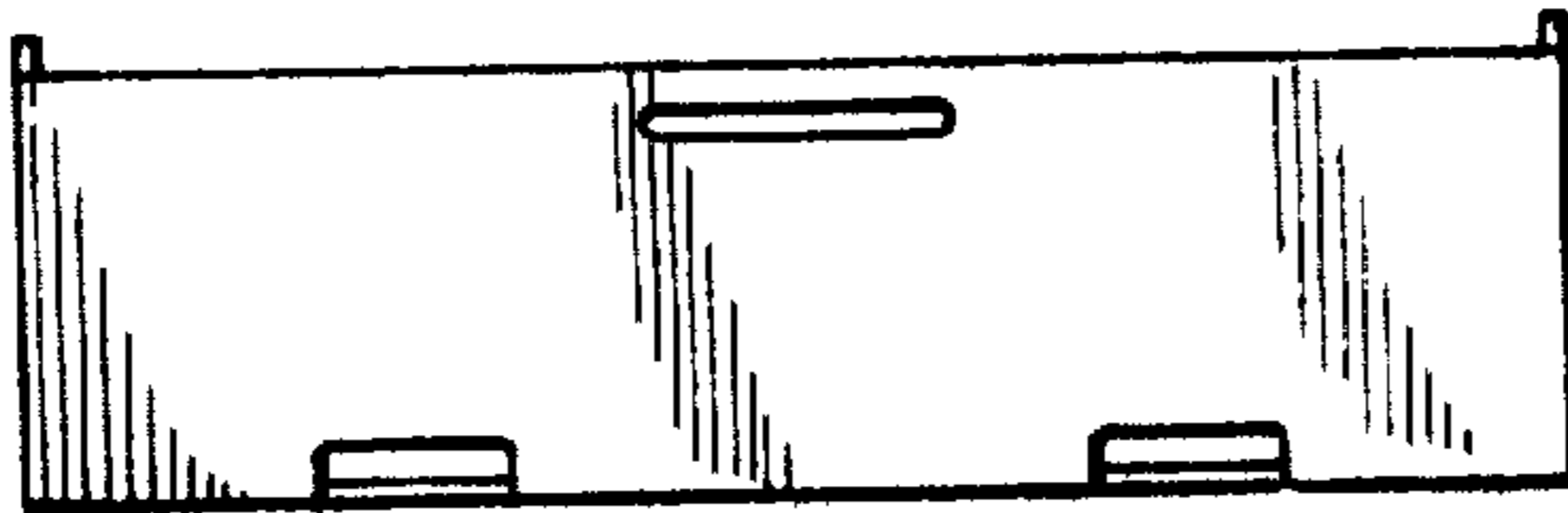




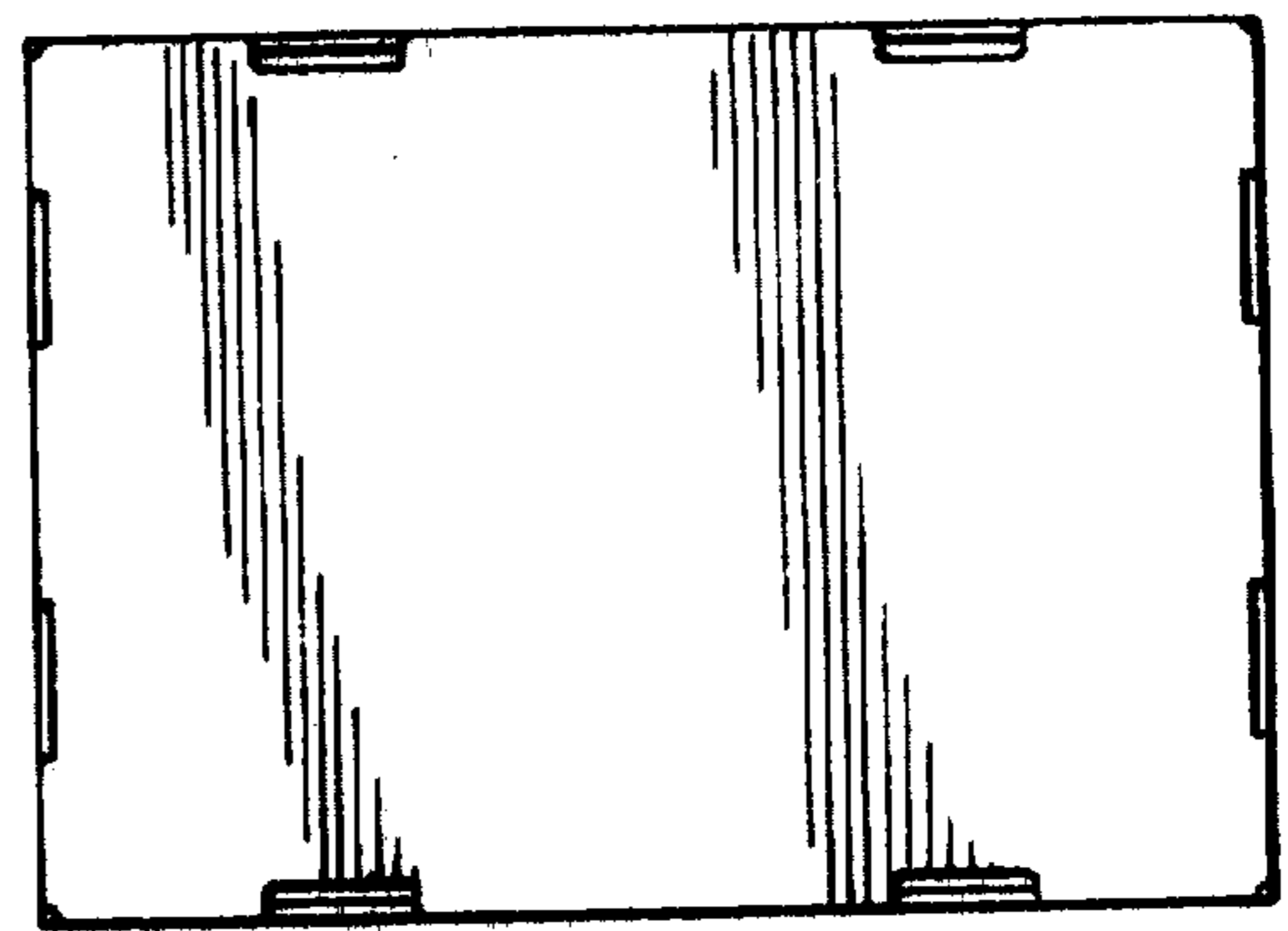
*FIG. 1*



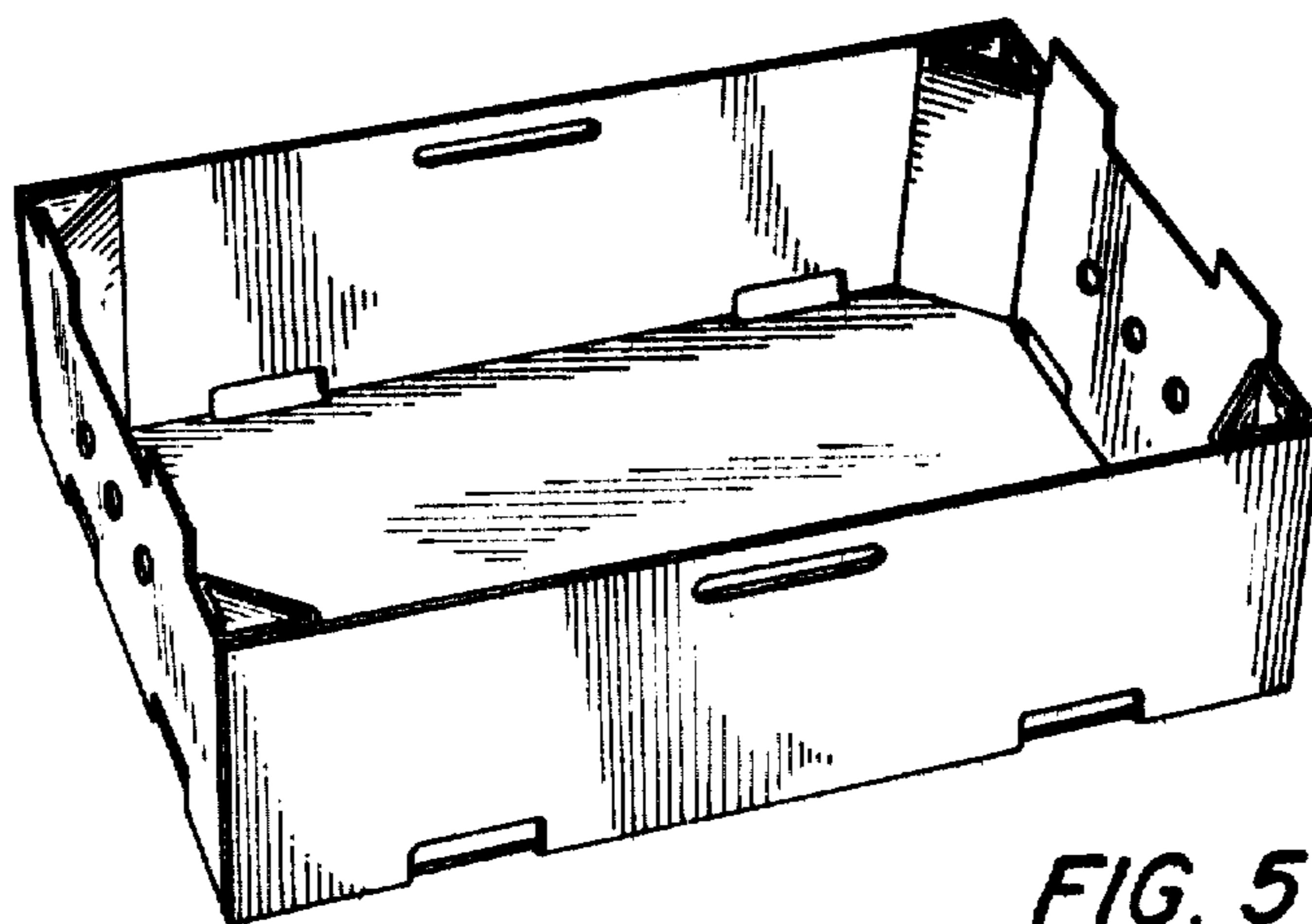
*FIG. 2*



*FIG. 3*



*FIG. 4*



*FIG. 5*