

[54] MATERIAL HANDLING TRANSPORT TRAY OR THE LIKE

D. 268,622 4/1983 Wolters et al. D34/40
2,994,457 8/1961 Fornas D7/76

[76] Inventor: Wayne K. Pfaff, 1316 Savannah, Irving, Tex. 75062

Primary Examiner—Robert C. Spangler
Attorney, Agent, or Firm—Kanz & Timmons

[**] Term: 14 Years

[57] CLAIM

[21] Appl. No.: 289,044

The ornamental design for a material handling transport tray or the like, substantially as shown and described.

[22] Filed: Jul. 31, 1981

DESCRIPTION

[51] Int. Cl. D9—03

FIG. 1 is a perspective view of a material handling transport tray or the like showing my new design;

[52] U.S. Cl. D34/40; D9/425; D9/432

FIG. 2 is a top plan view thereof;

[58] Field of Search D9/424, 425, 432, 456; D34/40; D7/76, 77, 37; 229/30

FIG. 3 is a bottom plan view thereof;

FIG. 4 is a side elevational view;

FIG. 5 is an end elevational;

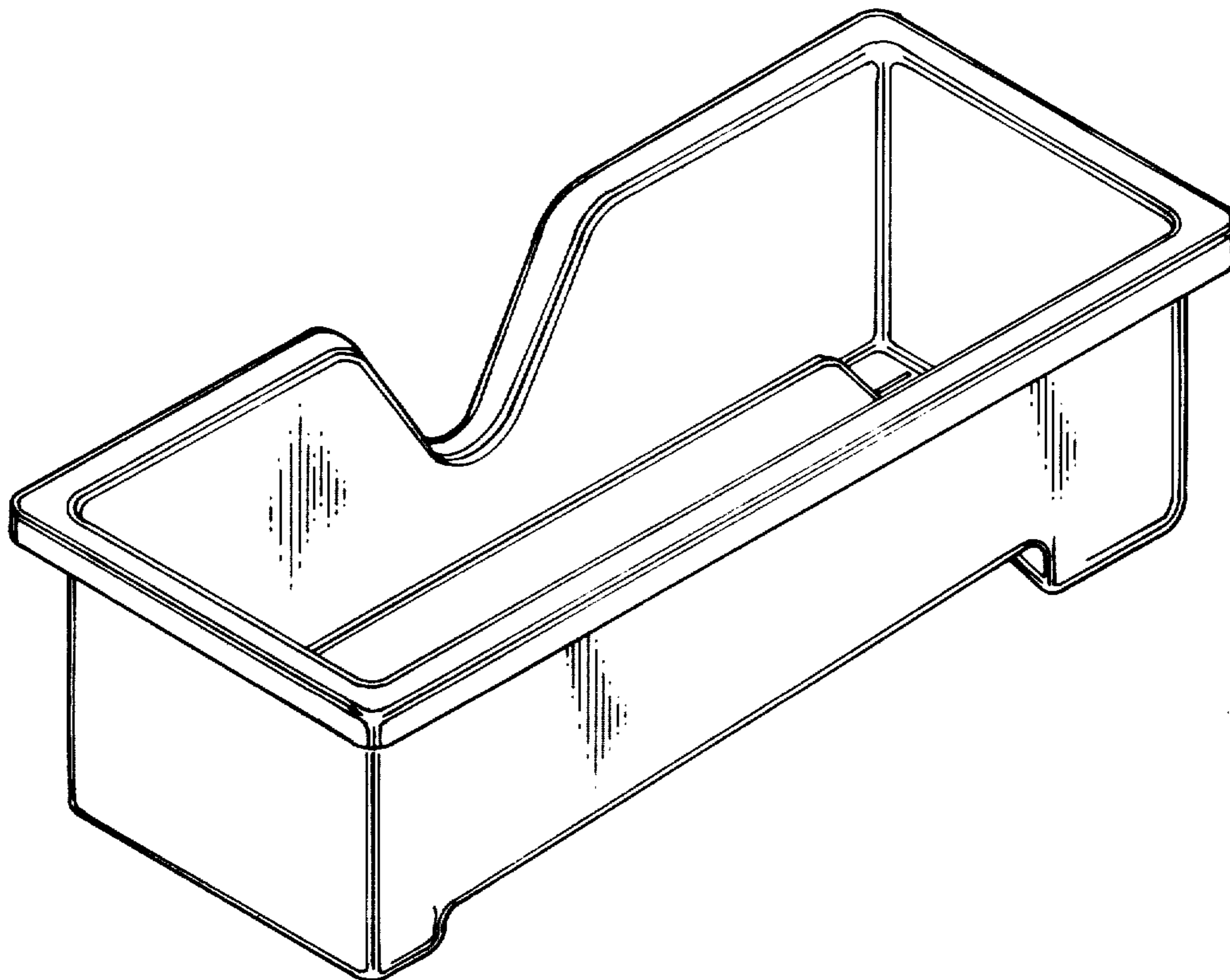
[56] References Cited

U.S. PATENT DOCUMENTS

FIG. 6 is an end elevational view showing the end opposite that seen in FIG. 5; and

FIG. 7 is a side elevational view showing the side opposite that seen in FIG. 4.

D. 237,020 9/1975 Valentine D34/40



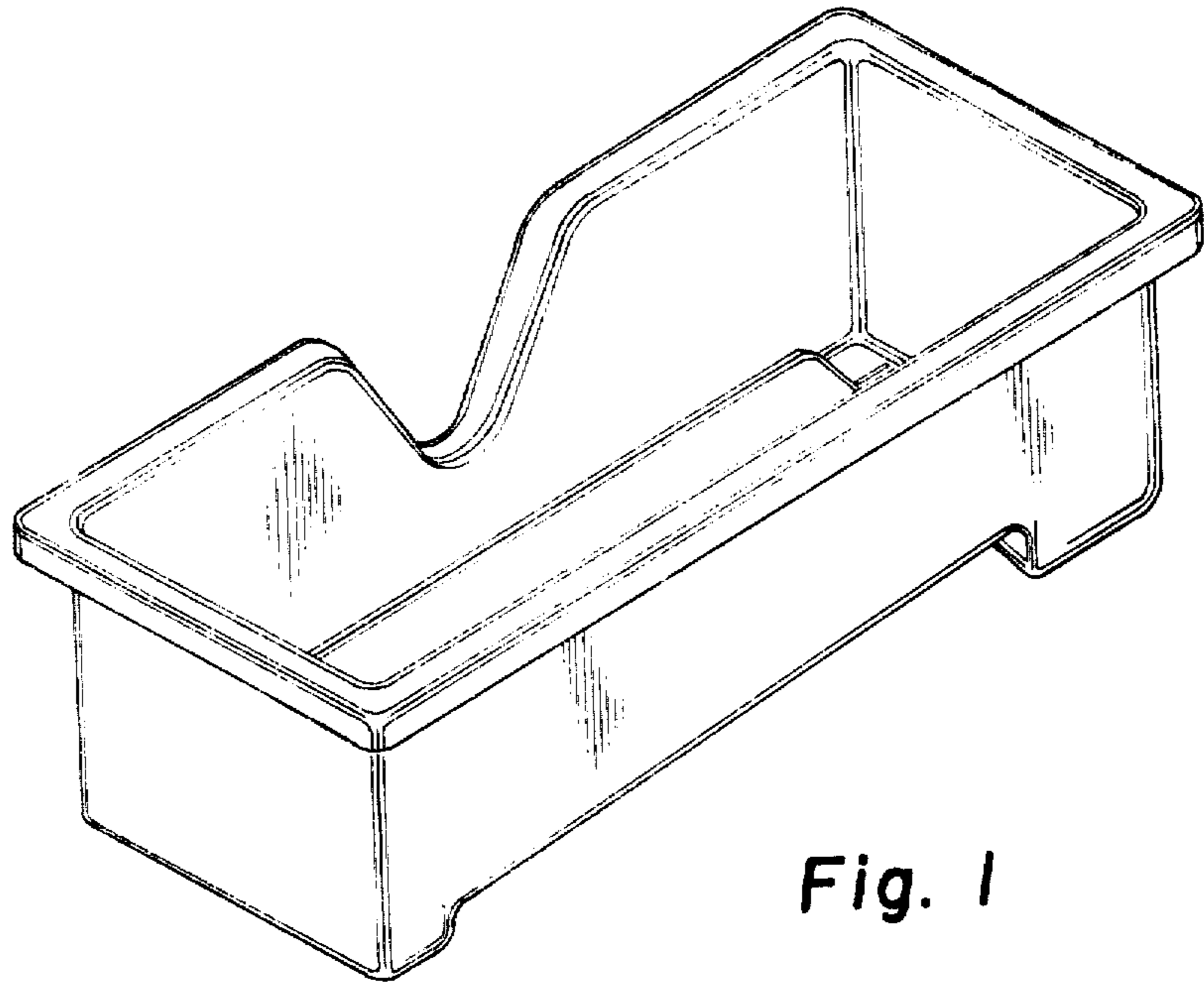


Fig. 1

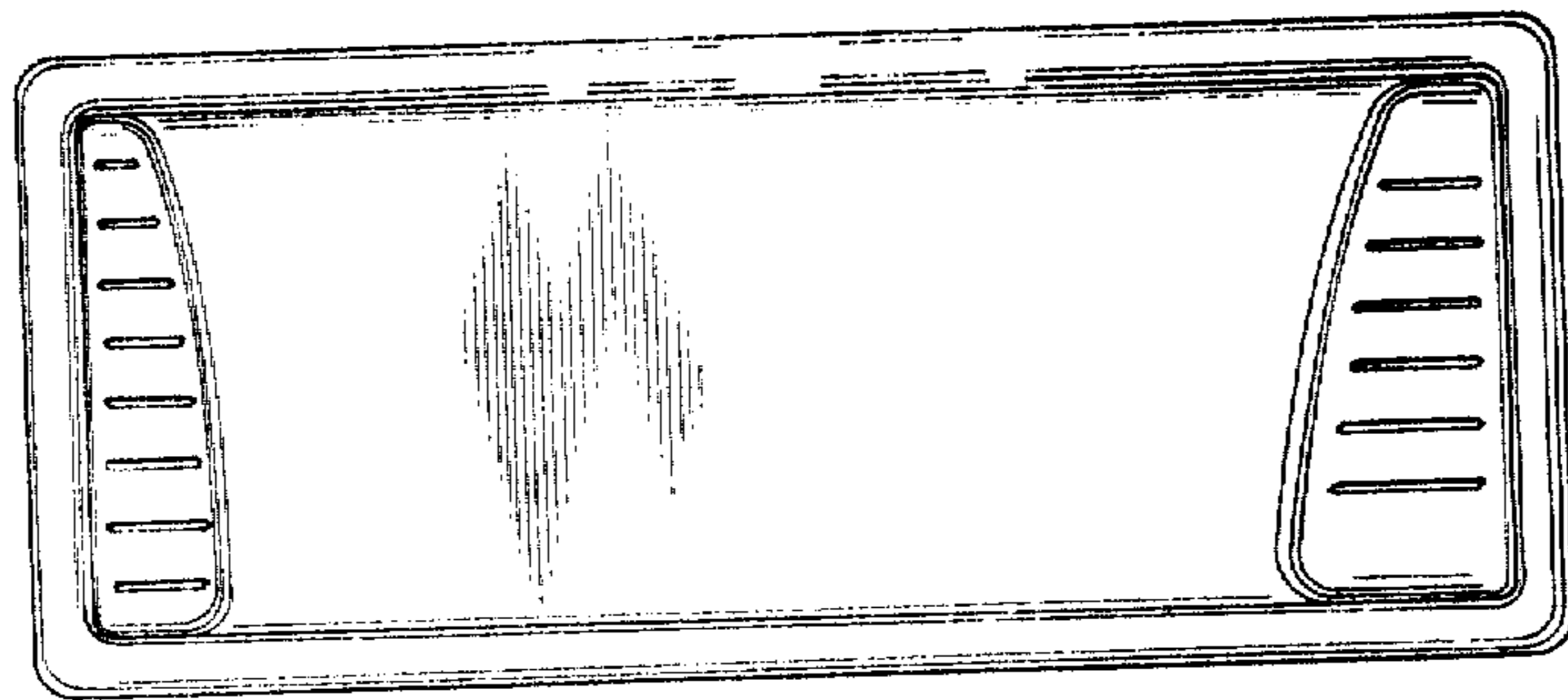


Fig. 2

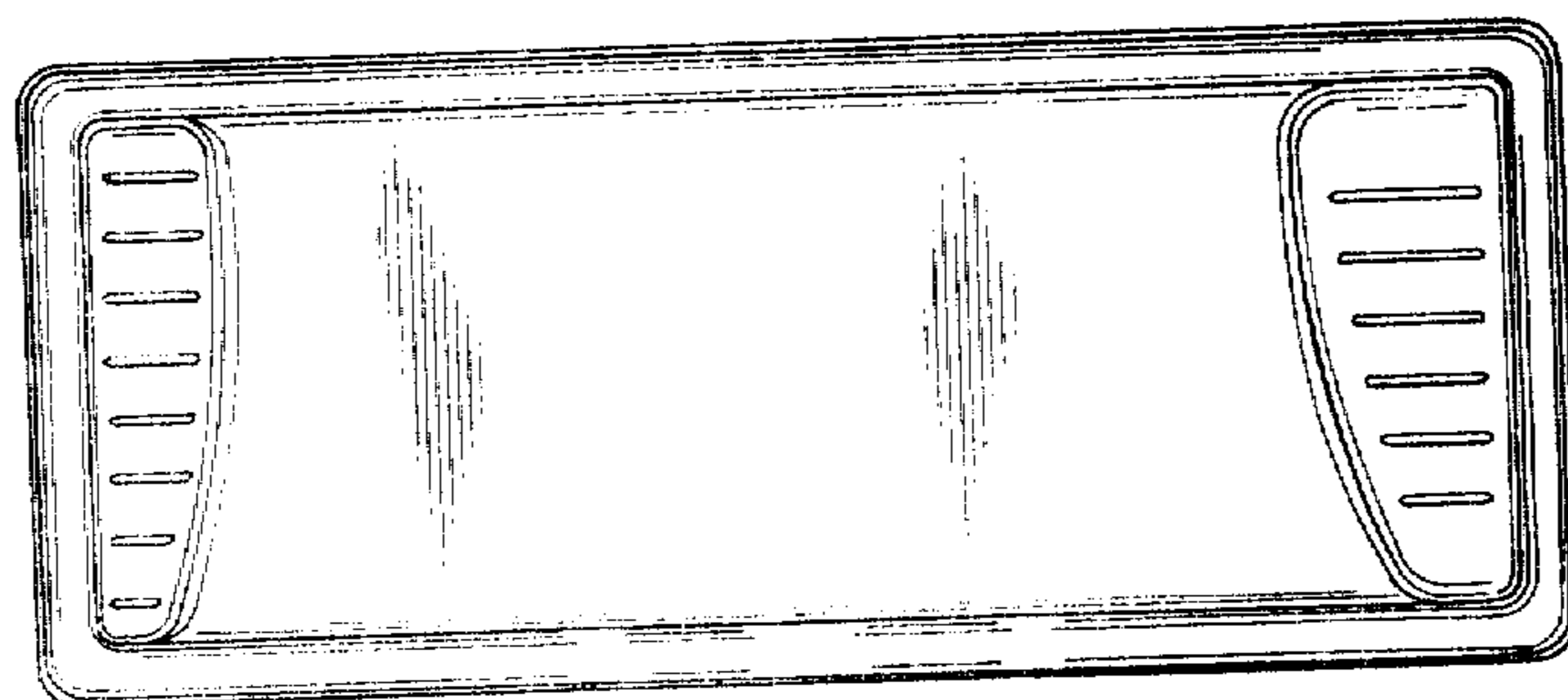


Fig. 3

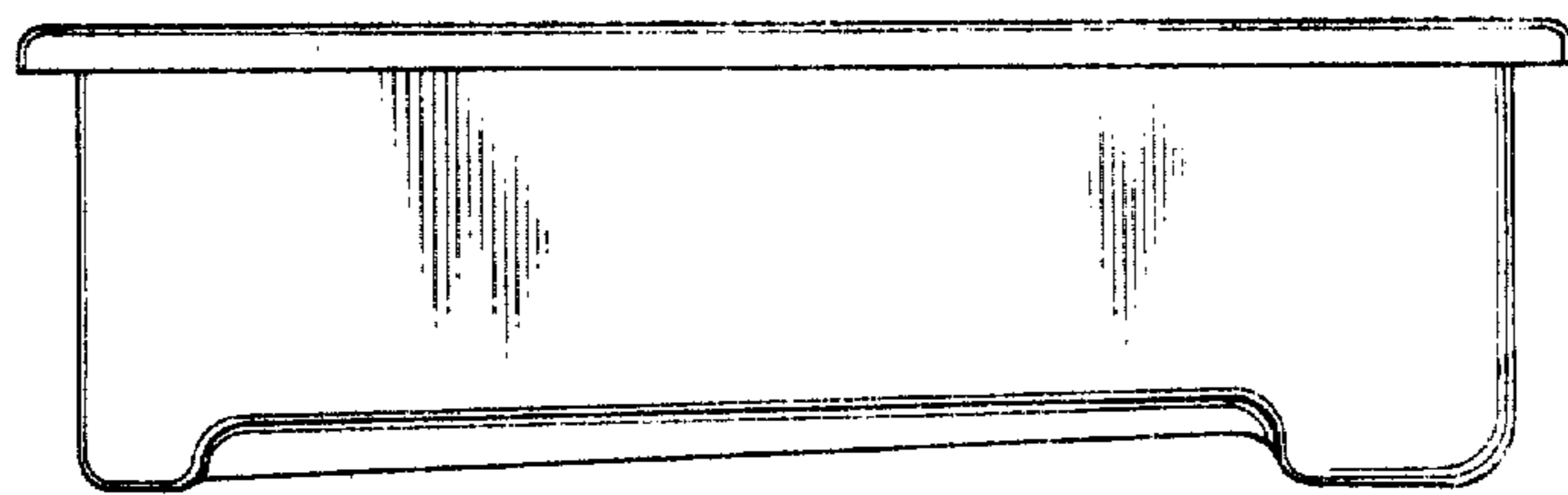


Fig. 4

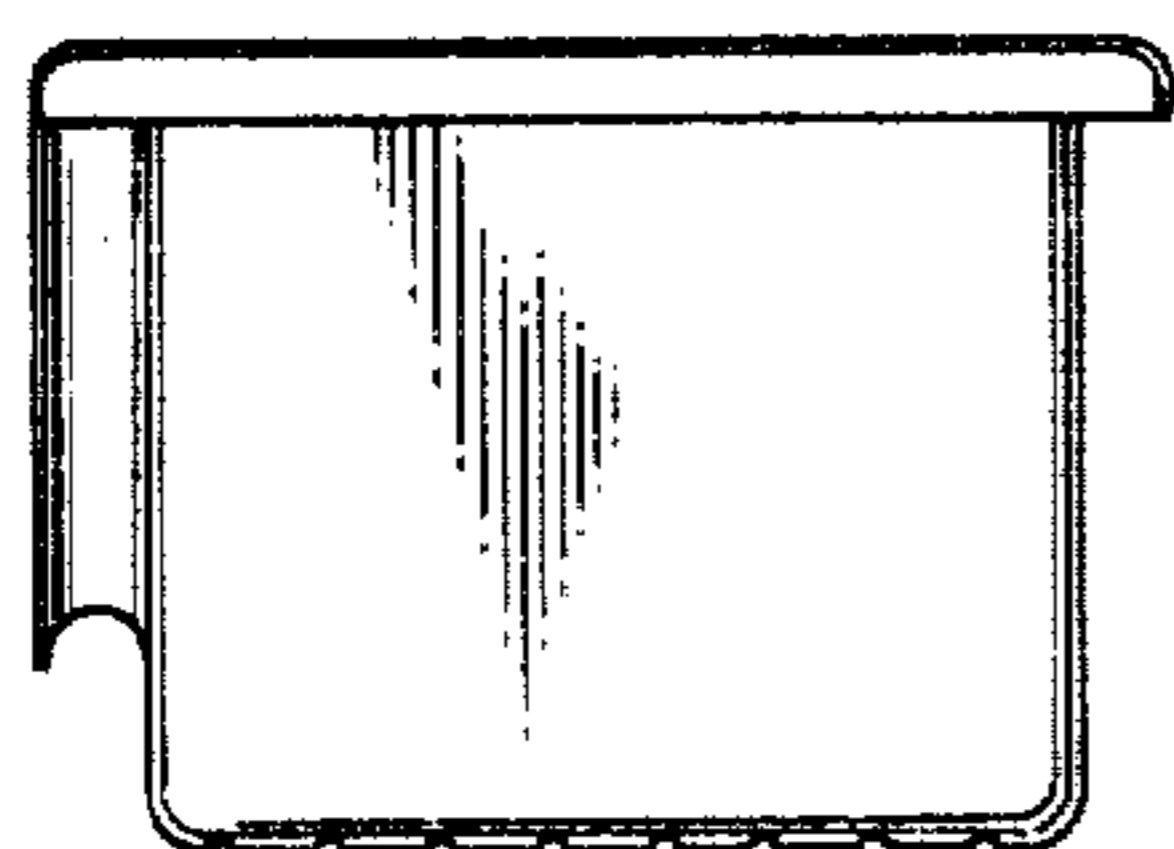


Fig. 5

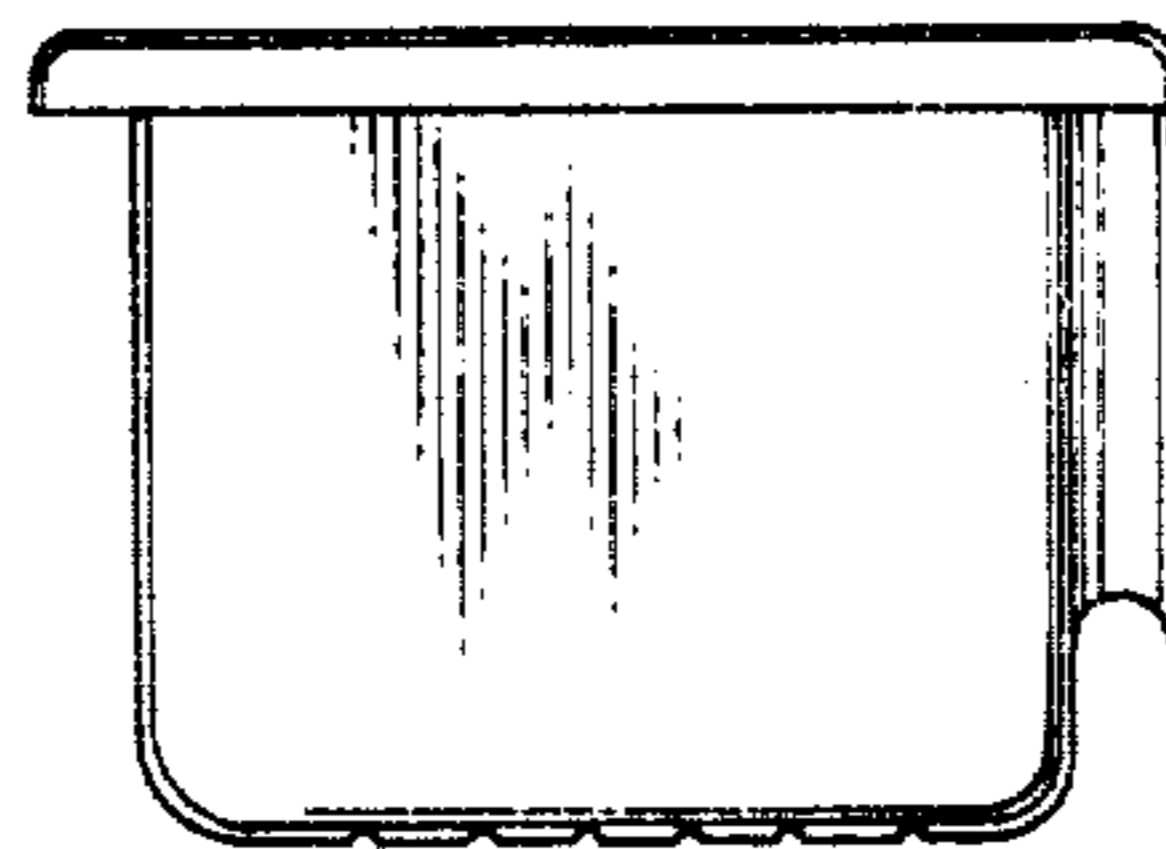


Fig. 6

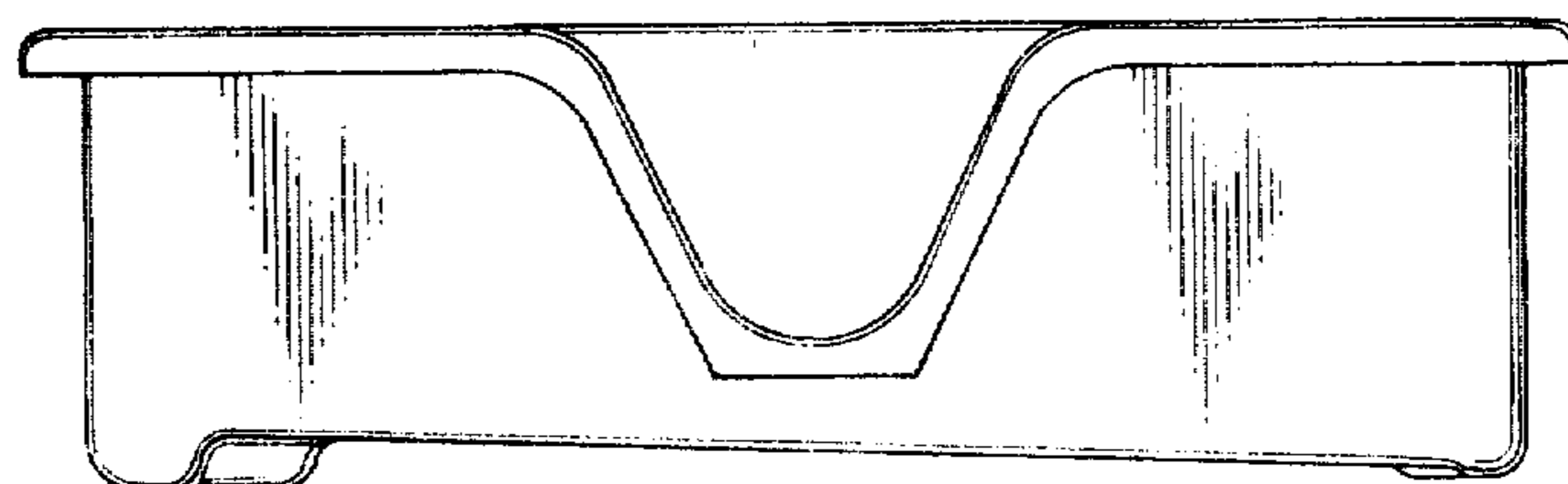


Fig. 7