

[54] BARBECUE CART

[75] Inventor: Joseph W. Sroub, Parma, Ohio

[73] Assignee: Cardinal American Corporation, Cleveland, Ohio

[**] Term: 14 Years

[21] Appl. No.: 295,223

[22] Filed: Aug. 21, 1981

[51] Int. Cl. D12-02

[52] U.S. Cl. D34/21

[58] Field of Search D34/17, 21; 280/34, 280/35, 47.1, 651

[56] References Cited

U.S. PATENT DOCUMENTS

3,291,501 12/1966 Stelniceanu 280/651

OTHER PUBLICATIONS

Home Furnishings, Mar. 10, 1958, p. 40, Chesley Industries Inc. "Gour-Maid".

House & Gardens, Jan. 1980, p. 149, J & D Brauner, Solid Oak Serving Cart.

Housewares, Jun. 21-27, 1979, p. 12, LeGourmand-gourmet serving cart.

Primary Examiner—Wallace R. Burke

Assistant Examiner—Lynn Wilder

Attorney, Agent, or Firm—Pearne, Gordon, Sessions, McCoy, Granger & Tilberry

[57] CLAIM

The ornamental design for a barbecue cart, substantially as shown and described.

DESCRIPTION

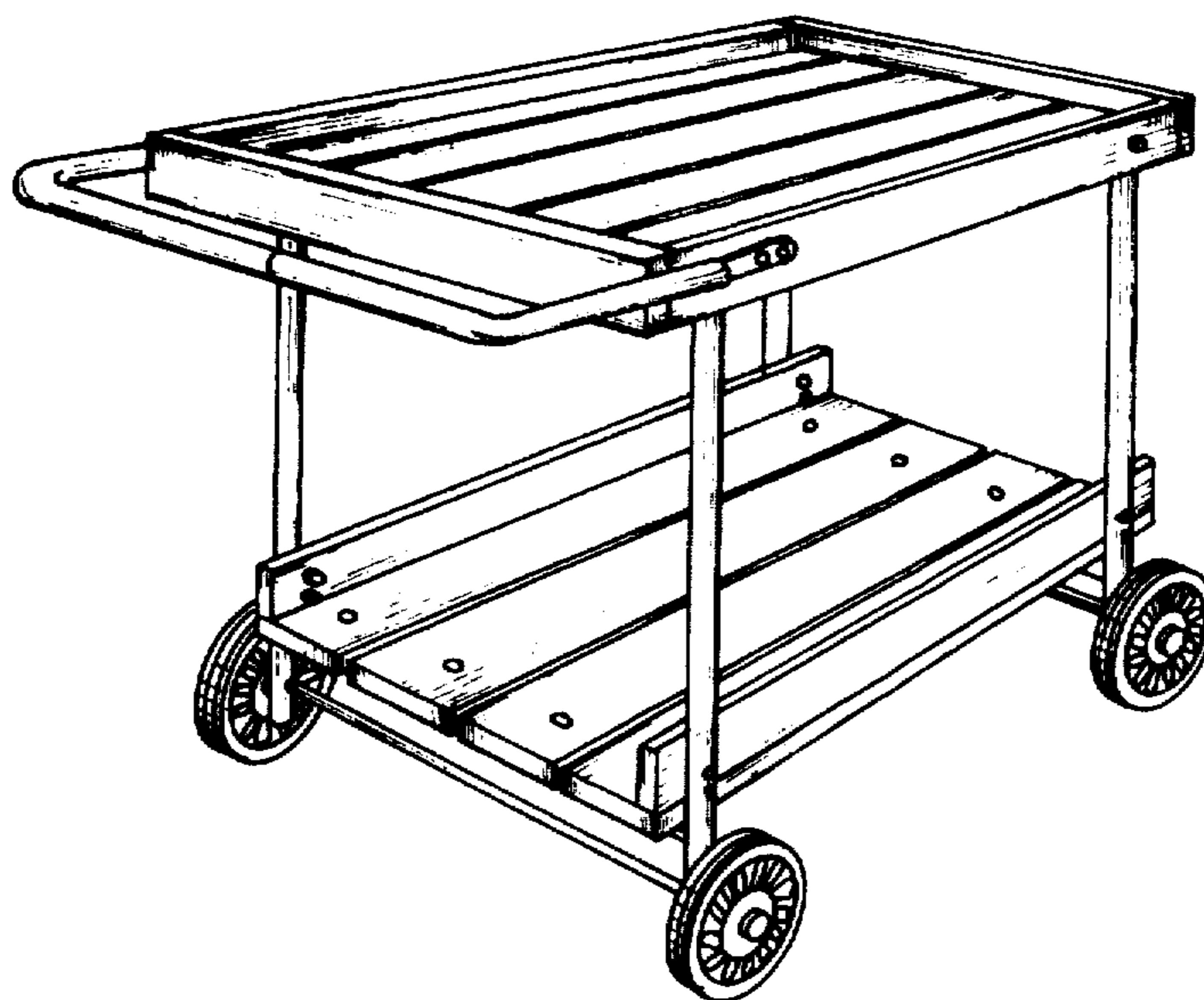
FIG. 1 is a perspective view of a barbecue cart showing my new design;

FIG. 2 is a front elevational view thereof;

FIG. 3 is a side elevational view thereof;

FIG. 4 is a rear elevational view thereof; and

FIG. 5 is a top plan view thereof.



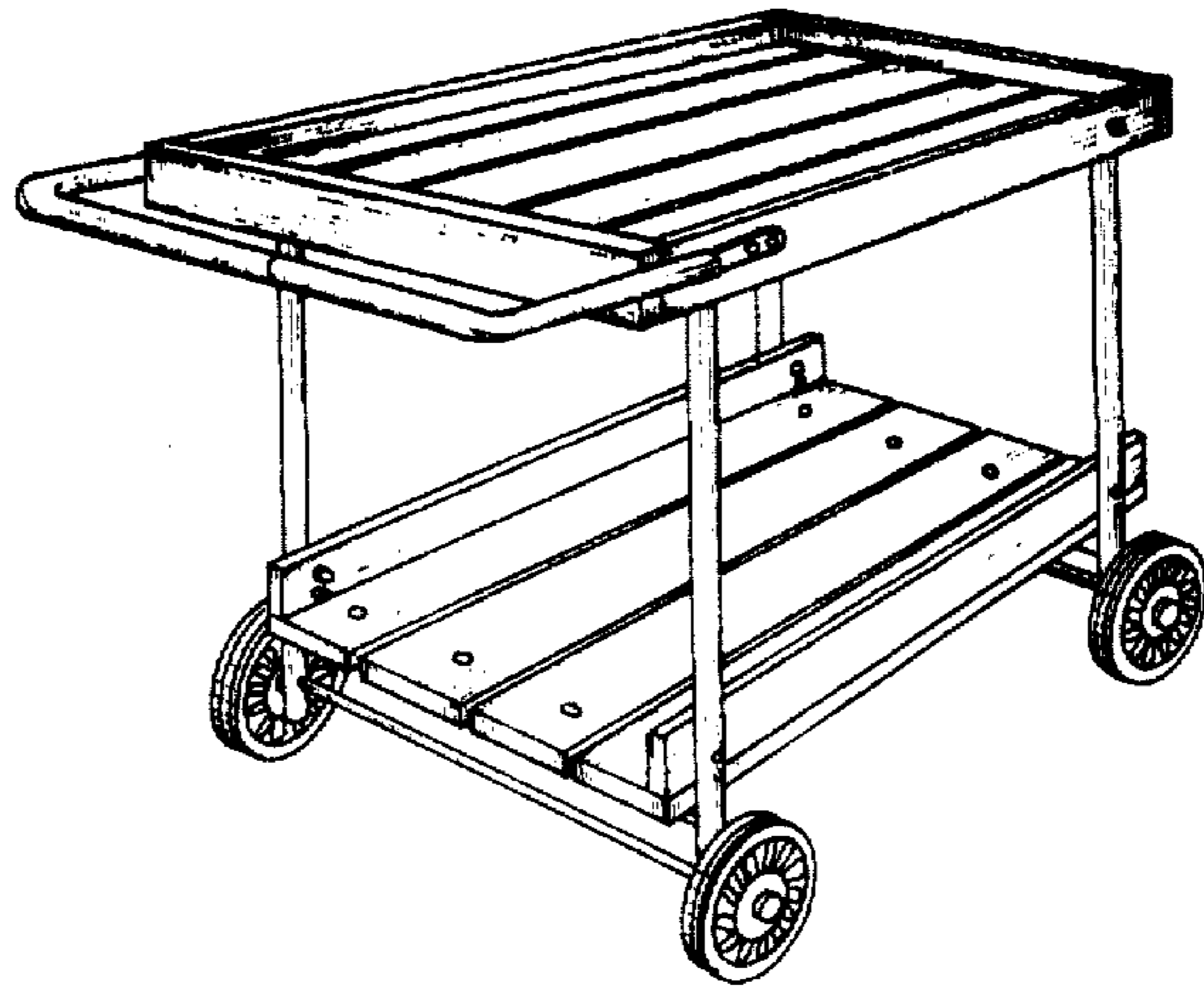


FIG. 1

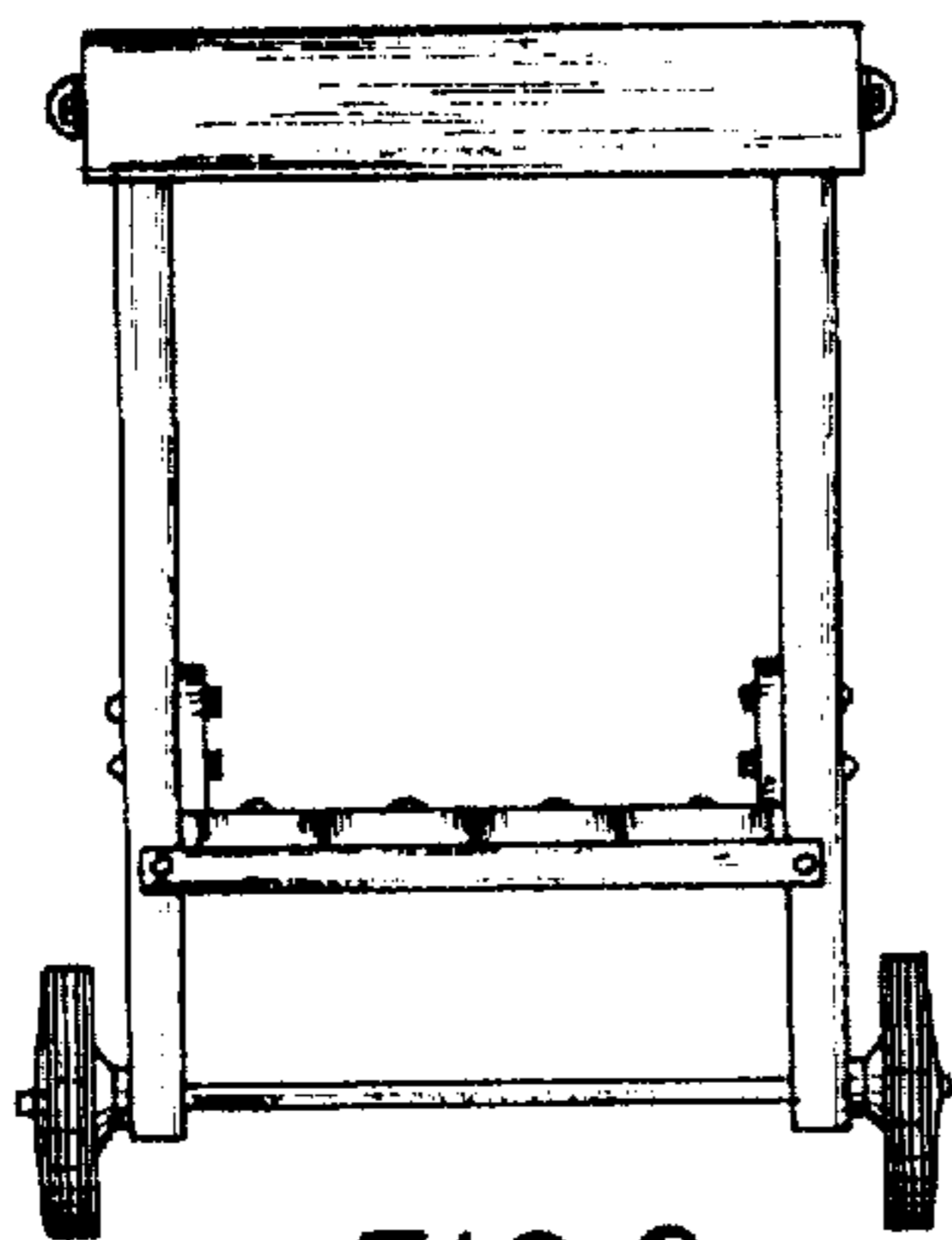


FIG. 2

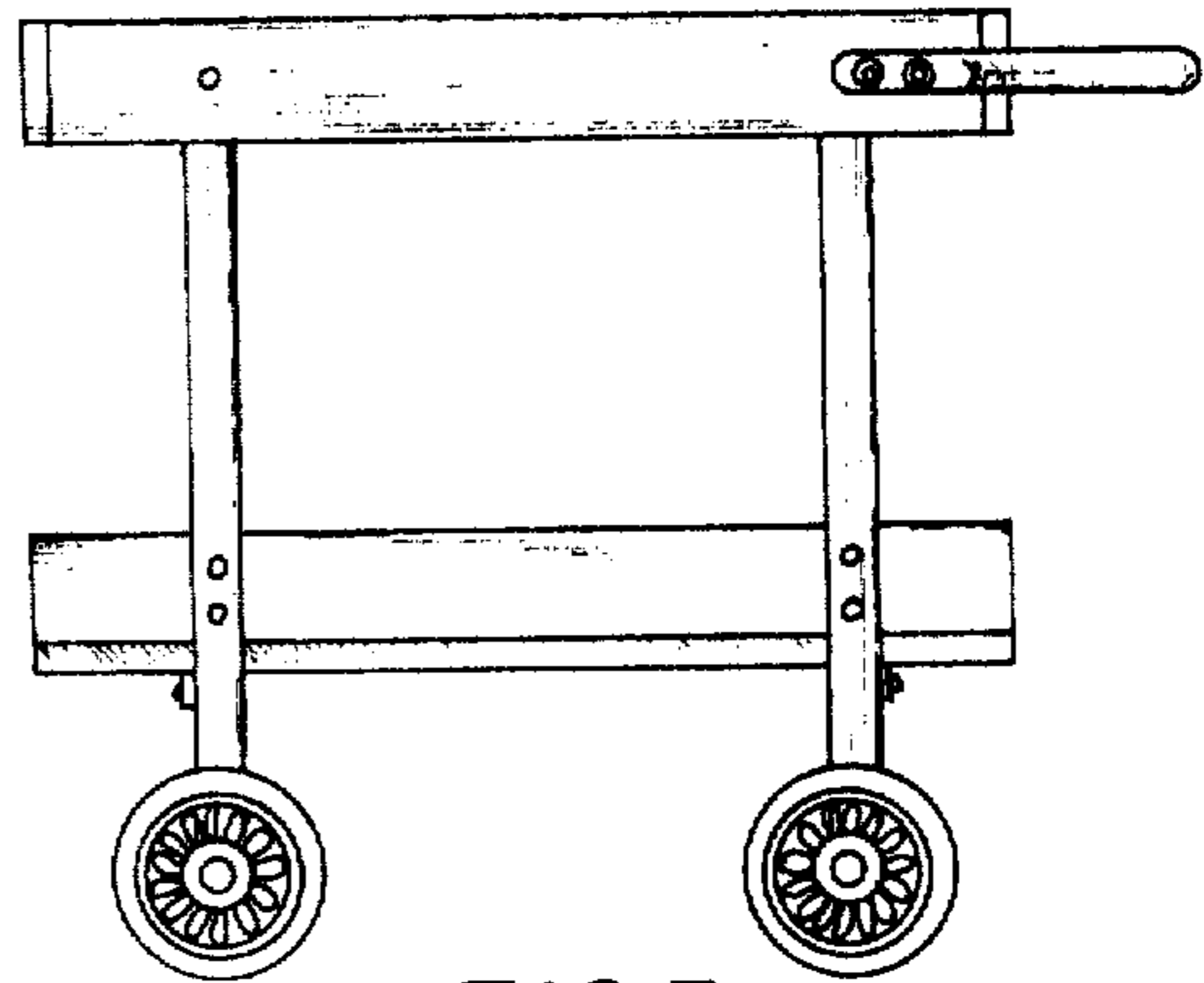


FIG. 3

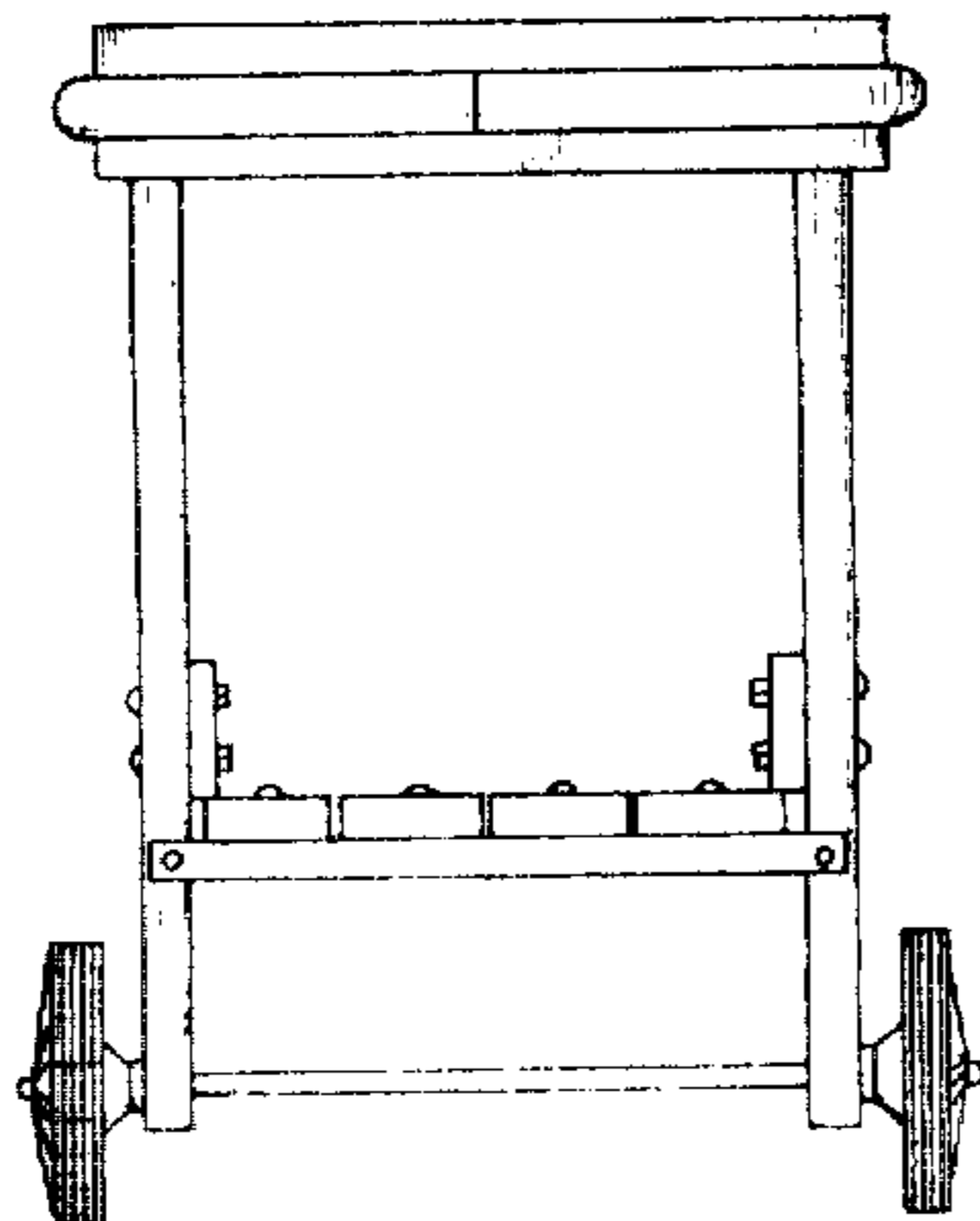


FIG. 4

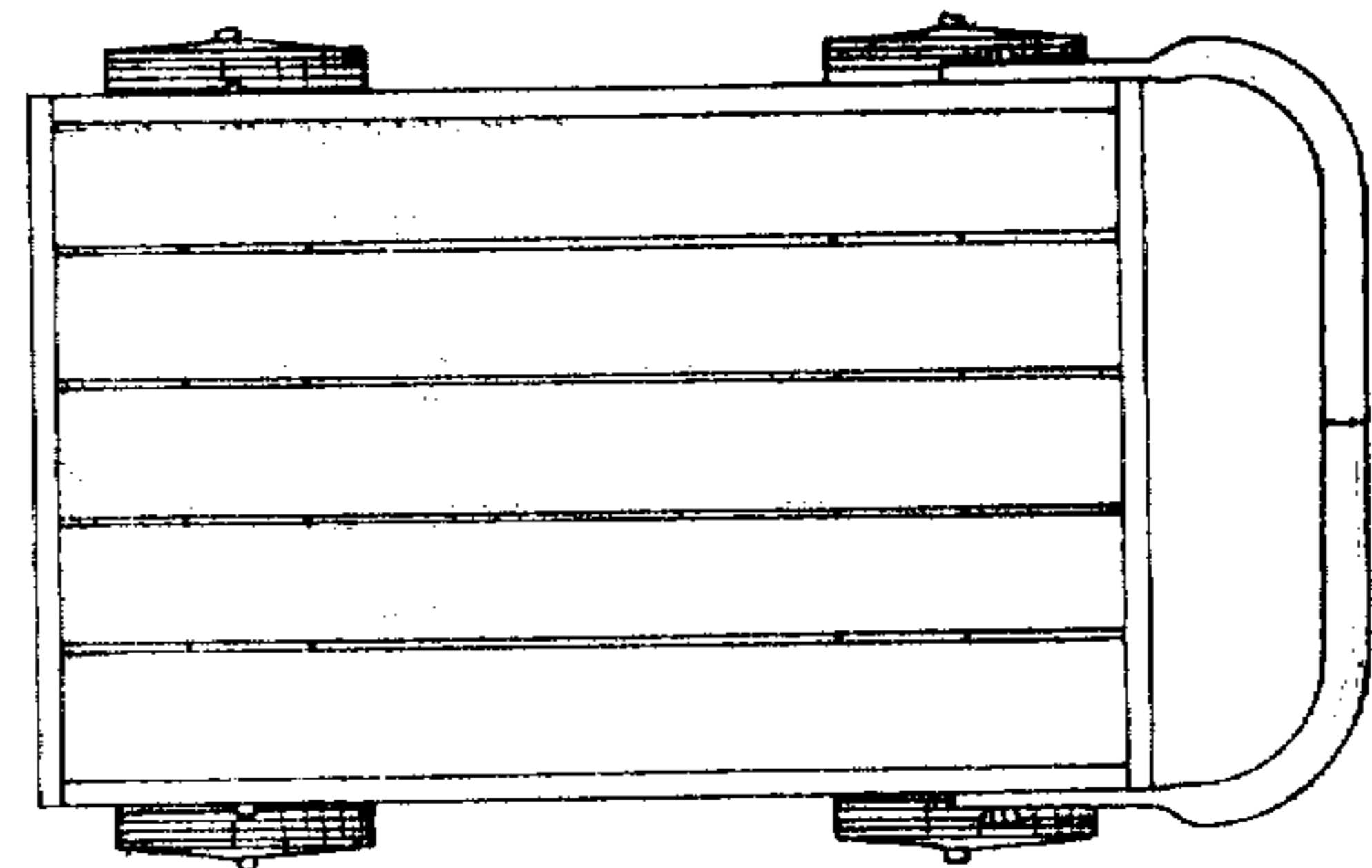


FIG. 5