

[54] MOBILE GOLF CLUB CONTAINER

[76] Inventor: Peter J. Gillett, 23, Lanfrey Pl., West Kensington, London, W14 9PY, England

[\*\*] Term: 14 Years

[21] Appl. No.: 307,890

[22] Filed: Oct. 2, 1981

[30] Foreign Application Priority Data

Apr. 10, 1981 [GB] United Kingdom ..... 999926

[51] Int. Cl. .... D12-02; D3-01

[52] U.S. Cl. .... D34/15; D3/37

[58] Field of Search ..... D34/15; 280/DIG. 6; D3/37

[56] References Cited

U.S. PATENT DOCUMENTS

D. 230,871 3/1974 Worthington ..... D3/37

D. 251,140 2/1979 Leitzel ..... D3/37

3,900,209 8/1975 McDonnell ..... 280/DIG. 6  
4,017,091 4/1977 Wallen ..... 280/DIG. 6

Primary Examiner—James M. Gandy

[57] CLAIM

The ornamental design for a mobile golf club container, as shown and described.

DESCRIPTION

FIG. 1 is a perspective view of a mobile golf club container showing the top, front and one side of my new design;

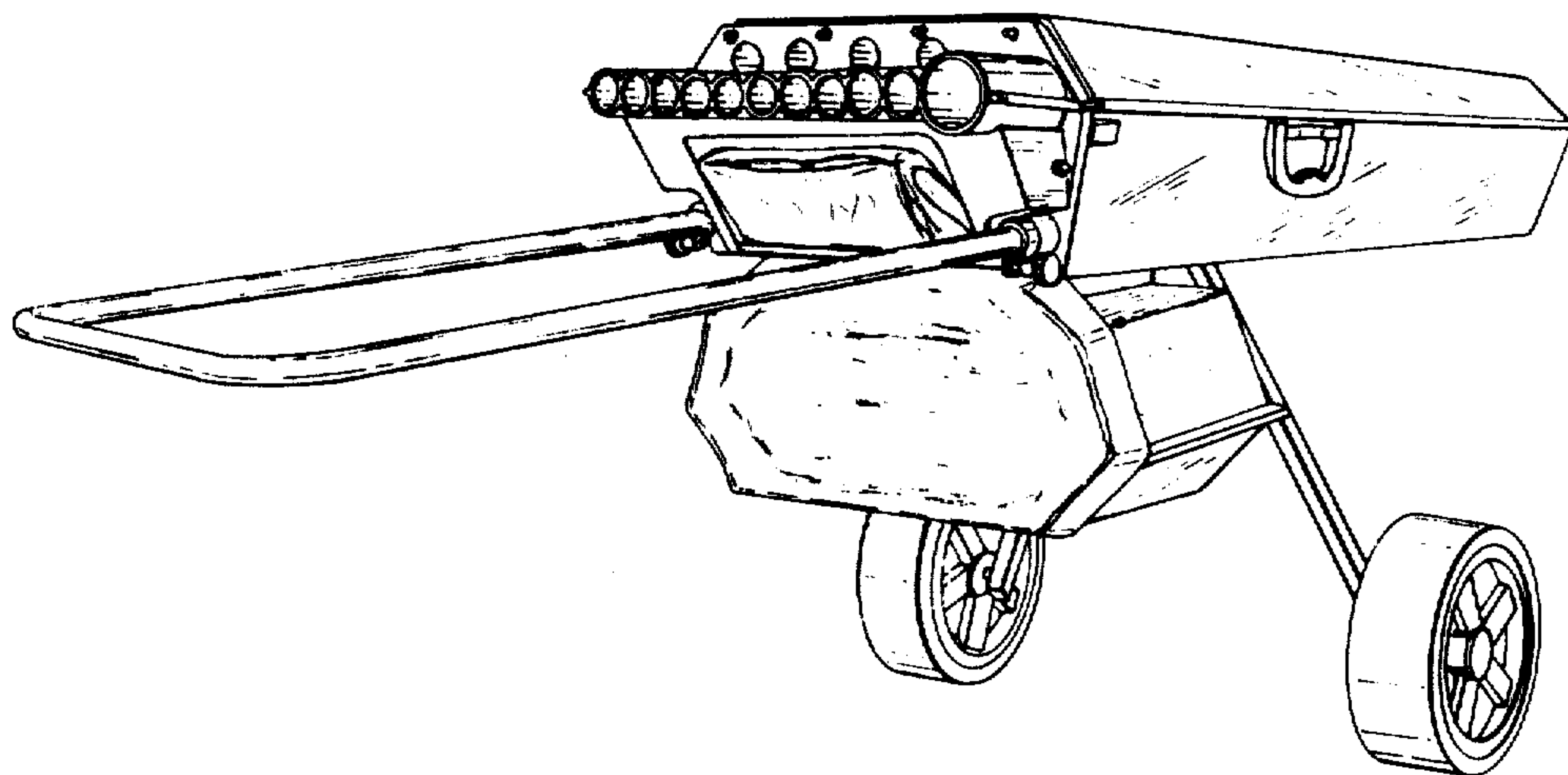
FIG. 2 is a perspective view showing the top, rear and opposite side thereof;

FIG. 3 is a rear elevational view thereof with the wheel storage cover in open condition;

FIG. 4 is a top perspective view thereof with the wheel in operational condition and the club housing cover in open condition; and

FIG. 5 is a side elevational view of FIG. 4.

The bottom of the container is understood to be plain and unornamented.



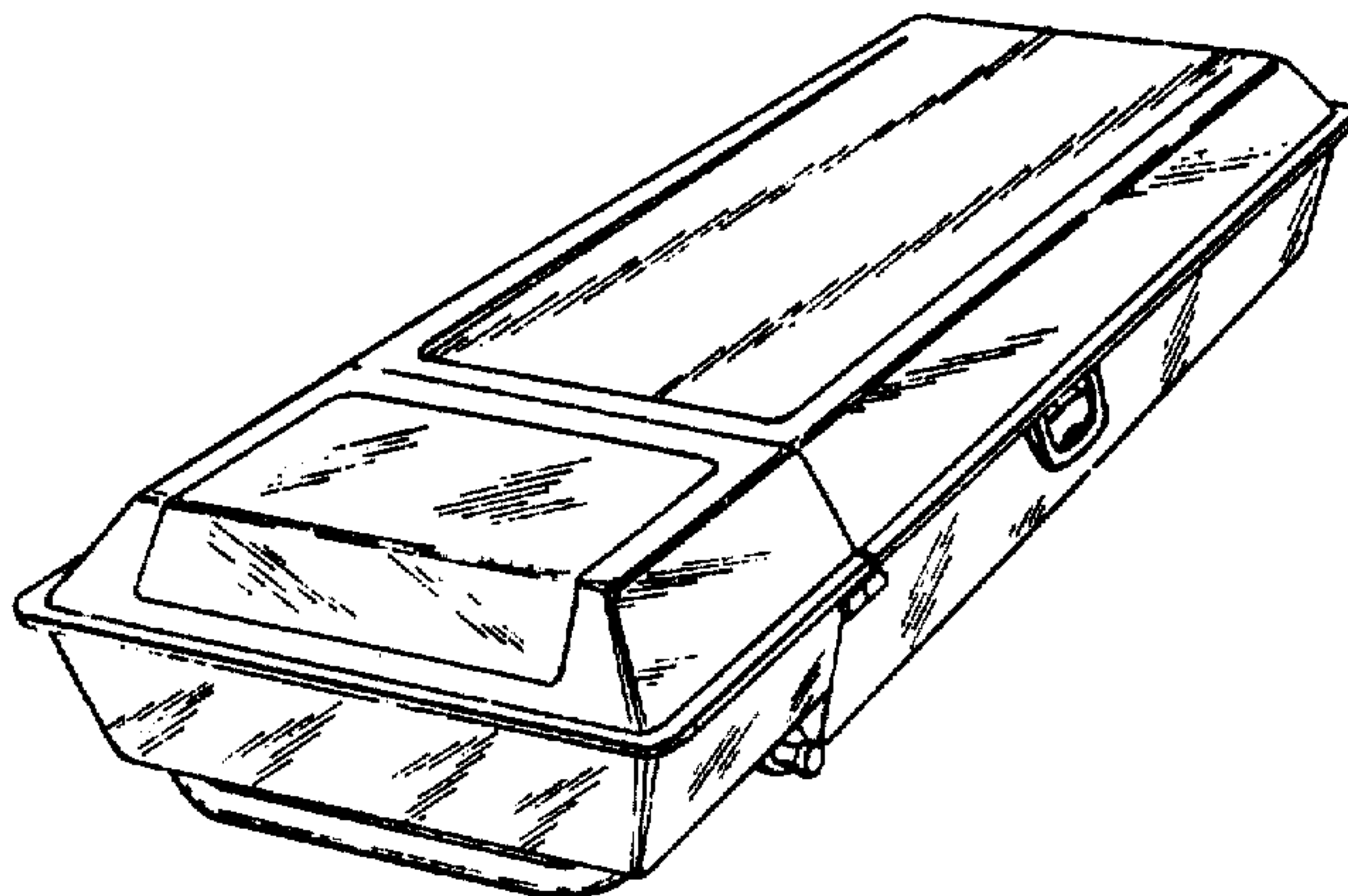


FIG. 1.

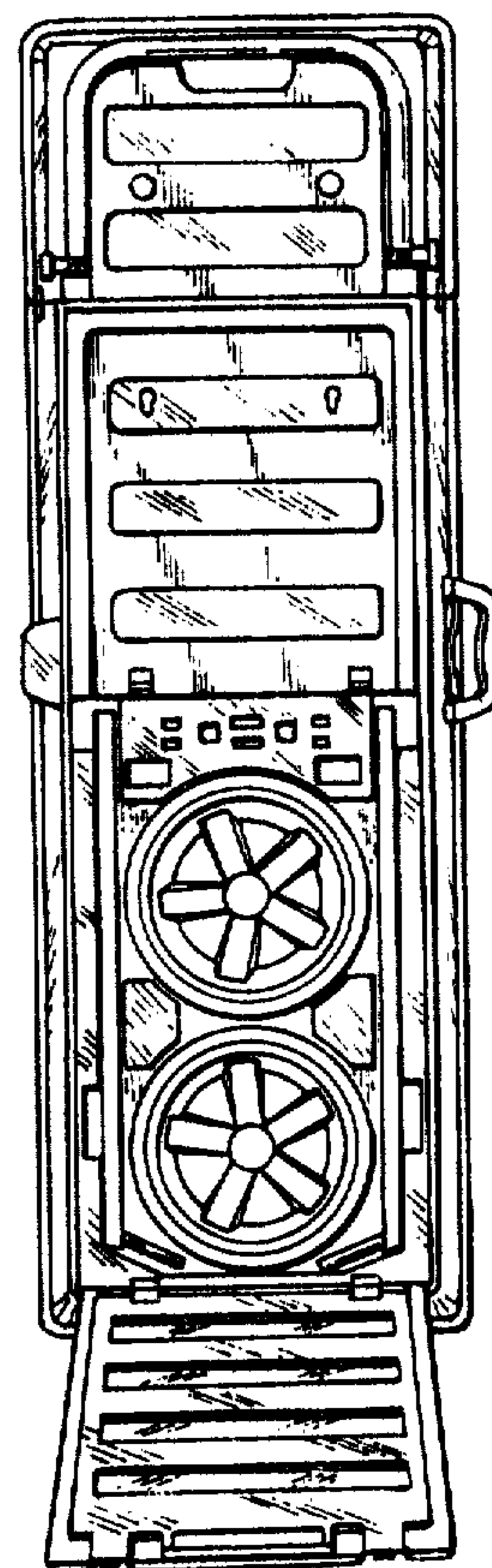


FIG. 3.

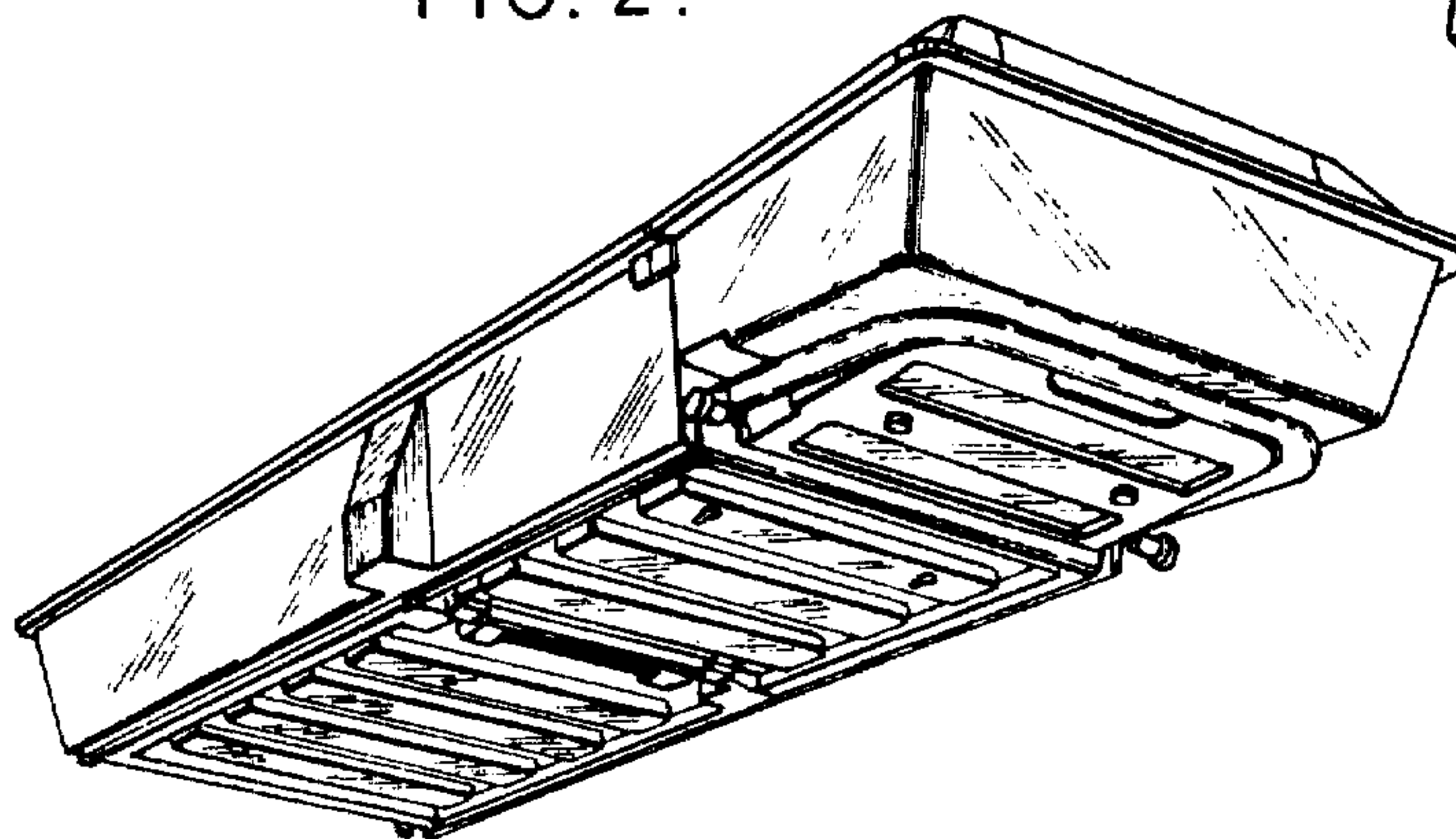


FIG. 2.

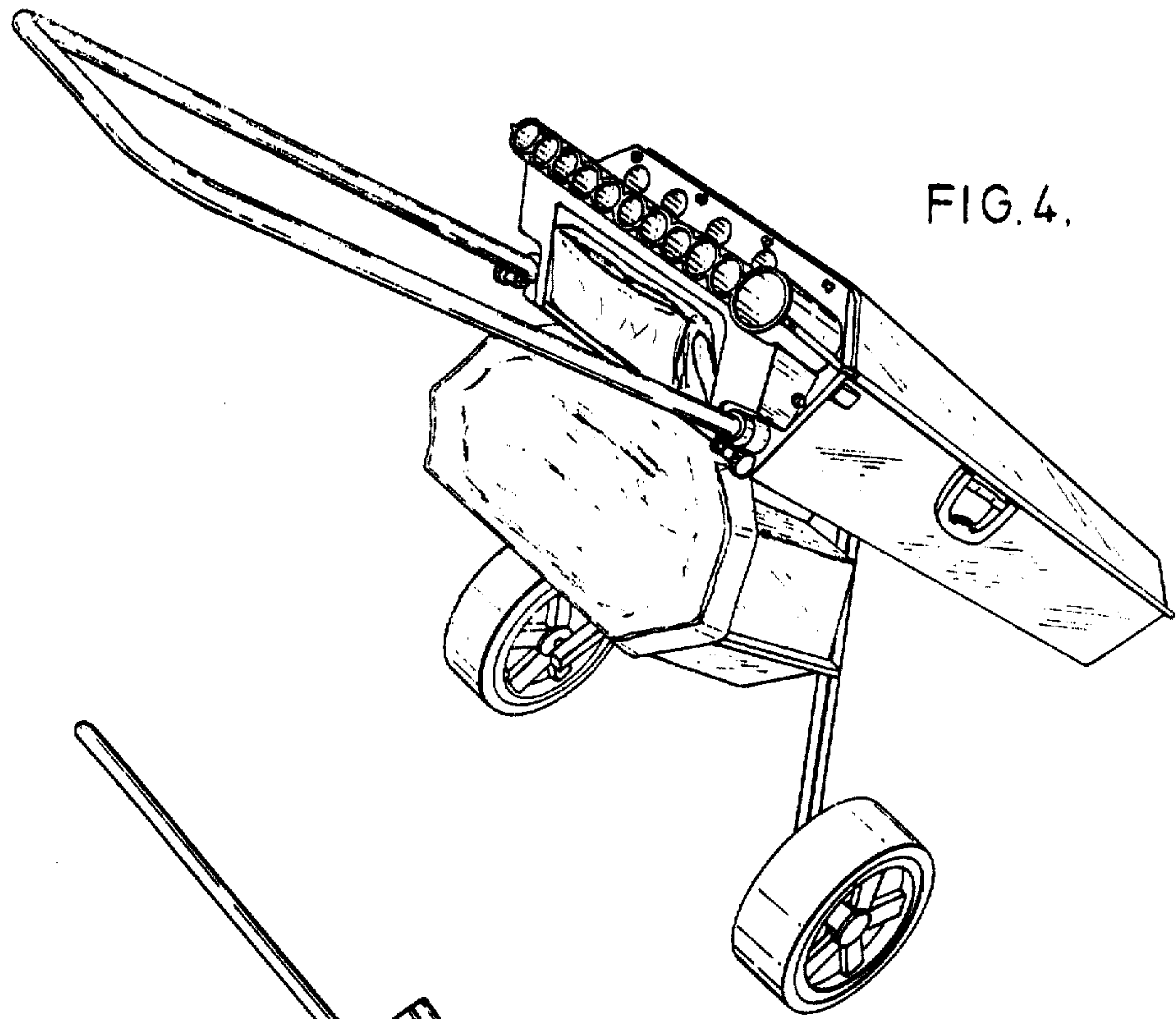


FIG. 4.

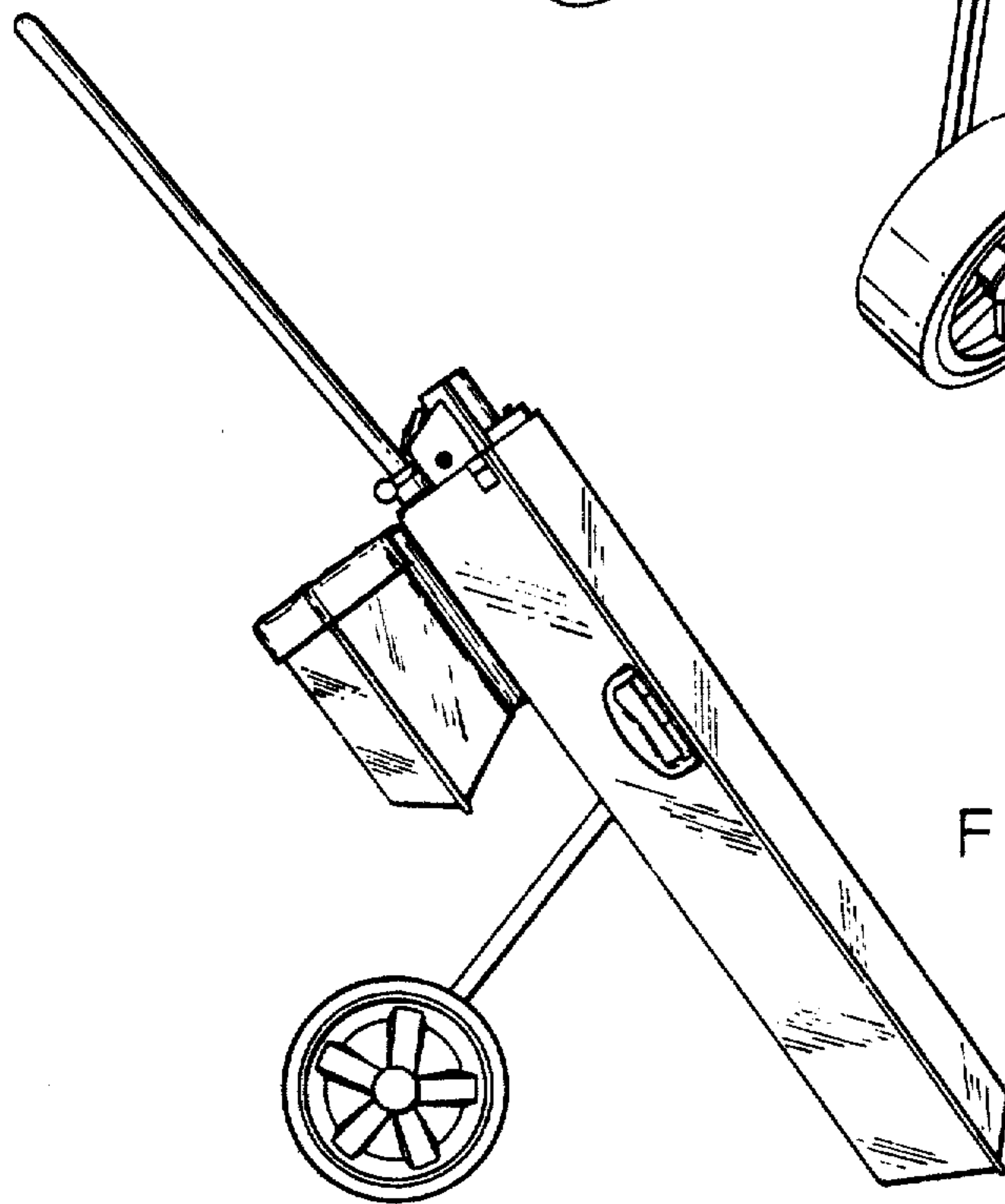


FIG. 5.