

[54] DENTAL TREATMENT CABINET  
[75] Inventor: Carl W. Voltz, Lindenfels, Fed. Rep. of Germany  
[73] Assignee: Sybron Corporation, Rochester, N.Y.  
[\*\*] Term: 14 Years  
[21] Appl. No.: 263,247  
[22] Filed: May 13, 1981  
[51] Int. Cl. .... D24-01; D6-03  
[52] U.S. Cl. .... D24/1.1; D6/156; D6/179  
[58] Field of Search ..... D24/4; 312/209, 279, 312/278, 327; 433/77, 78, 79; D6/156, 179, 177, 157, 27

[56] **References Cited**  
**U.S. PATENT DOCUMENTS**  
D. 246,255 11/1977 Truette ..... D24/4

D. 252,469 7/1979 Mallory et al. .... D24/4  
D. 266,463 10/1982 Scott ..... D6/156  
3,997,218 12/1976 Wolf et al. .... 312/209  
4,217,009 8/1980 Suter ..... 312/209  
4,275,940 6/1981 Draper ..... 312/209

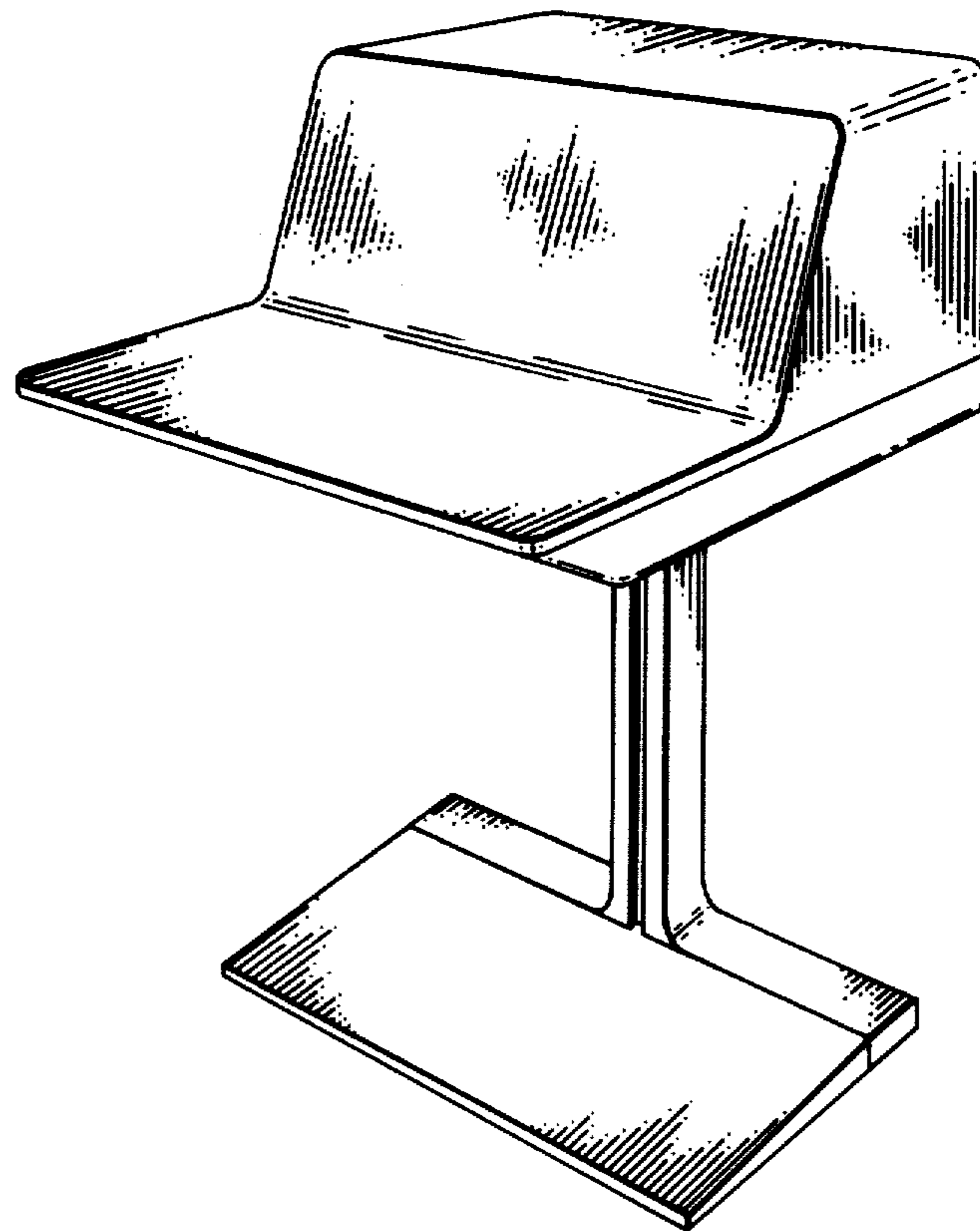
*Primary Examiner*—Bernard Ansher  
*Attorney, Agent, or Firm*—Robert A. Gerlach; Robert J. Bird; Roger Aceto

[57] **CLAIM**

The ornamental design for a dental treatment cabinet, substantially as shown and described.

**DESCRIPTION**

FIG. 1 is a top plan view of a dental treatment cabinet showing my new design;  
FIG. 2 is a front elevation view thereof;  
FIG. 3 is a side elevation view thereof; and  
FIG. 4 is a top front perspective view thereof.  
The undisclosed rear portions of the cabinet are plane and unornamented.



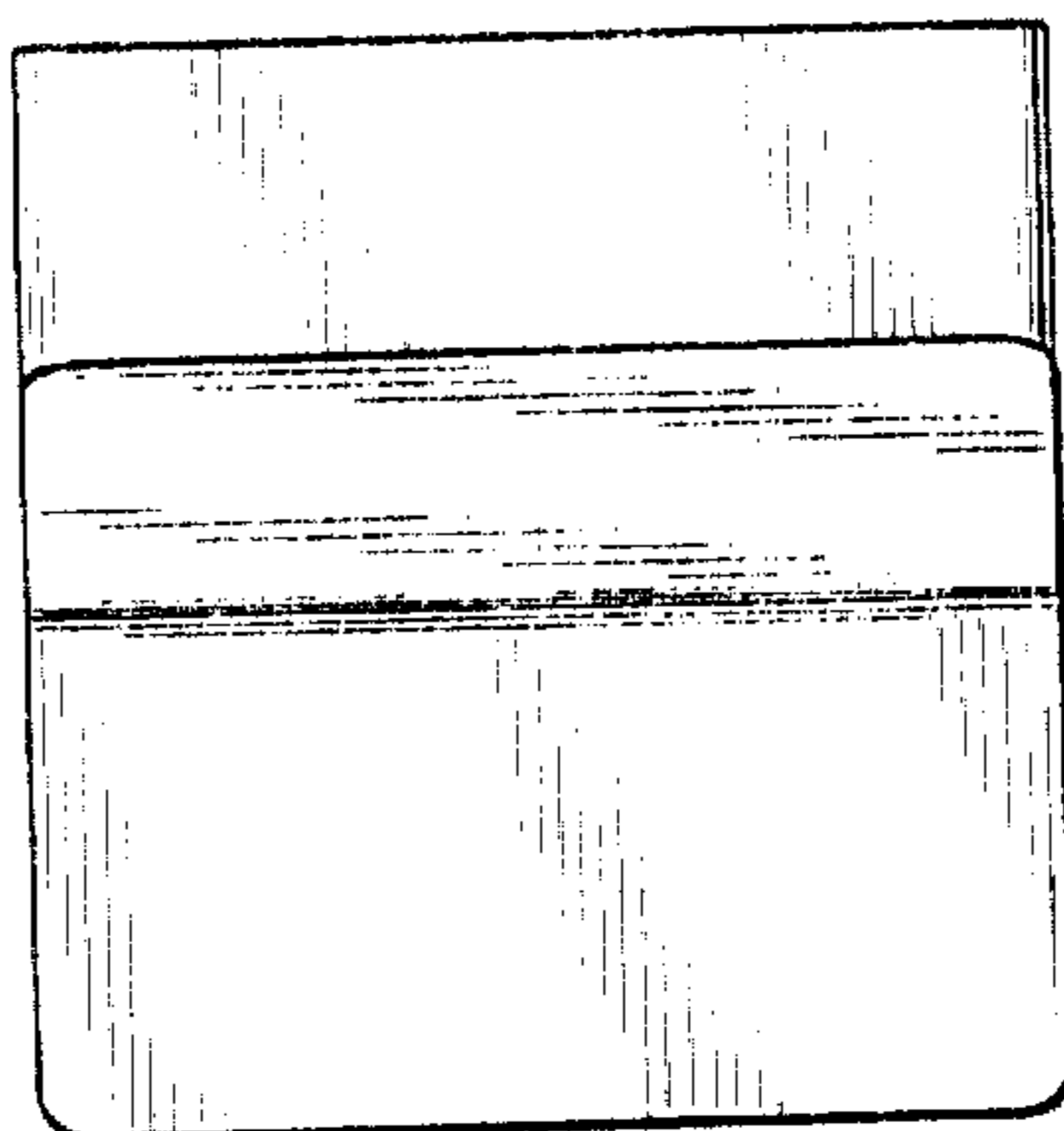


FIG. 1

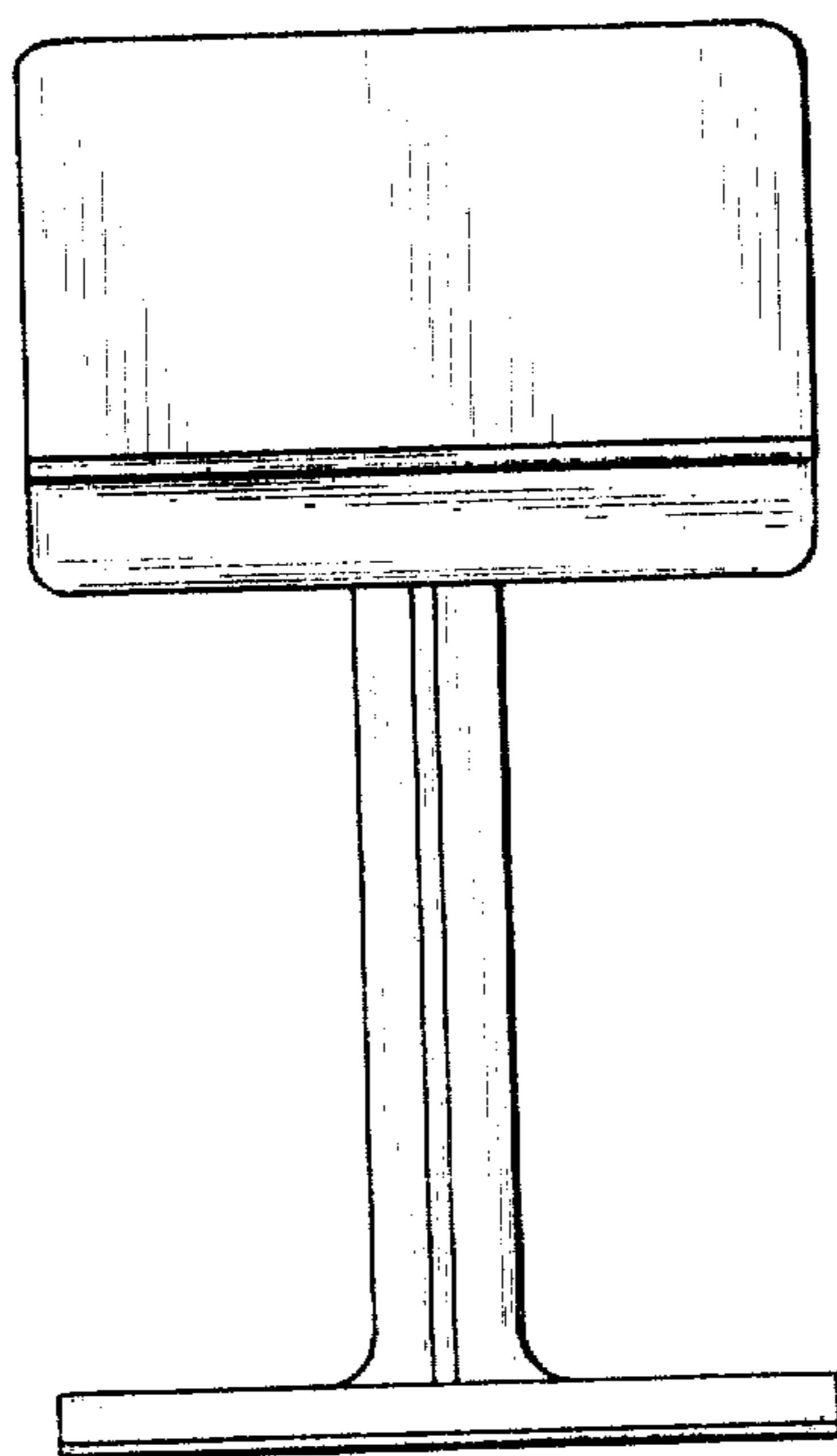


FIG. 2

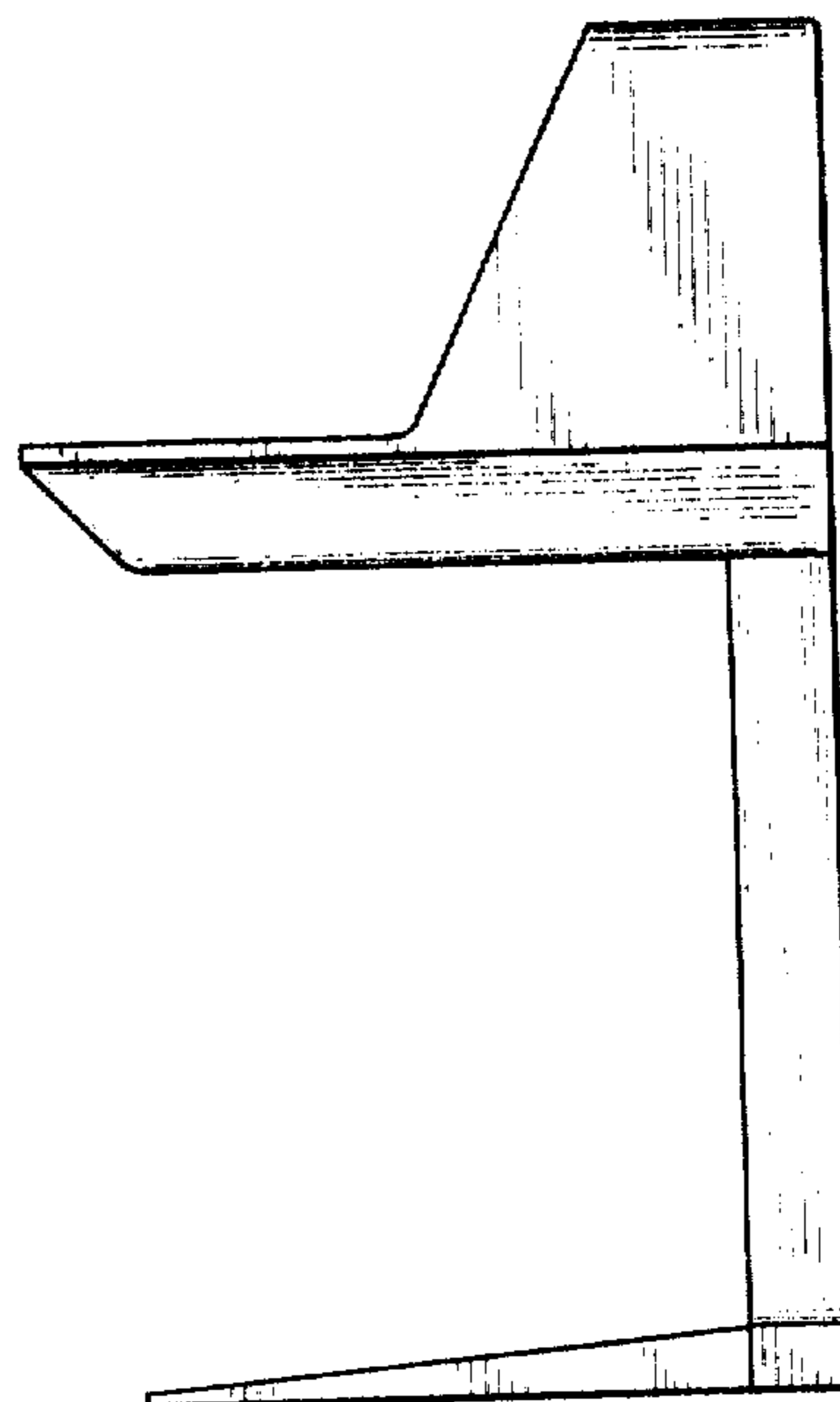


FIG. 3

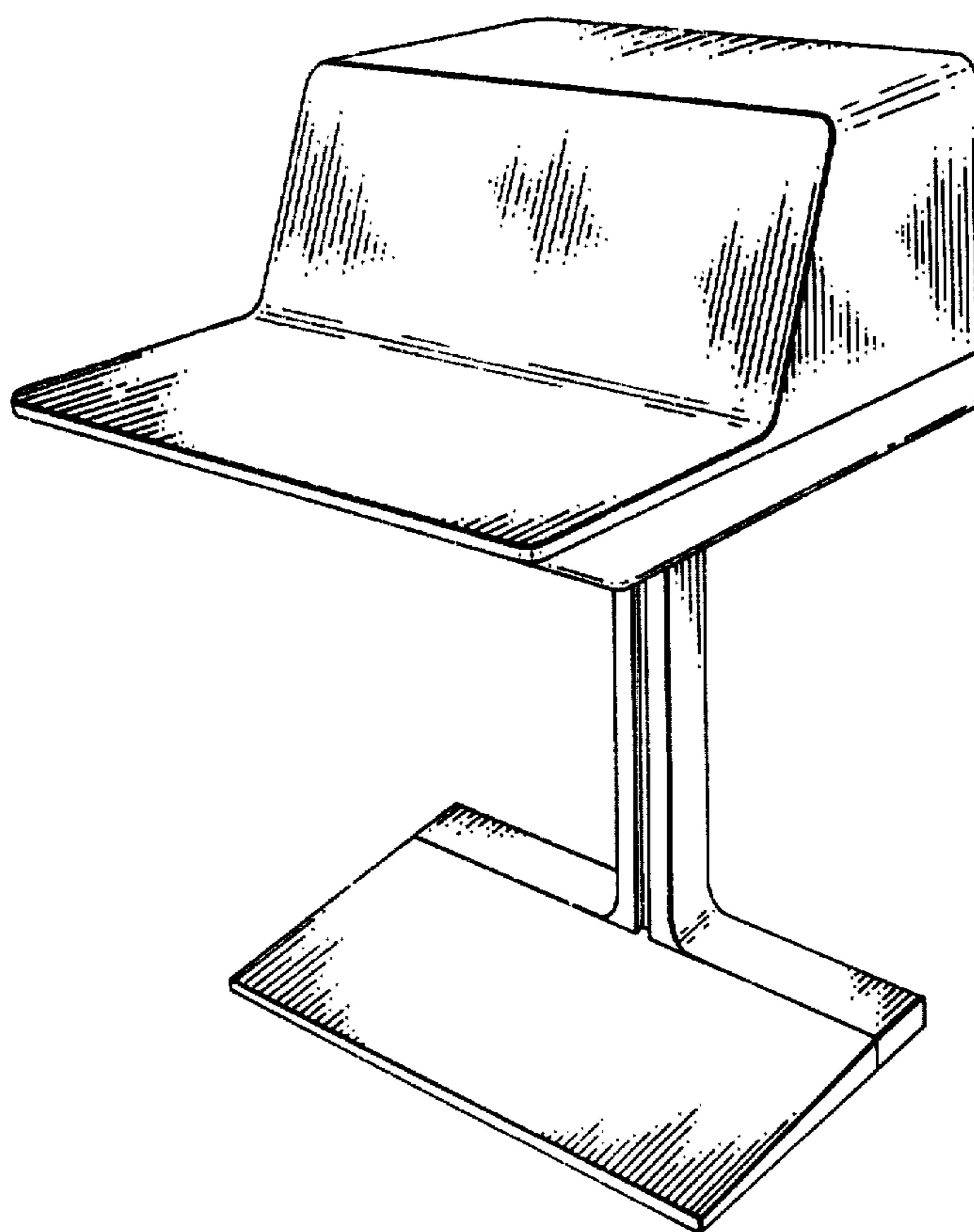


FIG. 4