

[54] DENTAL TREATMENT CABINET

[75] Inventor: Carl W. Voltz, Lindenfels, Fed. Rep. of Germany

[73] Assignee: Sybron Corporation, Rochester, N.Y.

[**] Term: 14 Years

[21] Appl. No.: 263,233

[22] Filed: May 13, 1981

[51] Int. Cl. D24-01; D6-03

[52] U.S. Cl. D24/1.1; D6/156; D6/179

[58] Field of Search D24/4; 312/209, 279, 312/278, 327; 433/77, 78, 79; D6/156, 179, 177, 157, 27

[56] References Cited

U.S. PATENT DOCUMENTS

D. 246,255 11/1977 Truette D24/4

D. 252,469 7/1979 Mallory et al. D24/4
D. 266,463 10/1982 Scott D6/156
3,997,218 12/1976 Wolfe et al. 312/209
4,217,009 8/1980 Suter 312/209
4,275,940 6/1981 Draper 312/209

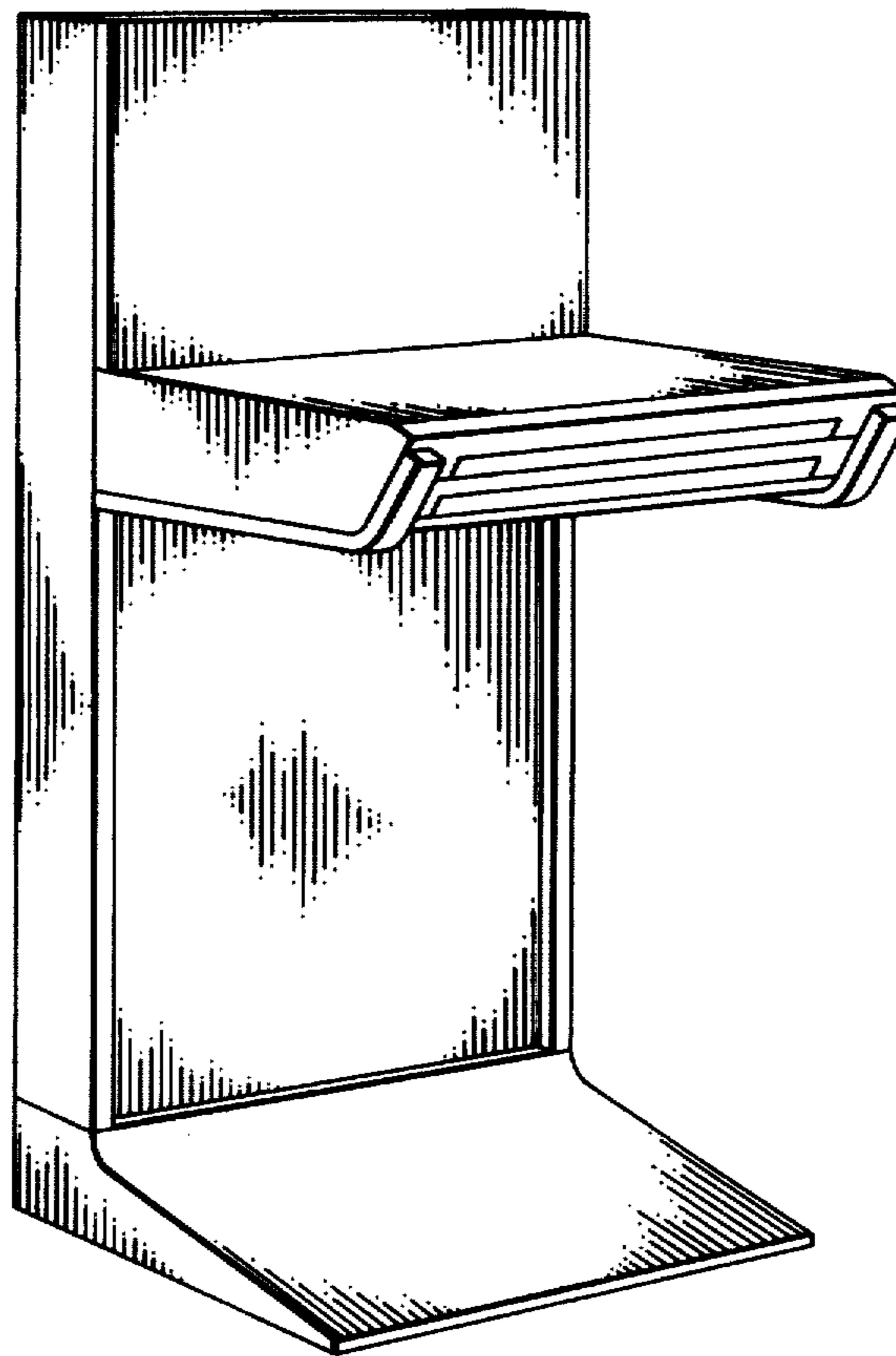
Primary Examiner—Bernard Ansher
Attorney, Agent, or Firm—Robert A. Gerlach; Robert J. Bird; Roger Aceto

[57] CLAIM

The ornamental design for a dental treatment cabinet, substantially as shown and described.

DESCRIPTION

FIG. 1 is a top plan view of a dental treatment cabinet showing my new design;
FIG. 2 is a front elevation view thereof;
FIG. 3 is a side elevation view thereof; and
FIG. 4 is a top front perspective view thereof.
The undisclosed rear portions of the cabinet are plain and unornamented.



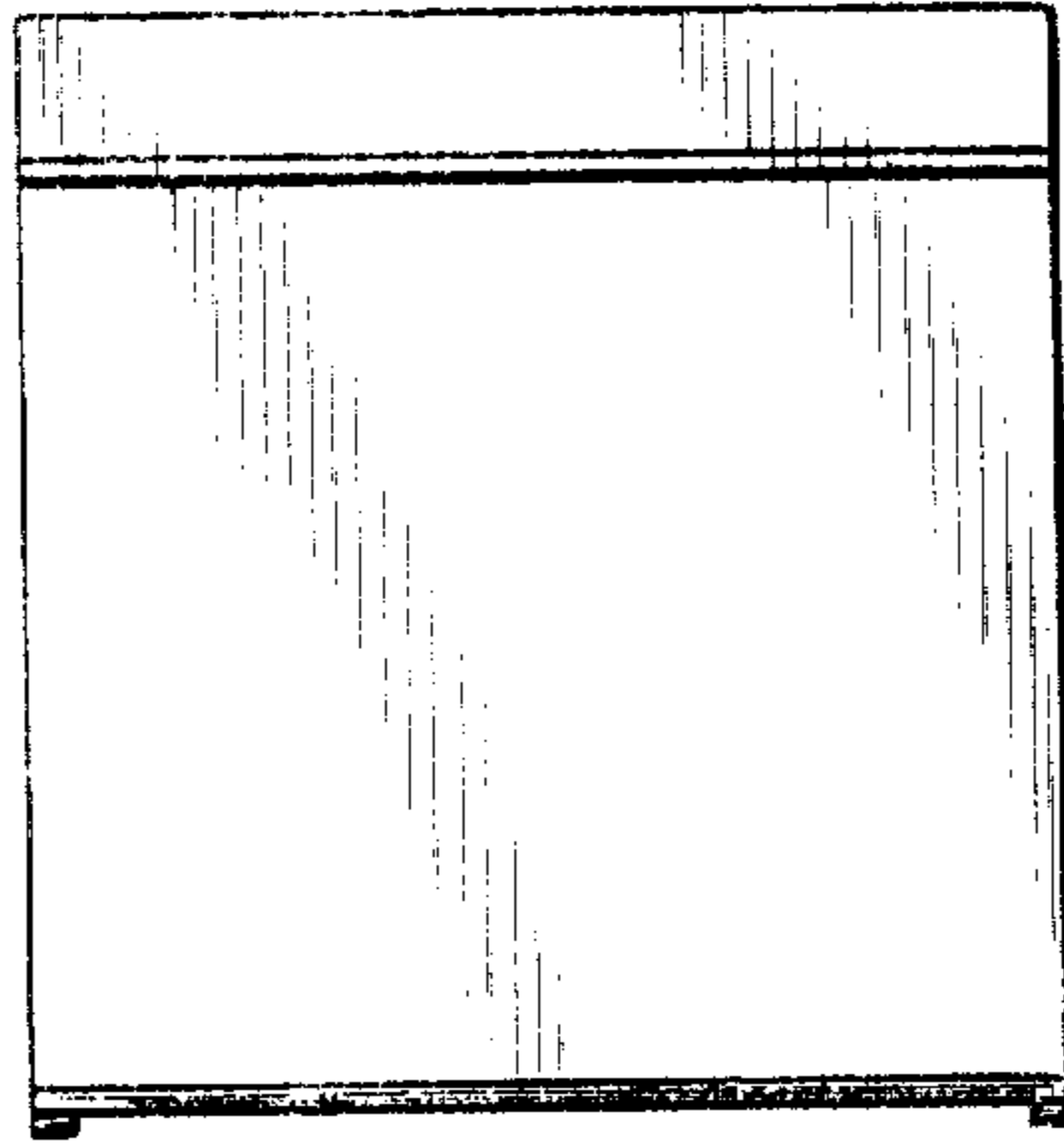


FIG. 1

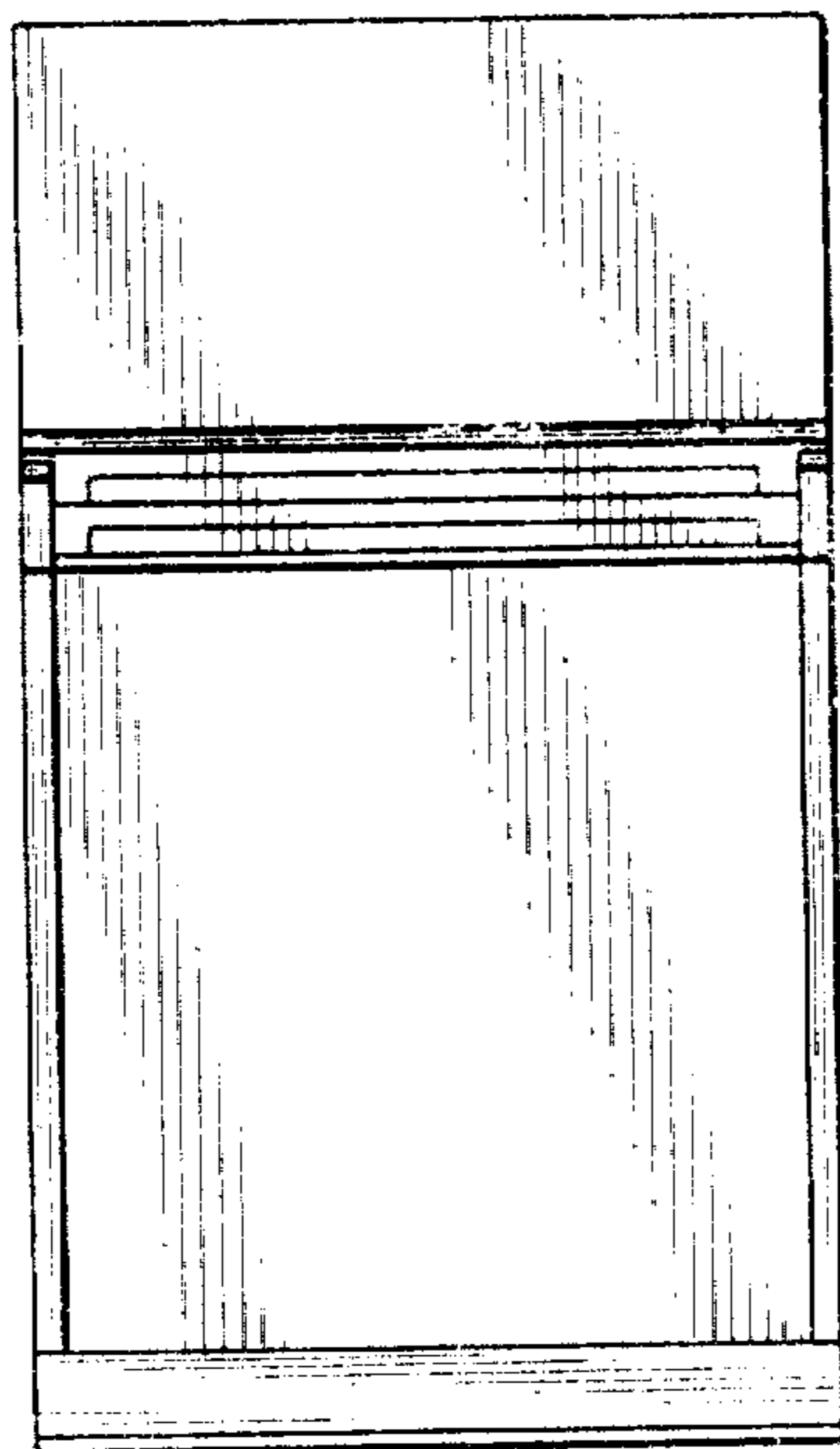


FIG. 2

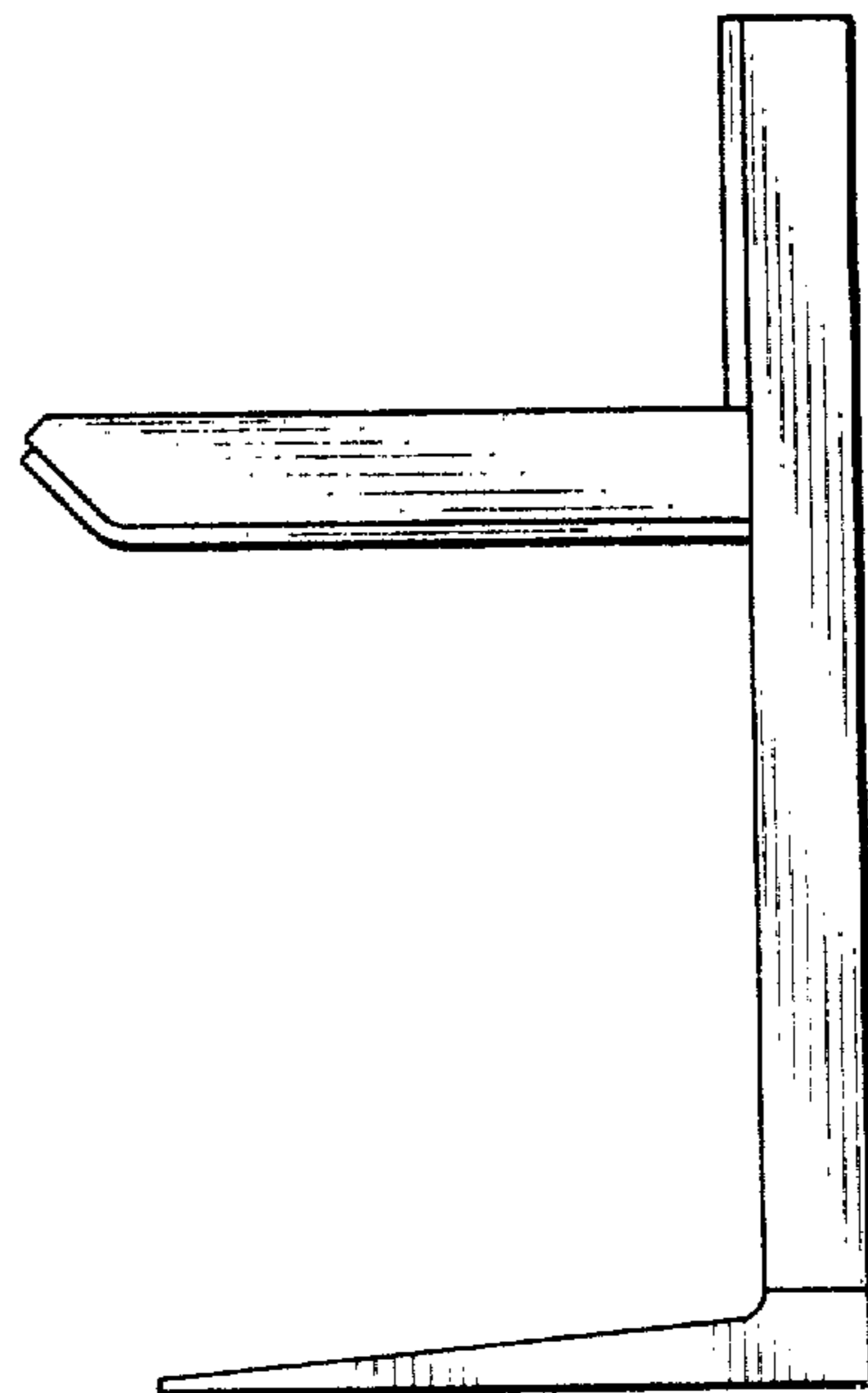


FIG. 3

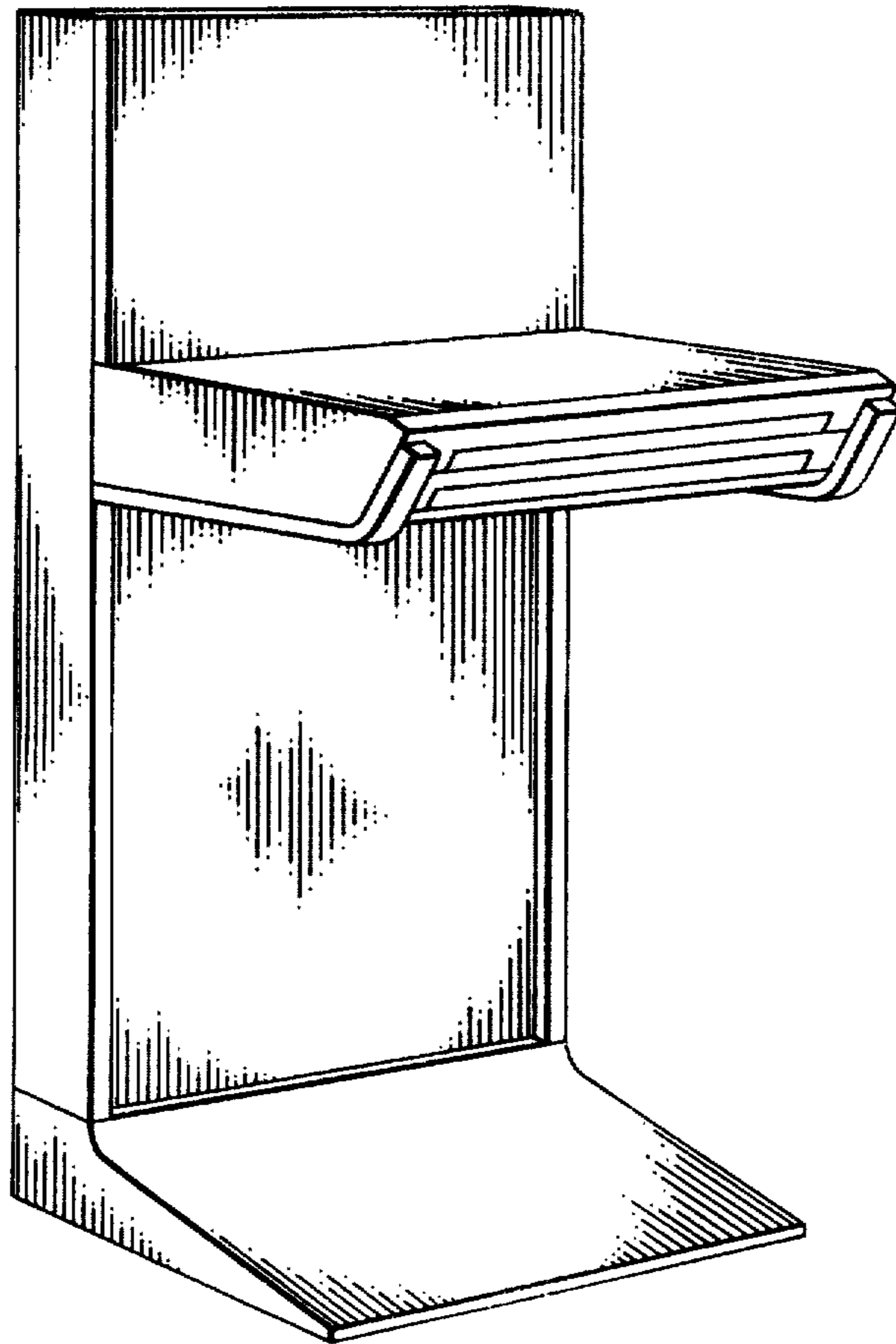


FIG. 4