

[54] AIR ELIMINATOR FOR PLUMBING SYSTEMS OR THE LIKE

3,952,765 4/1976 Kimura 137/171
4,206,779 6/1980 Sandstrom 137/207 X

[76] Inventor: Keizo Honma, No. 6, Nishi
15-chome, Minami 15 Jo, Chuo-ku,
Sapporo, Japan

[**] Term: 14 Years

[21] Appl. No.: 181,191

[22] Filed: Aug. 25, 1980

[30] Foreign Application Priority Data

Mar. 18, 1980 [JP] Japan 55-10579

[51] Int. Cl. D23-01

[52] U.S. Cl. D23/46

[58] Field of Search D23/1, 40, 43, 46, 47;
137/171, 199, 202, 207

[56] References Cited

U.S. PATENT DOCUMENTS

D. 53,747 8/1919 Odenkirk D23/47
D. 97,414 11/1935 Schlafman D23/46
3,833,013 9/1974 Leonard 137/171

OTHER PUBLICATIONS

King Specialty Co. Inc., Special Bulletin, No. 171, (©)
1963, p. 7, lower right items.

Primary Examiner—James R. Largen
Attorney, Agent, or Firm—Browdy and Neimark

[57] CLAIM

The ornamental design for an air eliminator for plumbing systems or the like, as shown and described.

DESCRIPTION

FIG. 1 is a front elevational view of an air eliminator for plumbing systems or the like showing my new design; FIG. 2 is a top plan view thereof; FIG. 3 is a bottom plan view thereof; FIG. 4 is a left end elevational view thereof; FIG. 5 is a right end elevational view thereof; FIG. 6 is a cross-sectional view taken on line 6-6 of FIG. 2; and FIG. 7 is a perspective view taken from the top, front and left side thereof.

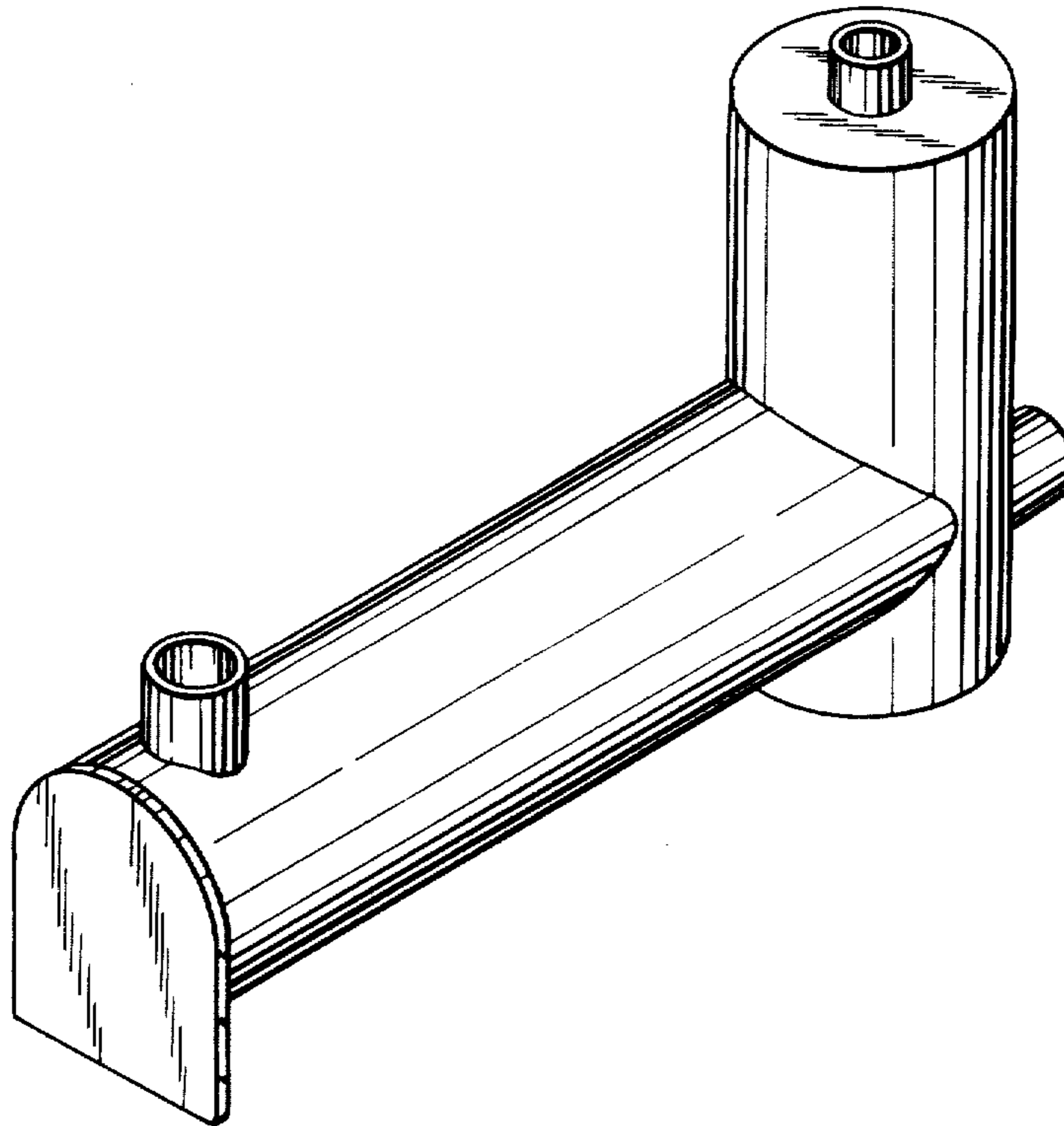


FIG. 2

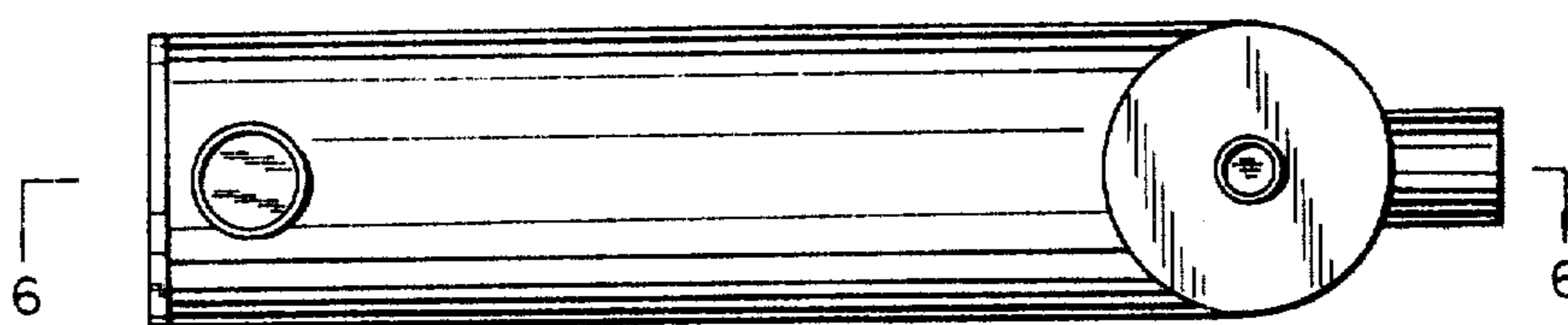


FIG. 1

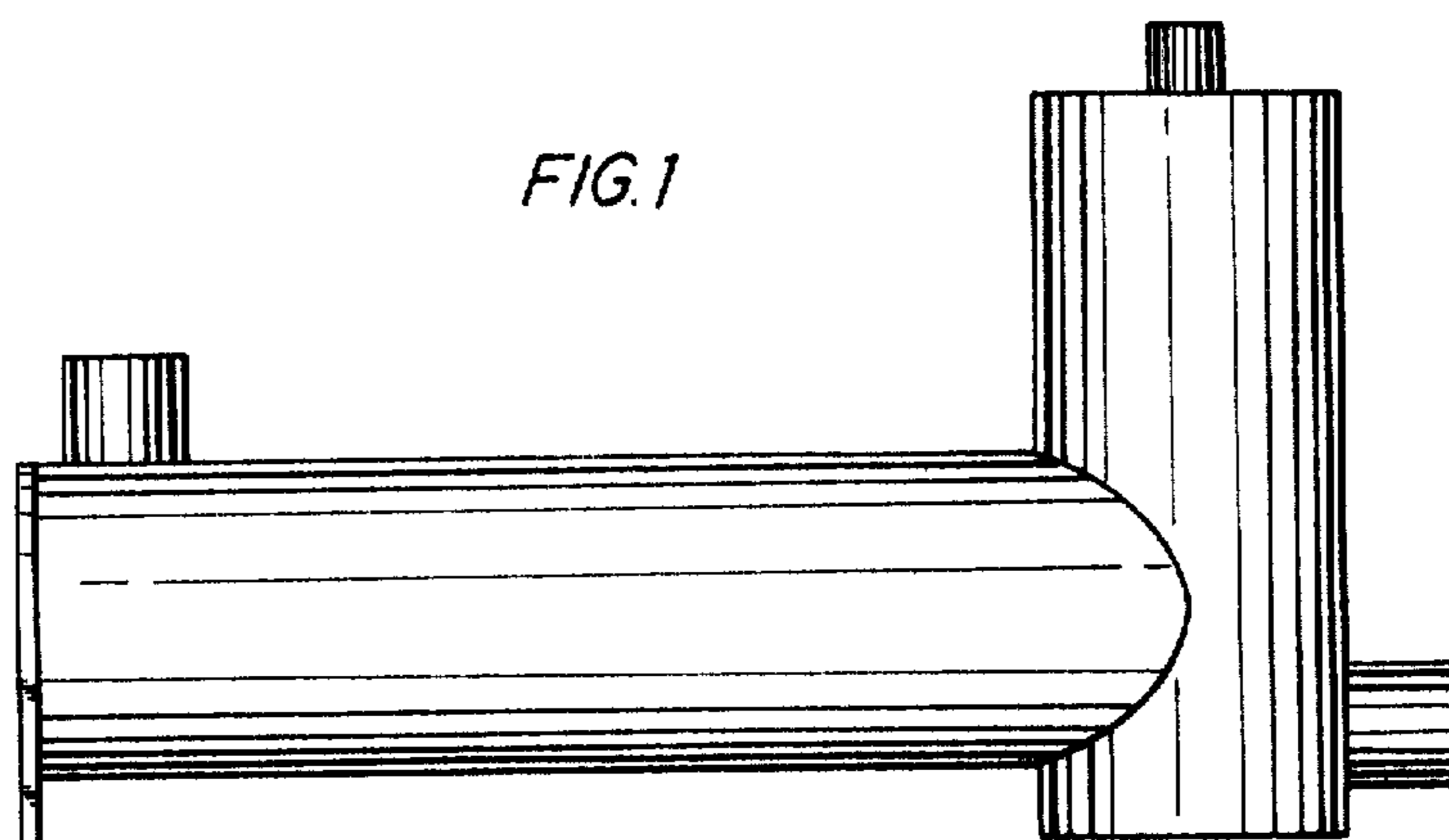


FIG. 3

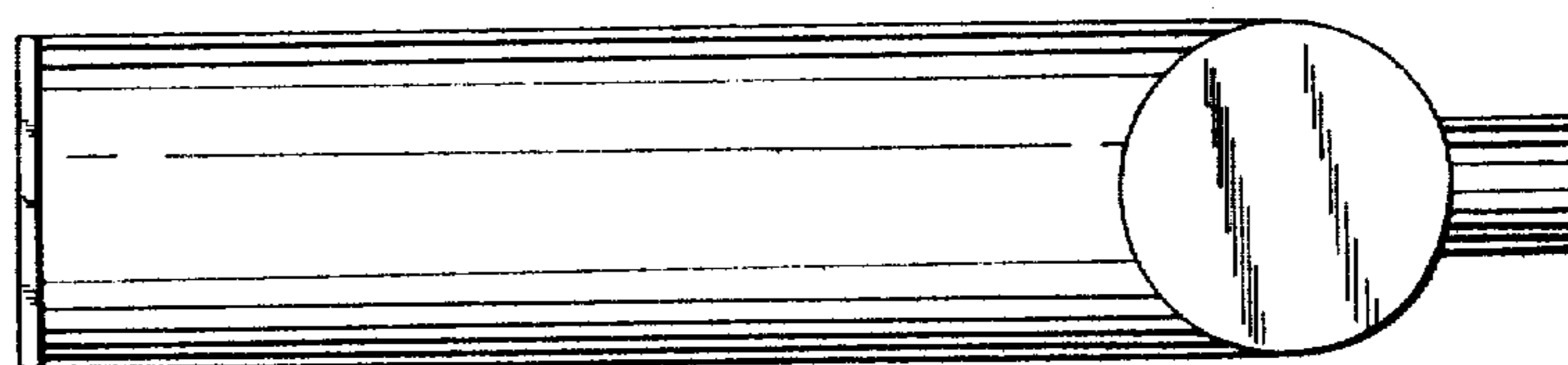


FIG. 4

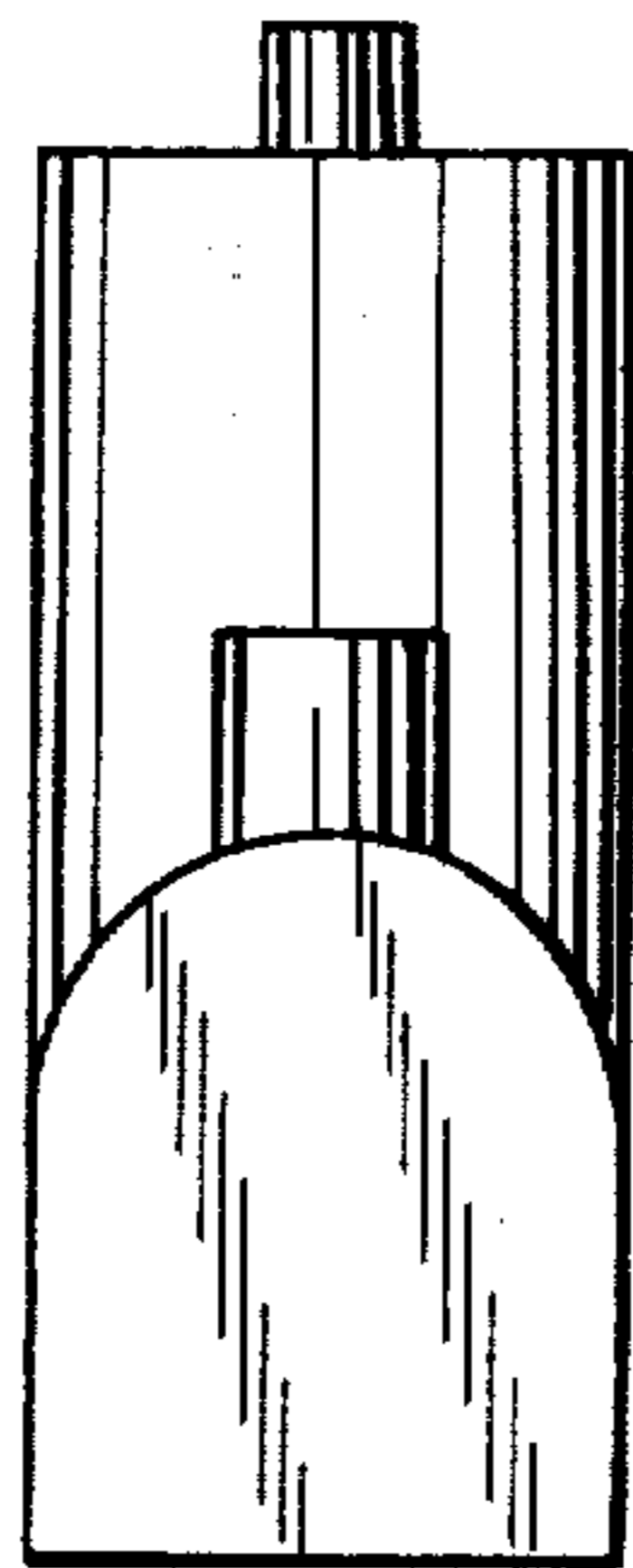


FIG. 5

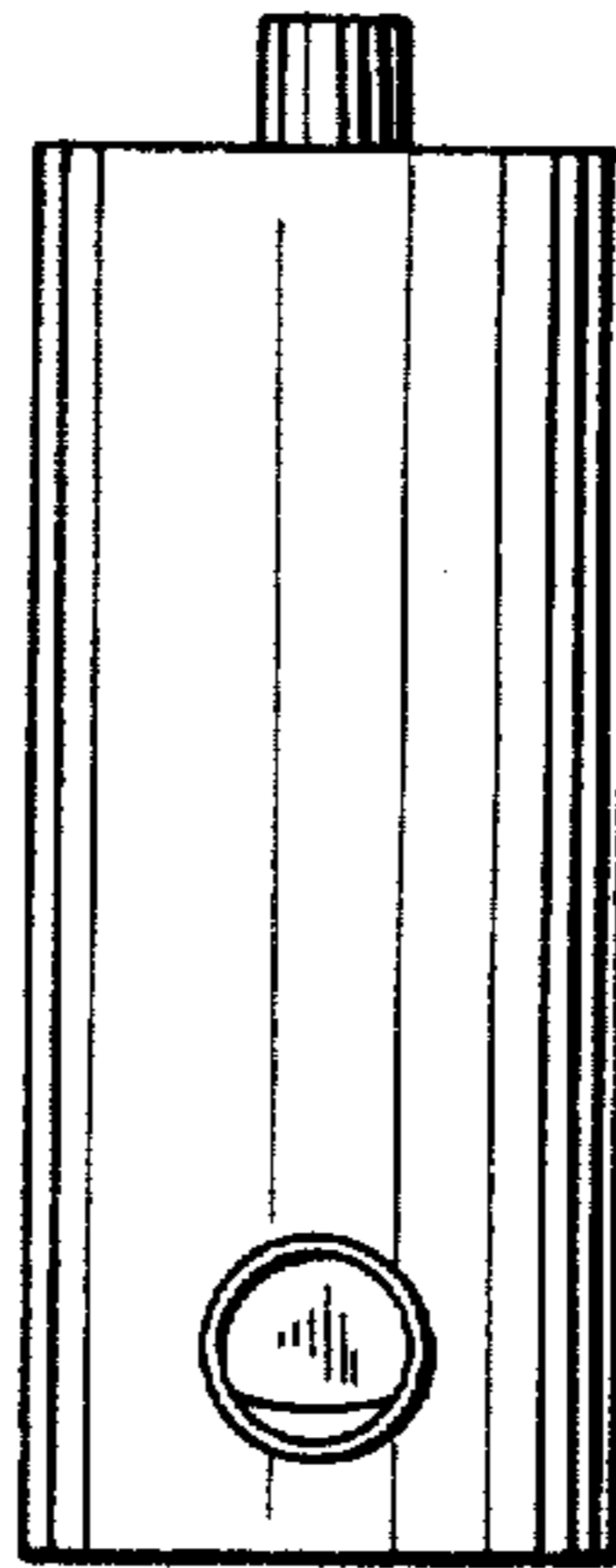


FIG. 6

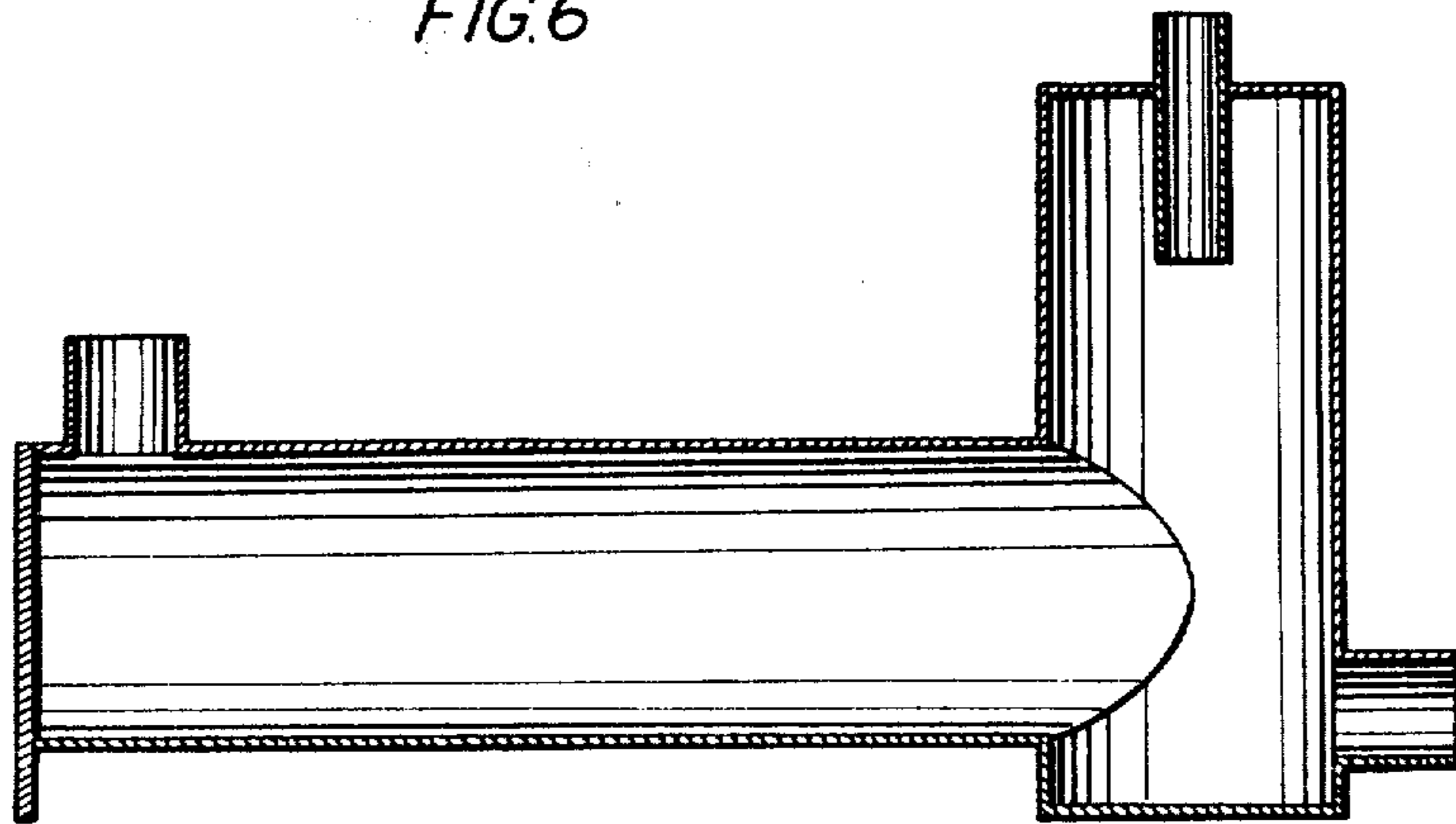


FIG. 7

