

[54] **FISHING REEL BAIL ARM**

[75] Inventors: **Kanji Iinuma; Kyoichi Kaneko**, both of Tokyo, Japan

[73] Assignee: **Daiwa Seiko, Inc.**, Tokyo, Japan

[**] Term: **14 Years**

[21] Appl. No.: **321,014**

[22] Filed: **Nov. 13, 1981**

[30] **Foreign Application Priority Data**

May 29, 1981 [JP] Japan 56-23668

[51] Int. Cl. **D22-05**

[52] U.S. Cl. **D22/25**

[58] Field of Search 242/84.2 G, 84.2 K; D22/25

[56] **References Cited**

U.S. PATENT DOCUMENTS

D. 259,205 5/1981 Doi et al. D22/25
4,171,108 10/1979 Ishida et al. 242/84.2 G

FOREIGN PATENT DOCUMENTS

8000716 8/1980 Netherlands 242/84.2 G

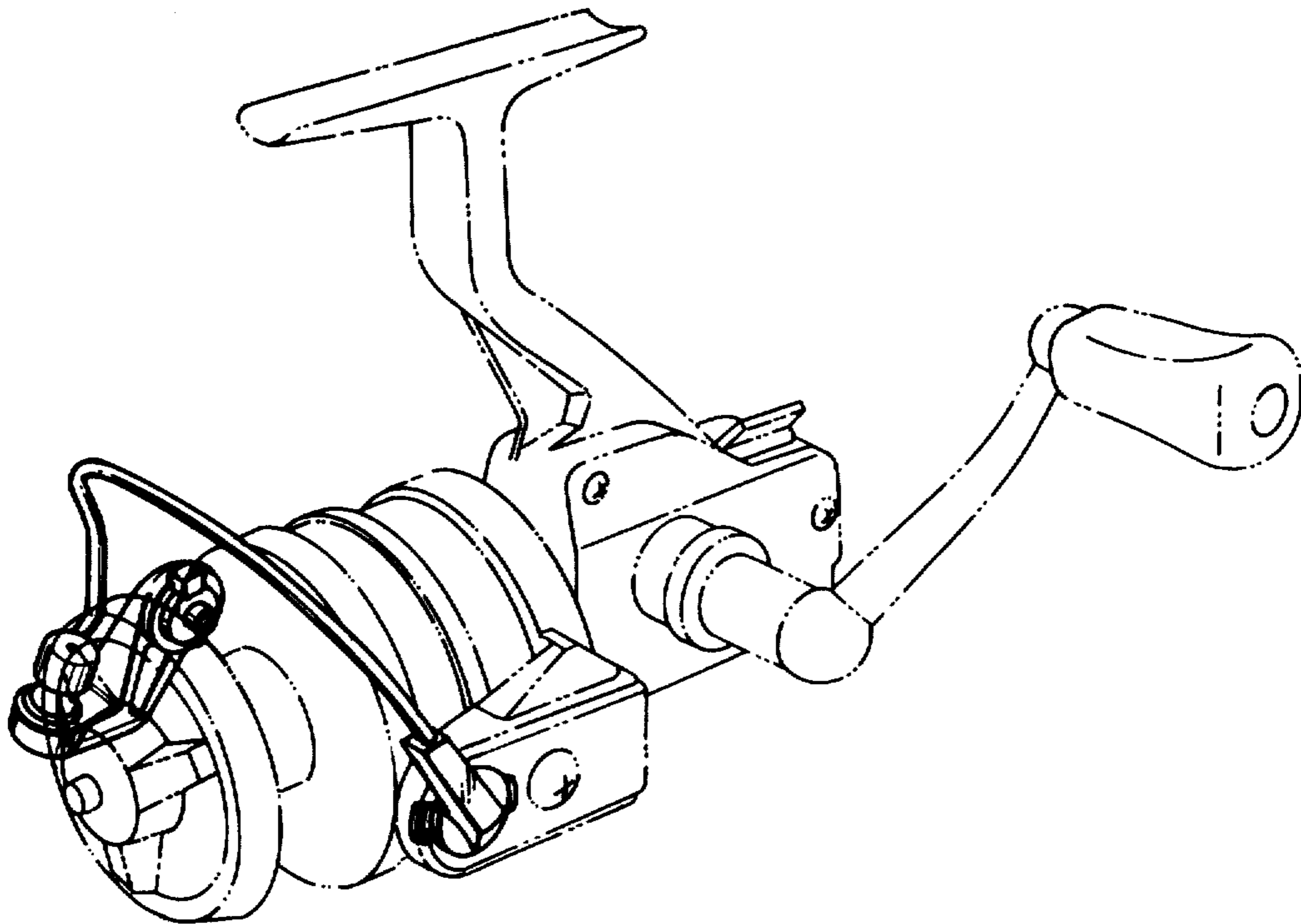
Primary Examiner—A. Hugo Word
Attorney, Agent, or Firm—Sughrue, Mion, Zinn, Macpeak & Seas

[57] **CLAIM**

The ornamental design for a fishing reel bail arm, as shown and described.

DESCRIPTION

FIG. 1 is a front, top and right side perspective view of a fishing reel bail arm showing our new design; FIG. 2 is a right side elevational view thereof; FIG. 3 is a left side elevational view thereof; FIG. 4 is a front elevational view thereof; FIG. 5 is a rear elevational view thereof; FIG. 6 is a top plan view thereof; FIG. 7 is a bottom plan view thereof; and FIG. 8 is a further right side elevational view thereof. The reel shown in broken lines in FIGS. 1 and 8 is disclosed for illustrative purposes only and forms no part of the claimed design.



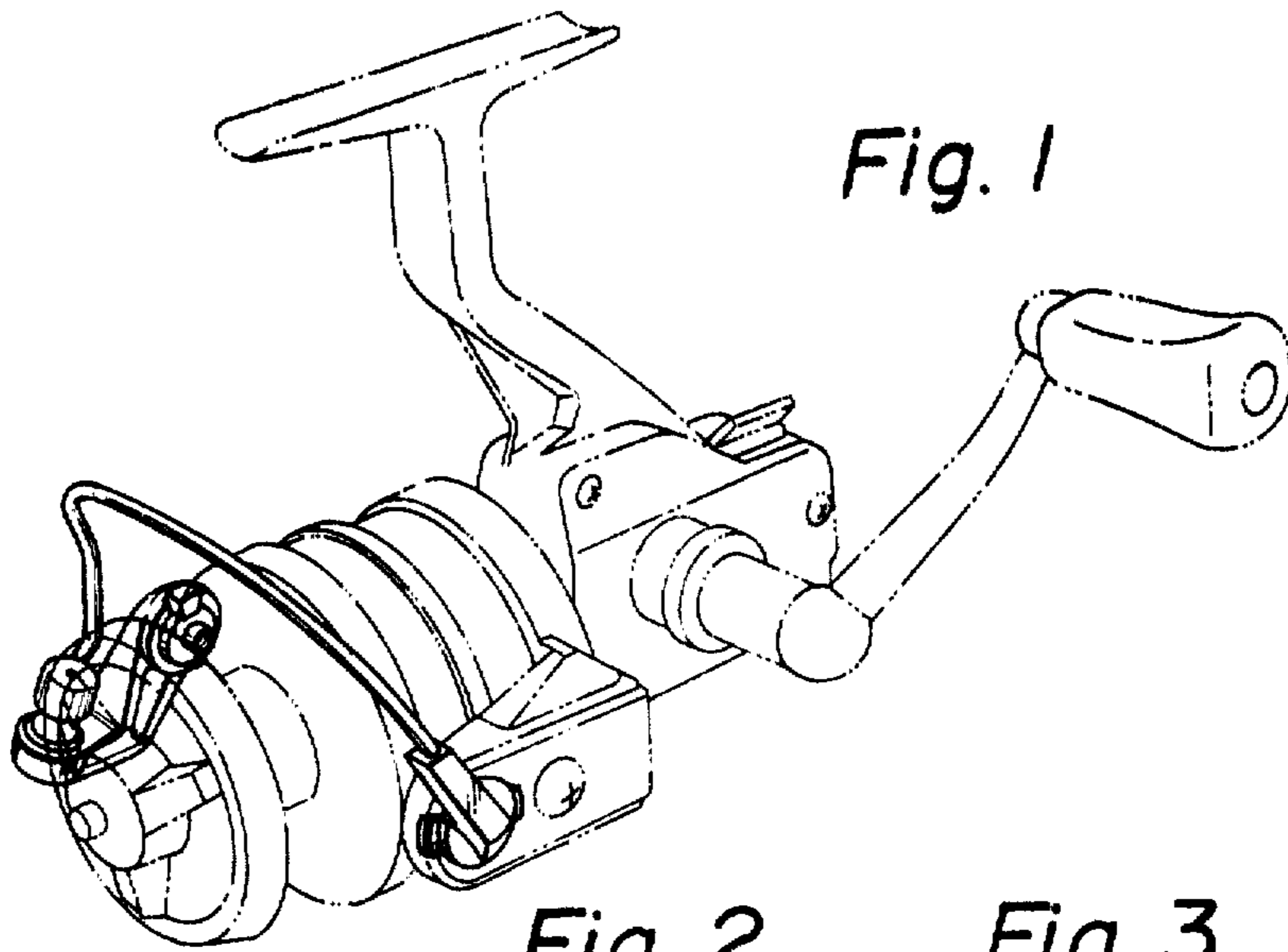


Fig. 2

Fig. 3

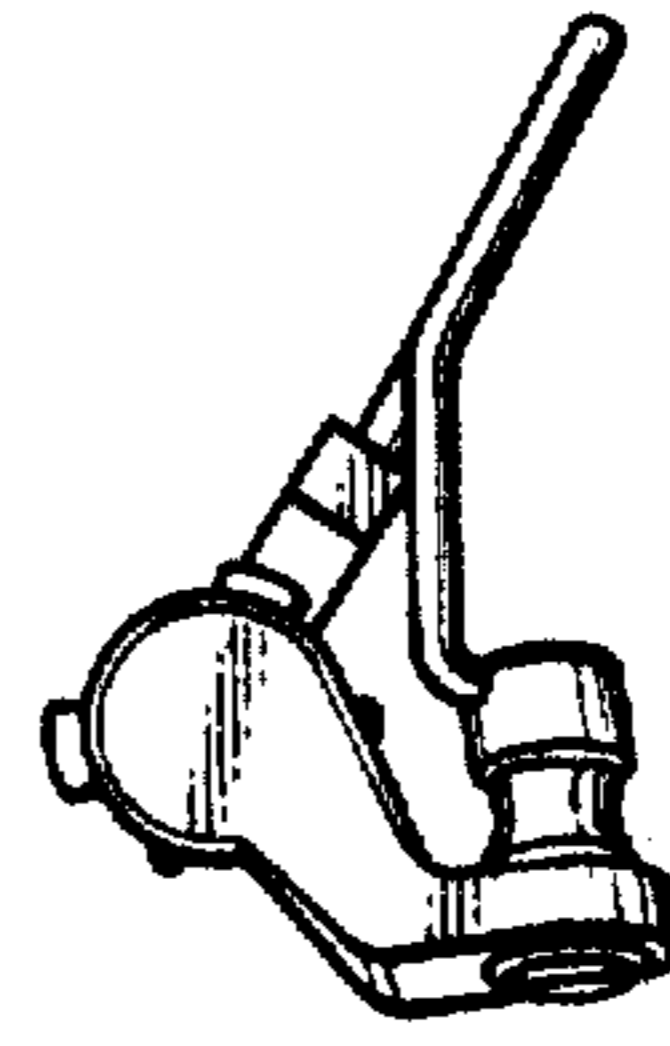
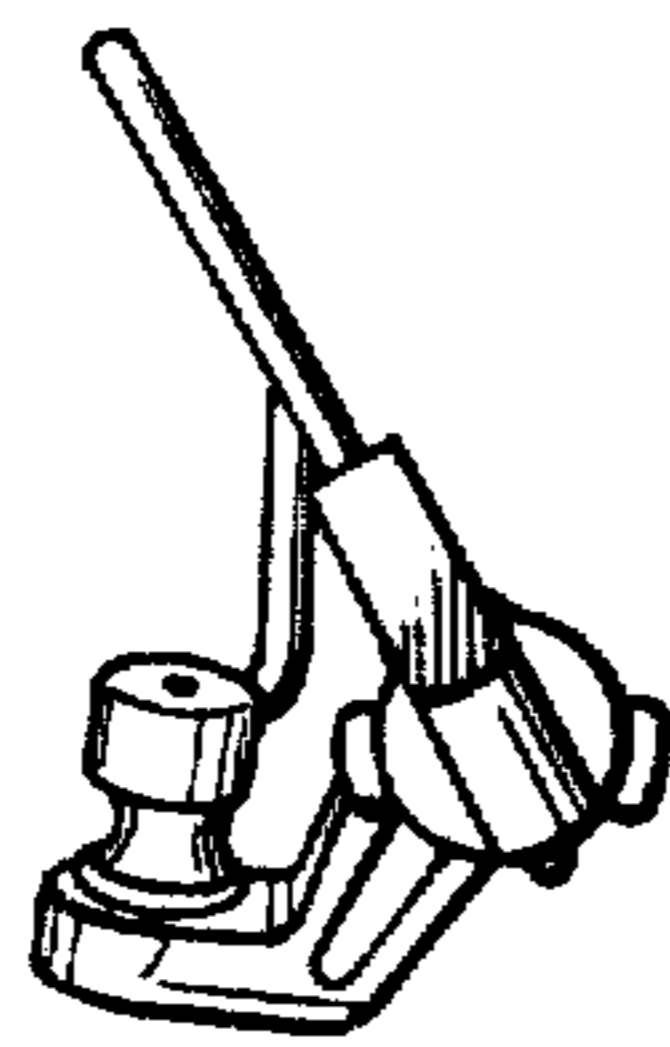


Fig. 4

Fig. 5

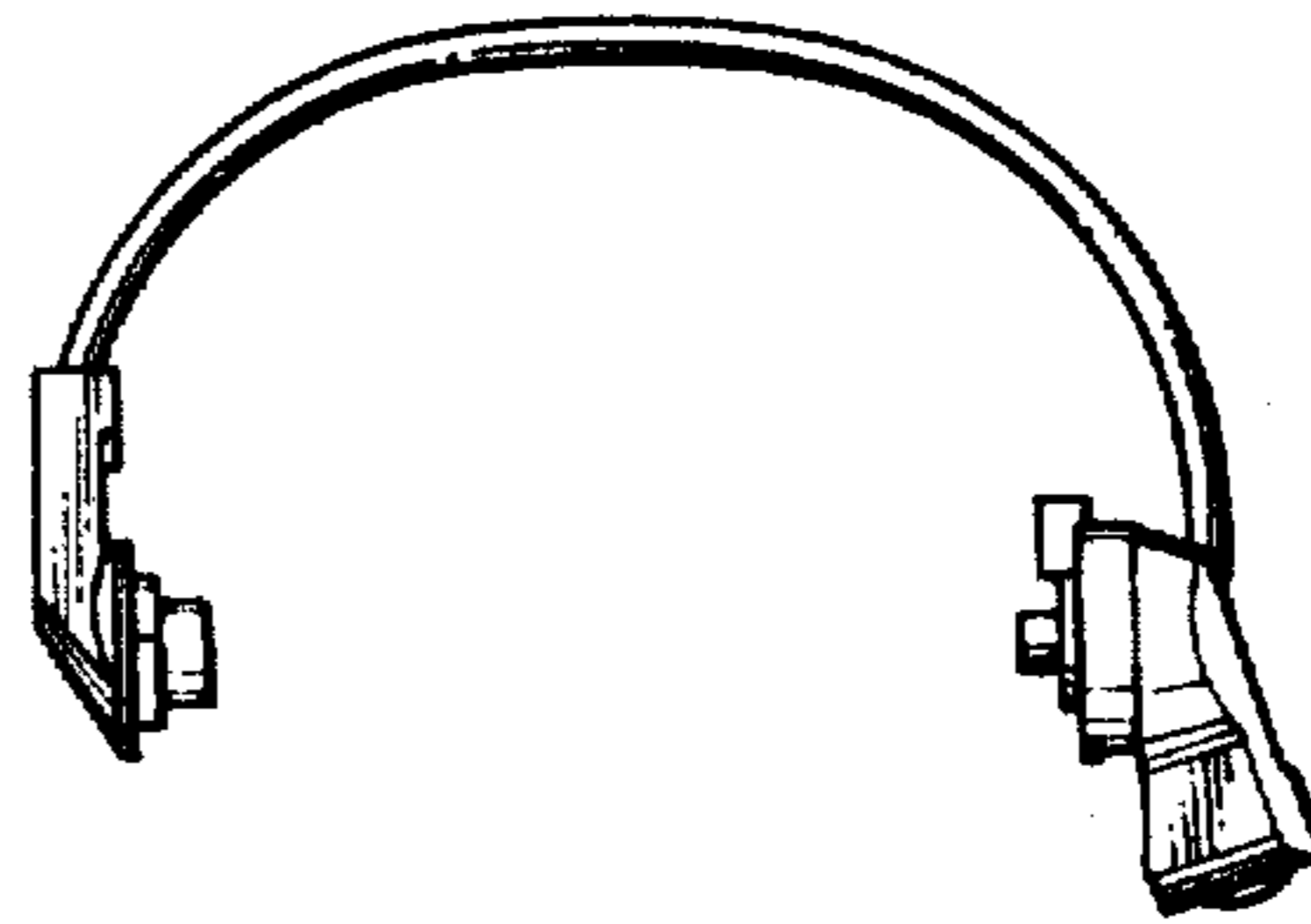
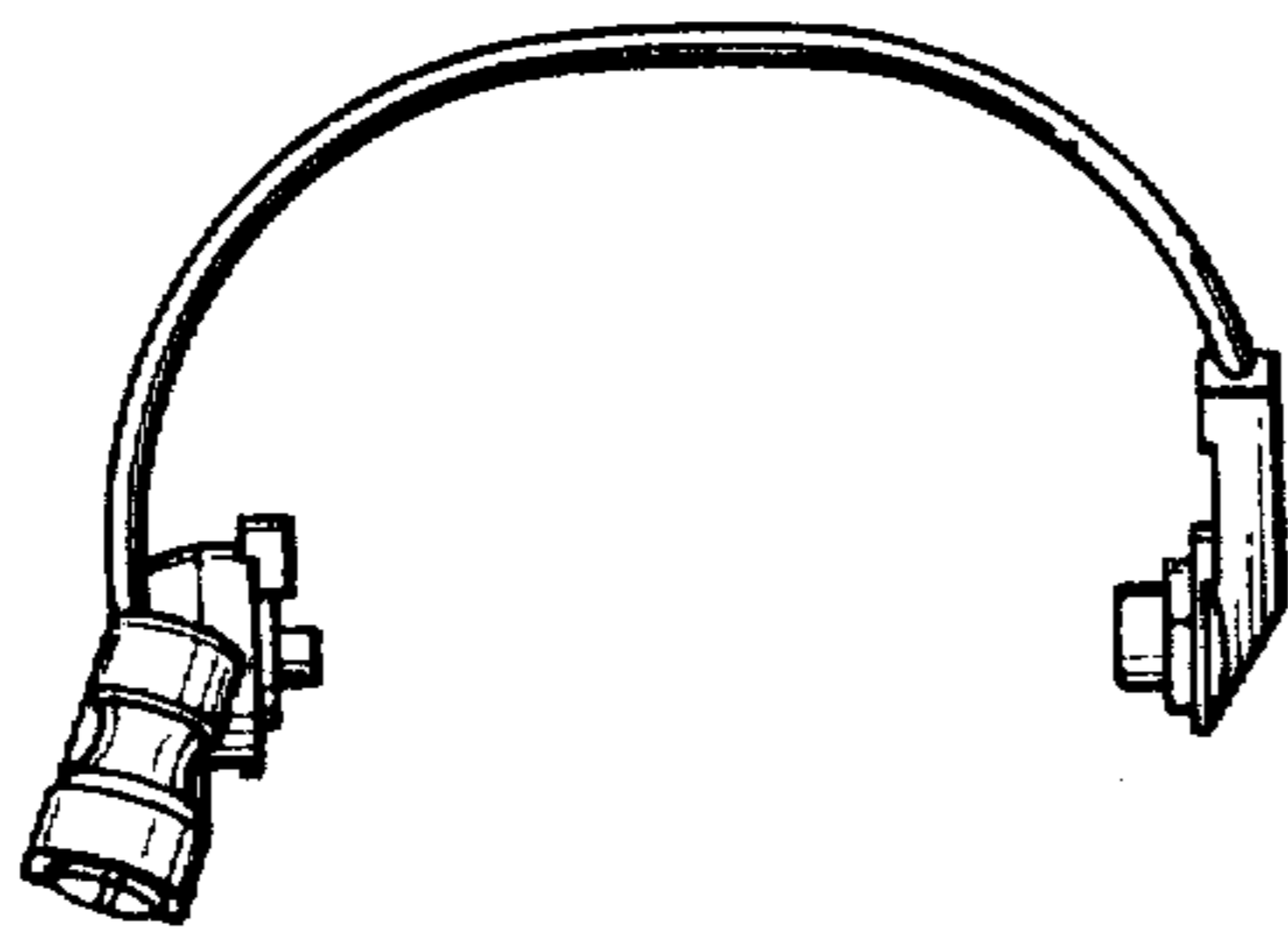


Fig. 6



Fig. 7

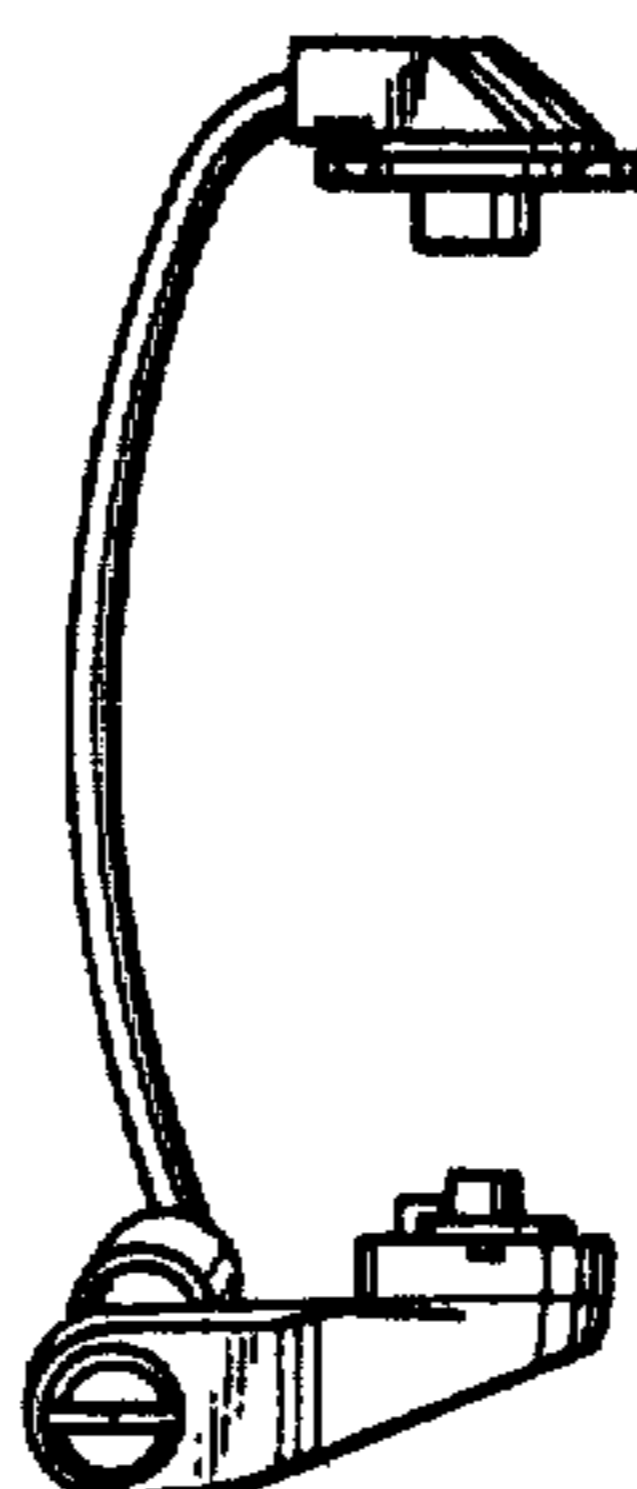


Fig. 8

